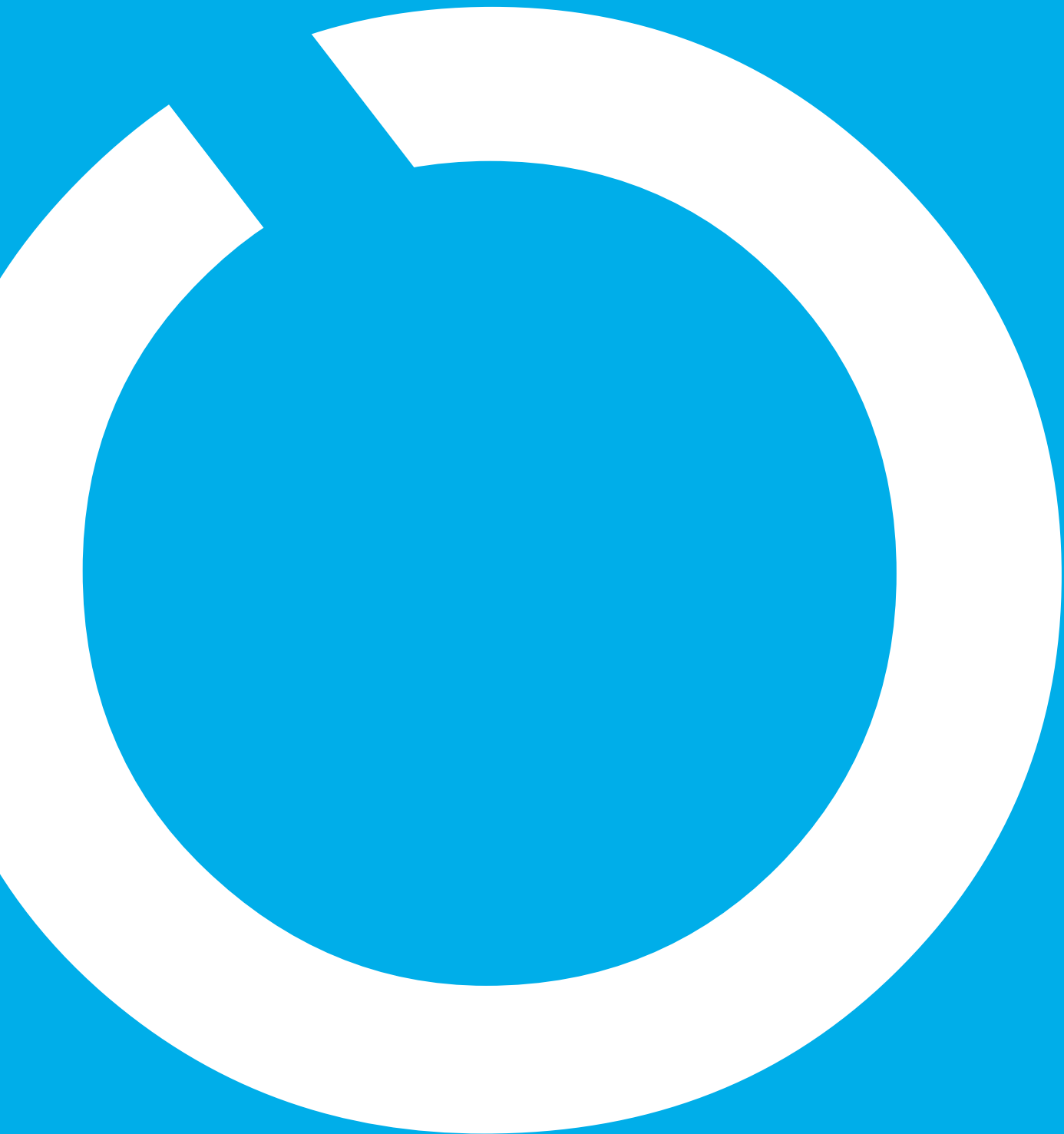


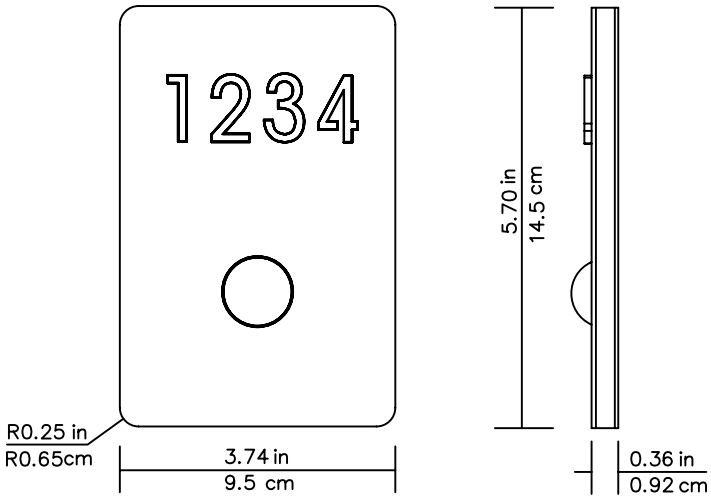
Modern
LED Architectural Lights



LED Panel 1 is a system of architectural signage.
Finished in brushed 316 stainless steel available in five LED colors.

Panel 1	Model: LUX-1-DB
Material:	316 Stainless / Acrylic
Finish:	Brushed SS
Bulbs:	5 x Cree LED
Current:	.040A at 12 V DC
Power:	8 - 16 Volt AC, 10 - 12 DC
Colors:	B (Blue), G (Green), A (Amber) W (White), R (Red)
Dimensions:	W: 3.74" x H: 5.7", D: 0.36" W: 9.5, H: 14.5, D: 0.92

Technical Specs:



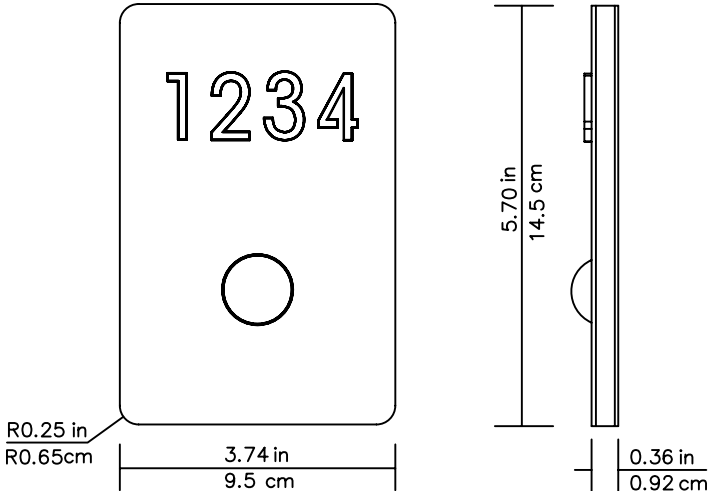
Product Details:



LED Panel 2 is a system of architectural signage.
 Finished in IP Black 316 stainless steel available in five LED colors.

Panel 2	Model: LUX-2-DB
Material:	316 Stainless / Acrylic
Finish:	IP - Black, Gold, Blue, CC
Bulbs:	5 x Cree LED
Current:	.040A at 12 V DC
Power:	8 - 16 Volt AC, 10 - 12 DC
Colors:	B (Blue), G (Green), A (Amber) W (White), R (Red)
Dimensions:	W: 3.74" x H: 5.7", D: 0.36" W: 9.5, H: 14.5, D: 0.92

Technical Specs:



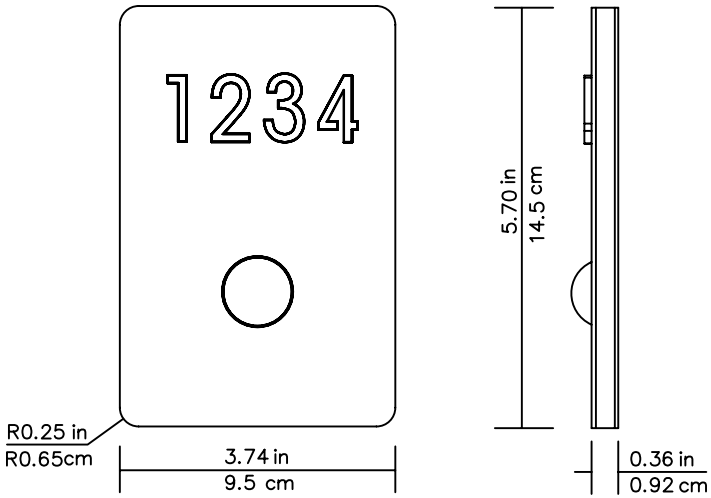
Product Details:



LED Panel 3 is a system of architectural signage.
 Finished in Powder Coat 316 stainless steel available in five LED colors.

Panel 3	Model: LUX-3-DB
Material:	316 Stainless / Acrylic
Finish:	Powder Coat White, or CC
Bulbs:	5 x Cree LED
Current:	.040A at 12 V DC
Power:	8 - 16 Volt AC, 10 - 12 DC
Colors:	B (Blue), G (Green), A (Amber) W (White), R (Red)
Dimensions:	W: 3.74" x H: 5.7", D: 0.36" W: 9.5, H: 14.5, D: 0.92

Technical Specs:



Product Details:



Round 1 is part of a collection of architectural recessed LED lights. they have a very low energy consumption, with a powerful 1 Watt LED.

Round 1	Model: LUX-RD1-DR
Material:	Aluminum alloy, PMMA
Bulbs:	1W Cree LED
Current:	350mA
Driver:	100 - 240 VAC 50/60hz
Watts:	1W *
Colors:	B (Blue), G (Green), A (Amber) W (White), R (Red)
Gross weight:	150 g
Size (mm):	D: 64, W: 64, H: 64



Round 2 is part of a collection of architectural recessed LED lights. they have a very low energy consumption, with a powerful 1 Watt LED.

Round 2	Model: LUX-RD2-DR
Material:	Aluminum alloy
Bulbs:	1W Cree LED
Current:	350mA
Driver:	100 - 240 VAC 50/60hz
Watts:	1W *
Colors:	B (Blue), G (Green), A (Amber) W (White), R (Red)
Gross weight:	120 g
Size (mm):	D: 55, W: 55, H: 59



Square 1 is part of a collection of architectural recessed LED lights. they have a very low energy consumption, with a powerful 1 Watt LED.

Square 1	Model: LUX-SQ1-DR
Material:	Aluminum alloy, PMMA
Bulbs:	1W Cree LED
Current:	350mA
Driver:	100 - 240 VAC 50/60hz
Watts:	1W *
Colors:	B (Blue), G (Green), A (Amber) W (White), R (Red)
Gross weight:	150 g
Size (mm):	D: 55, W: 55, H: 54



Square 2 is part of a collection of architectural recessed LED lights. they have a very low energy consumption, with a powerful 1 Watt LED.

Square 2	Model: LUX-SQ2-DR
Material:	Aluminum alloy
Bulbs:	1W Cree LED
Current:	350mA
Driver:	100 - 240 VAC 50/60hz
Watts:	1W *
Colors:	B (Blue), G (Green), A (Amber) W (White), R (Red)
Gross weight:	145 g
Size (mm):	D: 55, W: 55, H: 59

