

The Fosnova logo features a stylized icon of four vertical bars of varying heights to the left of the brand name "Fosnova" in a bold, white, sans-serif font.

**Fosnova**

**LED 2023/2024**

The Disano Group logo consists of the word "disano" in a grey, lowercase, sans-serif font, followed by a circular icon with a grid pattern, and the word "GROUP" in a grey, uppercase, sans-serif font.

**disano**  **GROUP**





# 2023/2024



## Environmental advantages

- Extremely long working life (50.000 h)
- Reduced maintenance costs
- Growing efficiency
- Instant switch-on mode
- Dimming option with no colour temperature variations
- Filter-free direct coloured light emission
- Complete colour spectrum
- Dynamic colour control mode (DMX, DALI)
- Can be switched on also at low temperature rates (-35°C)
- Low-voltage DC power supply
- Unidirectional light emission (light is shed only upon the desired object or area)
- Photobiological safety.



## General advantages

- Mercury-free
- No IR or UV components can be found in the visible light spectrum
- Reduced use of renewable and non-renewable energy sources
- Environment enhancement
- No light pollution
- Less power
- Less power installed in each lighting point



## Design-related advantages

- Wide choice of design solutions
- Bright, saturated colours
- Vibration resistant lights



## Advantages for users













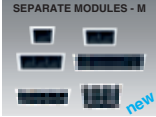

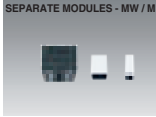

- A wide range of different colours together with compact and flexible modules enable many creative and innovative design solutions.
- Lower energy consumption, longer working life and reduced maintenance facilitate the creation of interesting applications.
- Excellent reliability guarantees safety even in difficult operating conditions

Floodlights


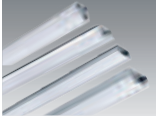
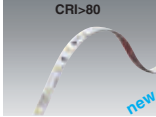
 DIP SWITCH <i>new</i>	 DIP SWITCH <i>new</i>	 DIP SWITCH <i>new</i>	 DIP SWITCH <i>new</i>	 DIP SWITCH <i>new</i>	 DIP SWITCH <i>new</i>	 DIP SWITCH <i>new</i>	 DIP SWITCH <i>new</i>
Matrix Q p. 6				Focus p. 14			
 DIP SWITCH <i>new</i>	 <i>new</i>	 <i>new</i>	 <i>new</i>	 DIP SWITCH <i>new</i>	 <i>new</i>	 <i>new</i>	 <i>new</i>
Asso p. 38				Vision 2.0 p. 50			
 DIP SWITCH <i>new</i>	 DIP SWITCH <i>new</i>	 DIP SWITCH <i>new</i>	 DIP SWITCH <i>new</i>	 <i>new</i>	 <i>new</i>		
Krypton B p. 58			Rio p. 60				

Recessed downlights


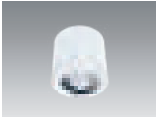
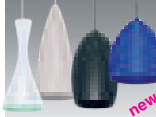


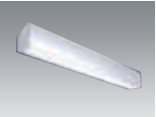











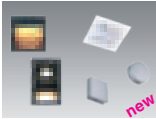

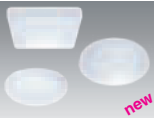
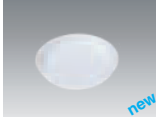



 DIP SWITCH <i>new</i>	 DIP SWITCH <i>new</i>	 DIP SWITCH <i>new</i>	 DIP SWITCH <i>new</i>	 DIP SWITCH <i>new</i>	 DIP SWITCH <i>new</i>	 DIP SWITCH <i>new</i>	 DIP SWITCH <i>new</i>
Eco Lex p. 64	Eco Lex Q p. 70	Energy p. 72	Saving p. 76	Techno B p. 80	Studio p. 88	Studio B p. 90	Office p. 92
 UGR	 DIP SWITCH <i>new</i>	 <i>new</i>	 <i>new</i>	 <i>new</i>	 DIP SWITCH <i>new</i>	 <i>new</i>	 <i>new</i>
Milano small-big p. 102	Milano p. 104	Milano Multicolor p. 106	Milano Small T-Q p. 107	Jet - IP65 p. 110	Jet - IP44 p. 112	Jet - MATT p. 116	Antares IP p. 119
 <i>new</i>	 <i>new</i>	 <i>new</i>	 <i>new</i>	 DIP SWITCH <i>new</i>	 <i>new</i>	 DIP SWITCH <i>new</i>	 <i>new</i>
Tecno Lex p. 119	Slim Lex P p. 120	Slim Lex p. 122	Speaker p. 126	Luthor p. 128	Snow IP65 p. 134	Snow 50-70-111 p. 136	Snow 5 p. 138
 <i>new</i>	 <i>new</i>	 <i>new</i>	 <i>new</i>	 <i>new</i>	 <i>new</i>	 <i>new</i>	 <i>new</i>
Snow 2x-3x p. 139	iSpot p. 140	iSpot Tech p. 142	iSpot Architectural p. 143	New iSpot Comfort p. 144	iSpot Hotel p. 146	Low Glare 1-2 p. 148	Sun T-Q p. 150
 <i>new</i>	 <i>new</i>	 <i>new</i>	 <i>new</i>	 <i>new</i>	 <i>new</i>	 <i>new</i>	 <i>new</i>
Marte p. 156	Spot Box Marte p. 161	Fenix p. 162	Sirio p. 164	Eco Deimos p. 165	Eco Janus p. 166	Swing p. 167	Swing big p. 167
 <i>new</i>	 <i>new</i>	 <i>new</i>	 <i>new</i>	 <i>new</i>	 <i>new</i>	 <i>new</i>	 <i>new</i>
Trimless A p. 168			Trimless B p. 174			Nizza p. 180	
 HE <i>new</i>	 <i>new</i>	 <i>new</i>	 DIP SWITCH <i>new</i>	 <i>new</i>	 DIP SWITCH <i>new</i>	 <i>new</i>	 DIP SWITCH <i>new</i>
Toledo UGR<19 p. 184	Toledo UGR<22 p. 186	Pannello B p. 190	Pannello B p. 192	PanelTech p. 194	PanelTech p. 196	PanelTech HE p. 198	PanelTech HE p. 198
 <i>new</i>	 <i>new</i>						
PanelTech HP p. 200	Eco Pannello p. 201						

							
HE p. 214	Dark Light p. 224	Comfort p. 226	Diffuser p. 230	Trimless p. 232	p. 234	TW - HCL p. 242	UV p. 246
							
SQ p. 252 RT light blade p. 256	Wall p. 258	OR p. 262	Office Home Table p. 264 p. 266 p. 268	Recessed M p. 274	Recessed W p. 277	Ceiling p. 278	Spot Panel p. 280


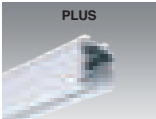
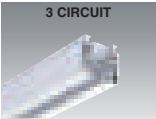


Systems

							
Sintesi System p. 284	Sintesi System p. 286	Sintesi System p. 288	Sintesi System p. 290	Sintesi System p. 292	Sintesi System p. 294	BoreaLED p. 296	Micro Liset p. 298
							
Profile p. 300	Strip p. 304	Strip p. 306	Strip p. 308	Strip p. 310	Strip p. 310	Strip p. 312	

Luminaires

							
Vision 2.0 p. 316	Themis p. 320	Stilo p. 324	Bell p. 326	Slim 3 p. 330	Venere p. 334	Slimcover p. 338	Cover Light p. 339
							
Ines p. 340	Curve p. 341	CurveLine p. 342	Taco p. 343	V Moon p. 343	Buddy p. 344	Roby 2.0 p. 345	Solus p. 345
							
Flat p. 346	Hecto p. 346	Tile p. 347	Vertical Line p. 347	Cortesia Mistral Pathway p. 348 p. 348 p. 350	Anello Domitilla p. 351 p. 351	Cosmic p. 352	Mini Pastilla Pastilla p. 354 p. 356
							
Tortuga p. 362	Argon p. 364	Lucente p. 366		Sevilla p. 370			



Powered tracks

				
Techno Track p. 378	Omnitrack p. 384	Omnitrack p. 390	Omnitrack p. 390	Omnitrack p. 394

Technical components

				
Light management systems p. 396	Waterproof boxes and DMX systems p. 398	Power supply and dimmable power supply p. 399	EMergency p. 400	Replacement LED lamps p. 402

Info

	
Pictographs p. 406	Index p. 408
International distribution network p. 416	



## MATRIX Q



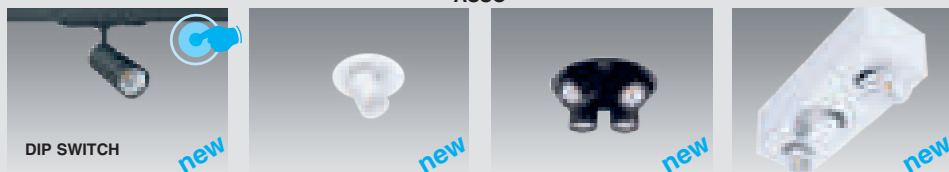
[Matrix Q](#) p. 6

## FOCUS



[Focus](#) p. 14

## ASSO



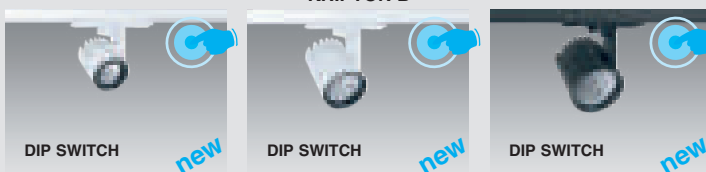
[Asso](#) p. 38

## VISION 2.0



[Vision 2.0](#) p. 50

## KRIPTON B



[Krypton B](#) p. 58

## RIO



[Rio](#) p. 60



This version features a particular shape and a design with clean lines that can meet different architectonic lighting needs using high colour rendering LEDs. It is an all-new spotlight, which is entirely adjustable for an extraordinarily effective lighting project that adds value to any space and object.

**Housing:** in die-cast aluminium.

**Optic compartment:** front in black polycarbonate (the white colour version is available upon request).

**Lens:** in PMMA with high efficiency output and very low glare rate.

**Equipment:** supplied with universal adapter in track mounted versions.

**LED:** high-efficiency light sources (**CRI>90**).  
Photobiological safety class: exempt group.

**Upon request:** version with CASAMBI automation lighting control system.  
For further information see chapter *Technical components*.

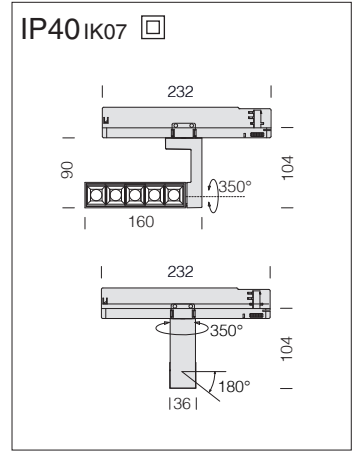
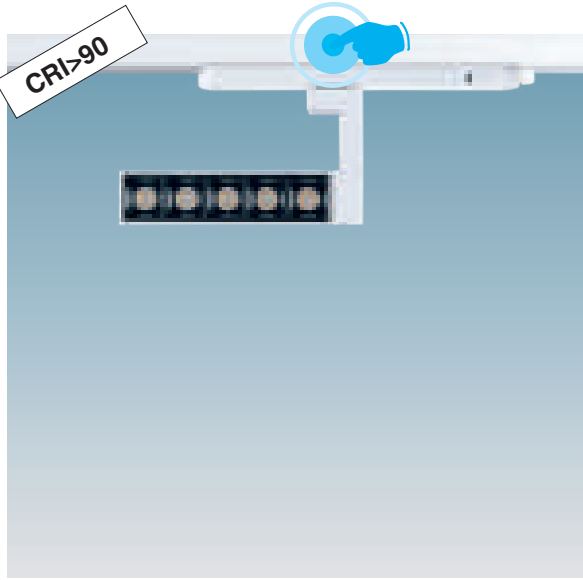
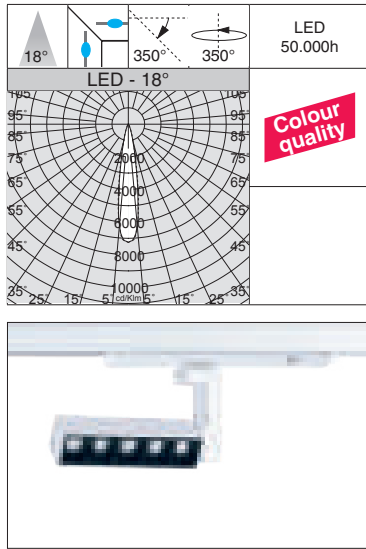




## ADAPT THE CURRENT TO ACHIEVE OPTIMAL LUMINOUS FLUX

**DIP SWITCH SETTING:** the fixture comes with a *DIP SWITCH* driver for **THE SETTING OF THE OUTPUT CURRENT**. In this way you, can **ENSURE THE BEST LUMINOUS FLUX** for any lighting design.

The possibility to choose the correct drive current for LEDs will allow you to have the right power under specific design conditions. Using a lower current will improve the efficiency of fixtures and therefore increase energy savings, whilst a higher current will result in a higher light flux so that you can reduce the number of fixtures.



**LED:** luminous flux maintenance 80%: 50.000h (L80B20). Power factor >0.95.

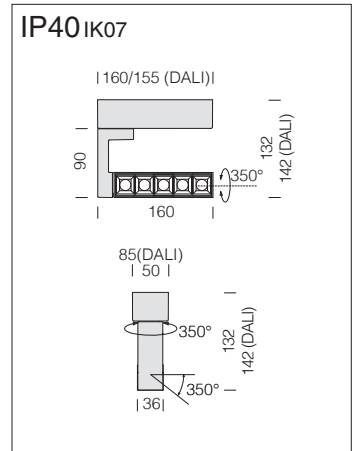
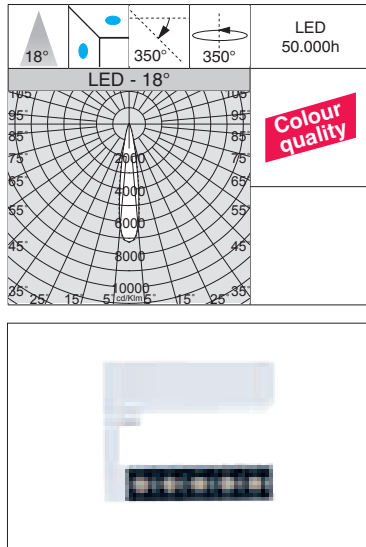
Matrix Q5 Dark "C" - universal adapter						
		CLD		LUMEN OUTPUT (tq= 25 °C)		
LED	colour	weight	code	I out	W tot	K - ølm - CRI - degrees
LED	white	0,20	22103311-39	700	12	3000K - 874lm - CRI>90 - 18°
			22103311-00			4000K - 920lm - CRI>90 - 18°

Upon request: DALI 1241 and -3941 dimmable version to be used with OMNITRACK PLUS track-mounted system.

DIP SWITCH SETTING		
LUMEN OUTPUT (tq= 25 °C)		
I out	W tot	K - ølm - CRI - degrees
600	10	3000K - 722lm - CRI>90 - 18°
650	11	3000K - 779lm - CRI>90 - 18°
700	12	3000K - 874lm - CRI>90 - 18°

DIP SWITCH SETTING		
LUMEN OUTPUT (tq= 25 °C)		
I out	W tot	K - ølm - CRI - degrees
600	10	4000K - 760lm - CRI>90 - 18°
650	11	4000K - 820lm - CRI>90 - 18°
700	12	4000K - 920lm - CRI>90 - 18°



**LED:** luminous flux maintenance 80%: 50.000h (L80B20). Power factor >0.95.

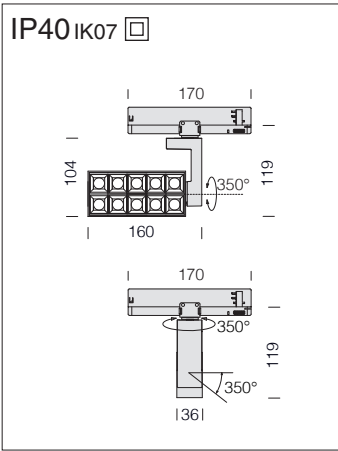
Matrix Q5 Dark "D" - base						
		CLD		LUMEN OUTPUT (tq= 25 °C)		
LED	colour	weight	code	I out	W tot	K - ølm - CRI - degrees
LED	white	0,80	22203310-39	700	12	3000K - 874lm - CRI>90 - 18°
			22203310-00			4000K - 920lm - CRI>90 - 18°

Upon request: DALI 1241 and -3941 dimmable version.

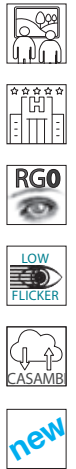
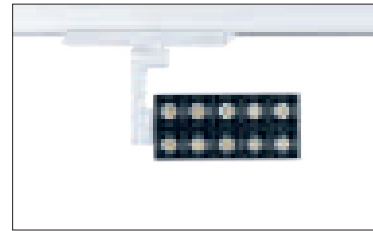
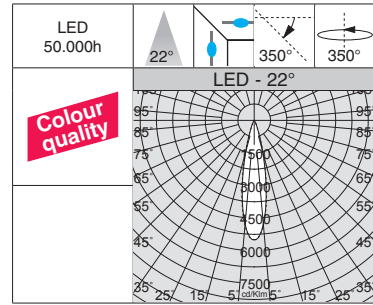
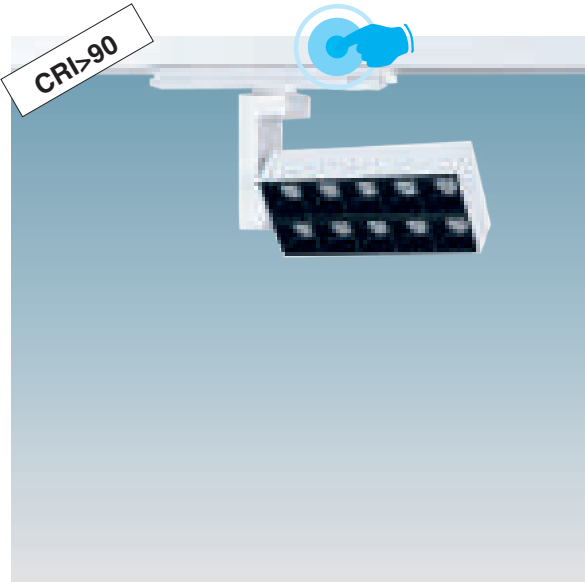
DIP SWITCH SETTING		
LUMEN OUTPUT (tq= 25 °C)		
I out	W tot	K - ølm - CRI - degrees
600	10	3000K - 722lm - CRI>90 - 18°
650	11	3000K - 779lm - CRI>90 - 18°
700	12	3000K - 874lm - CRI>90 - 18°

DIP SWITCH SETTING		
LUMEN OUTPUT (tq= 25 °C)		
I out	W tot	K - ølm - CRI - degrees
600	10	4000K - 760lm - CRI>90 - 18°
650	11	4000K - 820lm - CRI>90 - 18°
700	12	4000K - 920lm - CRI>90 - 18°



**LED:** luminous flux maintenance 80%: 50.000h (L80B20). Power factor >0.95.



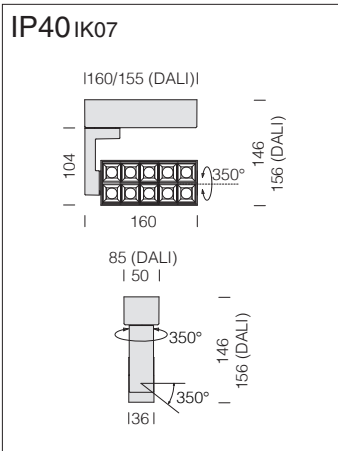
Matrix Q10 Dark "C" - universal adapter					
		CLD		LUMEN OUTPUT (tq= 25 °C)	
LED	colour	weight	code	I out	W tot
LED	white	0,30	22103611-39	600	20
			22103611-00		
				K - ølm - CRI - degrees	
				3000K - 1779lm - CRI>90 - 22°	
				4000K - 1873lm - CRI>90 - 22°	

Upon request: DALI 1241 and -3941 dimmable version to be used with OMNITRACK PLUS track-mounted system.

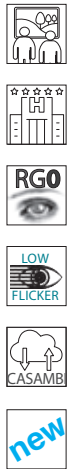
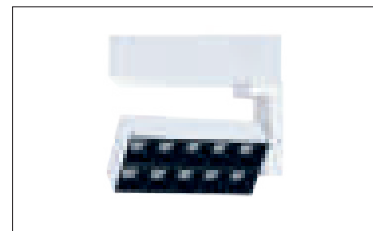
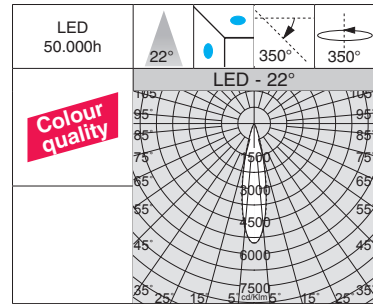
DIP SWITCH SETTING					
		LUMEN OUTPUT (tq= 25 °C)			
I out	W tot	K - ølm - CRI - degrees			
500	17	3000K - 1511lm - CRI>90 - 22°			
550	19	3000K - 1682lm - CRI>90 - 22°			
600	20	3000K - 1779lm - CRI>90 - 22°			

DIP SWITCH SETTING					
		LUMEN OUTPUT (tq= 25 °C)			
I out	W tot	K - ølm - CRI - degrees			
500	17	4000K - 1590lm - CRI>90 - 22°			
550	19	4000K - 1770lm - CRI>90 - 22°			
600	20	4000K - 1873lm - CRI>90 - 22°			



**LED:** luminous flux maintenance 80%: 50.000h (L80B20). Power factor >0.95.



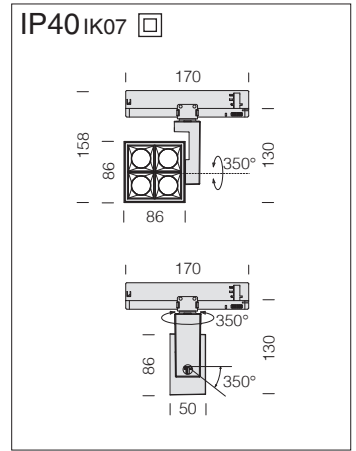
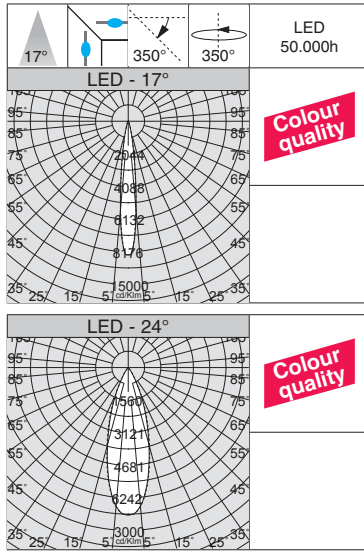
Matrix Q10 Dark "D" - base					
		CLD		LUMEN OUTPUT (tq= 25 °C)	
LED	colour	weight	code	I out	W tot
LED	white	0,90	22203610-39	600	20
			22203610-00		
				K - ølm - CRI - degrees	
				3000K - 1779lm - CRI>90 - 22°	
				4000K - 1873lm - CRI>90 - 22°	

Upon request: DALI 1241 and -3941 dimmable version.

DIP SWITCH SETTING					
		LUMEN OUTPUT (tq= 25 °C)			
I out	W tot	K - ølm - CRI - degrees			
500	17	3000K - 1511lm - CRI>90 - 22°			
550	19	3000K - 1682lm - CRI>90 - 22°			
600	20	3000K - 1779lm - CRI>90 - 22°			

DIP SWITCH SETTING					
		LUMEN OUTPUT (tq= 25 °C)			
I out	W tot	K - ølm - CRI - degrees			
500	17	4000K - 1590lm - CRI>90 - 22°			
550	19	4000K - 1770lm - CRI>90 - 22°			
600	20	4000K - 1873lm - CRI>90 - 22°			



**LED:** luminous flux maintenance 80%: 50.000h (L80B20). Power factor >0.95.

Matrix Q4 DARK "C" - universal adapter						
LED		CLD		LUMEN OUTPUT (tq= 25 °C)		
colour	weight	code	I out	W tot	K - ølm - CRI - degrees	
LED	white	0,40	22103710-39	500	19	3000K - 1353lm - CRI>90 - 17°
			22103710-00			4000K - 1424lm - CRI>90 - 17°

DIP SWITCH SETTING			LUMEN OUTPUT (tq= 25 °C)	
I out	W tot	K - ølm - CRI - degrees		
450	17	3000K - 1244lm	CRI>90 - 17°	
500	19	3000K - 1353lm	CRI>90 - 17°	
550	21	3000K - 1447m	CRI>90 - 17°	

LED	white	0,40	22103711-39	500	19	3000K - 1528lm - CRI>90 - 24°
			22103711-00			4000K - 1608lm - CRI>90 - 24°

DIP SWITCH SETTING			LUMEN OUTPUT (tq= 25 °C)	
I out	W tot	K - ølm - CRI - degrees		
450	17	4000K - 1310lm	CRI>90 - 17°	
500	19	4000K - 1424lm	CRI>90 - 17°	
550	21	4000K - 1523lm	CRI>90 - 17°	

DIP SWITCH SETTING			LUMEN OUTPUT (tq= 25 °C)	
I out	W tot	K - ølm - CRI - degrees		
450	17	3000K - 1405lm	CRI>90 - 24°	
500	19	3000K - 1528lm	CRI>90 - 24°	
550	21	3000K - 1634lm	CRI>90 - 24°	

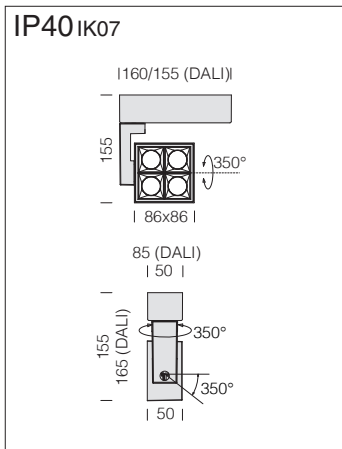
LED	white	0,40	22103712-39	500	19	3000K - 1622lm - CRI>90 - 38°
			22103712-00			4000K - 1707lm - CRI>90 - 38°

DIP SWITCH SETTING			LUMEN OUTPUT (tq= 25 °C)	
I out	W tot	K - ølm - CRI - degrees		
450	17	4000K - 1479lm	CRI>90 - 24°	
500	19	4000K - 1608lm	CRI>90 - 24°	
550	21	4000K - 1720lm	CRI>90 - 24°	

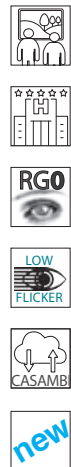
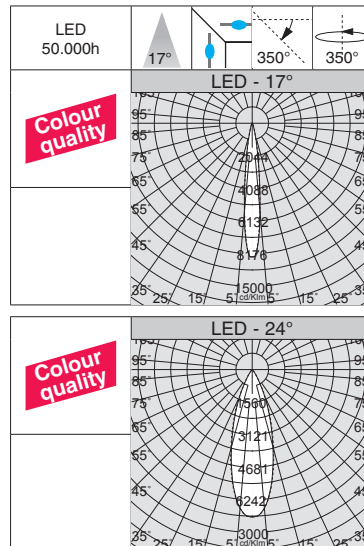
DIP SWITCH SETTING			LUMEN OUTPUT (tq= 25 °C)	
I out	W tot	K - ølm - CRI - degrees		
450	17	3000K - 1492lm	CRI>90 - 38°	
500	19	3000K - 1622lm	CRI>90 - 38°	
550	21	3000K - 1735lm	CRI>90 - 38°	

Upon request: DALI -1241 and -3941 dimmable version to be used with OMNITRACK PLUS track-mounted system.

DIP SWITCH SETTING			LUMEN OUTPUT (tq= 25 °C)	
I out	W tot	K - ølm - CRI - degrees		
450	17	4000K - 1570lm	CRI>90 - 38°	
500	19	4000K - 1707lm	CRI>90 - 38°	
550	21	4000K - 1826lm	CRI>90 - 38°	



**LED:** luminous flux maintenance 80%: 50.000h (L80B20). Power factor >0.95.



Matrix Q4 DARK "D" - base						
		CLD		LUMEN OUTPUT (tq= 25 °C)		
LED	colour	weight	code	I out	W tot	K - ølm - CRI - degrees
LED	white	1,00	22203710-39	500	19	3000K - 1353lm - CRI>90 - 17°
			22203710-00			4000K - 1424lm - CRI>90 - 17°

DIP SWITCH SETTING			LUMEN OUTPUT (tq= 25 °C)	
I out	W tot		K - ølm - CRI - degrees	
450	17		3000K - 1244lm - CRI>90 - 17°	
500	19		3000K - 1353lm - CRI>90 - 17°	
550	21		3000K - 1447m - CRI>90 - 17°	

LED	white	1,00	22203711-39	500	19	3000K - 1528lm - CRI>90 - 24°
			22203711-00			4000K - 1608lm - CRI>90 - 24°

DIP SWITCH SETTING			LUMEN OUTPUT (tq= 25 °C)	
I out	W tot		K - ølm - CRI - degrees	
450	17		4000K - 1310lm - CRI>90 - 17°	
500	19		4000K - 1424lm - CRI>90 - 17°	
550	21		4000K - 1523lm - CRI>90 - 17°	

DIP SWITCH SETTING			LUMEN OUTPUT (tq= 25 °C)	
I out	W tot		K - ølm - CRI - degrees	
450	17		3000K - 1405lm - CRI>90 - 24°	
500	19		3000K - 1528lm - CRI>90 - 24°	
550	21		3000K - 1634lm - CRI>90 - 24°	

DIP SWITCH SETTING			LUMEN OUTPUT (tq= 25 °C)	
I out	W tot		K - ølm - CRI - degrees	
450	17		4000K - 1479lm - CRI>90 - 24°	
500	19		4000K - 1608lm - CRI>90 - 24°	
550	21		4000K - 1720lm - CRI>90 - 24°	

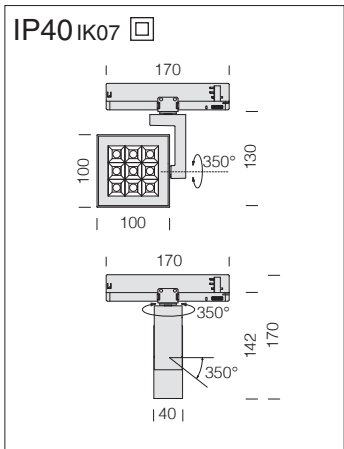
LED	white	1,00	22203712-39	500	19	3000K - 1622lm - CRI>90 - 38°
			22203712-00			4000K - 1707lm - CRI>90 - 38°

DIP SWITCH SETTING			LUMEN OUTPUT (tq= 25 °C)	
I out	W tot		K - ølm - CRI - degrees	
450	17		3000K - 1492lm - CRI>90 - 38°	
500	19		3000K - 1622lm - CRI>90 - 38°	
550	21		3000K - 1735lm - CRI>90 - 38°	

Upon request: 1/10V, DALI 1241 and -3941 dimmable version.

DIP SWITCH SETTING			LUMEN OUTPUT (tq= 25 °C)	
I out	W tot		K - ølm - CRI - degrees	
450	17		4000K - 1570lm - CRI>90 - 38°	
500	19		4000K - 1707lm - CRI>90 - 38°	
550	21		4000K - 1826lm - CRI>90 - 38°	





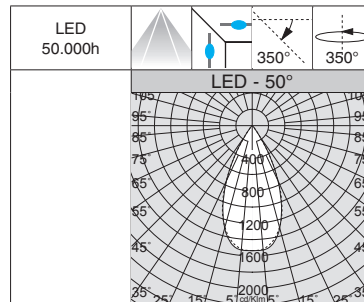
**LED:** luminous flux maintenance 80%: 50.000h (L80B20). Power factor >0.95.

**Matrix Q9 DARK "A" - DIP SWITCH - universal adapter**

		CLD		LUMEN OUTPUT (tq= 25 °C)	
LED	colour	weight	code	I out	W tot
LED	white	0,75	22103010-00	1050	28
	black		22103030-00		
LED	white	0,75	22103011-00	1050	28
	black		22103031-00		

LED	white	0,75	22103014-00	1050	28
	black		22103034-00		
LED	white	0,75	22103015-00	1050	28
	black		22103035-00		

**Upon request: DALI -1241** dimmable version to be used with **OMNITRACK PLUS** track-mounted system.

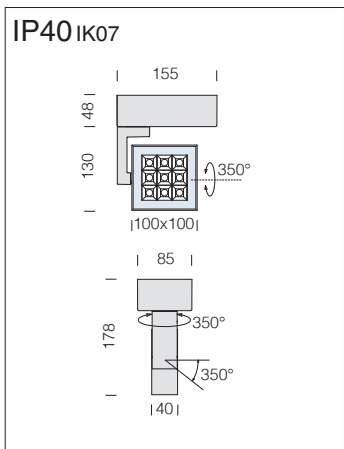
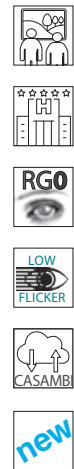


		LUMEN OUTPUT (tq= 25 °C)	
I out	W tot	K	ølm - CRI - degrees
900	25	3000K - 1885lm	CRI>80 - 32°
950	26	3000K - 1964lm	CRI>80 - 32°
1000	27	3000K - 2043lm	CRI>80 - 32°
1050	28	3000K - 2109lm	CRI>80 - 32°

		LUMEN OUTPUT (tq= 25 °C)	
I out	W tot	K	ølm - CRI - degrees
900	25	4000K - 1984lm	CRI>80 - 32°
950	26	4000K - 2067lm	CRI>80 - 32°
1000	27	4000K - 2150lm	CRI>80 - 32°
1050	28	4000K - 2220lm	CRI>80 - 32°

		LUMEN OUTPUT (tq= 25 °C)	
I out	W tot	K	ølm - CRI - degrees
900	25	3000K - 1951lm	CRI>80 - 50°
950	26	3000K - 2032lm	CRI>80 - 50°
1000	27	3000K - 2114lm	CRI>80 - 50°
1050	28	3000K - 2183lm	CRI>80 - 50°

		LUMEN OUTPUT (tq= 25 °C)	
I out	W tot	K	ølm - CRI - degrees
900	25	4000K - 2054lm	CRI>80 - 50°
950	26	4000K - 2140lm	CRI>80 - 50°
1000	27	4000K - 2226lm	CRI>80 - 50°
1050	28	4000K - 2298lm	CRI>80 - 50°



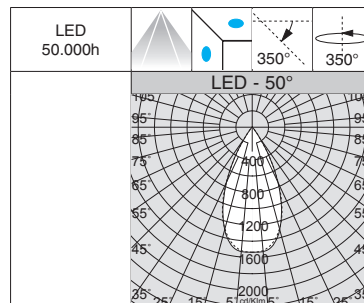
**LED:** luminous flux maintenance 80%: 50.000h (L80B20). Power factor >0.95.

**Matrix Q9 DARK "D" - base**

		CLD		LUMEN OUTPUT (tq= 25 °C)	
LED	colour	weight	code	I out	W tot
LED	white	1,10	22203010-00	1050	28
	black		22203030-00		
LED	white	1,10	22203011-00	1050	28
	black		22203031-00		

LED	white	1,10	22203014-00	1050	28
	black		22203034-00		
LED	white	1,10	22203015-00	1050	28
	black		22203035-00		

**Upon request: 1-10V** and **DALI -1241** dimmable version.

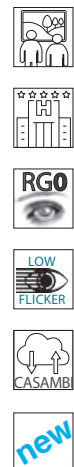


		LUMEN OUTPUT (tq= 25 °C)	
I out	W tot	K	ølm - CRI - degrees
900	25	3000K - 1885lm	CRI>80 - 32°
950	26	3000K - 1964lm	CRI>80 - 32°
1000	27	3000K - 2043lm	CRI>80 - 32°
1050	28	3000K - 2109lm	CRI>80 - 32°

		LUMEN OUTPUT (tq= 25 °C)	
I out	W tot	K	ølm - CRI - degrees
900	25	4000K - 1984lm	CRI>80 - 32°
950	26	4000K - 2067lm	CRI>80 - 32°
1000	27	4000K - 2150lm	CRI>80 - 32°
1050	28	4000K - 2220lm	CRI>80 - 32°

		LUMEN OUTPUT (tq= 25 °C)	
I out	W tot	K	ølm - CRI - degrees
900	25	3000K - 1951lm	CRI>80 - 50°
950	26	3000K - 2032lm	CRI>80 - 50°
1000	27	3000K - 2114lm	CRI>80 - 50°
1050	28	3000K - 2183lm	CRI>80 - 50°

		LUMEN OUTPUT (tq= 25 °C)	
I out	W tot	K	ølm - CRI - degrees
900	25	4000K - 2054lm	CRI>80 - 50°
950	26	4000K - 2140lm	CRI>80 - 50°
1000	27	4000K - 2226lm	CRI>80 - 50°
1050	28	4000K - 2298lm	CRI>80 - 50°





**Housing:** in die-cast aluminium. Optic compartment die-cast aluminum with anodized heatsink.

**Version with lens:** in PMMA with high efficiency output and very low glare rate.

**Version with reflector:** in high efficiency and anti-glare die-cast aluminium.

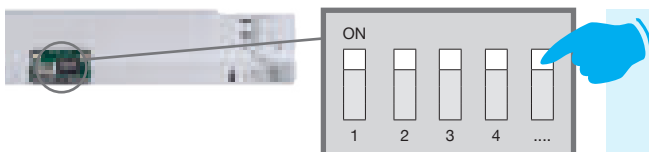
**Equipment:** supplied with universal adapter in track mounted versions. Complete with electronic power supply unit separated from the LEDs.

**LED:** high-efficiency light sources (**CRI 92**).

Photobiological safety class: exempt group.

**Upon request:** version with CASAMBI automation lighting control system.

For further information see chapter *Technical components*.



## ADAPT THE CURRENT TO ACHIEVE OPTIMAL LUMINOUS FLUX

**DIP SWITCH SETTING:** the fixture comes with a *DIP SWITCH* driver for **THE SETTING OF THE OUTPUT CURRENT**. In this way you, can **ENSURE THE BEST LUMINOUS FLUX** for any lighting design.

The possibility to choose the correct drive current for LEDs will allow you to have the right power under specific design conditions. Using a lower current will improve the efficiency of fixtures and therefore increase energy savings, whilst a higher current will result in a higher light flux so that you can reduce the number of fixtures.



Focus SLIM "Q" 5.0



Focus SLIM "Q" 7.0



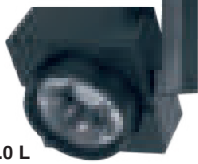
Focus SLIM "Q" 111



Focus 5.0 L



Focus 7.0 L



Focus 5.0 R



Focus 7.0 R



Focus SLIM "T" 5.0



Focus SLIM "T" 7.0



Focus SLIM "T" 111

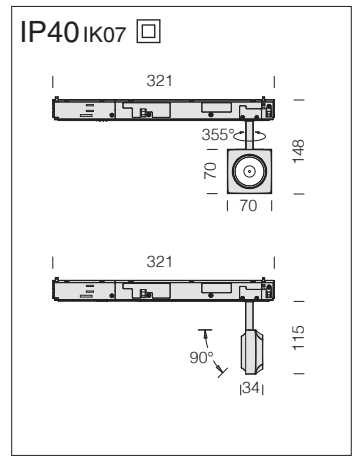
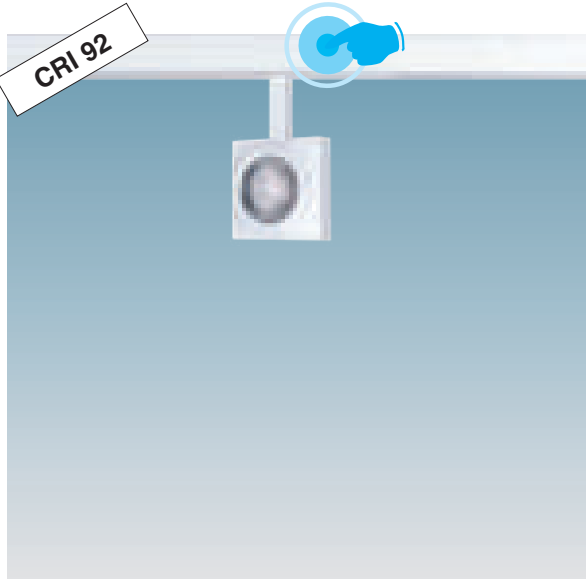
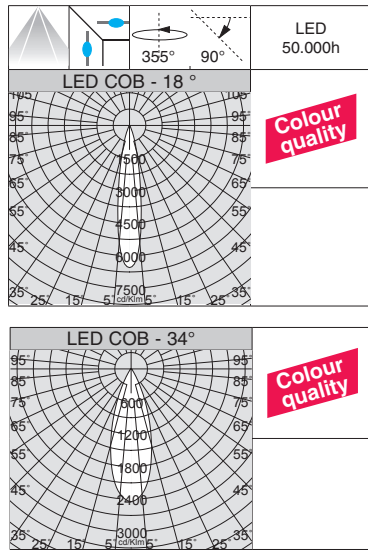


**Fosnova extends its range of spotlights with the low voltage models:**

available upon request the new 48V DC Focus SLIM spotlights mounted on low voltage Omnitrack MICRO systems make up the perfect lighting solution in settings where accent lighting with very low energy consumption must also reinforce the style and aesthetics of the room.

For more information visit [www.disano.it](http://www.disano.it)





**LED:** luminous flux maintenance 80%: 50.000h (L80B20). Power factor >0.95.

Focus SLIM "Q" 5.0 - DIP SWITCH - universal concealed adapter					
LED	colour	weight	CLD code	I out	W tot
COB	white	0,30	22109010-00	350	14
	black		22109030-00		
COB	white	0,30	22109010-68	350	14
	black		22109030-68		

DIP SWITCH SETTING		
I out	W tot	LUMEN OUTPUT (tq= 25 °C)
250	10	3000K - 1001lm - CRI 92 - 18°
300	12	3000K - 1170lm - CRI 92 - 18°
350	14	3000K - 1332lm - CRI 92 - 18°

DIP SWITCH SETTING		
I out	W tot	LUMEN OUTPUT (tq= 25 °C)
250	10	4000K - 1054lm - CRI 92 - 18°
300	12	4000K - 1232lm - CRI 92 - 18°
350	14	4000K - 1403lm - CRI 92 - 18°

COB	white	0,30	22109011-00	350	14
	black		22109031-00		
COB	white	0,30	22109011-68	350	14
	black		22109031-68		

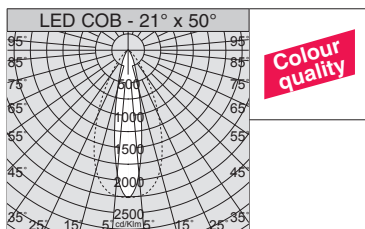
DIP SWITCH SETTING		
I out	W tot	LUMEN OUTPUT (tq= 25 °C)
250	10	3000K - 974lm - CRI 92 - 34°
300	12	3000K - 1139lm - CRI 92 - 34°
350	14	3000K - 1297lm - CRI 92 - 34°

DIP SWITCH SETTING		
I out	W tot	LUMEN OUTPUT (tq= 25 °C)
250	10	4000K - 1026lm - CRI 92 - 34°
300	12	4000K - 1199lm - CRI 92 - 34°
350	14	4000K - 1365lm - CRI 92 - 34°

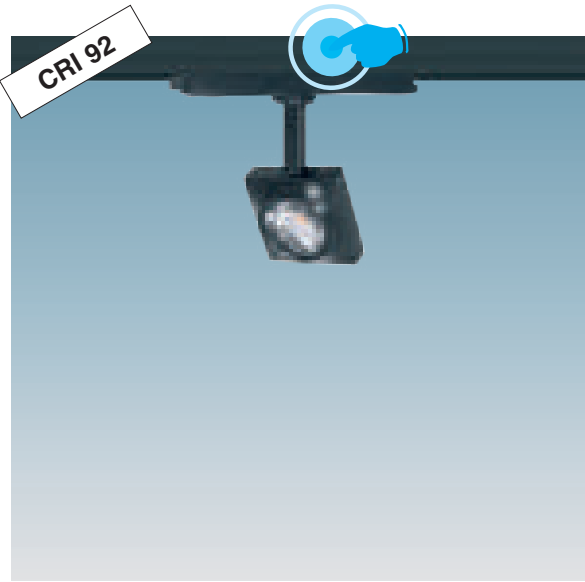
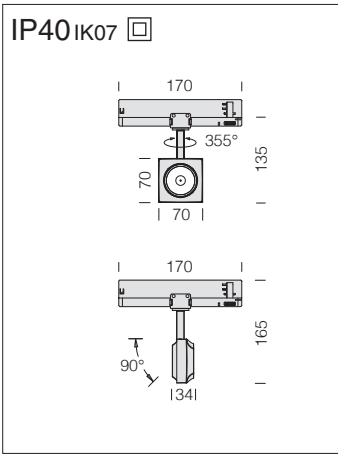
COB	white	0,30	22109012-00	350	14
	black		22109032-00		
COB	white	0,30	22109012-68	350	14
	black		22109032-68		

DIP SWITCH SETTING		
I out	W tot	LUMEN OUTPUT (tq= 25 °C)
250	10	3000K - 1056lm - CRI 92 - 58°
300	12	3000K - 1234lm - CRI 92 - 58°
350	14	3000K - 1405lm - CRI 92 - 58°

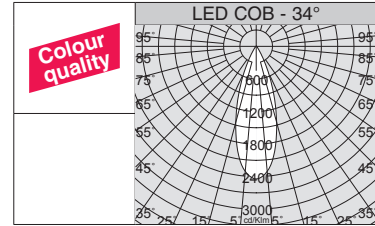
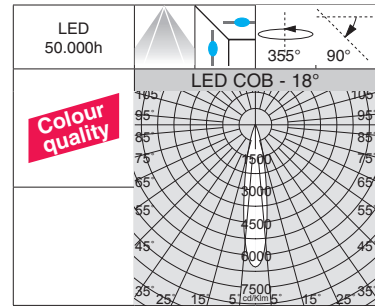
DIP SWITCH SETTING		
I out	W tot	LUMEN OUTPUT (tq= 25 °C)
250	10	4000K - 1111lm - CRI 92 - 58°
300	12	4000K - 1299lm - CRI 92 - 58°
350	14	4000K - 1479lm - CRI 92 - 58°



Upon request: 21° x 50° ELLIPTICAL version.



LED: luminous flux maintenance 80%: 50.000h (L80B20). Power factor >0.95.



Focus SLIM "Q" 5.0 - DIP SWITCH - universal adapter						
LED	colour	weight	CLD code	I out	W tot	LUMEN OUTPUT (tq= 25 °C) K - ølm - CRI - degrees
COB	white	0,30	22108710-00	350	14	3000K - 1332lm - CRI 92 - 18°
	black		22108730-00			
COB	white	0,30	22108710-68	350	14	4000K - 1403lm - CRI 92 - 18°
	black		22108730-68			

DIP SWITCH SETTING		
LUMEN OUTPUT (tq= 25 °C)		
I out	W tot	K - ølm - CRI - degrees
250	10	3000K - 1001lm - CRI 92 - 18°
300	12	3000K - 1170lm - CRI 92 - 18°
350	14	3000K - 1332lm - CRI 92 - 18°

DIP SWITCH SETTING		
LUMEN OUTPUT (tq= 25 °C)		
I out	W tot	K - ølm - CRI - degrees
250	10	4000K - 1054lm - CRI 92 - 18°
300	12	4000K - 1232lm - CRI 92 - 18°
350	14	4000K - 1403lm - CRI 92 - 18°

COB	white	0,30	22108711-00	350	14	3000K - 1297lm - CRI 92 - 34°
	black		22108731-00			
COB	white	0,30	22108711-68	350	14	4000K - 1365lm - CRI 92 - 34°
	black		22108731-68			

DIP SWITCH SETTING		
LUMEN OUTPUT (tq= 25 °C)		
I out	W tot	K - ølm - CRI - degrees
250	10	3000K - 974lm - CRI 92 - 34°
300	12	3000K - 1139lm - CRI 92 - 34°
350	14	3000K - 1297lm - CRI 92 - 34°

DIP SWITCH SETTING		
LUMEN OUTPUT (tq= 25 °C)		
I out	W tot	K - ølm - CRI - degrees
250	10	4000K - 1026lm - CRI 92 - 34°
300	12	4000K - 1199lm - CRI 92 - 34°
350	14	4000K - 1365lm - CRI 92 - 34°

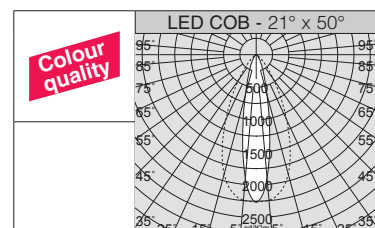
COB	white	0,30	22108712-00	350	14	3000K - 1405m - CRI 92 - 58°
	black		22108732-00			
COB	white	0,30	22108712-68	350	14	4000K - 1479lm - CRI 92 - 58°
	black		22108732-68			

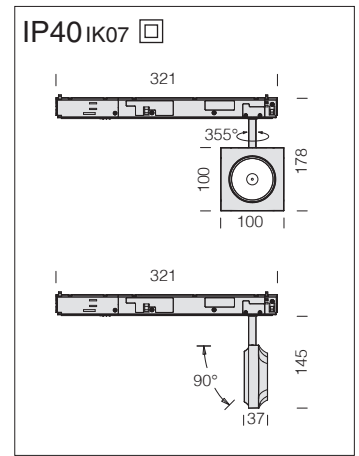
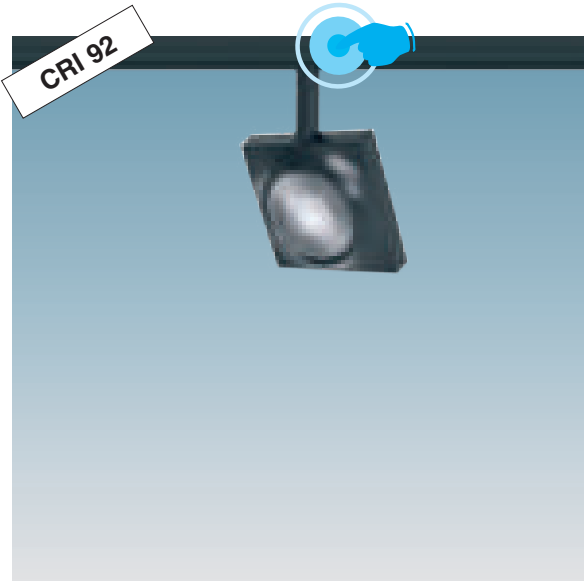
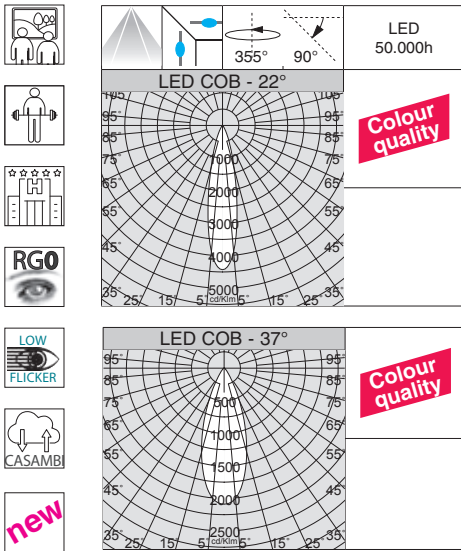
DIP SWITCH SETTING		
LUMEN OUTPUT (tq= 25 °C)		
I out	W tot	K - ølm - CRI - degrees
250	10	3000K - 1056lm - CRI 92 - 58°
300	12	3000K - 1234lm - CRI 92 - 58°
350	14	3000K - 1405m - CRI 92 - 58°

DIP SWITCH SETTING		
LUMEN OUTPUT (tq= 25 °C)		
I out	W tot	K - ølm - CRI - degrees
250	10	4000K - 1111lm - CRI 92 - 58°
300	12	4000K - 1299lm - CRI 92 - 58°
350	14	4000K - 1479lm - CRI 92 - 58°

Upon request: DALI -1241 and -6841 dimmable version to be used with OMNITRACK PLUS track-mounted system.

Upon request: 21° x 50° ELLIPTICAL version.





LED: luminous flux maintenance 80%: 50.000h (L80B20). Power factor >0.95.

Focus SLIM "Q" 7.0 - DIP SWITCH - universal concealed adapter						
LED	colour	weight	CLD code	I out	W tot	LUMEN OUTPUT (tq= 25 °C) K - ølm - CRI - degrees
COB	white	0,40	22109110-00	600	23	3000K - 2332lm - CRI 92 - 22°
	black		22109130-00			
COB	white	0,40	22109110-68	600	23	4000K - 2455lm - CRI 92 - 22°
	black		22109130-68			

DIP SWITCH SETTING			LUMEN OUTPUT (tq= 25 °C)	
I out	W tot	K - ølm - CRI - degrees		
500	19	3000K - 1988lm - CRI 92 - 22°		
550	21	3000K - 2166lm - CRI 92 - 22°		
600	23	3000K - 2332lm - CRI 92 - 22°		

DIP SWITCH SETTING			LUMEN OUTPUT (tq= 25 °C)	
I out	W tot	K - ølm - CRI - degrees		
500	19	4000K - 2092lm - CRI 92 - 22°		
550	21	4000K - 2280lm - CRI 92 - 22°		
600	23	4000K - 2455lm - CRI 92 - 22°		

COB	white	0,40	22109111-00	600	23	3000K - 2277lm - CRI 92 - 37°
	black		22109131-00			
COB	white	0,40	22109111-68	600	23	4000K - 2397lm - CRI 92 - 37°
	black		22109131-68			

DIP SWITCH SETTING			LUMEN OUTPUT (tq= 25 °C)	
I out	W tot	K - ølm - CRI - degrees		
500	19	3000K - 1941lm - CRI 92 - 37°		
550	21	3000K - 2115lm - CRI 92 - 37°		
600	23	3000K - 2277lm - CRI 92 - 37°		

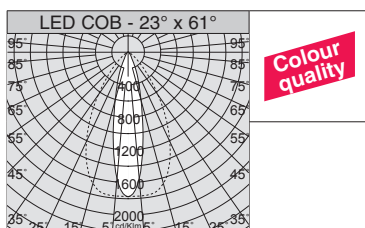
DIP SWITCH SETTING			LUMEN OUTPUT (tq= 25 °C)	
I out	W tot	K - ølm - CRI - degrees		
500	19	4000K - 2043lm - CRI 92 - 37°		
550	21	4000K - 2226lm - CRI 92 - 37°		
600	23	4000K - 2397lm - CRI 92 - 37°		

COB	white	0,40	22109112-00	600	23	3000K - 2267lm - CRI 92 - 55°
	black		22109132-00			
COB	white	0,40	22109112-68	600	23	4000K - 2386lm - CRI 92 - 55°
	black		22109132-68			

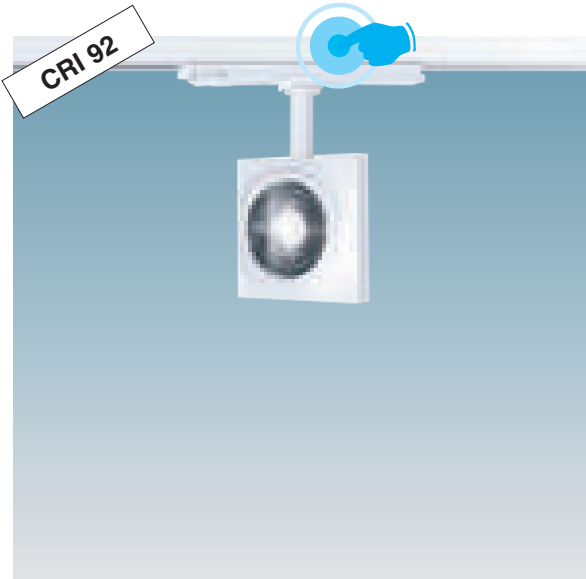
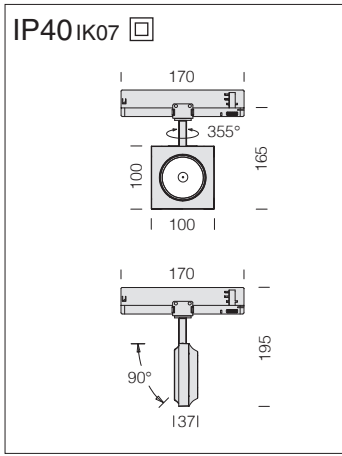
DIP SWITCH SETTING			LUMEN OUTPUT (tq= 25 °C)	
I out	W tot	K - ølm - CRI - degrees		
500	19	3000K - 1932lm - CRI 92 - 55°		
550	21	3000K - 2105lm - CRI 92 - 55°		
600	23	3000K - 2267lm - CRI 92 - 55°		

DIP SWITCH SETTING			LUMEN OUTPUT (tq= 25 °C)	
I out	W tot	K - ølm - CRI - degrees		
500	19	4000K - 2034lm - CRI 92 - 55°		
550	21	4000K - 2216lm - CRI 92 - 55°		
600	23	4000K - 2386lm - CRI 92 - 55°		

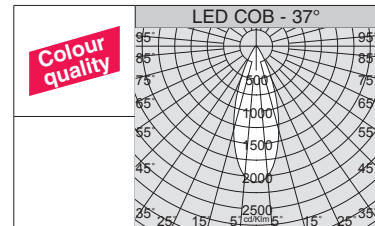
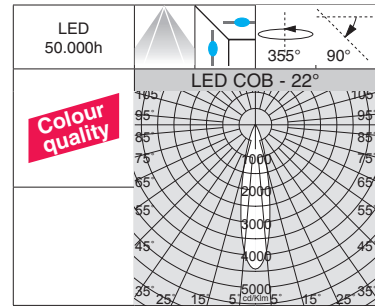
Version complete with concealed adapter (upon request DALI -1241 and -6841 dimmable version max. 500mA) to be used only with OMNITRACK PLUS track-mounted system.



Upon request: 23° x 61° ELLIPTICAL version.



LED: luminous flux maintenance 80%: 50.000h (L80B20). Power factor >0.95.



Focus SLIM "Q" 7.0 - DIP SWITCH - universal adapter						
LED	colour	weight	CLD code	I out	W tot	LUMEN OUTPUT (tq= 25 °C) K - ølm - CRI - degrees
COB	white	0,40	22108810-00	600	23	3000K - 2332lm - CRI 92 - 22°
	black		22108830-00			
COB	white	0,40	22108810-68	600	23	4000K - 2455lm - CRI 92 - 22°
	black		22108830-68			

DIP SWITCH SETTING			LUMEN OUTPUT (tq= 25 °C)	
I out	W tot	K - ølm - CRI - degrees		
500	19	3000K - 1988lm - CRI 92 - 22°		
550	21	3000K - 2166lm - CRI 92 - 22°		
600	23	3000K - 2332lm - CRI 92 - 22°		

DIP SWITCH SETTING			LUMEN OUTPUT (tq= 25 °C)	
I out	W tot	K - ølm - CRI - degrees		
500	19	4000K - 2092lm - CRI 92 - 22°		
550	21	4000K - 2280lm - CRI 92 - 22°		
600	23	4000K - 2455lm - CRI 92 - 22°		

COB	white	0,40	22108811-00	600	23	3000K - 2277lm - CRI 92 - 37°
	black		22108831-00			
COB	white	0,40	22108811-68	600	23	4000K - 2397lm - CRI 92 - 37°
	black		22108831-68			

DIP SWITCH SETTING			LUMEN OUTPUT (tq= 25 °C)	
I out	W tot	K - ølm - CRI - degrees		
500	19	3000K - 1941lm - CRI 92 - 37°		
550	21	3000K - 2115lm - CRI 92 - 37°		
600	23	3000K - 2277lm - CRI 92 - 37°		

DIP SWITCH SETTING			LUMEN OUTPUT (tq= 25 °C)	
I out	W tot	K - ølm - CRI - degrees		
500	19	4000K - 2043lm - CRI 92 - 37°		
550	21	4000K - 2226lm - CRI 92 - 37°		
600	23	4000K - 2397lm - CRI 92 - 37°		

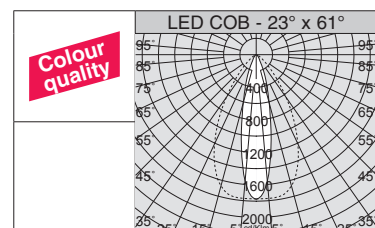
COB	white	0,40	22108812-00	600	23	3000K - 2267lm - CRI 92 - 55°
	black		22108832-00			
COB	white	0,40	22108812-68	600	23	4000K - 2386lm - CRI 92 - 55°
	black		22108832-68			

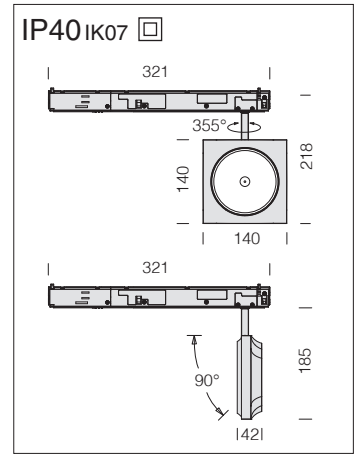
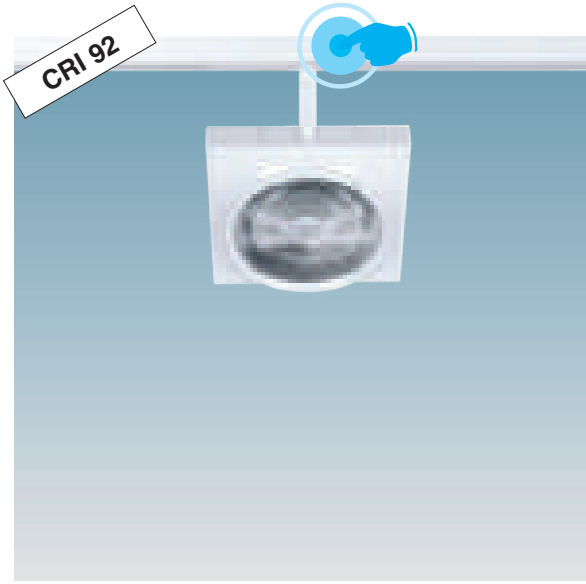
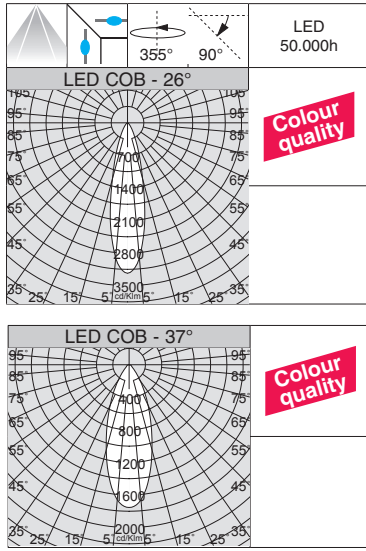
DIP SWITCH SETTING			LUMEN OUTPUT (tq= 25 °C)	
I out	W tot	K - ølm - CRI - degrees		
500	19	3000K - 1932lm - CRI 92 - 55°		
550	21	3000K - 2105lm - CRI 92 - 55°		
600	23	3000K - 2267lm - CRI 92 - 55°		

DIP SWITCH SETTING			LUMEN OUTPUT (tq= 25 °C)	
I out	W tot	K - ølm - CRI - degrees		
500	19	4000K - 2034lm - CRI 92 - 55°		
550	21	4000K - 2216lm - CRI 92 - 55°		
600	23	4000K - 2386lm - CRI 92 - 55°		

Upon request: DALI -1241 and -6841 dimmable version to be used with OMNITRACK PLUS track-mounted system.

Upon request: 23° x 61° ELLIPTICAL version.





**LED:** luminous flux maintenance 80%: 50.000h (L80B20). Power factor >0.95.

Focus SLIM "Q" 111 - DIP SWITCH - universal concealed adapter						
LED	colour	weight	CLD code	I out	W tot	LUMEN OUTPUT (tq= 25 °C) K - ølm - CRI - degrees
COB	white	0,70	22109210-00	700	26	3000K - 3085lm - CRI 92 - 26°
	black		22109230-00			
COB	white	0,70	22109210-68	700	26	4000K - 3284lm - CRI 92 - 26°
	black		22109230-68			

DIP SWITCH SETTING			LUMEN OUTPUT (tq= 25 °C)
I out	W tot	K - ølm - CRI - degrees	K - ølm - CRI - degrees
500	18	3000K - 2272lm - CRI 92 - 26°	3000K - 2272lm - CRI 92 - 26°
600	22	3000K - 2696lm - CRI 92 - 26°	3000K - 2696lm - CRI 92 - 26°
700	26	3000K - 3085lm - CRI 92 - 26°	3000K - 3085lm - CRI 92 - 26°

DIP SWITCH SETTING			LUMEN OUTPUT (tq= 25 °C)
I out	W tot	K - ølm - CRI - degrees	K - ølm - CRI - degrees
500	18	4000K - 2391lm - CRI 92 - 26°	4000K - 2391lm - CRI 92 - 26°
600	22	4000K - 2838lm - CRI 92 - 26°	4000K - 2838lm - CRI 92 - 26°
700	26	4000K - 3284lm - CRI 92 - 26°	4000K - 3284lm - CRI 92 - 26°

COB	white	0,70	22109211-00	700	26	3000K - 2938lm - CRI 92 - 37°
	black		22109231-00			
COB	white	0,70	22109211-68	700	26	4000K - 3093lm - CRI 92 - 37°
	black		22109231-68			

DIP SWITCH SETTING			LUMEN OUTPUT (tq= 25 °C)
I out	W tot	K - ølm - CRI - degrees	K - ølm - CRI - degrees
500	18	3000K - 2164lm - CRI 92 - 37°	3000K - 2164lm - CRI 92 - 37°
600	22	3000K - 2568lm - CRI 92 - 37°	3000K - 2568lm - CRI 92 - 37°
700	26	3000K - 2938lm - CRI 92 - 37°	3000K - 2938lm - CRI 92 - 37°

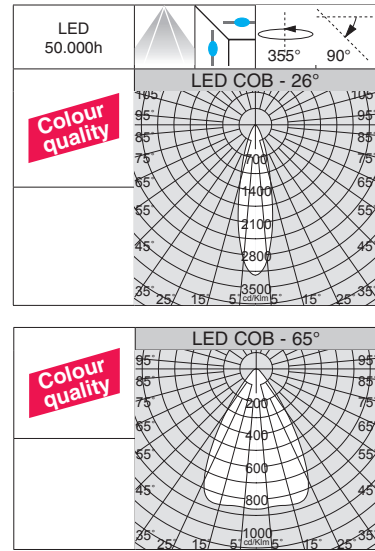
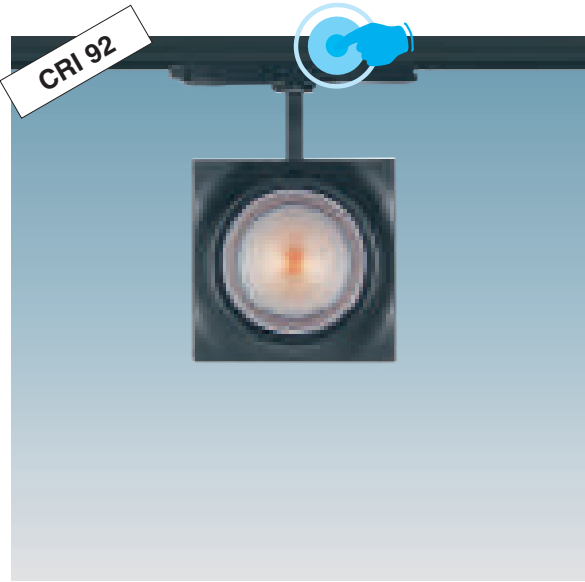
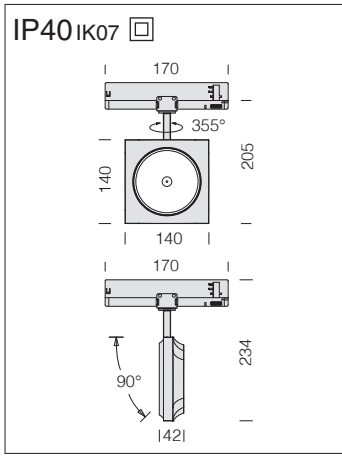
DIP SWITCH SETTING			LUMEN OUTPUT (tq= 25 °C)
I out	W tot	K - ølm - CRI - degrees	K - ølm - CRI - degrees
500	18	4000K - 2277lm - CRI 92 - 37°	4000K - 2277lm - CRI 92 - 37°
600	22	4000K - 2703lm - CRI 92 - 37°	4000K - 2703lm - CRI 92 - 37°
700	26	4000K - 3093lm - CRI 92 - 37°	4000K - 3093lm - CRI 92 - 37°

COB	white	0,70	22109212-00	700	26	3000K - 2791lm - CRI 92 - 65°
	black		22109232-00			
COB	white	0,70	22109212-68	700	26	4000K - 2938lm - CRI 92 - 65°
	black		22109232-68			

DIP SWITCH SETTING			LUMEN OUTPUT (tq= 25 °C)
I out	W tot	K - ølm - CRI - degrees	K - ølm - CRI - degrees
500	18	3000K - 2056lm - CRI 92 - 65°	3000K - 2056lm - CRI 92 - 65°
600	22	3000K - 2440lm - CRI 92 - 65°	3000K - 2440lm - CRI 92 - 65°
700	26	3000K - 2791lm - CRI 92 - 65°	3000K - 2791lm - CRI 92 - 65°

DIP SWITCH SETTING			LUMEN OUTPUT (tq= 25 °C)
I out	W tot	K - ølm - CRI - degrees	K - ølm - CRI - degrees
500	18	4000K - 2163lm - CRI 92 - 65°	4000K - 2163lm - CRI 92 - 65°
600	22	4000K - 2568lm - CRI 92 - 65°	4000K - 2568lm - CRI 92 - 65°
700	26	4000K - 2938lm - CRI 92 - 65°	4000K - 2938lm - CRI 92 - 65°

Version complete with concealed adapter (upon request DALI -1241 and -6841 dimmable version max. 500mA) to be used only with OMNITRACK PLUS track-mounted system.



LED: luminous flux maintenance 80%: 50.000h (L80B20). Power factor >0.95.

Focus SLIM "Q" 111 - DIP SWITCH - universal adapter						
LED	colour	weight	CLD code	I out	W tot	LUMEN OUTPUT (tq= 25 °C) K - ølm - CRI - degrees
COB	white	0,70	22109310-00	700	26	3000K - 3085lm - CRI 92 - 26°
	black		22109330-00			
COB	white	0,70	22109310-68	700	26	4000K - 3284lm - CRI 92 - 26°
	black		22109330-68			

DIP SWITCH SETTING			LUMEN OUTPUT (tq= 25 °C)		
I out	W tot	K - ølm - CRI - degrees	I out	W tot	K - ølm - CRI - degrees
550	20	3000K - 2499lm - CRI 92 - 26°	550	20	3000K - 2499lm - CRI 92 - 26°
600	22	3000K - 2696lm - CRI 92 - 26°	600	22	3000K - 2696lm - CRI 92 - 26°
700	26	3000K - 3085lm - CRI 92 - 26°	700	26	3000K - 3085lm - CRI 92 - 26°

DIP SWITCH SETTING			LUMEN OUTPUT (tq= 25 °C)		
I out	W tot	K - ølm - CRI - degrees	I out	W tot	K - ølm - CRI - degrees
550	20	4000K - 2630lm - CRI 92 - 26°	550	20	4000K - 2630lm - CRI 92 - 26°
600	22	4000K - 2838lm - CRI 92 - 26°	600	22	4000K - 2838lm - CRI 92 - 26°
700	26	4000K - 3284lm - CRI 92 - 26°	700	26	4000K - 3284lm - CRI 92 - 26°

COB	white	0,70	22109311-00	700	26	3000K - 2938lm - CRI 92 - 37°
	black		22109331-00			
COB	white	0,70	22109311-68	700	26	4000K - 3093lm - CRI 92 - 37°
	black		22109331-68			

DIP SWITCH SETTING			LUMEN OUTPUT (tq= 25 °C)		
I out	W tot	K - ølm - CRI - degrees	I out	W tot	K - ølm - CRI - degrees
550	20	3000K - 2380lm - CRI 92 - 37°	550	20	3000K - 2380lm - CRI 92 - 37°
600	22	3000K - 2568lm - CRI 92 - 37°	600	22	3000K - 2568lm - CRI 92 - 37°
700	26	3000K - 2938lm - CRI 92 - 37°	700	26	3000K - 2938lm - CRI 92 - 37°

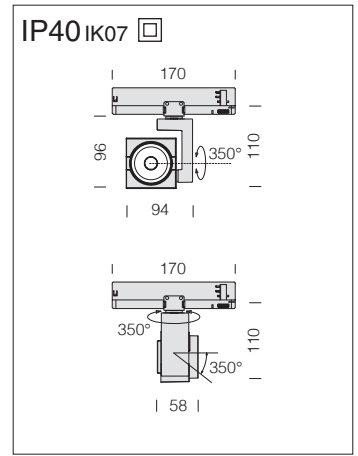
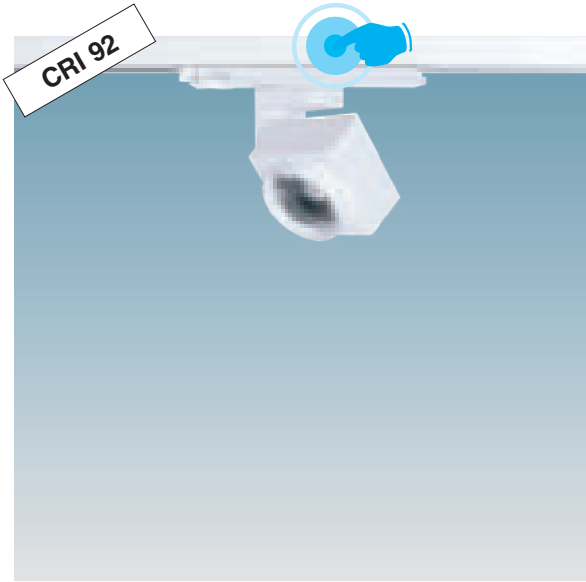
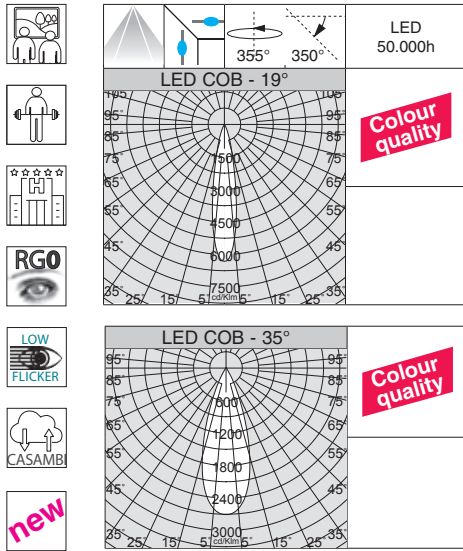
DIP SWITCH SETTING			LUMEN OUTPUT (tq= 25 °C)		
I out	W tot	K - ølm - CRI - degrees	I out	W tot	K - ølm - CRI - degrees
550	20	4000K - 2504lm - CRI 92 - 37°	550	20	4000K - 2504lm - CRI 92 - 37°
600	22	4000K - 2703lm - CRI 92 - 37°	600	22	4000K - 2703lm - CRI 92 - 37°
700	26	4000K - 3093lm - CRI 92 - 37°	700	26	4000K - 3093lm - CRI 92 - 37°

COB	white	0,70	22109312-00	700	26	3000K - 2791lm - CRI 92 - 65°
	black		22109332-00			
COB	white	0,70	22109312-68	700	26	4000K - 2938lm - CRI 92 - 65°
	black		22109332-68			

DIP SWITCH SETTING			LUMEN OUTPUT (tq= 25 °C)		
I out	W tot	K - ølm - CRI - degrees	I out	W tot	K - ølm - CRI - degrees
550	20	3000K - 2272lm - CRI 92 - 65°	550	20	3000K - 2272lm - CRI 92 - 65°
600	22	3000K - 2440lm - CRI 92 - 65°	600	22	3000K - 2440lm - CRI 92 - 65°
700	26	3000K - 2791lm - CRI 92 - 65°	700	26	3000K - 2791lm - CRI 92 - 65°

DIP SWITCH SETTING			LUMEN OUTPUT (tq= 25 °C)		
I out	W tot	K - ølm - CRI - degrees	I out	W tot	K - ølm - CRI - degrees
550	20	4000K - 2379lm - CRI 92 - 65°	550	20	4000K - 2379lm - CRI 92 - 65°
600	22	4000K - 2568lm - CRI 92 - 65°	600	22	4000K - 2568lm - CRI 92 - 65°
700	26	4000K - 2938lm - CRI 92 - 65°	700	26	4000K - 2938lm - CRI 92 - 65°

Upon request: DALI -1241 and -6841 dimmable version to be used with OMNITRACK PLUS track-mounted system.



**LED:** luminous flux maintenance 80%: 50.000h (L80B20). Power factor >0.95.

Focus 5.0 L - DIP SWITCH - universal adapter						
LED	colour	weight	CLD code	I out	W tot	LUMEN OUTPUT (tq= 25 °C) K - ølm - CRI - degrees
COB	white	0,50	22108510-00	350	14	3000K - 1368lm - <b>CRI 92</b> - 19°
	black		22108530-00			
COB	white	0,50	22108510-68	350	14	4000K - 1471lm - <b>CRI 92</b> - 19°
	black		22108530-68			

DIP SWITCH SETTING			LUMEN OUTPUT (tq= 25 °C)	
I out	W tot	K - ølm - CRI - degrees		
250	10	3000K - 1015lm - <b>CRI 92</b> - 19°		
300	12	3000K - 1195lm - <b>CRI 92</b> - 19°		
350	14	3000K - 1368lm - <b>CRI 92</b> - 19°		

DIP SWITCH SETTING			LUMEN OUTPUT (tq= 25 °C)	
I out	W tot	K - ølm - CRI - degrees		
250	10	4000K - 1091lm - <b>CRI 92</b> - 19°		
300	12	4000K - 1285lm - <b>CRI 92</b> - 19°		
350	14	4000K - 1471lm - <b>CRI 92</b> - 19°		

COB	white	0,50	22108512-00	350	14	3000K - 1327lm - <b>CRI 92</b> - 35°
	black		22108532-00			
COB	white	0,50	22108512-68	350	14	4000K - 1427lm - <b>CRI 92</b> - 35°
	black		22108532-68			

DIP SWITCH SETTING			LUMEN OUTPUT (tq= 25 °C)	
I out	W tot	K - ølm - CRI - degrees		
250	10	3000K - 984lm - <b>CRI 92</b> - 35°		
300	12	3000K - 1160lm - <b>CRI 92</b> - 35°		
350	14	3000K - 1327lm - <b>CRI 92</b> - 35°		

DIP SWITCH SETTING			LUMEN OUTPUT (tq= 25 °C)	
I out	W tot	K - ølm - CRI - degrees		
250	10	4000K - 1058lm - <b>CRI 92</b> - 35°		
300	12	4000K - 1247lm - <b>CRI 92</b> - 35°		
350	14	4000K - 1427lm - <b>CRI 92</b> - 35°		

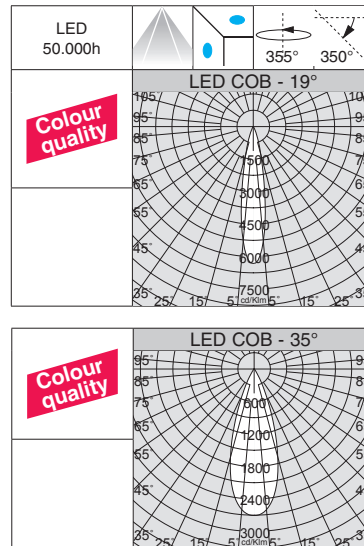
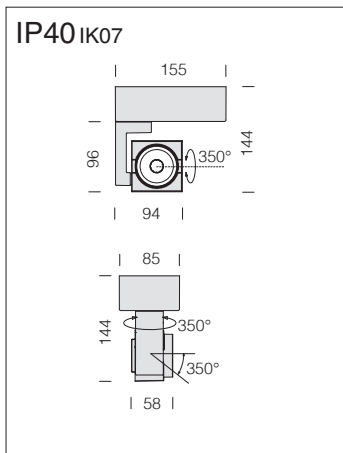
COB	white	0,50	22108513-00	350	14	3000K - 1218lm - <b>CRI 92</b> - 57°
	black		22108533-00			
COB	white	0,50	22108513-68	350	14	4000K - 1310lm - <b>CRI 92</b> - 57°
	black		22108533-68			

DIP SWITCH SETTING			LUMEN OUTPUT (tq= 25 °C)	
I out	W tot	K - ølm - CRI - degrees		
250	10	3000K - 903lm - <b>CRI 92</b> - 57°		
300	12	3000K - 1064lm - <b>CRI 92</b> - 57°		
350	14	3000K - 1218lm - <b>CRI 92</b> - 57°		

DIP SWITCH SETTING			LUMEN OUTPUT (tq= 25 °C)	
I out	W tot	K - ølm - CRI - degrees		
250	10	4000K - 971lm - <b>CRI 92</b> - 57°		
300	12	4000K - 1144lm - <b>CRI 92</b> - 57°		
350	14	4000K - 1310lm - <b>CRI 92</b> - 57°		

Upon request: DALI -1241 and -6841 dimmable version to be used with OMNITRACK PLUS track-mounted system.





LED: luminous flux maintenance 80%: 50.000h (L80B20). Power factor >0.95.

**Focus 5.0 L - DIP SWITCH - base**

LED	colour	weight	CLD		I out	W tot	LUMEN OUTPUT (tq= 25 °C)
			code	K - ølm - CRI - degrees			
COB	white	0,60	22208510-00		350	14	3000K - 1368lm - CRI 92 - 19°
	black		22208530-00				
COB	white	0,60	22208510-68		350	14	4000K - 1471lm - CRI 92 - 19°
	black		22208530-68				

DIP SWITCH SETTING		LUMEN OUTPUT (tq= 25 °C)	
I out	W tot	K - ølm - CRI - degrees	
250	10	3000K - 1015lm - CRI 92 - 19°	
300	12	3000K - 1195lm - CRI 92 - 19°	
350	14	3000K - 1368lm - CRI 92 - 19°	

DIP SWITCH SETTING		LUMEN OUTPUT (tq= 25 °C)	
I out	W tot	K - ølm - CRI - degrees	
250	10	4000K - 1091lm - CRI 92 - 19°	
300	12	4000K - 1285lm - CRI 92 - 19°	
350	14	4000K - 1471lm - CRI 92 - 19°	

COB	white	0,60	22208512-00		350	14	3000K - 1327lm - CRI 92 - 35°
	black		22208532-00				
COB	white	0,60	22208512-68		350	14	4000K - 1427lm - CRI 92 - 35°
	black		22208532-68				

DIP SWITCH SETTING		LUMEN OUTPUT (tq= 25 °C)	
I out	W tot	K - ølm - CRI - degrees	
250	10	3000K - 984lm - CRI 92 - 35°	
300	12	3000K - 1160lm - CRI 92 - 35°	
350	14	3000K - 1327lm - CRI 92 - 35°	

DIP SWITCH SETTING		LUMEN OUTPUT (tq= 25 °C)	
I out	W tot	K - ølm - CRI - degrees	
250	10	4000K - 1058lm - CRI 92 - 35°	
300	12	4000K - 1247lm - CRI 92 - 35°	
350	14	4000K - 1427lm - CRI 92 - 35°	

COB	blanc	0,60	22208513-00		350	14	3000K - 1218lm - CRI 92 - 57°
	noir		22208533-00				
COB	blanc	0,60	22208513-68		350	14	4000K - 1310lm - CRI 92 - 57°
	noir		22208533-68				

DIP SWITCH SETTING		LUMEN OUTPUT (tq= 25 °C)	
I out	W tot	K - ølm - CRI - degrees	
250	10	3000K - 903lm - CRI 92 - 57°	
300	12	3000K - 1064lm - CRI 92 - 57°	
350	14	3000K - 1218lm - CRI 92 - 57°	

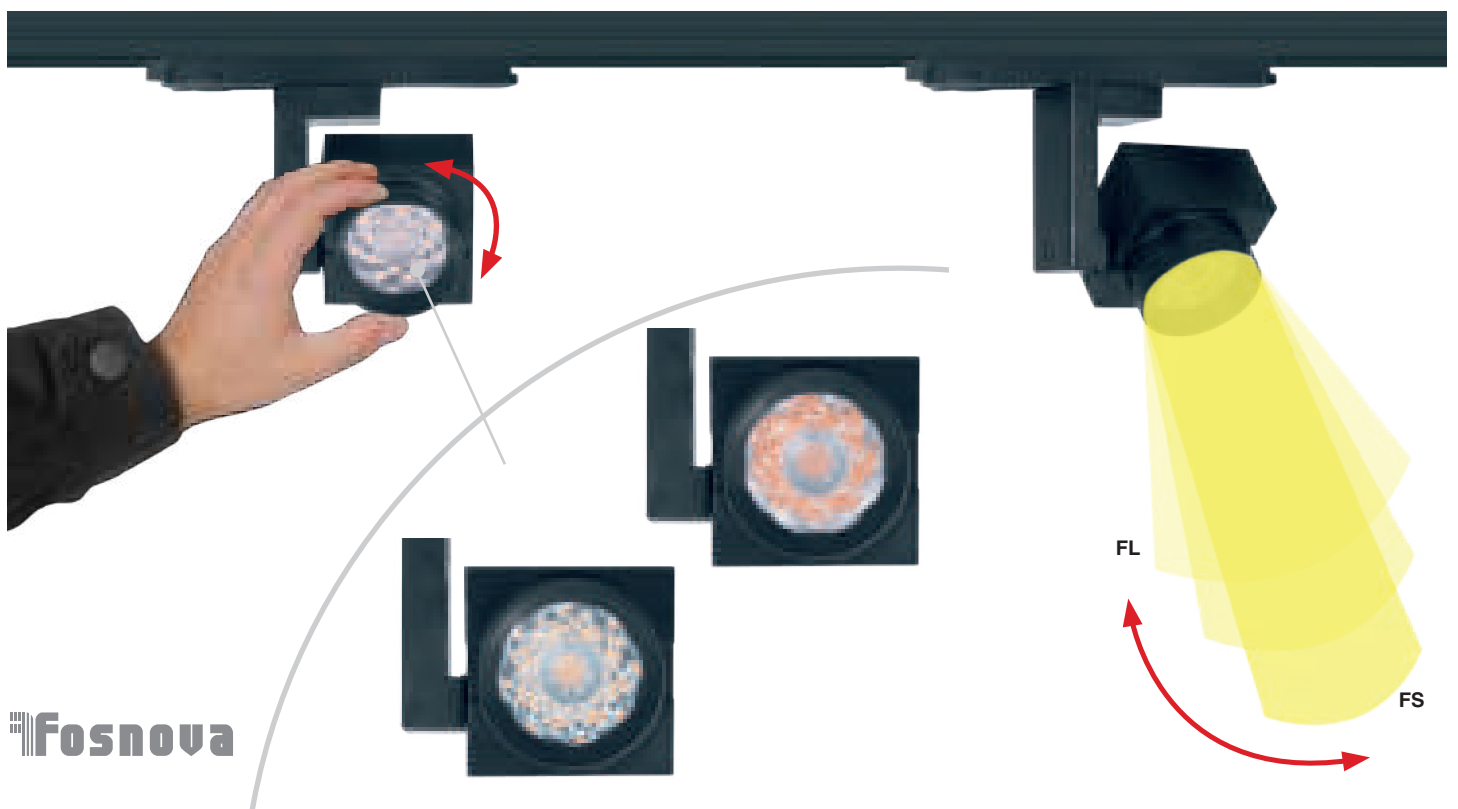
DIP SWITCH SETTING		LUMEN OUTPUT (tq= 25 °C)	
I out	W tot	K - ølm - CRI - degrees	
250	10	4000K - 971lm - CRI 92 - 57°	
300	12	4000K - 1144lm - CRI 92 - 57°	
350	14	4000K - 1310lm - CRI 92 - 57°	

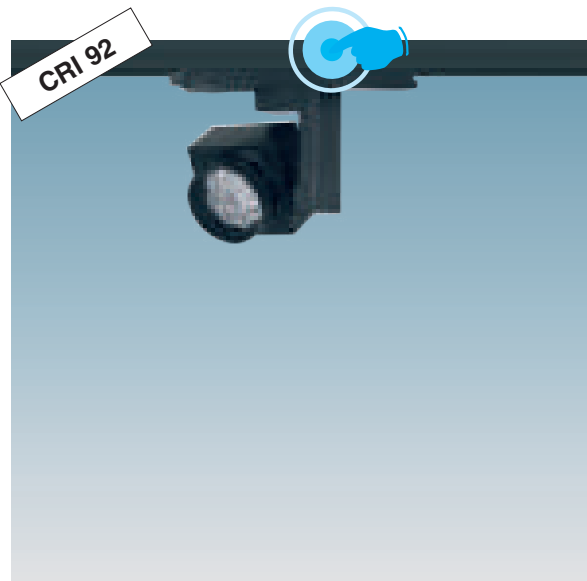
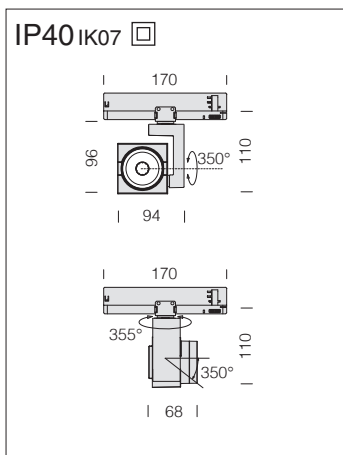


The optics in **FOCUS 5.0 ZOOM** deliver accent lighting in places that require high-quality light and differentiated light beams. The primary purpose is to draw attention to the features or details of the displayed items, or to add depth, soften and enhance the overall appearance of a room.

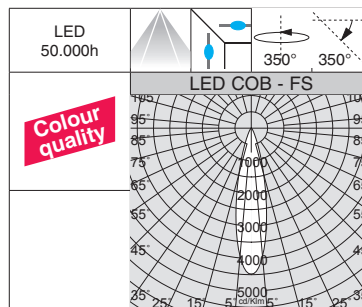
With FOCUS 5.0 ZOOM you can select the light beam angle with the adjustment mechanism on the optical compartment. By turning the dedicated ring, you can easily adjust the beam angle onto the illuminated item.

In a single spotlight you have an optical system capable of varying the beam angle. The transition from a narrow SPOT beam (approx. 15°) to a WIDE beam (approx. 45°) is smooth and gradual, offering maximum visual comfort.





**LED:** luminous flux maintenance 80%: 50.000h (L80B20). Power factor >0.95.



new

Focus 5.0 ZOOM - DIP SWITCH - universal adapter						
LED	colour	weight	CLD code	I out	W tot	LUMEN OUTPUT (tq= 25 °C) K - ølm - CRI - degrees
COB	white	0,50	22108410-00	350	14	3000K - 1131lm - CRI 92 - FS° 3000K - 1084lm - CRI 92 - FL°
	black		22108430-00	350	14	3000K - 1131lm - CRI 92 - FS° 3000K - 1084lm - CRI 92 - FL°
COB	white	0,50	22108410-68	350	14	4000K - 1216lm - CRI 92 - FS° 4000K - 1165lm - CRI 92 - FL°
	black		22108430-68	350	14	4000K - 1216lm - CRI 92 - FS° 4000K - 1165lm - CRI 92 - FL°

Upon request: DALI -1241 and -6841 dimmable version to be used with OMNITRACK PLUS track-mounted system.

DIP SWITCH SETTING		LUMEN OUTPUT (tq= 25 °C)	
I out	W tot	K - ølm - CRI - degrees	
250	10	3000K - 839lm - CRI 92 - FS	
300	12	3000K - 988lm - CRI 92 - FS	
350	14	3000K - 1131lm - CRI 92 - FS	

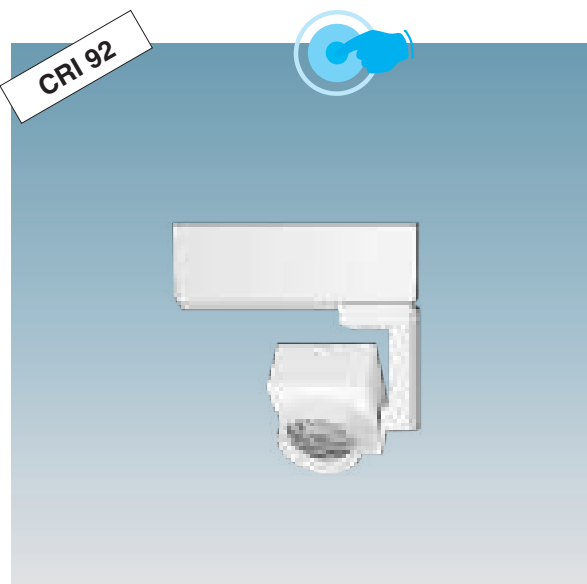
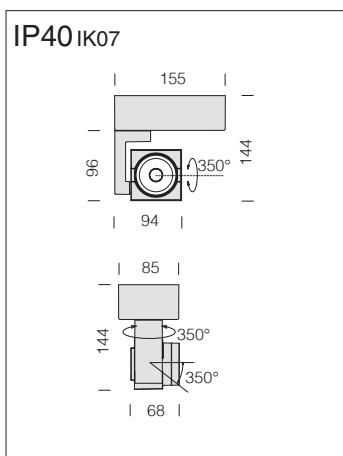
DIP SWITCH SETTING		LUMEN OUTPUT (tq= 25 °C)	
I out	W tot	K - ølm - CRI - degrees	
250	10	3000K - 804lm - CRI 92 - FL	
300	12	3000K - 947lm - CRI 92 - FL	
350	14	3000K - 1084lm - CRI 92 - FL	

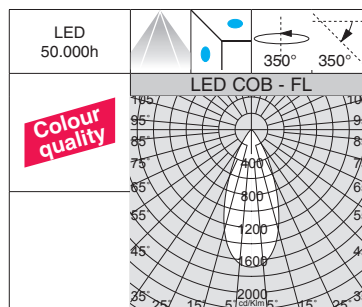
DIP SWITCH SETTING		LUMEN OUTPUT (tq= 25 °C)	
I out	W tot	K - ølm - CRI - degrees	
250	10	4000K - 902lm - CRI 92 - FS	
300	12	4000K - 1062lm - CRI 92 - FS	
350	14	4000K - 1216lm - CRI 92 - FS	

DIP SWITCH SETTING		LUMEN OUTPUT (tq= 25 °C)	
I out	W tot	K - ølm - CRI - degrees	
250	10	4000K - 864lm - CRI 92 - FL	
300	12	4000K - 1018lm - CRI 92 - FL	
350	14	4000K - 1165lm - CRI 92 - FL	



**LED:** luminous flux maintenance 80%: 50.000h (L80B20). Power factor >0.95.



new

Focus 5.0 ZOOM - DIP SWITCH - base						
LED	colour	weight	CLD code	I out	W tot	LUMEN OUTPUT (tq= 25 °C) K - ølm - CRI - degrees
COB	white	0,60	22208410-00	350	14	3000K - 1131lm - CRI 92 - FS° 3000K - 1084lm - CRI 92 - FL°
	black		22208430-00	350	14	3000K - 1131lm - CRI 92 - FS° 3000K - 1084lm - CRI 92 - FL°
COB	white	0,60	22208410-68	350	14	4000K - 1216lm - CRI 92 - FS° 4000K - 1165lm - CRI 92 - FL°
	black		22208430-68	350	14	4000K - 1216lm - CRI 92 - FS° 4000K - 1165lm - CRI 92 - FL°

DIP SWITCH SETTING		LUMEN OUTPUT (tq= 25 °C)	
I out	W tot	K - ølm - CRI - degrees	
250	10	3000K - 839lm - CRI 92 - FS	
300	12	3000K - 988lm - CRI 92 - FS	
350	14	3000K - 1131lm - CRI 92 - FS	

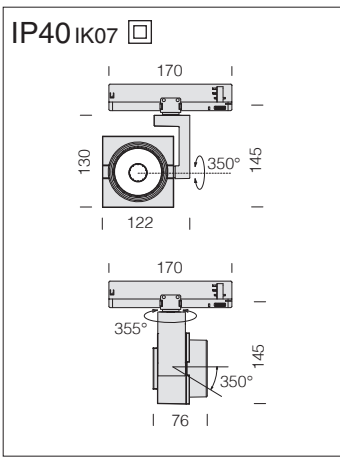
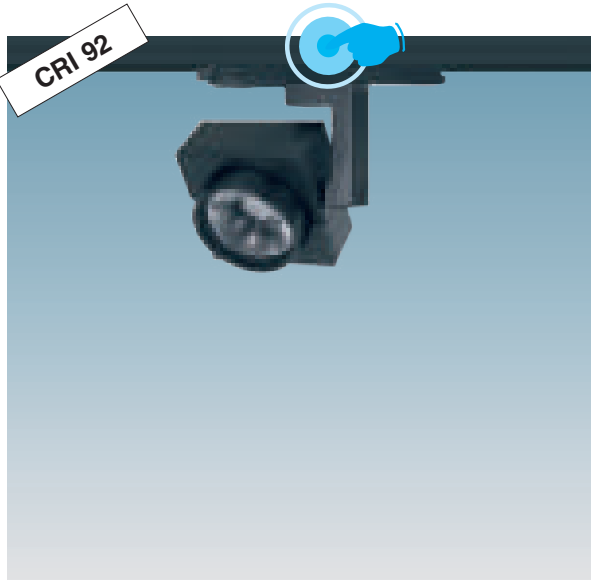
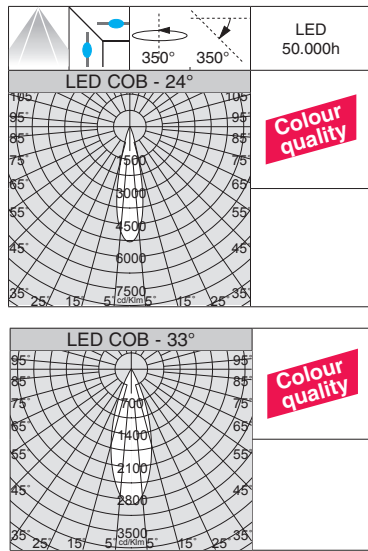
DIP SWITCH SETTING		LUMEN OUTPUT (tq= 25 °C)	
I out	W tot	K - ølm - CRI - degrees	
250	10	3000K - 804lm - CRI 92 - FL	
300	12	3000K - 947lm - CRI 92 - FL	
350	14	3000K - 1084lm - CRI 92 - FL	

DIP SWITCH SETTING		LUMEN OUTPUT (tq= 25 °C)	
I out	W tot	K - ølm - CRI - degrees	
250	10	4000K - 902lm - CRI 92 - FS	
300	12	4000K - 1062lm - CRI 92 - FS	
350	14	4000K - 1216lm - CRI 92 - FS	

DIP SWITCH SETTING		LUMEN OUTPUT (tq= 25 °C)	
I out	W tot	K - ølm - CRI - degrees	
250	10	4000K - 864lm - CRI 92 - FL	
300	12	4000K - 1018lm - CRI 92 - FL	
350	14	4000K - 1165lm - CRI 92 - FL	



**LED:** luminous flux maintenance 80%: 50.000h (L80B20). Power factor >0.95.

Focus 7.0 L - DIP SWITCH - universal adapter						
LED	colour	weight	CLD code	I out	W tot	LUMEN OUTPUT (tq= 25 °C) K - ølm - CRI - degrees
COB	white	0,75	22108310-00	700	25	3000K - 2513lm - <b>CRI 92</b> - 24°
	black		22108330-00			
COB	white	0,75	22108310-68	700	25	4000K - 2702lm - <b>CRI 92</b> - 24°
	black		22108330-68			

DIP SWITCH SETTING					
LUMEN OUTPUT (tq= 25 °C)					
I out	W tot	K - ølm - CRI - degrees			
600	22	3000K - 2246lm - <b>CRI 92</b> - 24°			
700	25	3000K - 2513lm - <b>CRI 92</b> - 24°			
750	27	3000K - 2692lm - <b>CRI 92</b> - 24°			

COB	white	0,75	22108312-00	700	25	3000K - 2376lm - <b>CRI 92</b> - 33°
	black		22108332-00			
COB	white	0,75	22108312-68	700	25	4000K - 2555lm - <b>CRI 92</b> - 33°
	black		22108332-68			

DIP SWITCH SETTING					
LUMEN OUTPUT (tq= 25 °C)					
I out	W tot	K - ølm - CRI - degrees			
600	22	4000K - 2415lm - <b>CRI 92</b> - 24°			
700	25	4000K - 2702lm - <b>CRI 92</b> - 24°			
750	27	4000K - 2895lm - <b>CRI 92</b> - 24°			

DIP SWITCH SETTING					
LUMEN OUTPUT (tq= 25 °C)					
I out	W tot	K - ølm - CRI - degrees			
600	22	3000K - 2124lm - <b>CRI 92</b> - 33°			
700	25	3000K - 2376lm - <b>CRI 92</b> - 33°			
750	27	3000K - 2546lm - <b>CRI 92</b> - 33°			

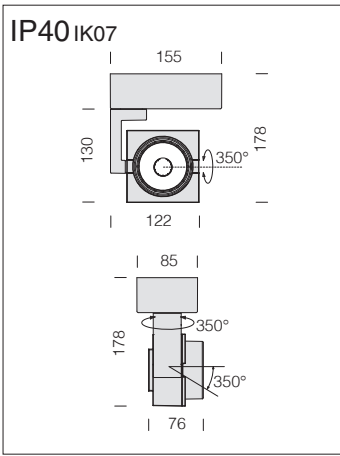
COB	white	0,75	22108313-00	700	25	3000K - 2167lm - <b>CRI 92</b> - 53°
	black		22108333-00			
COB	white	0,75	22108313-68	700	25	4000K - 2330lm - <b>CRI 92</b> - 53°
	black		22108333-68			

DIP SWITCH SETTING					
LUMEN OUTPUT (tq= 25 °C)					
I out	W tot	K - ølm - CRI - degrees			
600	22	4000K - 2284lm - <b>CRI 92</b> - 33°			
700	25	4000K - 2555lm - <b>CRI 92</b> - 33°			
750	27	4000K - 2738lm - <b>CRI 92</b> - 33°			

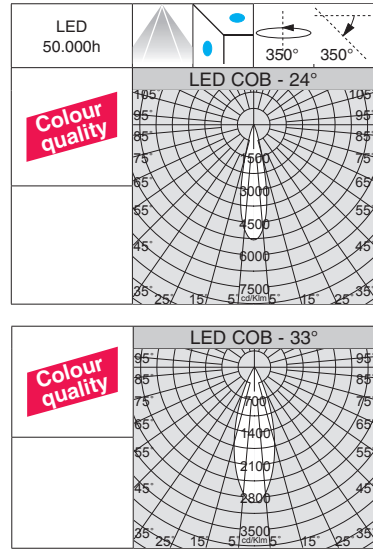
DIP SWITCH SETTING					
LUMEN OUTPUT (tq= 25 °C)					
I out	W tot	K - ølm - CRI - degrees			
600	22	3000K - 1937lm - <b>CRI 92</b> - 53°			
700	25	3000K - 2167lm - <b>CRI 92</b> - 53°			
750	27	3000K - 2322lm - <b>CRI 92</b> - 53°			

DIP SWITCH SETTING					
LUMEN OUTPUT (tq= 25 °C)					
I out	W tot	K - ølm - CRI - degrees			
600	22	4000K - 2083lm - <b>CRI 92</b> - 53°			
700	25	4000K - 2330lm - <b>CRI 92</b> - 53°			
750	27	4000K - 2497lm - <b>CRI 92</b> - 53°			

Upon request: DALI -1241 and -6841 dimmable version to be used with OMNITRACK PLUS track-mounted system.



**LED:** luminous flux maintenance 80%: 50.000h (L80B20). Power factor >0.95.



Focus 7.0 L - DIP SWITCH - base						
LED	colour	weight	CLD code	I out	W tot	LUMEN OUTPUT (tq= 25 °C) K - ølm - CRI - degrees
COB	white	1,10	22208310-00	700	25	3000K - 2513lm - CRI 92 - 24°
	black		22208330-00			
COB	white	1,10	22208310-68	700	25	4000K - 2702lm - CRI 92 - 24°
	black		22208330-68			

DIP SWITCH SETTING			LUMEN OUTPUT (tq= 25 °C)	
I out	W tot	K	ølm	CRI - degrees
600	22	3000K	2246lm	CRI 92 - 24°
700	25	3000K	2513lm	CRI 92 - 24°
750	27	3000K	2692lm	CRI 92 - 24°

DIP SWITCH SETTING			LUMEN OUTPUT (tq= 25 °C)	
I out	W tot	K	ølm	CRI - degrees
600	22	4000K	2415lm	CRI 92 - 24°
700	25	4000K	2702lm	CRI 92 - 24°
750	27	4000K	2895lm	CRI 92 - 24°

COB	white	1,10	22208312-00	700	25	3000K - 2376lm - CRI 92 - 33°
	black		22208332-00			
COB	white	1,10	22208312-68	700	25	4000K - 2555lm - CRI 92 - 33°
	black		22208332-68			

DIP SWITCH SETTING			LUMEN OUTPUT (tq= 25 °C)	
I out	W tot	K	ølm	CRI - degrees
600	22	3000K	2124lm	CRI 92 - 33°
700	25	3000K	2376lm	CRI 92 - 33°
750	27	3000K	2546lm	CRI 92 - 33°

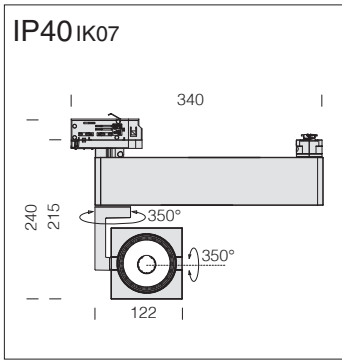
DIP SWITCH SETTING			LUMEN OUTPUT (tq= 25 °C)	
I out	W tot	K	ølm	CRI - degrees
600	22	4000K	2284lm	CRI 92 - 33°
700	25	4000K	2555lm	CRI 92 - 33°
750	27	4000K	2738lm	CRI 92 - 33°

COB	white	1,10	22208313-00	700	25	3000K - 2167lm - CRI 92 - 53°
	black		22208333-00			
COB	white	1,10	22208313-68	700	25	4000K - 2330lm - CRI 92 - 53°
	black		22208333-68			

DIP SWITCH SETTING			LUMEN OUTPUT (tq= 25 °C)	
I out	W tot	K	ølm	CRI - degrees
600	22	3000K	1937lm	CRI 92 - 53°
700	25	3000K	2167lm	CRI 92 - 53°
750	27	3000K	2322lm	CRI 92 - 53°

DIP SWITCH SETTING			LUMEN OUTPUT (tq= 25 °C)	
I out	W tot	K	ølm	CRI - degrees
600	22	4000K	2083lm	CRI 92 - 53°
700	25	4000K	2330lm	CRI 92 - 53°
750	27	4000K	2497lm	CRI 92 - 53°





**LED:** luminous flux maintenance  
80%: 50.000h (L80B20).  
Power factor >0.95.



The professional lighting sector, including architectural, design, commercial and industrial lighting, benefits from the latest smart light control systems, where light can be dimmed and adjusted in its direction, size, and colour, allowing unique settings, even remotely and via a smartphone. The result is a considerable reduction in costs and energy consumption.

Equipped with the Dynamic Beam Shaping™ technology, Focus LENS VECTOR can manage and control lighting digitally thanks to the innovative liquid crystal technology applied to the LED lens, which can shape the light beam.

**Focus with LENS VECTOR technology** allows you to adjust the light beam. Thanks to the possibility to control the liquid crystals digitally, you no longer need to change the lenses or the reflectors to create unique lighting scenes.

The spotlights of this series are equipped with a variable optical system, which means that it can change the beam angle through a digital input, without the need for a mechanical system. The optical system will dynamically adjust the opening angle of the light cone. The transition from a NARROW spotlight beam (approx. 10°) to a WIDE beam (approx. 50°) is smooth and gradual, offering high visual comfort.

**Focus LENS VECTOR exploits the nature of liquid crystals:**

liquid crystal molecules are elongated and naturally aligned in the same direction. The lens is made up of two glass substrates separated by spacers and sealed to contain the liquid crystal material, basically forming a liquid crystal sandwich.

When an electric field is applied to the lens, the liquid crystal molecules change direction and cause the light passing through the lens to be refocused. The LENS VECTOR technology therefore uses flat lenses containing liquid crystal molecules whose direction is controlled by an electric field that triggers a light scattering process with angles of up to 50°.

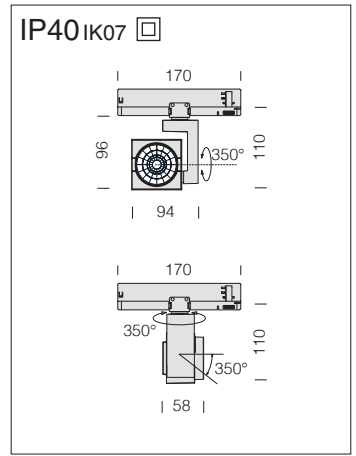
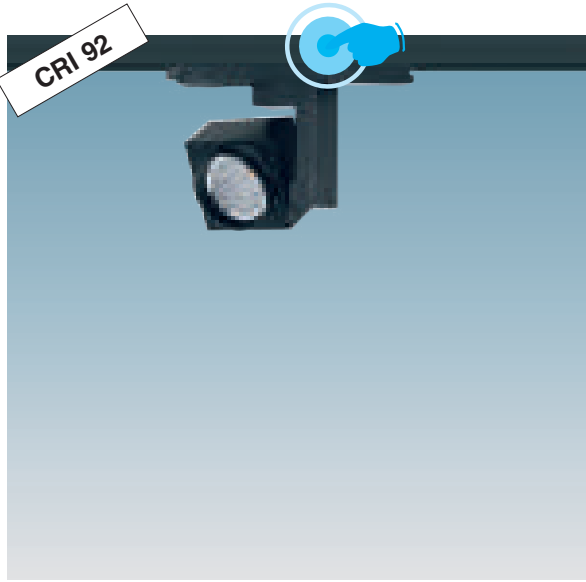
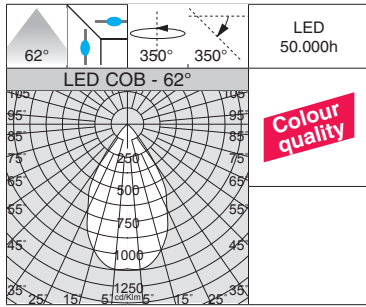


The technology used in Focus with LENS VECTOR works with most directional light sources and can be combined with control systems such as:

- 0-10V
- DALI
- DMX
- Bluetooth

Moreover, by using the Casambi app, available for iOS and Android platforms, you can dim the light source, select the desired beam angle, create dynamic light scenes, and change the colour temperature.





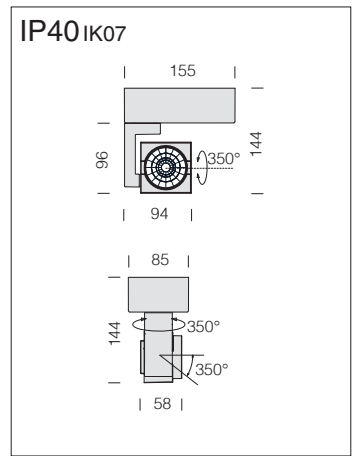
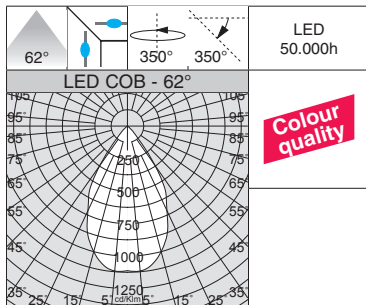
**LED:** luminous flux maintenance 80%: 50.000h (L80B20). Power factor >0.95.

Focus 5.0 R - DIP SWITCH - universal adapter						
LED	colour	weight	CLD code	I out	W tot	LUMEN OUTPUT (tq= 25 °C) K - ølm - CRI - degrees
COB	white	0,60	22108610-00	350	14	3000K - 1355lm - CRI 92 - 62°
	black		22108630-00			
COB	white	0,60	22108610-68	350	14	4000K - 1456lm - CRI 92 - 62°
	black		22108630-68			

Upon request: DALI -1241 and -6841 dimmable version to be used with OMNITRACK PLUS track-mounted system.

DIP SWITCH SETTING						
		LUMEN OUTPUT (tq= 25 °C)				
I out	W tot	K - ølm - CRI - degrees				
250	10	3000K - 1004lm - CRI 92 - 62°				
300	12	3000K - 1183lm - CRI 92 - 62°				
350	14	3000K - 1355lm - CRI 92 - 62°				

DIP SWITCH SETTING						
		LUMEN OUTPUT (tq= 25 °C)				
I out	W tot	K - ølm - CRI - degrees				
250	10	4000K - 1080lm - CRI 92 - 62°				
300	12	4000K - 1272lm - CRI 92 - 62°				
350	14	4000K - 1456lm - CRI 92 - 62°				



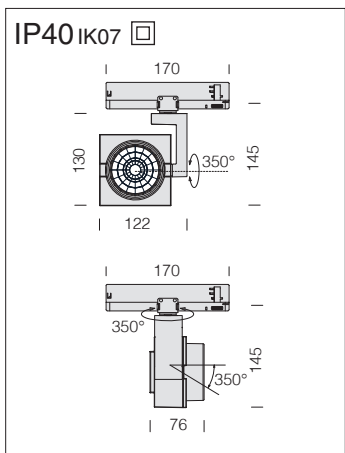
**LED:** luminous flux maintenance 80%: 50.000h (L80B20). Power factor >0.95.

Focus 5.0 R - DIP SWITCH - base						
LED	colour	weight	CLD code	I out	W tot	LUMEN OUTPUT (tq= 25 °C) K - ølm - CRI - degrees
COB	white	0,70	22208610-00	350	14	3000K - 1355lm - CRI 92 - 62°
	black		22208630-00			
COB	white	0,70	22208610-68	350	14	4000K - 1456lm - CRI 92 - 62°
	black		22208630-68			

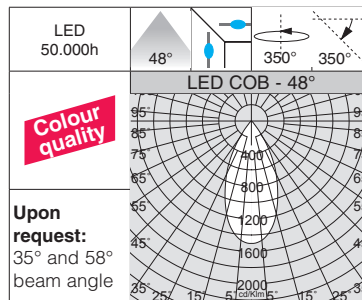
DIP SWITCH SETTING						
		LUMEN OUTPUT (tq= 25 °C)				
I out	W tot	K - ølm - CRI - degrees				
250	10	3000K - 1004lm - CRI 92 - 62°				
300	12	3000K - 1183lm - CRI 92 - 62°				
350	14	3000K - 1355lm - CRI 92 - 62°				

DIP SWITCH SETTING						
		LUMEN OUTPUT (tq= 25 °C)				
I out	W tot	K - ølm - CRI - degrees				
250	10	4000K - 1080lm - CRI 92 - 62°				
300	12	4000K - 1272lm - CRI 92 - 62°				
350	14	4000K - 1456lm - CRI 92 - 62°				





**LED:** luminous flux maintenance 80%: 50.000h (L80B20). Power factor >0.95.



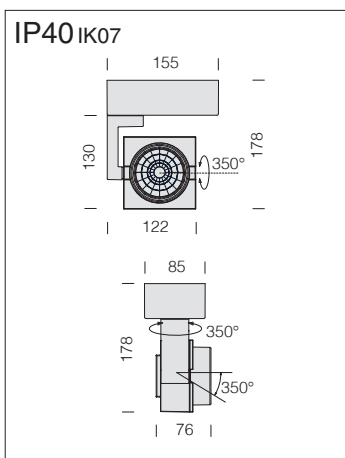
Focus 7.0 R - DIP SWITCH - universal adapter						
LED	colour	weight	CLD code	I out	W tot	LUMEN OUTPUT (tq= 25 °C) K - ølm - CRI - degrees
COB	white	0,75	22108210-00	700	27	3000K - 2938lm - CRI 92 - 48°
	black		22108230-00			
	m. silver		22108270-00			
COB	white	0,75	22108210-68	700	27	4000K - 3093lm - CRI 92 - 48°
	black		22108230-68			
	m. silver		22108270-68			

Upon request: DALI -1241 and -6841 dimmable version to be used with OMNITRACK PLUS track-mounted system.

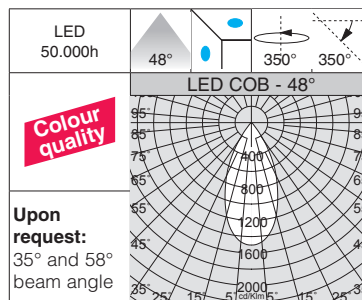
DIP SWITCH SETTING						
I out	W tot	LUMEN OUTPUT (tq= 25 °C) K - ølm - CRI - degrees				
650	25	3000K - 2753lm	CRI 92	- 48°		
700	27	3000K - 2938lm	CRI 92	- 48°		
750	29	3000K - 3122lm	CRI 92	- 48°		
800	31	3000K - 3293lm	CRI 92	- 48°		

DIP SWITCH SETTING						
I out	W tot	LUMEN OUTPUT (tq= 25 °C) K - ølm - CRI - degrees				
650	25	4000K - 2850lm	CRI 92	- 48°		
700	27	4000K - 3093lm	CRI 92	- 48°		
750	29	4000K - 3287lm	CRI 92	- 48°		
800	31	4000K - 3465lm	CRI 92	- 48°		



**LED:** luminous flux maintenance 80%: 50.000h (L80B20). Power factor >0.95.

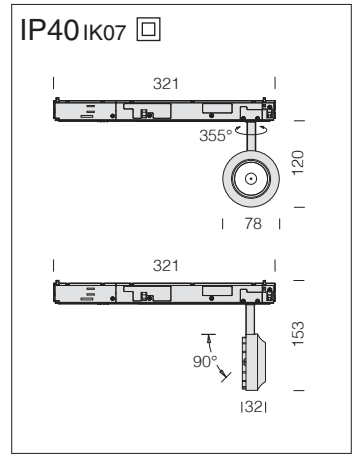
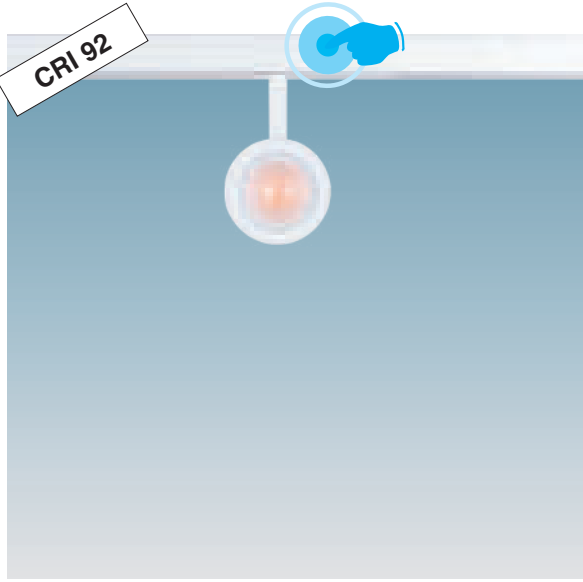
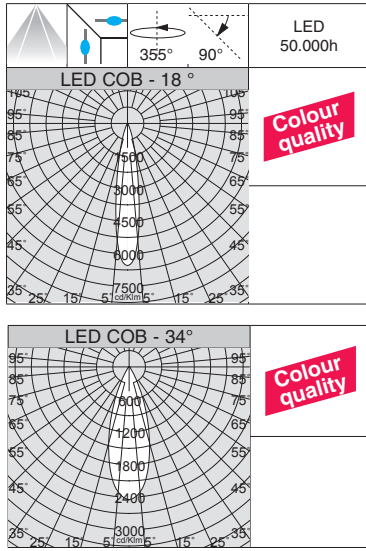


Focus 7.0 R - DIP SWITCH - base						
LED	colour	weight	CLD code	I out	W tot	LUMEN OUTPUT (tq= 25 °C) K - ølm - CRI - degrees
COB	white	1,10	22208210-00	700	27	3000K - 2938lm - CRI 92 - 48°
	black		22208230-00			
	m. silver		22208270-00			
COB	white	1,10	22208210-68	700	27	4000K - 3093lm - CRI 92 - 48°
	black		22208230-68			
	m. silver		22208270-68			

DIP SWITCH SETTING						
I out	W tot	LUMEN OUTPUT (tq= 25 °C) K - ølm - CRI - degrees				
650	25	3000K - 2753lm	CRI 92	- 48°		
700	27	3000K - 2938lm	CRI 92	- 48°		
750	29	3000K - 3122lm	CRI 92	- 48°		
800	31	3000K - 3293lm	CRI 92	- 48°		

DIP SWITCH SETTING						
I out	W tot	LUMEN OUTPUT (tq= 25 °C) K - ølm - CRI - degrees				
650	25	4000K - 2850lm	CRI 92	- 48°		
700	27	4000K - 3093lm	CRI 92	- 48°		
750	29	4000K - 3287lm	CRI 92	- 48°		
800	31	4000K - 3465lm	CRI 92	- 48°		



**LED:** luminous flux maintenance 80%: 50.000h (L80B20). Power factor >0.95.

Focus SLIM "T" 5.0 - DIP SWITCH - universal concealed adapter						
LED	colour	weight	code	I out	W tot	LUMEN OUTPUT (tq= 25 °C) K - ølm - CRI - degrees
COB	white	0,30	22106410-00	350	14	3000K - 1332lm - <b>CRI 92</b> - 18°
	black		22106430-00			
COB	white	0,30	22106410-68	350	14	4000K - 1403lm - <b>CRI 92</b> - 18°
	black		22106430-68			

DIP SWITCH SETTING		
I out	W tot	LUMEN OUTPUT (tq= 25 °C) K - ølm - CRI - degrees
250	10	3000K - 1001lm - <b>CRI 92</b> - 18°
300	12	3000K - 1170lm - <b>CRI 92</b> - 18°
350	14	3000K - 1332lm - <b>CRI 92</b> - 18°

COB	white	0,30	22106411-00	350	14	3000K - 1297lm - <b>CRI 92</b> - 34°
	black		22106431-00			
COB	white	0,30	22106411-68	350	14	4000K - 1365lm - <b>CRI 92</b> - 34°
	black		22106431-68			

DIP SWITCH SETTING		
I out	W tot	LUMEN OUTPUT (tq= 25 °C) K - ølm - CRI - degrees
250	10	4000K - 1054lm - <b>CRI 92</b> - 18°
300	12	4000K - 1232lm - <b>CRI 92</b> - 18°
350	14	4000K - 1403lm - <b>CRI 92</b> - 18°

DIP SWITCH SETTING		
I out	W tot	LUMEN OUTPUT (tq= 25 °C) K - ølm - CRI - degrees
250	10	3000K - 974lm - <b>CRI 92</b> - 34°
300	12	3000K - 1139lm - <b>CRI 92</b> - 34°
350	14	3000K - 1297lm - <b>CRI 92</b> - 34°

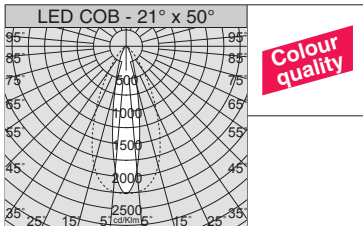
COB	white	0,30	22106412-00	350	14	3000K - 1405lm - <b>CRI 92</b> - 58°
	black		22106432-00			
COB	white	0,30	22106412-68	350	14	4000K - 1479lm - <b>CRI 92</b> - 58°
	black		22106432-68			

DIP SWITCH SETTING		
I out	W tot	LUMEN OUTPUT (tq= 25 °C) K - ølm - CRI - degrees
250	10	4000K - 1026lm - <b>CRI 92</b> - 34°
300	12	4000K - 1199lm - <b>CRI 92</b> - 34°
350	14	4000K - 1365lm - <b>CRI 92</b> - 34°

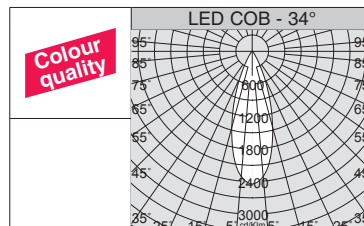
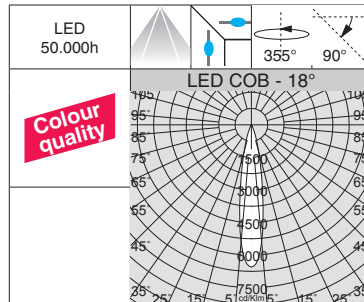
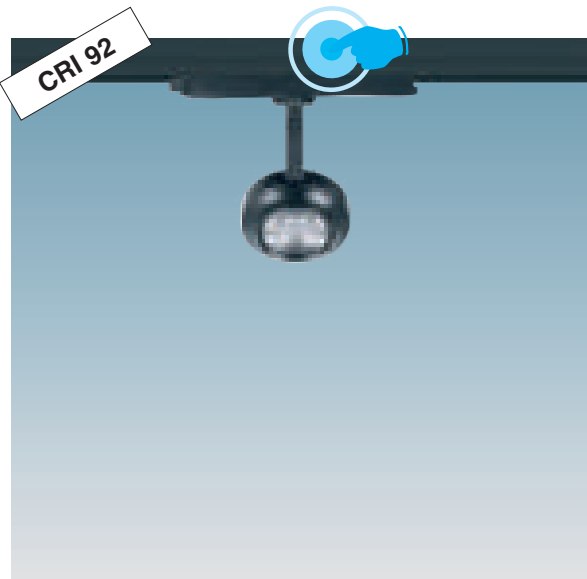
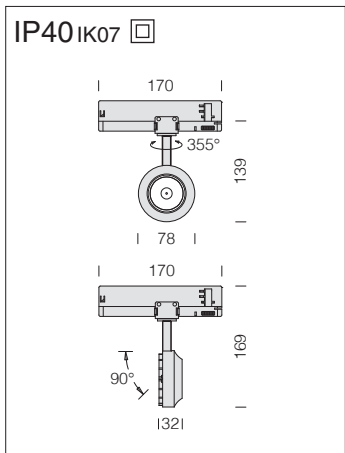
DIP SWITCH SETTING		
I out	W tot	LUMEN OUTPUT (tq= 25 °C) K - ølm - CRI - degrees
250	10	3000K - 1056lm - <b>CRI 92</b> - 58°
300	12	3000K - 1234lm - <b>CRI 92</b> - 58°
350	14	3000K - 1405lm - <b>CRI 92</b> - 58°

Upon request: DALI dimmable version -1241 and -6841 to be used with OMNITRACK PLUS track-mounted system.

DIP SWITCH SETTING		
I out	W tot	LUMEN OUTPUT (tq= 25 °C) K - ølm - CRI - degrees
250	10	4000K - 1111lm - <b>CRI 92</b> - 58°
300	12	4000K - 1299lm - <b>CRI 92</b> - 58°
350	14	4000K - 1479lm - <b>CRI 92</b> - 58°



Upon request: 21° x 50° ELLIPTICAL version.



LED: luminous flux maintenance 80%: 50.000h (L80B20). Power factor >0.95.

**Focus SLIM "T" 5.0 - DIP SWITCH - universal adapter**

LED		CLD		LUMEN OUTPUT (tq= 25 °C)	
colour	weight	code	I out	W tot	K - ølm - CRI - degrees
COB	white	22106510-00	350	14	3000K - 1332lm - CRI 92 - 18°
	black	22106530-00			
COB	white	22106510-68	350	14	4000K - 1403lm - CRI 92 - 18°
	black	22106530-68			

DIP SWITCH SETTING		LUMEN OUTPUT (tq= 25 °C)	
I out	W tot	K - ølm - CRI - degrees	
250	10	3000K - 1001lm - CRI 92 - 18°	
300	12	3000K - 1170lm - CRI 92 - 18°	
350	14	3000K - 1332lm - CRI 92 - 18°	

DIP SWITCH SETTING		LUMEN OUTPUT (tq= 25 °C)	
I out	W tot	K - ølm - CRI - degrees	
250	10	4000K - 1054lm - CRI 92 - 18°	
300	12	4000K - 1232lm - CRI 92 - 18°	
350	14	4000K - 1403lm - CRI 92 - 18°	

COB	white	0,30	22106511-00	350	14	3000K - 1297lm - CRI 92 - 34°
	black		22106531-00			
COB	white	0,30	22106511-68	350	14	4000K - 1365lm - CRI 92 - 34°
	black		22106531-68			

DIP SWITCH SETTING		LUMEN OUTPUT (tq= 25 °C)	
I out	W tot	K - ølm - CRI - degrees	
250	10	3000K - 974lm - CRI 92 - 34°	
300	12	3000K - 1139lm - CRI 92 - 34°	
350	14	3000K - 1297lm - CRI 92 - 34°	

DIP SWITCH SETTING		LUMEN OUTPUT (tq= 25 °C)	
I out	W tot	K - ølm - CRI - degrees	
250	10	4000K - 1026lm - CRI 92 - 34°	
300	12	4000K - 1199lm - CRI 92 - 34°	
350	14	4000K - 1365lm - CRI 92 - 34°	

COB	white	0,30	22106512-00	350	14	3000K - 1405m - CRI 92 - 58°
	black		22106532-00			
COB	white	0,30	22106512-68	350	14	4000K - 1479lm - CRI 92 - 58°
	black		22106532-68			

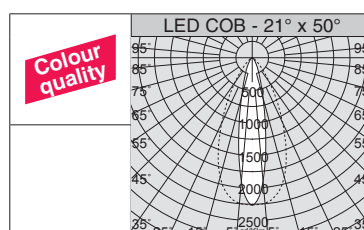
DIP SWITCH SETTING		LUMEN OUTPUT (tq= 25 °C)	
I out	W tot	K - ølm - CRI - degrees	
250	10	3000K - 1056lm - CRI 92 - 58°	
300	12	3000K - 1234lm - CRI 92 - 58°	
350	14	3000K - 1405lm - CRI 92 - 58°	

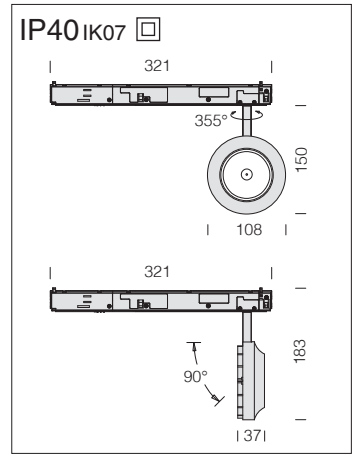
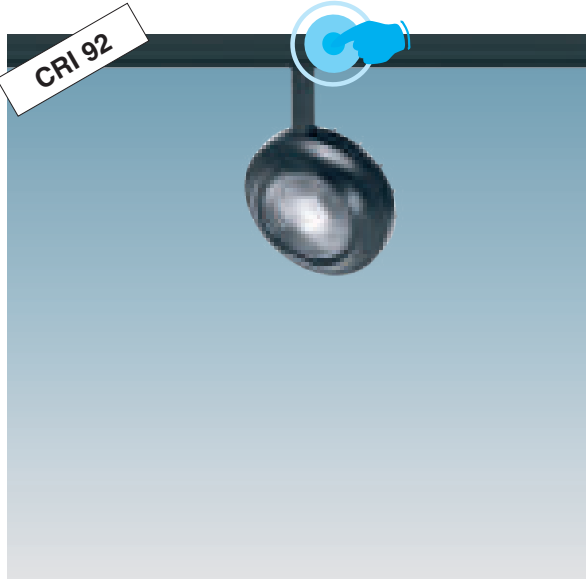
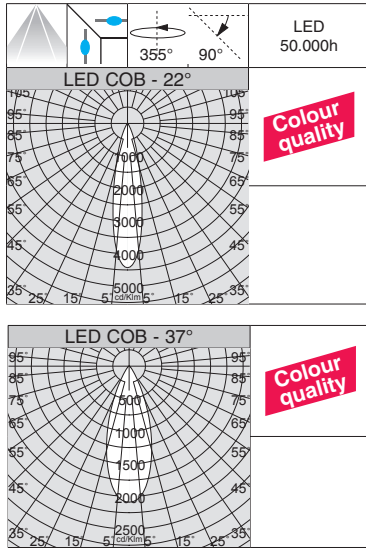
DIP SWITCH SETTING		LUMEN OUTPUT (tq= 25 °C)	
I out	W tot	K - ølm - CRI - degrees	
250	10	4000K - 1111lm - CRI 92 - 58°	
300	12	4000K - 1299lm - CRI 92 - 58°	
350	14	4000K - 1479lm - CRI 92 - 58°	

Upon request: DALI -1241 and -6841 dimmable version to be used with OMNITRACK PLUS track-mounted system.



Upon request: 21° x 50° ELLIPTICAL version.





**LED:** luminous flux maintenance 80%: 50.000h (L80B20). Power factor >0.95.

Focus SLIM "T" 7.0 - DIP SWITCH - universal concealed adapter						
LED	colour	weight	CLD code	I out	W tot	LUMEN OUTPUT (tq= 25 °C) K - ølm - CRI - degrees
COB	white	0,40	22106610-00	600	23	3000K - 2332lm - <b>CRI 92</b> - 22°
	black		22106630-00			
COB	white	0,40	22106610-68	600	23	4000K - 2455lm - <b>CRI 92</b> - 22°
	black		22106630-68			

DIP SWITCH SETTING			LUMEN OUTPUT (tq= 25 °C)		
I out	W tot	K - ølm - CRI - degrees	I out	W tot	K - ølm - CRI - degrees
500	19	3000K - 1988lm - <b>CRI 92</b> - 22°	500	19	3000K - 1988lm - <b>CRI 92</b> - 22°
550	21	3000K - 2166lm - <b>CRI 92</b> - 22°	550	21	3000K - 2166lm - <b>CRI 92</b> - 22°
600	23	3000K - 2332lm - <b>CRI 92</b> - 22°	600	23	3000K - 2332lm - <b>CRI 92</b> - 22°

COB	white	0,40	22106611-00	600	23	3000K - 2277lm - <b>CRI 92</b> - 37°
	black		22106631-00			
COB	white	0,40	22106611-68	600	23	4000K - 2397lm - <b>CRI 92</b> - 37°
	black		22106631-68			

DIP SWITCH SETTING			LUMEN OUTPUT (tq= 25 °C)		
I out	W tot	K - ølm - CRI - degrees	I out	W tot	K - ølm - CRI - degrees
500	19	4000K - 2092lm - <b>CRI 92</b> - 22°	500	19	4000K - 2092lm - <b>CRI 92</b> - 22°
550	21	4000K - 2280lm - <b>CRI 92</b> - 22°	550	21	4000K - 2280lm - <b>CRI 92</b> - 22°
600	23	4000K - 2455lm - <b>CRI 92</b> - 22°	600	23	4000K - 2455lm - <b>CRI 92</b> - 22°

DIP SWITCH SETTING			LUMEN OUTPUT (tq= 25 °C)		
I out	W tot	K - ølm - CRI - degrees	I out	W tot	K - ølm - CRI - degrees
500	19	3000K - 1941lm - <b>CRI 92</b> - 37°	500	19	3000K - 1941lm - <b>CRI 92</b> - 37°
550	21	3000K - 2115lm - <b>CRI 92</b> - 37°	550	21	3000K - 2115lm - <b>CRI 92</b> - 37°
600	23	3000K - 2277lm - <b>CRI 92</b> - 37°	600	23	3000K - 2277lm - <b>CRI 92</b> - 37°

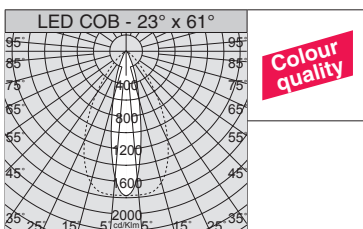
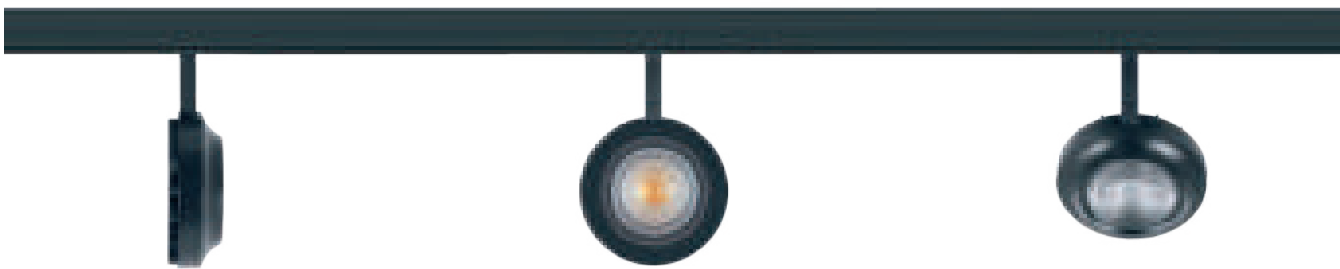
COB	white	0,40	22106612-00	600	23	3000K - 2267lm - <b>CRI 92</b> - 55°
	black		22106632-00			
COB	white	0,40	22106612-68	600	23	4000K - 2386lm - <b>CRI 92</b> - 55°
	black		22106632-68			

DIP SWITCH SETTING			LUMEN OUTPUT (tq= 25 °C)		
I out	W tot	K - ølm - CRI - degrees	I out	W tot	K - ølm - CRI - degrees
500	19	4000K - 2043lm - <b>CRI 92</b> - 37°	500	19	4000K - 2043lm - <b>CRI 92</b> - 37°
550	21	4000K - 2226lm - <b>CRI 92</b> - 37°	550	21	4000K - 2226lm - <b>CRI 92</b> - 37°
600	23	4000K - 2397lm - <b>CRI 92</b> - 37°	600	23	4000K - 2397lm - <b>CRI 92</b> - 37°

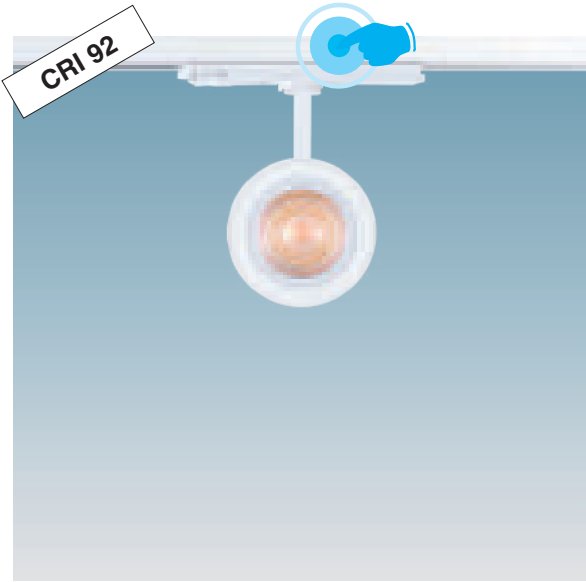
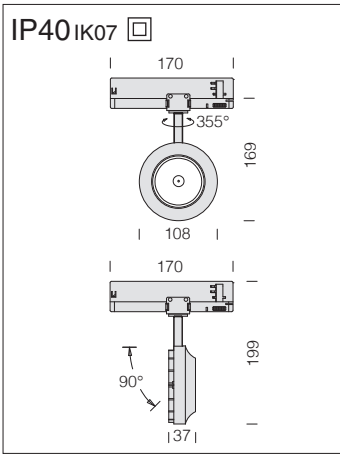
DIP SWITCH SETTING			LUMEN OUTPUT (tq= 25 °C)		
I out	W tot	K - ølm - CRI - degrees	I out	W tot	K - ølm - CRI - degrees
500	19	3000K - 1932lm - <b>CRI 92</b> - 55°	500	19	3000K - 1932lm - <b>CRI 92</b> - 55°
550	21	3000K - 2105lm - <b>CRI 92</b> - 55°	550	21	3000K - 2105lm - <b>CRI 92</b> - 55°
600	23	3000K - 2267lm - <b>CRI 92</b> - 55°	600	23	3000K - 2267lm - <b>CRI 92</b> - 55°

Version complete with concealed adapter (upon request **DALI -1241** and **-6841** dimmable version max. 500mA) to be used only with **OMNITRACK PLUS** track-mounted system.

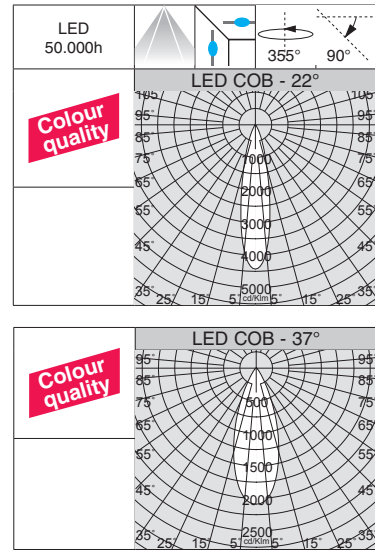
DIP SWITCH SETTING			LUMEN OUTPUT (tq= 25 °C)		
I out	W tot	K - ølm - CRI - degrees	I out	W tot	K - ølm - CRI - degrees
500	19	4000K - 2034lm - <b>CRI 92</b> - 55°	500	19	4000K - 2034lm - <b>CRI 92</b> - 55°
550	21	4000K - 2216lm - <b>CRI 92</b> - 55°	550	21	4000K - 2216lm - <b>CRI 92</b> - 55°
600	23	4000K - 2386lm - <b>CRI 92</b> - 55°	600	23	4000K - 2386lm - <b>CRI 92</b> - 55°



Upon request: 23° x 61° ELLIPTICAL version.



LED: luminous flux maintenance 80%: 50.000h (L80B20). Power factor >0.95.



Focus SLIM "T" 7.0 - DIP SWITCH - universal adapter						
LED	colour	weight	CLD code	I out	W tot	LUMEN OUTPUT (tq= 25 °C) K - ølm - CRI - degrees
COB	white	0,40	22106710-00	600	23	3000K - 2332lm - CRI 92 - 22°
	black		22106730-00			
COB	white	0,40	22106710-68	600	23	4000K - 2455lm - CRI 92 - 22°
	black		22106730-68			

DIP SWITCH SETTING			LUMEN OUTPUT (tq= 25 °C)	
I out	W tot	K - ølm - CRI - degrees		
500	19	3000K - 1988lm - CRI 92 - 22°		
550	21	3000K - 2166lm - CRI 92 - 22°		
600	23	3000K - 2332lm - CRI 92 - 22°		

DIP SWITCH SETTING			LUMEN OUTPUT (tq= 25 °C)	
I out	W tot	K - ølm - CRI - degrees		
500	19	4000K - 2092lm - CRI 92 - 22°		
550	21	4000K - 2280lm - CRI 92 - 22°		
600	23	4000K - 2455lm - CRI 92 - 22°		

COB	white	0,40	22106711-00	600	23	3000K - 2277lm - CRI 92 - 37°
	black		22106731-00			
COB	white	0,40	22106711-68	600	23	4000K - 2397lm - CRI 92 - 37°
	black		22106731-68			

DIP SWITCH SETTING			LUMEN OUTPUT (tq= 25 °C)	
I out	W tot	K - ølm - CRI - degrees		
500	19	3000K - 1941lm - CRI 92 - 37°		
550	21	3000K - 2115lm - CRI 92 - 37°		
600	23	3000K - 2277lm - CRI 92 - 37°		

DIP SWITCH SETTING			LUMEN OUTPUT (tq= 25 °C)	
I out	W tot	K - ølm - CRI - degrees		
500	19	4000K - 2043lm - CRI 92 - 37°		
550	21	4000K - 2226lm - CRI 92 - 37°		
600	23	4000K - 2397lm - CRI 92 - 37°		

COB	white	0,40	22106712-00	600	23	3000K - 2267lm - CRI 92 - 55°
	black		22106732-00			
COB	white	0,40	22106712-68	600	23	4000K - 2386lm - CRI 92 - 55°
	black		22106732-68			

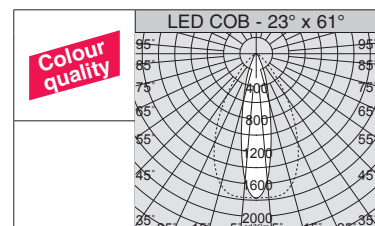
DIP SWITCH SETTING			LUMEN OUTPUT (tq= 25 °C)	
I out	W tot	K - ølm - CRI - degrees		
500	19	3000K - 1932lm - CRI 92 - 55°		
550	21	3000K - 2105lm - CRI 92 - 55°		
600	23	3000K - 2267lm - CRI 92 - 55°		

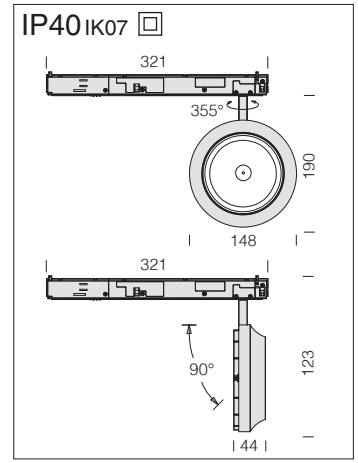
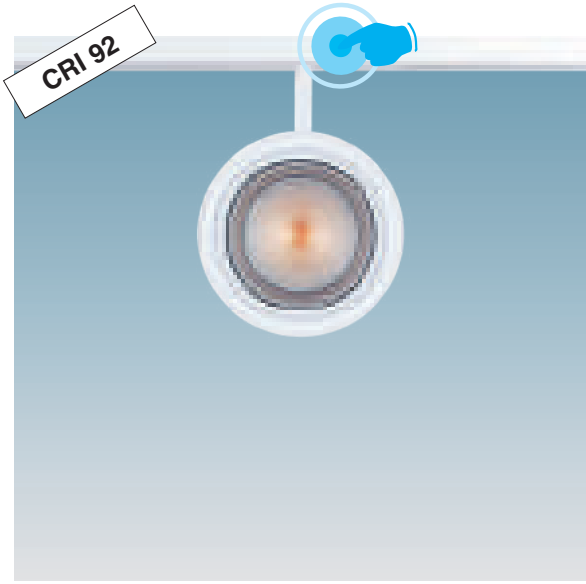
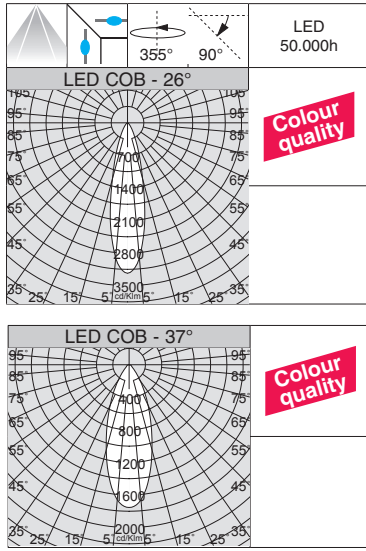
DIP SWITCH SETTING			LUMEN OUTPUT (tq= 25 °C)	
I out	W tot	K - ølm - CRI - degrees		
500	19	4000K - 2034lm - CRI 92 - 55°		
550	21	4000K - 2216lm - CRI 92 - 55°		
600	23	4000K - 2386lm - CRI 92 - 55°		

Upon request: DALI -1241 and -6841 dimmable version to be used with OMNITRACK PLUS track-mounted system.



Upon request: 23° x 61° ELLIPTICAL version.





**LED:** luminous flux maintenance 80%: 50.000h (L80B20). Power factor >0.95.

Focus SLIM "T" 111 - DIP SWITCH - universal concealed adapter						
LED	colour	weight	CLD code	I out	W tot	LUMEN OUTPUT (tq= 25 °C) K - ølm - CRI - degrees
COB	white	0,70	22106810-00	700	26	3000K - 3085lm - <b>CRI 92</b> - 26°
	black		22106830-00			
COB	white	0,70	22106810-68	700	26	4000K - 3284lm - <b>CRI 92</b> - 26°
	black		22106830-68			

DIP SWITCH SETTING			LUMEN OUTPUT (tq= 25 °C)	
I out	W tot	K - ølm - CRI - degrees		
500	18	3000K - 2272lm - <b>CRI 92</b> - 26°		
600	22	3000K - 2696lm - <b>CRI 92</b> - 26°		
700	26	3000K - 3085lm - <b>CRI 92</b> - 26°		

DIP SWITCH SETTING			LUMEN OUTPUT (tq= 25 °C)	
I out	W tot	K - ølm - CRI - degrees		
500	18	4000K - 2391lm - <b>CRI 92</b> - 26°		
600	22	4000K - 2838lm - <b>CRI 92</b> - 26°		
700	26	4000K - 3284lm - <b>CRI 92</b> - 26°		

COB	white	0,70	22106811-00	700	26	3000K - 2938lm - <b>CRI 92</b> - 37°
	black		22106831-00			
COB	white	0,70	22106811-68	700	26	4000K - 3093lm - <b>CRI 92</b> - 37°
	black		22106831-68			

DIP SWITCH SETTING			LUMEN OUTPUT (tq= 25 °C)	
I out	W tot	K - ølm - CRI - degrees		
500	18	3000K - 2164lm - <b>CRI 92</b> - 37°		
600	22	3000K - 2568lm - <b>CRI 92</b> - 37°		
700	26	3000K - 2938lm - <b>CRI 92</b> - 37°		

DIP SWITCH SETTING			LUMEN OUTPUT (tq= 25 °C)	
I out	W tot	K - ølm - CRI - degrees		
500	18	4000K - 2277lm - <b>CRI 92</b> - 37°		
600	22	4000K - 2703lm - <b>CRI 92</b> - 37°		
700	26	4000K - 3093lm - <b>CRI 92</b> - 37°		

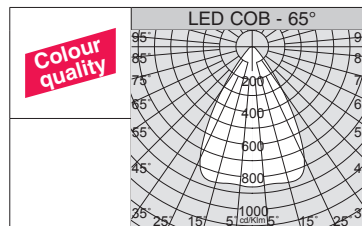
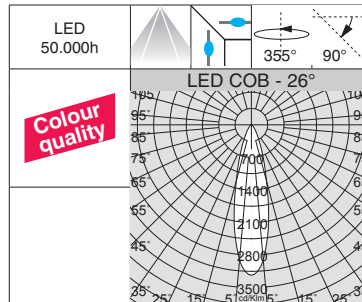
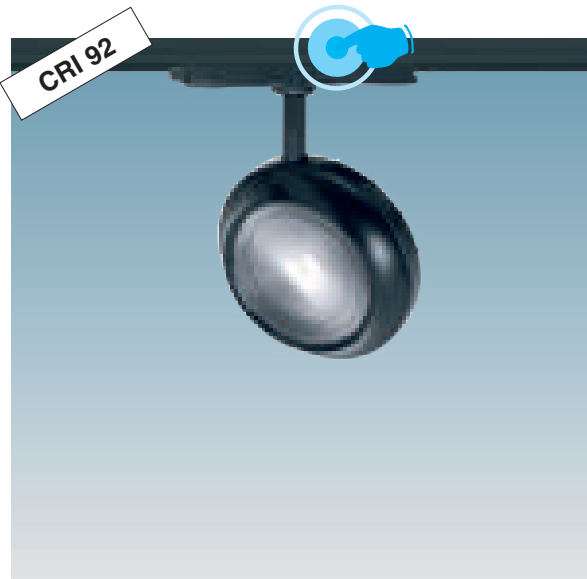
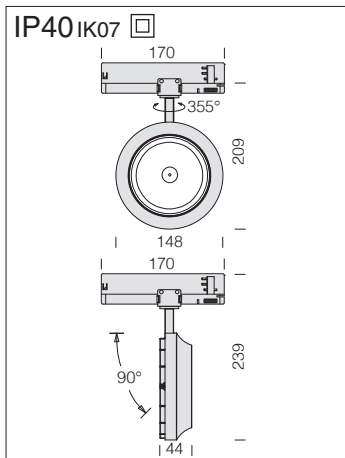
COB	white	0,70	22106812-00	700	26	3000K - 2791lm - <b>CRI 92</b> - 65°
	black		22106832-00			
COB	white	0,70	22106812-68	700	26	4000K - 2938lm - <b>CRI 92</b> - 65°
	black		22106832-68			

DIP SWITCH SETTING			LUMEN OUTPUT (tq= 25 °C)	
I out	W tot	K - ølm - CRI - degrees		
500	18	3000K - 2056lm - <b>CRI 92</b> - 65°		
600	22	3000K - 2440lm - <b>CRI 92</b> - 65°		
700	26	3000K - 2791lm - <b>CRI 92</b> - 65°		

DIP SWITCH SETTING			LUMEN OUTPUT (tq= 25 °C)	
I out	W tot	K - ølm - CRI - degrees		
500	18	4000K - 2163lm - <b>CRI 92</b> - 65°		
600	22	4000K - 2568lm - <b>CRI 92</b> - 65°		
700	26	4000K - 2938lm - <b>CRI 92</b> - 65°		

Version complete with concealed adapter (upon request **DALI -1241** and **-6841** dimmable version max. 500mA) to be used only with **OMNITRACK PLUS** track-mounted system.





LED: luminous flux maintenance 80%: 50.000h (L80B20). Power factor >0.95.

Focus SLIM "T" 111 - DIP SWITCH - universal adapter						
LED	colour	weight	CLD code	I out	W tot	LUMEN OUTPUT (tq= 25 °C) K - ølm - CRI - degrees
COB	white	0,70	22106910-00	700	26	3000K - 3085lm - CRI 92 - 26°
	black		22106930-00			
COB	white	0,70	22106910-68	700	26	4000K - 3284lm - CRI 92 - 26°
	black		22106930-68			

DIP SWITCH SETTING			LUMEN OUTPUT (tq= 25 °C)	
I out	W tot	K - ølm - CRI - degrees		
550	20	3000K - 2499lm - CRI 92 - 26°		
600	22	3000K - 2696lm - CRI 92 - 26°		
700	26	3000K - 3085lm - CRI 92 - 26°		

DIP SWITCH SETTING			LUMEN OUTPUT (tq= 25 °C)	
I out	W tot	K - ølm - CRI - degrees		
550	20	4000K - 2630lm - CRI 92 - 26°		
600	22	4000K - 2838lm - CRI 92 - 26°		
700	26	4000K - 3284lm - CRI 92 - 26°		

COB	white	0,70	22106911-00	700	26	3000K - 2938lm - CRI 92 - 37°
	black		22106931-00			
COB	white	0,70	22106911-68	700	26	4000K - 3093lm - CRI 92 - 37°
	black		22106931-68			

DIP SWITCH SETTING			LUMEN OUTPUT (tq= 25 °C)	
I out	W tot	K - ølm - CRI - degrees		
550	20	3000K - 2380lm - CRI 92 - 37°		
600	22	3000K - 2568lm - CRI 92 - 37°		
700	26	3000K - 2938lm - CRI 92 - 37°		

DIP SWITCH SETTING			LUMEN OUTPUT (tq= 25 °C)	
I out	W tot	K - ølm - CRI - degrees		
550	20	4000K - 2504lm - CRI 92 - 37°		
600	22	4000K - 2703lm - CRI 92 - 37°		
700	26	4000K - 3093lm - CRI 92 - 37°		

COB	white	0,70	22106912-00	700	26	3000K - 2791lm - CRI 92 - 65°
	black		22106932-00			
COB	white	0,70	22106912-68	700	26	4000K - 2938lm - CRI 92 - 65°
	black		22106932-68			

DIP SWITCH SETTING			LUMEN OUTPUT (tq= 25 °C)	
I out	W tot	K - ølm - CRI - degrees		
550	20	3000K - 2272lm - CRI 92 - 65°		
600	22	3000K - 2440lm - CRI 92 - 65°		
700	26	3000K - 2791lm - CRI 92 - 65°		

DIP SWITCH SETTING			LUMEN OUTPUT (tq= 25 °C)	
I out	W tot	K - ølm - CRI - degrees		
550	20	4000K - 2379lm - CRI 92 - 65°		
600	22	4000K - 2568lm - CRI 92 - 65°		
700	26	4000K - 2938lm - CRI 92 - 65°		

Upon request: DALI -1241 and -6841 dimmable version to be used with OMNITRACK PLUS track-mounted system.





The primary goal of indoor lighting is to enhance visual wellbeing, aesthetic quality and energy savings. The new LED sources allow high luminance levels and excellent colour rendering. The new Asso spotlights are perfect for all spaces where the rendering of reflexes, transparencies, whites and colours is important.

**Housing:** in die-cast aluminium.

**Reflector:** in die-cast polished aluminium, high efficiency and anti-glare.

**Standard supply:** supplied with universal adapter.

**Coating:** power-coated with a UV-resistant polyester epoxy paint.

**LED:** luminous flux maintenance 80%: 50.000h (L80B20). Power factor >0.9.  
Photobiological safety class: Exempt group.

**Upon request:** version with CASAMBI automation lighting control system.  
For further information see chapter *Technical components*.

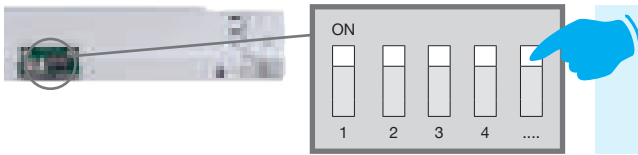




**Fosnova extends its range of spotlights with the low voltage models:**

available upon request the new 48V DC Asso spotlights mounted on low voltage Omnitrack MICRO systems make up the perfect lighting solution in settings where accent lighting with very low energy consumption must also reinforce the style and aesthetics of the room.

For more information visit [www.disano.it](http://www.disano.it)

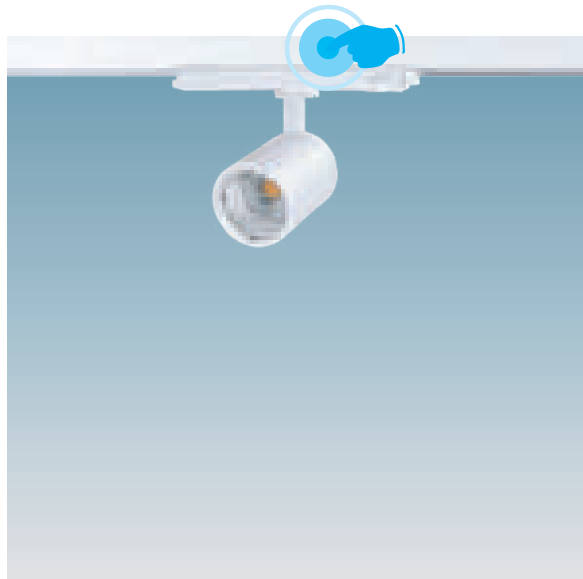
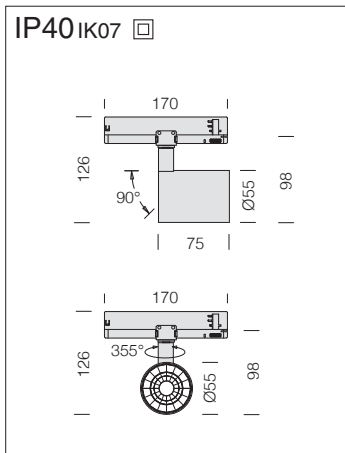


## ADAPT THE CURRENT TO ACHIEVE OPTIMAL LUMINOUS FLUX

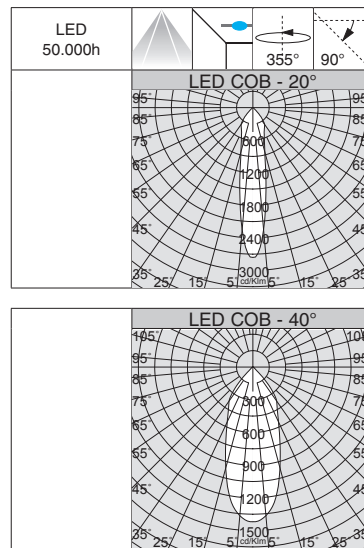
**DIP SWITCH SETTING:** the fixture comes with a *DIP SWITCH* driver for **THE SETTING OF THE OUTPUT CURRENT**. In this way you, can **ENSURE THE BEST LUMINOUS FLUX** for any lighting design.

The possibility to choose the correct drive current for LEDs will allow you to have the right power under specific design conditions. Using a lower current will improve the efficiency of fixtures and therefore increase energy savings, whilst a higher current will result in a higher light flux so that you can reduce the number of fixtures.





**LED:** luminous flux maintenance 80%: 50.000h (L80B20). Power factor >0.95.



Asso "B" small - DIP SWITCH						
LED	colour	weight	CLD code	I out	W tot	LUMEN OUTPUT (tq= 25 °C) K - ølm - CRI - degrees
COB	white	0,65	22040810-00	350	14	3000K - 1478lm - CRI>80 - 20°
	black		22040830-00			
COB	white	0,65	22040810-68	350	14	4000K - 1556lm - CRI>80 - 20°
	black		22040830-68			

DIP SWITCH SETTING			LUMEN OUTPUT (tq= 25 °C)	
I out	W tot	K	ølm	CRI - degrees
250	10	3000K	1110lm	CRI>80 - 20°
300	12	3000K	1294lm	CRI>80 - 20°
350	14	3000K	1478lm	CRI>80 - 20°

DIP SWITCH SETTING			LUMEN OUTPUT (tq= 25 °C)	
I out	W tot	K	ølm	CRI - degrees
250	10	4000K	1169lm	CRI>80 - 20°
300	12	4000K	1362lm	CRI>80 - 20°
350	14	4000K	1556lm	CRI>80 - 20°

COB	white	0,65	22040812-00	350	14	3000K - 1492lm - CRI>80 - 28°
	black		22040832-00			
COB	white	0,65	22040812-68	350	14	4000K - 1571lm - CRI>80 - 28°
	black		22040832-68			

DIP SWITCH SETTING			LUMEN OUTPUT (tq= 25 °C)	
I out	W tot	K	ølm	CRI - degrees
250	10	3000K	1120lm	CRI>80 - 28°
300	12	3000K	1306lm	CRI>80 - 28°
350	14	3000K	1492lm	CRI>80 - 28°

DIP SWITCH SETTING			LUMEN OUTPUT (tq= 25 °C)	
I out	W tot	K	ølm	CRI - degrees
250	10	4000K	1180lm	CRI>80 - 28°
300	12	4000K	1375lm	CRI>80 - 28°
350	14	4000K	1571lm	CRI>80 - 28°

COB	white	0,65	22040814-00	350	14	3000K - 1424lm - CRI>80 - 40°
	black		22040834-00			
COB	white	0,65	22040814-68	350	14	4000K - 1499lm - CRI>80 - 40°
	black		22040834-68			

DIP SWITCH SETTING			LUMEN OUTPUT (tq= 25 °C)	
I out	W tot	K	ølm	CRI - degrees
250	10	3000K	1070lm	CRI>80 - 40°
300	12	3000K	1247lm	CRI>80 - 40°
350	14	3000K	1424lm	CRI>80 - 40°

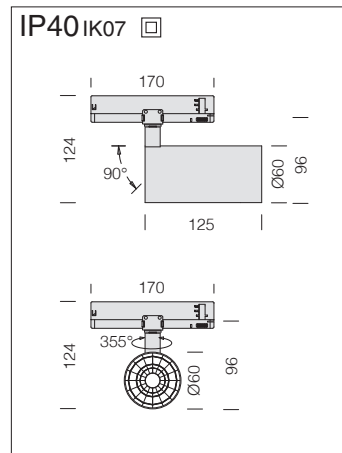
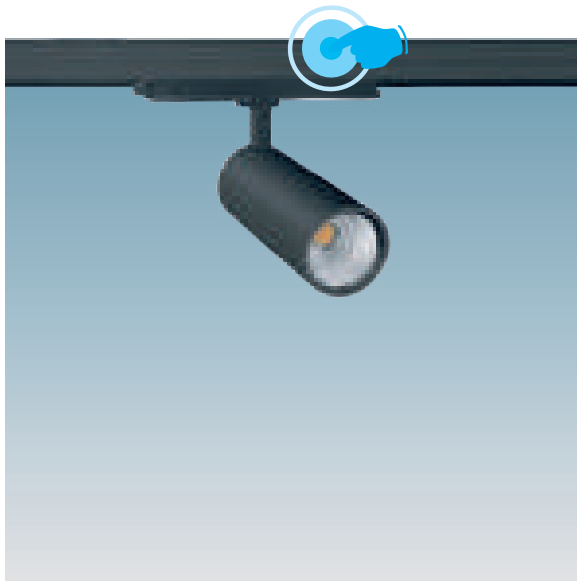
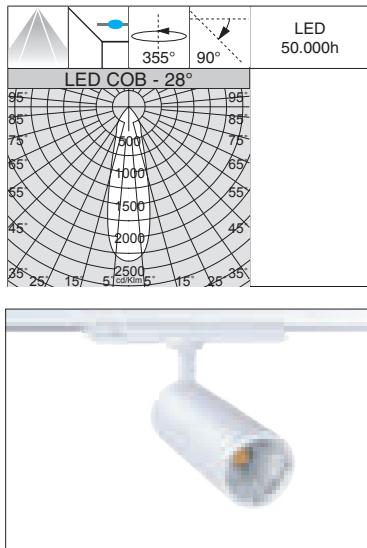
DIP SWITCH SETTING			LUMEN OUTPUT (tq= 25 °C)	
I out	W tot	K	ølm	CRI - degrees
250	10	4000K	1126lm	CRI>80 - 40°
300	12	4000K	1312lm	CRI>80 - 40°
350	14	4000K	1499lm	CRI>80 - 40°

COB	white	0,65	22040816-00	350	14	3000K - 1436lm - CRI>80 - 60°
	black		22040836-00			
COB	white	0,65	22040816-68	350	14	4000K - 1512lm - CRI>80 - 60°
	black		22040836-68			

DIP SWITCH SETTING			LUMEN OUTPUT (tq= 25 °C)	
I out	W tot	K	ølm	CRI - degrees
250	10	3000K	1078lm	CRI>80 - 60°
300	12	3000K	1257lm	CRI>80 - 60°
350	14	3000K	1436lm	CRI>80 - 60°

DIP SWITCH SETTING			LUMEN OUTPUT (tq= 25 °C)	
I out	W tot	K	ølm	CRI - degrees
250	10	4000K	1136lm	CRI>80 - 60°
300	12	4000K	1324lm	CRI>80 - 60°
350	14	4000K	1512lm	CRI>80 - 60°

Upon request: DALI -1241 and -6841 dimmable version to be used with OMNITRACK PLUS track-mounted system.



**LED:** luminous flux maintenance 80%: 50.000h (L80B20). Power factor >0.95.

Asso "B" medium - DIP SWITCH						
LED		CLD		LUMEN OUTPUT (tq= 25 °C)		
colour	weight	code	I out	W tot	K - ølm - CRI - degrees	
COB	white	0,80	22043310-00	600	22	3000K - 2692lm - CRI>80 - 28°
	black		22043330-00			
COB	white	0,80	22043310-68	600	22	4000K - 2834lm - CRI>80 - 28°
	black		22043330-68			

DIP SWITCH SETTING						
		LUMEN OUTPUT (tq= 25 °C)				
I out	W tot	K - ølm - CRI - degrees				
450	16	3000K - 2076lm - CRI>80 - 28°				
500	18	3000K - 2280lm - CRI>80 - 28°				
600	22	3000K - 2692lm - CRI>80 - 28°				

DIP SWITCH SETTING						
		LUMEN OUTPUT (tq= 25 °C)				
I out	W tot	K - ølm - CRI - degrees				
450	16	4000K - 2185lm - CRI>80 - 28°				
500	18	4000K - 2400lm - CRI>80 - 28°				
600	22	4000K - 2834lm - CRI>80 - 28°				

COB	white	0,80	22043312-00	600	22	3000K - 2644lm - CRI>80 - 33°
	black		22043332-00			
COB	white	0,80	22043312-68	600	22	4000K - 2784lm - CRI>80 - 33°
	black		22043332-68			

DIP SWITCH SETTING						
		LUMEN OUTPUT (tq= 25 °C)				
I out	W tot	K - ølm - CRI - degrees				
450	16	3000K - 2039lm - CRI>80 - 33°				
500	18	3000K - 2240lm - CRI>80 - 33°				
600	22	3000K - 2644lm - CRI>80 - 33°				

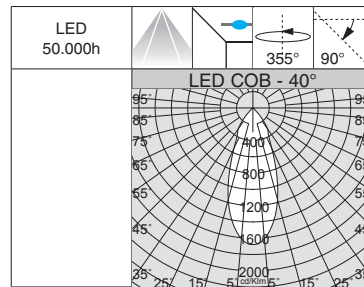
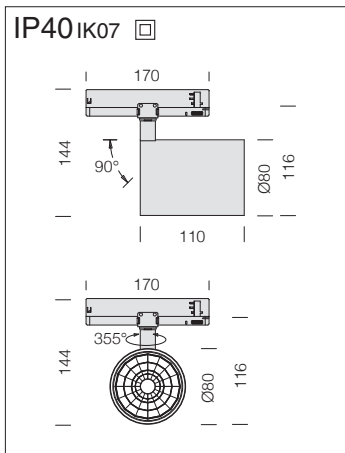
DIP SWITCH SETTING						
		LUMEN OUTPUT (tq= 25 °C)				
I out	W tot	K - ølm - CRI - degrees				
450	16	4000K - 2147lm - CRI>80 - 33°				
500	18	4000K - 2358lm - CRI>80 - 33°				
600	22	4000K - 2784lm - CRI>80 - 33°				

COB	white	0,80	22043314-00	600	22	3000K - 2661lm - CRI>80 - 51°
	black		22043334-00			
COB	white	0,80	22043314-68	600	22	4000K - 2801lm - CRI>80 - 51°
	black		22043334-68			

DIP SWITCH SETTING						
		LUMEN OUTPUT (tq= 25 °C)				
I out	W tot	K - ølm - CRI - degrees				
450	16	3000K - 2052lm - CRI>80 - 51°				
500	18	3000K - 2254lm - CRI>80 - 51°				
600	22	3000K - 2661lm - CRI>80 - 51°				

DIP SWITCH SETTING						
		LUMEN OUTPUT (tq= 25 °C)				
I out	W tot	K - ølm - CRI - degrees				
450	16	4000K - 2160lm - CRI>80 - 51°				
500	18	4000K - 2373lm - CRI>80 - 51°				
600	22	4000K - 2801lm - CRI>80 - 51°				

Upon request: DALI -1241 and -6841 dimmable version to be used with OMNITRACK PLUS track-mounted system.



**LED:** luminous flux maintenance 80%: 50.000h (L80B20). Power factor >0.95.

**Asso "B" big - DIP SWITCH**

		CLD				LUMEN OUTPUT (tq= 25 °C)	
LED	colour	weight	code	I out	W tot	K - ølm - CRI - degrees	
<b>COB</b>	white	0,90	220 <b>43410</b> -00	<b>700</b>	<b>26</b>	3000K - 3163lm - CRI>80 - 20°	
	black		220 <b>43430</b> -00			3000K - 3163lm - CRI>80 - 20°	
<b>COB</b>	white	0,90	220 <b>43410</b> -68	<b>700</b>	<b>26</b>	4000K - 3330lm - CRI>80 - 20°	
	black		220 <b>43430</b> -68			4000K - 3330lm - CRI>80 - 20°	

		LUMEN OUTPUT (tq= 25 °C)	
I out	W tot	K - ølm - CRI - degrees	
<b>650</b>	<b>24</b>	3000K - 3047lm	CRI>80 - 20°
<b>700</b>	<b>26</b>	3000K - 3163lm	CRI>80 - 20°
<b>750</b>	<b>28</b>	3000K - 3380lm	CRI>80 - 20°

		LUMEN OUTPUT (tq= 25 °C)	
I out	W tot	K - ølm - CRI - degrees	
<b>650</b>	<b>24</b>	4000K - 3207lm	CRI>80 - 20°
<b>700</b>	<b>26</b>	4000K - 3330lm	CRI>80 - 20°
<b>750</b>	<b>28</b>	4000K - 3558lm	CRI>80 - 20°

<b>COB</b>	white	0,90	220 <b>43412</b> -00	<b>700</b>	<b>26</b>	3000K - 3173lm - CRI>80 - 25°	
	black		220 <b>43432</b> -00			3000K - 3173lm - CRI>80 - 25°	
<b>COB</b>	white	0,90	220 <b>43412</b> -68	<b>700</b>	<b>26</b>	4000K - 3340lm - CRI>80 - 25°	
	black		220 <b>43432</b> -68			4000K - 3340lm - CRI>80 - 25°	

		LUMEN OUTPUT (tq= 25 °C)	
I out	W tot	K - ølm - CRI - degrees	
<b>650</b>	<b>24</b>	3000K - 3056lm	CRI>80 - 25°
<b>700</b>	<b>26</b>	3000K - 3173lm	CRI>80 - 25°
<b>750</b>	<b>28</b>	3000K - 3391lm	CRI>80 - 25°

		LUMEN OUTPUT (tq= 25 °C)	
I out	W tot	K - ølm - CRI - degrees	
<b>650</b>	<b>24</b>	4000K - 3217lm	CRI>80 - 25°
<b>700</b>	<b>26</b>	4000K - 3340lm	CRI>80 - 25°
<b>750</b>	<b>28</b>	4000K - 3570lm	CRI>80 - 25°

<b>COB</b>	white	0,90	220 <b>43414</b> -00	<b>700</b>	<b>26</b>	3000K - 3145lm - CRI>80 - 40°	
	black		220 <b>43434</b> -00			3000K - 3145lm - CRI>80 - 40°	
<b>COB</b>	white	0,90	220 <b>43414</b> -68	<b>700</b>	<b>26</b>	4000K - 3311lm - CRI>80 - 40°	
	black		220 <b>43434</b> -68			4000K - 3311lm - CRI>80 - 40°	

		LUMEN OUTPUT (tq= 25 °C)	
I out	W tot	K - ølm - CRI - degrees	
<b>650</b>	<b>24</b>	3000K - 3029lm	CRI>80 - 40°
<b>700</b>	<b>26</b>	3000K - 3145lm	CRI>80 - 40°
<b>750</b>	<b>28</b>	3000K - 3361lm	CRI>80 - 40°

		LUMEN OUTPUT (tq= 25 °C)	
I out	W tot	K - ølm - CRI - degrees	
<b>650</b>	<b>24</b>	4000K - 3189lm	CRI>80 - 40°
<b>700</b>	<b>26</b>	4000K - 3311lm	CRI>80 - 40°
<b>750</b>	<b>28</b>	4000K - 3538lm	CRI>80 - 40°

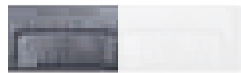
Upon request: DALI -1241 and -6841 dimmable version to be used with OMNITRACK PLUS track-mounted system.



**ASSO "B" ZOOM - MULTICOLOR** is the new spotlight from the ASSO family by Fosnova. In a single body you have a complete lighting fixture that can meet every need with the possibility to adjust the light beam, with 3 colour temperatures in as many power wattages, maintaining aesthetic continuity while differentiating the amount of light emitted. All these requirements make it an excellent fixture for the lighting of retail, architectural, and museum settings.

The main feature of this spotlight is the new colour-changing technology. With **two built-in switches** positioned on the adapter, you can:

- select 3 different colour temperatures, adjusting to most installations:

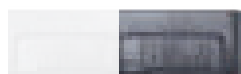


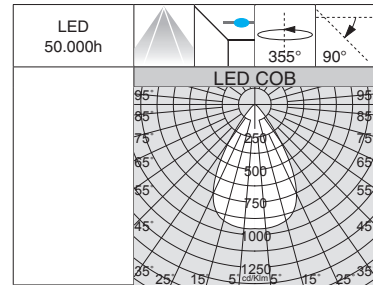
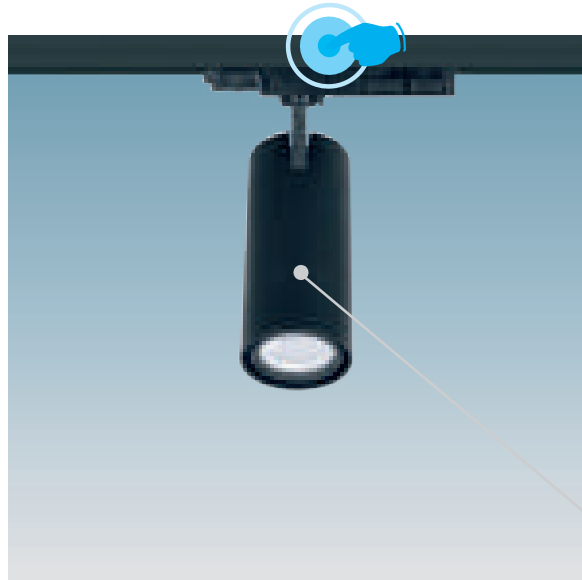
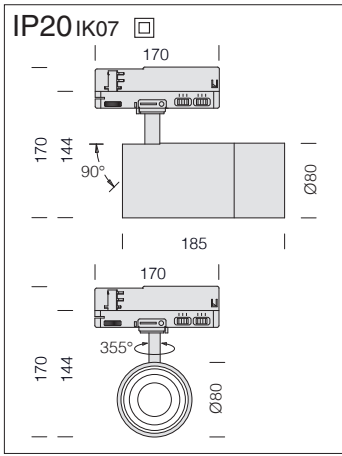
WW = 2700K  
(warm white)

NW = 4000K  
(neutral white)

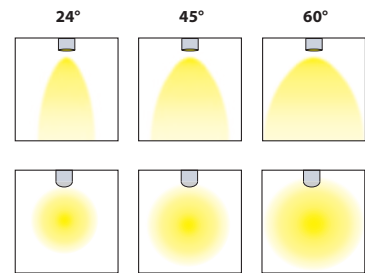
CW = 6000K  
(cold white)

- select the type of brightness with 3 output power ranges :  
Low = 20W    Medium = 25W    High = 30W





Beam angle adjustment system from 24° to 60°: you can select the desired beam angle to highlight whatever you want to illuminate.



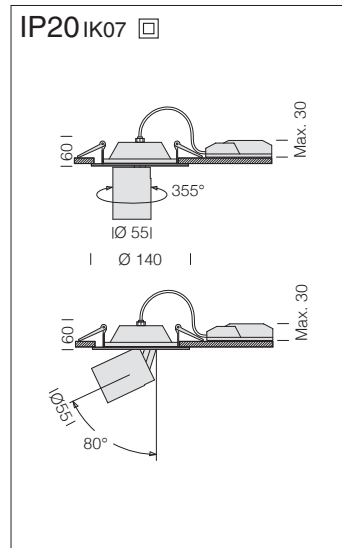
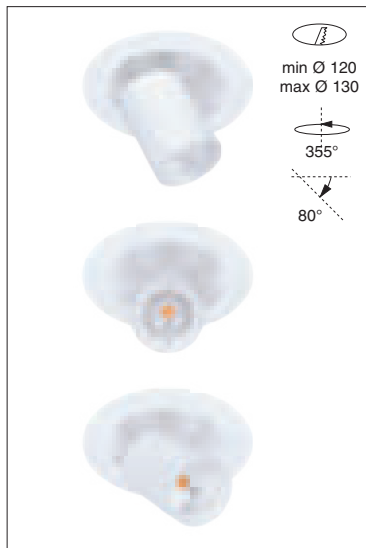
LED: luminous flux maintenance 80%: 50.000h (L80B20). Power factor >0.95.

**Asso "B" big - ZOOM MULTICOLOR**

LED	colour	weight	CLD code	LUMEN OUTPUT (tq= 25 °C)		
				I out	W tot	K - ølm - CRI
COB	white	0,80	22044010-00	500	20	CCT 2700K/4000K/6000K - 2088lm ÷ 2302lm - CRI>90
				600	25	CCT 2700K/4000K/6000K - 2545lm ÷ 2822lm - CRI>90
				750	30	CCT 2700K/4000K/6000K - 2961lm ÷ 3256lm - CRI>90
COB	black	0,80	22044030-00	500	20	CCT 2700K/4000K/6000K - 2088lm ÷ 2302lm - CRI>90
				600	25	CCT 2700K/4000K/6000K - 2545lm ÷ 2822lm - CRI>90
				750	30	CCT 2700K/4000K/6000K - 2961lm ÷ 3256lm - CRI>90

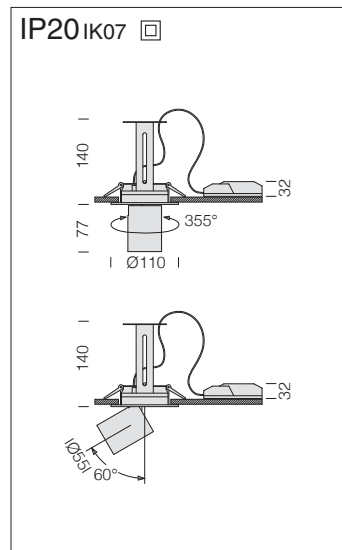
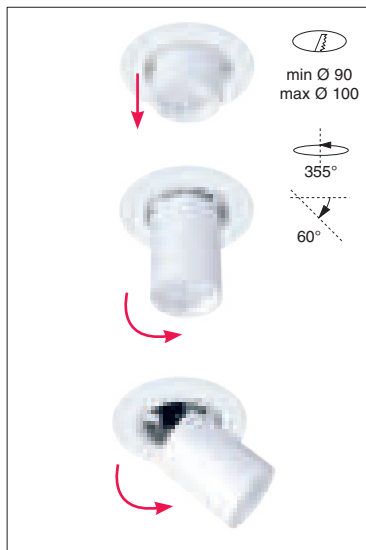
Another unique feature of this spotlight is the option to choose the beam angle with an adjustment ring on the fixture's body. In a very simple and intuitive way, you can obtain the desired light beam within a range from 24° to 60°, including intermediate positions, in a smooth and gradual manner, maintaining excellent visual comfort.





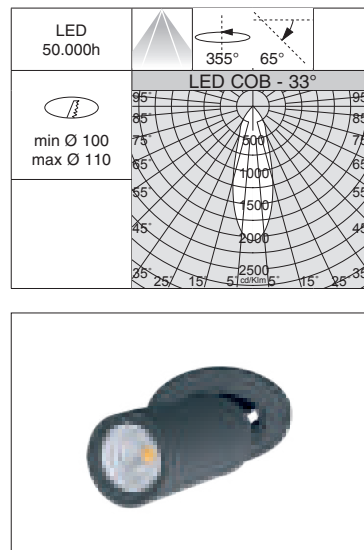
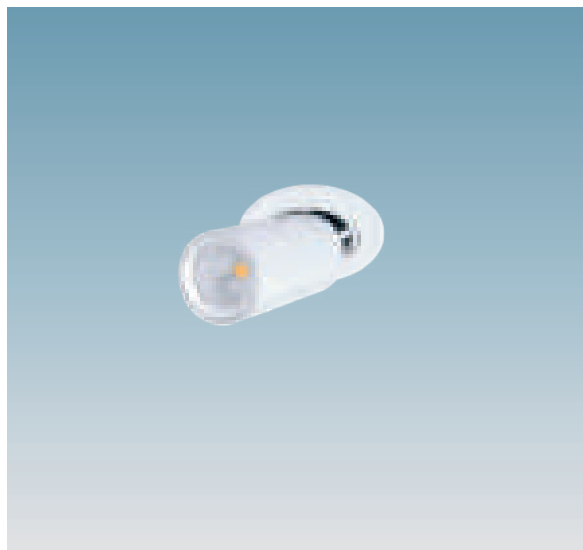
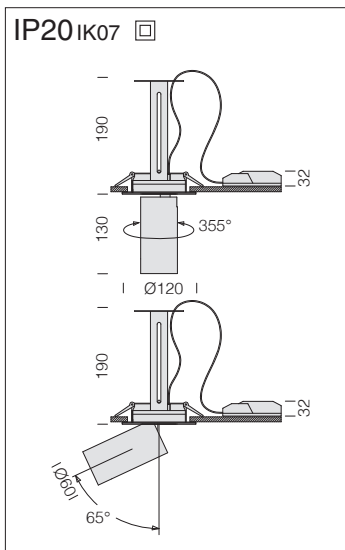
Asso "D" - small						
LED	colour	weight	CLD	CLD D-DIG (DALI)	W tot	LUMEN OUTPUT (tq= 25 °C)
			code	code		K - ølm - CRI - degrees
COB	white	0,50	22043810-00	22043810-1241	14	3000K - 1478lm - CRI>80 - 20°
	black		22043830-00	22043830-1241		
COB	white	0,50	22043810-68	22043810-6841	14	4000K - 1556lm - CRI>80 - 20°
	black		22043830-68	22043830-6841		
COB	white	0,50	22043811-00	22043811-1241	14	3000K - 1492lm - CRI>80 - 28°
	black		22043831-00	22043831-1241		
COB	white	0,50	22043811-68	22043811-6841	14	4000K - 1571lm - CRI>80 - 28°
	black		22043831-68	22043831-6841		
COB	white	0,50	22043812-00	22043812-1241	14	3000K - 1424lm - CRI>80 - 40°
	black		22043832-00	22043832-1241		
COB	white	0,50	22043812-68	22043812-6841	14	4000K - 1499lm - CRI>80 - 40°
	black		22043832-68	22043832-6841		

Upon request: 60° light beam.

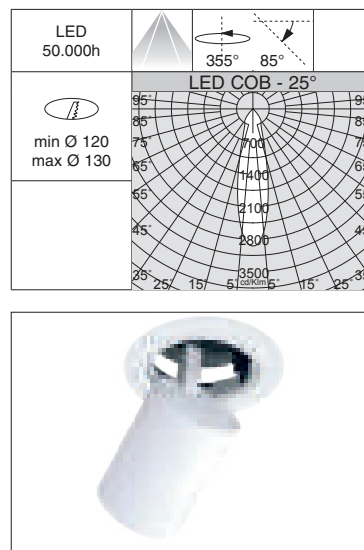
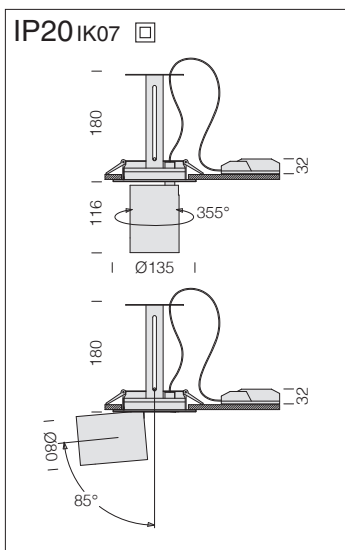


Asso "C" - small						
LED	colour	weight	CLD	CLD D-DIG (DALI)	W tot	LUMEN OUTPUT (tq= 25 °C)
			code	code		K - ølm - CRI - degrees
COB	white	0,65	22043510-00	22043510-1241	14	3000K - 1478lm - CRI>80 - 20°
	black		22043530-00	22043530-1241		
COB	white	0,65	22043510-68	22043510-6841	14	4000K - 1556lm - CRI>80 - 20°
	black		22043530-68	22043530-6841		
COB	white	0,65	22043512-00	22043512-1241	14	3000K - 1492lm - CRI>80 - 28°
	black		22043532-00	22043532-1241		
COB	white	0,65	22043512-68	22043512-6841	14	4000K - 1571lm - CRI>80 - 28°
	black		22043532-68	22043532-6841		
COB	white	0,65	22043514-00	22043514-1241	14	3000K - 1424lm - CRI>80 - 40°
	black		22043534-00	22043534-1241		
COB	white	0,65	22043514-68	22043514-6841	14	4000K - 1499lm - CRI>80 - 40°
	black		22043534-68	22043534-6841		
COB	white	0,65	22043516-00	22043516-1241	14	3000K - 1436lm - CRI>80 - 60°
	black		22043536-00	22043536-1241		
COB	white	0,65	22043516-68	22043516-6841	14	4000K - 1512lm - CRI>80 - 60°
	black		22043536-68	22043536-6841		

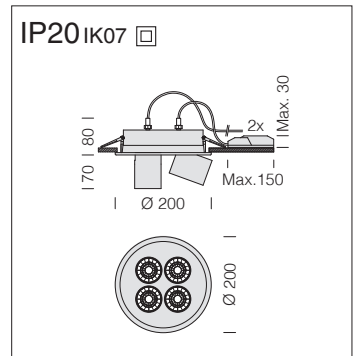
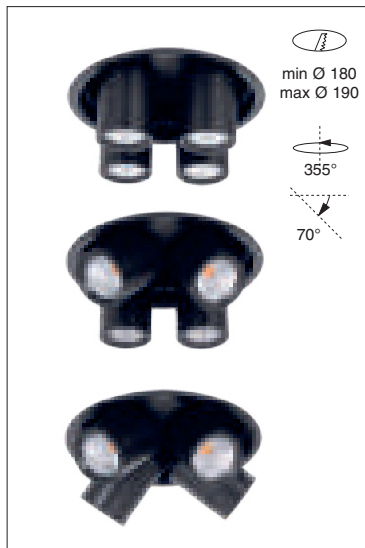




Asso "C" - medium						
LED	colour	weight	CLD code	CLD D-DIG (DALI) code	W tot	LUMEN OUTPUT (tq= 25 °C) K - ølm - CRI - degrees
COB	white	0,90	22043610-00	22043610-1241	22	3000K - 2692lm - CRI>80 - 28°
	black		22043630-00	22043630-1241		
COB	white	0,90	22043610-68	22043610-6841	22	4000K - 2834lm - CRI>80 - 28°
	black		22043630-68	22043630-6841		
COB	white	0,90	22043612-00	22043612-1241	22	3000K - 2644lm - CRI>80 - 33°
	black		22043632-00	22043632-1241		
COB	white	0,90	22043612-68	22043612-6841	22	4000K - 2784lm - CRI>80 - 33°
	black		22043632-68	22043632-6841		
COB	white	0,90	22043614-00	22043614-1241	22	3000K - 2661lm - CRI>80 - 51°
	black		22043634-00	22043634-1241		
COB	white	0,90	22043614-68	22043614-6841	22	4000K - 2801lm - CRI>80 - 51°
	black		22043634-68	22043634-6841		



Asso "C" - big						
LED	colour	weight	CLD code	CLD D-DIG (DALI) code	W tot	LUMEN OUTPUT (tq= 25 °C) K - ølm - CRI - degrees
COB	white	1,00	22043710-00	22043710-1241	26	3000K - 3163lm - CRI>80 - 20°
	black		22043730-00	22043730-1241		
COB	white	1,00	22043710-68	22043710-6841	26	4000K - 3330lm - CRI>80 - 20°
	black		22043730-68	22043730-6841		
COB	white	1,00	22043712-00	22043712-1241	26	3000K - 3173lm - CRI>80 - 25°
	black		22043732-00	22043732-1241		
COB	white	1,00	22043712-68	22043712-6841	26	4000K - 3340lm - CRI>80 - 25°
	black		22043732-68	22043732-6841		
COB	white	1,00	22043714-00	22043714-1241	26	3000K - 3145lm - CRI>80 - 40°
	black		22043734-00	22043734-1241		
COB	white	1,00	22043714-68	22043714-6841	26	4000K - 3311lm - CRI>80 - 40°
	black		22043734-68	22043734-6841		



**IP20 IK07** □

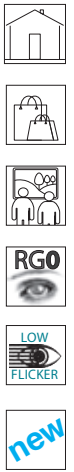
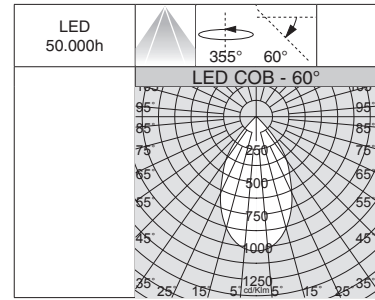
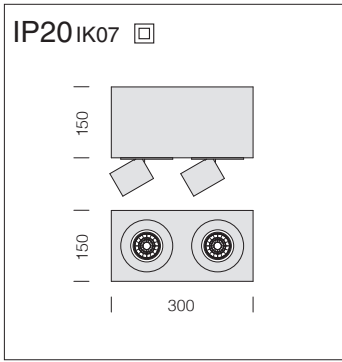
**Frame:** made of aluminium.

**Asso housing:** in die-cast aluminium.

**LED:** luminous flux maintenance 80%: 50.000h (L80B20). Power factor >0.9.

Asso "D" 4 - small					
		CLD		LUMEN OUTPUT (tq= 25 °C)	
LED	colour	weight	code	W tot	K - ølm - CRI - degrees
COB	white	1,70	220 <b>43910</b> -00	56	3000K - 4x1478lm - CRI>80 - 20°
	black		220 <b>43930</b> -00		
COB	white	1,70	220 <b>43910-68</b>	56	4000K - 4x1556lm - CRI>80 - 20°
	black		220 <b>43930-68</b>		
COB	white	1,70	220 <b>43911</b> -00	56	3000K - 4x1492lm - CRI>80 - 28°
	black		220 <b>43931</b> -00		
COB	white	1,70	220 <b>43911-68</b>	56	4000K - 4x1571lm - CRI>80 - 28°
	black		220 <b>43931-68</b>		
COB	white	1,70	220 <b>43912</b> -00	56	3000K - 4x1424lm - CRI>80 - 40°
	black		220 <b>43932</b> -00		
COB	white	1,70	220 <b>43912-68</b>	56	4000K - 4x1499lm - CRI>80 - 40°
	black		220 <b>43932-68</b>		

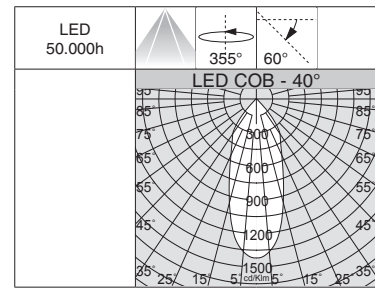
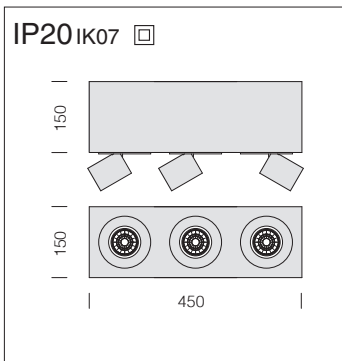
Upon request: DALI -1241 and -6841 dimmable version; 60° light beam version.



**Frame:** made of aluminium.  
**Asso housing:** in die-cast aluminium.  
**LED:** luminous flux maintenance 80%: 50.000h (L80B20).  
 Power factor >0.9.

Asso "C" 2 - small - ceiling					
		CLD		LUMEN OUTPUT (tq= 25 °C)	
LED	colour	weight	code	W tot	K - ølm - CRI - degrees
COB	white	2,00	22189310-00	28	3000K - 2x1478lm - CRI>80 - 20°
			22189310-68		4000K - 2x1556lm - CRI>80 - 20°
COB	white	2,00	22189311-00	28	3000K - 2x1492lm - CRI>80 - 28°
			22189311-68		4000K - 2x1571lm - CRI>80 - 28°
COB	white	2,00	22189312-00	28	3000K - 2x1424lm - CRI>80 - 40°
			22189312-68		4000K - 2x1499lm - CRI>80 - 40°
COB	white	2,00	22189313-00	28	3000K - 2x1436lm - CRI>80 - 60°
			22189313-68		4000K - 2x1512lm - CRI>80 - 60°

**Upon request:** emergency unit.



**Frame:** made of aluminium.  
**Asso housing:** in die-cast aluminium.  
**LED:** luminous flux maintenance 80%: 50.000h (L80B20).  
 Power factor >0.9.

Asso "C" 3 - small - ceiling					
		CLD		LUMEN OUTPUT (tq= 25 °C)	
LED	colour	weight	code	W tot	K - ølm - CRI - degrees
COB	white	3,00	22189410-00	42	3000K - 3x1478lm - CRI>80 - 20°
			22189410-68		4000K - 3x1556lm - CRI>80 - 20°
COB	white	3,00	22189411-00	42	3000K - 3x1492lm - CRI>80 - 28°
			22189411-68		4000K - 3x1571lm - CRI>80 - 28°
COB	white	3,00	22189412-00	42	3000K - 3x1424lm - CRI>80 - 40°
			22189412-68		4000K - 3x1499lm - CRI>80 - 40°
COB	white	3,00	22189413-00	42	3000K - 3x1436lm - CRI>80 - 60°
			22189413-68		4000K - 3x1512lm - CRI>80 - 60°

**Upon request:** emergency unit.



Vision is a family of floodlights covering the widest range of sources and lighting design needs for perfect optical control of the light beams. A series of fixtures designed to satisfy the most widely differing architectural lighting and display needs, with performance in mind and using the most innovative light sources to ensure excellent visual comfort.

**Housing:** Die-cast aluminium with cooling vents.

**Reflector:** in matt aluminium, high efficiency and anti-glare.

**Coating:** Power-coated with a UV-resistant polyester epoxy paint.

**Regulations:** Manufactured in accordance with EN 60598-1-CEI 34.21 standards. Degrees of protection in accordance with EN60529 standards.

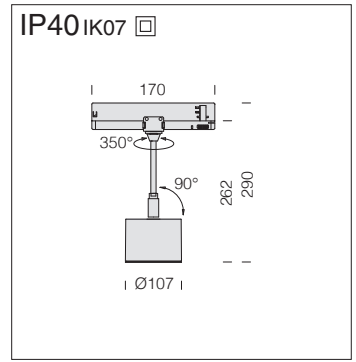
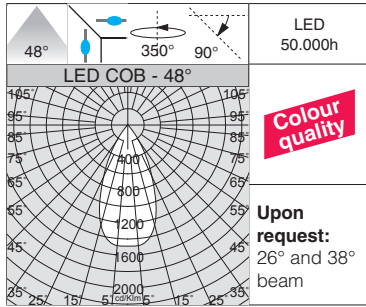
**LED:** high-efficiency light sources (**CRI>90**). Luminous flux maintenance 80%: 50.000h (L80B20). Power factor >0.95. Photobiological safety class: exempt group.

**Upon request:** version with CASAMBI automation lighting control system. For further information see chapter *Technical components*.



The right lighting and fixture play a vital role in facilitating sales. This is the reason why LED fixtures with a **CRI>90** are being requested. Therefore, the current trend is geared towards the manufacturing of more flexible fixtures, which also emit an excellent quality of light, while guaranteeing remarkable energy savings and lower maintenance costs.

The Colour Rendering Index (**CRI**) indicates how truthfully the artificial light source is able to reproduce the colours of objects. It varies from a range of **0 to 100**, where **0 represents the minimum** and **100 is the maximum**. Daylight is the best source of light from a physiological point of view because it contains the full colour spectrum. Therefore, a lamp with a high colour rendering index is very important to ensure the wellbeing and comfort of the occupants of a room and it is absolutely necessary in rooms where good visibility is required.



**LED:** luminous flux maintenance 80%: 50.000h (L80B20). Power factor >0.95.

new

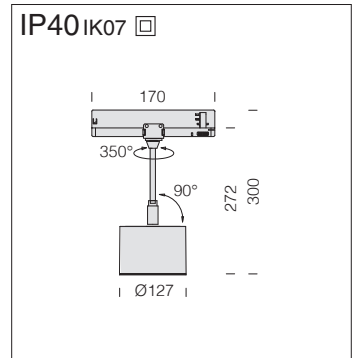
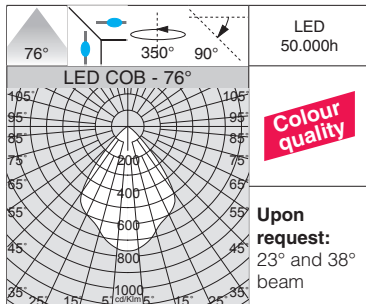
Vision 2.0 small - DIP SWITCH - on track with TIGES						
LED	colour	weight	CLD		LUMEN OUTPUT (tq= 25 °C)	
			code	I out	W tot	K - ølm - CRI - degrees
COB	white	0,65	22703610-00	750	28	3000K - 3073lm - CRI>90 - 48°
	black		22703630-00			
	m. silver		22703670-00			
COB	white	0,65	22703610-68	750	28	4000K - 3235lm - CRI>90 - 48°
	black		22703630-68			
	m. silver		22703670-68			

Upon request: DALI -1241 and -6841 dimmable version to be used with OMNITRACK PLUS track-mounted system.

DIP SWITCH SETTING		
I out	W tot	LUMEN OUTPUT (tq= 25 °C)
K - ølm - CRI - degrees		
600	22	3000K - 2528lm - CRI>90 - 48°
700	26	3000K - 2898lm - CRI>90 - 48°
750	28	3000K - 3073lm - CRI>90 - 48°

DIP SWITCH SETTING		
I out	W tot	LUMEN OUTPUT (tq= 25 °C)
K - ølm - CRI - degrees		
600	22	4000K - 2661lm - CRI>90 - 48°
700	26	4000K - 3050lm - CRI>90 - 48°
750	28	4000K - 3235lm - CRI>90 - 48°



**LED:** luminous flux maintenance 80%: 50.000h (L80B20). Power factor >0.95.

new

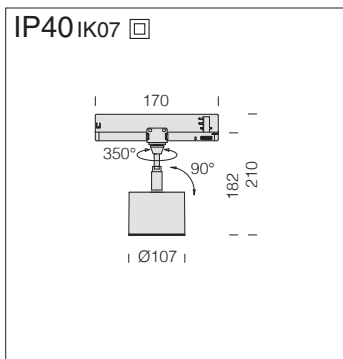
Vision 2.0 big - DIP SWITCH - on track with TIGES						
LED	colour	weight	CLD		LUMEN OUTPUT (tq= 25 °C)	
			code	I out	W tot	K - ølm - CRI - degrees
COB	white	1,00	22703710-00	1050	39	3000K - 3869lm - CRI>90 - 76°
	black		22703730-00			
	m. silver		22703770-00			
COB	white	1,00	22703710-68	1050	39	4000K - 4073lm - CRI>90 - 76°
	black		22703730-68			
	m. silver		22703770-68			

Upon request: DALI -1241 and -6841 dimmable version to be used with OMNITRACK PLUS track-mounted system.

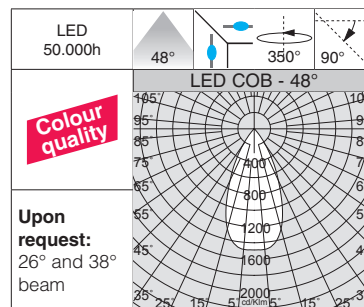
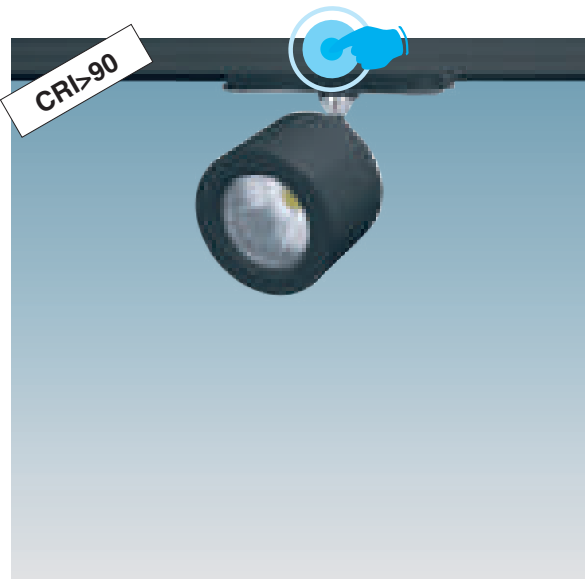
DIP SWITCH SETTING		
I out	W tot	LUMEN OUTPUT (tq= 25 °C)
K - ølm - CRI - degrees		
900	33	3000K - 3411lm - CRI>90 - 76°
1000	37	3000K - 3726lm - CRI>90 - 76°
1050	39	3000K - 3869lm - CRI>90 - 76°

DIP SWITCH SETTING		
I out	W tot	LUMEN OUTPUT (tq= 25 °C)
K - ølm - CRI - degrees		
900	33	4000K - 3591lm - CRI>90 - 76°
1000	37	4000K - 3922lm - CRI>90 - 76°
1050	39	4000K - 4073lm - CRI>90 - 76°



**LED:** luminous flux maintenance 80%: 50.000h (L80B20). Power factor >0.95.



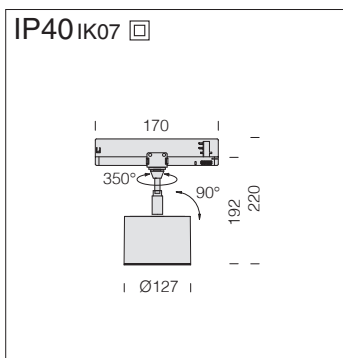
Vision 2.0 small - DIP SWITCH - on track with TIGES - short version						
LED	colour	weight	CLD code	I out	W tot	LUMEN OUTPUT (tq= 25 °C) K - ølm - CRI - degrees
COB	white	0,65	22703810-00	750	28	3000K - 3073lm - CRI>90 - 48°
	black		22703830-00			
	m. silver		22703870-00			
COB	white	0,65	22703810-68	750	28	4000K - 3235lm - CRI>90 - 48°
	black		22703830-68			
	m. silver		22703870-68			

**Upon request:** DALI -1241 and -6841 dimmable version to be used with OMNITRACK PLUS track-mounted system.

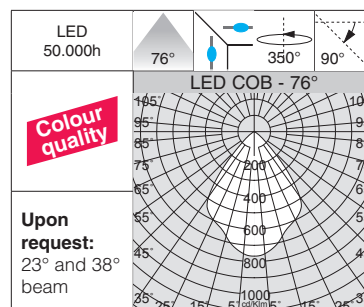
DIP SWITCH SETTING		
I out	W tot	LUMEN OUTPUT (tq= 25 °C) K - ølm - CRI - degrees
600	22	3000K - 2528lm - CRI>90 - 48°
700	26	3000K - 2898lm - CRI>90 - 48°
750	28	3000K - 3073lm - CRI>90 - 48°

DIP SWITCH SETTING		
I out	W tot	LUMEN OUTPUT (tq= 25 °C) K - ølm - CRI - degrees
600	22	4000K - 2661lm - CRI>90 - 48°
700	26	4000K - 3050lm - CRI>90 - 48°
750	28	4000K - 3235lm - CRI>90 - 48°



**LED:** luminous flux maintenance 80%: 50.000h (L80B20). Power factor >0.95.



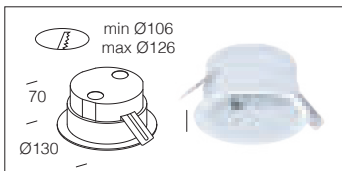
Vision 2.0 big - DIP SWITCH - on track with TIGES - short version						
LED	colour	weight	CLD code	I out	W tot	LUMEN OUTPUT (tq= 25 °C) K - ølm - CRI - degrees
COB	white	1,00	22703910-00	1050	39	3000K - 3869lm - CRI>90 - 76°
	black		22703930-00			
	m. silver		22703970-00			
COB	white	1,00	22703910-68	1050	39	4000K - 4073lm - CRI>90 - 76°
	black		22703930-68			
	m. silver		22703970-68			

**Upon request:** DALI -1241 and -6841 dimmable version to be used with OMNITRACK PLUS track-mounted system.

DIP SWITCH SETTING		
I out	W tot	LUMEN OUTPUT (tq= 25 °C) K - ølm - CRI - degrees
900	33	3000K - 3411lm - CRI>90 - 76°
1000	37	3000K - 3726lm - CRI>90 - 76°
1050	39	3000K - 3869lm - CRI>90 - 76°

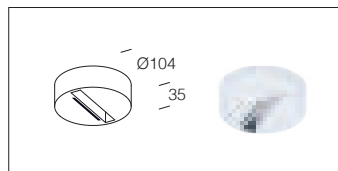
  

DIP SWITCH SETTING		
I out	W tot	LUMEN OUTPUT (tq= 25 °C) K - ølm - CRI - degrees
900	33	4000K - 3591lm - CRI>90 - 76°
1000	37	4000K - 3922lm - CRI>90 - 76°
1050	39	4000K - 4073lm - CRI>90 - 76°



Acc. recessed	
white	22091610-00
black	22091630-00
grey	22091670-00

To be used with acc. base for universal adapter and DIMM 1/10V-DALI adapter.



Acc. base for universal adapter and DIMM 1/10V-DALI adapter	
white	22092610-00
black	22092630-00
grey	22092670-00

**DIMM**  
**DIG**

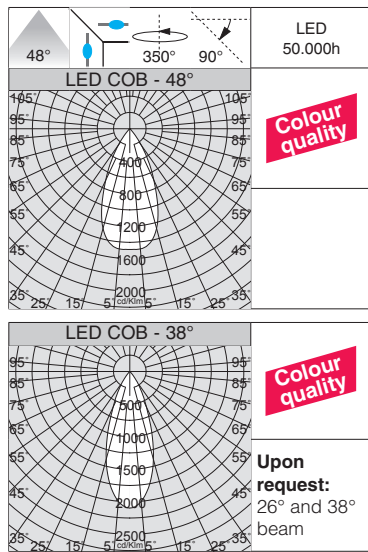


**RG0**

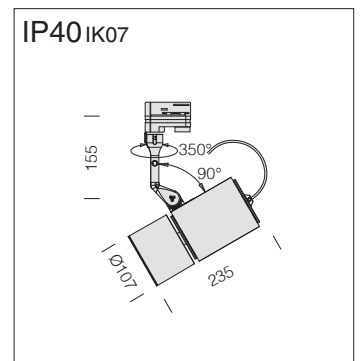
**LOW FLICKER**



**new**



**CRI 92**

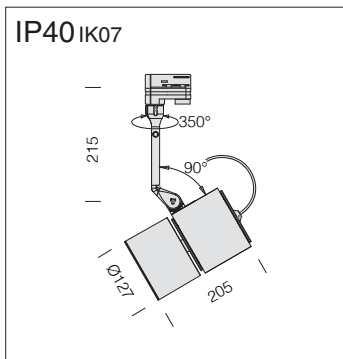


**LED:** luminous flux maintenance 80%: 50.000h (L80B20).  
Power factor >0.95.

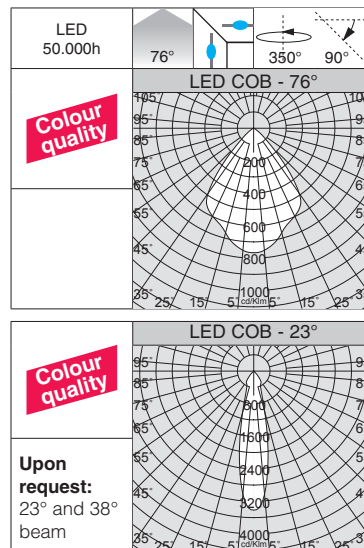
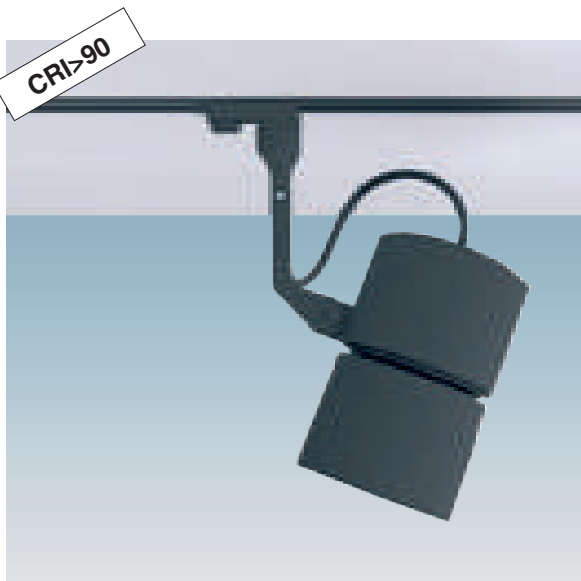
Vision 2.0 small - universal adapter - SHORT version						
		CLD		CLD D-DIG (DALI)		LUMEN OUTPUT (tq= 25 °C)
LED	colour	weight	code	code	W tot	K - ølm - CRI - degrees
COB	white	1,65	22703510-00		34	3000K - 3631lm - CRI 92 - 48°
	black		22703530-00			
	m. silver		22703570-00			
COB	white	1,65	22703510-68		34	4000K - 3822lm - CRI 92 - 48°
	black		22703530-68			
	m. silver		22703570-68			
COB	white	1,65		22702810-1241	34	3000K - 3631lm - CRI 92 - 48°
	black			22702830-1241		
	m. silver			22702870-1241		
COB	white	1,65		22702810-6841	34	4000K - 3822lm - CRI 92 - 48°
	black			22702830-6841		
	m. silver			22702870-6841		

Dimmable version -1241 and -6841 to be used with OMNITRACK PLUS track-mounted system.





**LED:** luminous flux maintenance 80%: 50.000h (L80B20). Power factor >0.95.

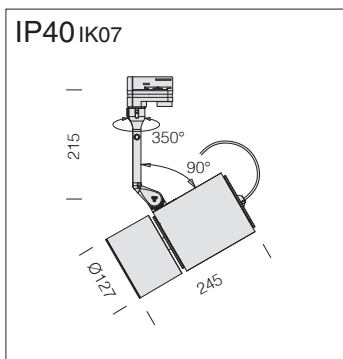
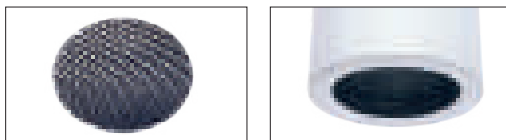


Vision 2.0 big C - universal adapter - LONG version						
LED	colour	weight	CLD code	CLD D-DIG (DALI) code	W tot	LUMEN OUTPUT (tq= 25 °C) K - ølm - CRI - degrees
COB	white	1,80	22703013-00	22703013-1241	39	3000K - 3761lm - CRI>90 - 76°
	black		22703033-00	22703033-1241		
	m. silver		22703073-00	22703073-1241		
COB	white	1,80	22703013-68	22703013-6841	39	4000K - 4073lm - CRI>90 - 76°
	black		22703033-68	22703033-6841		
	m. silver		22703073-68	22703073-6841		

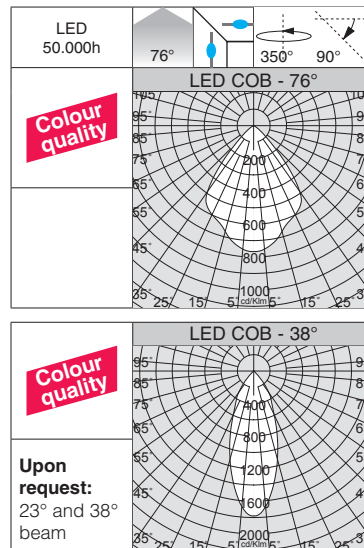
Dimmable version -1241 and -6841 to be used with OMNITRACK PLUS track-mounted system.

Honeycomb screen	
x small	22005130-00
x big	22005131-00

To reduce glare



**LED:** luminous flux maintenance 80%: 50.000h (L80B20). Power factor >0.95.

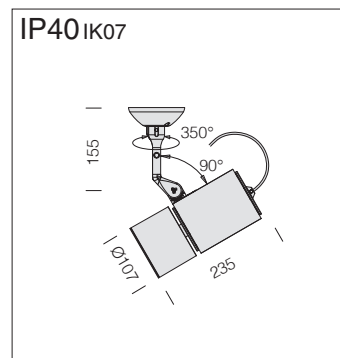
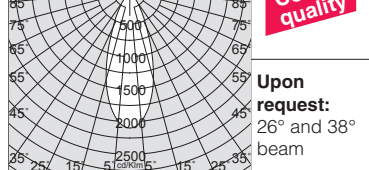
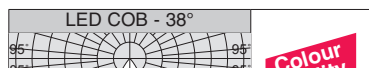
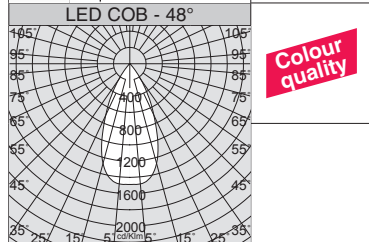
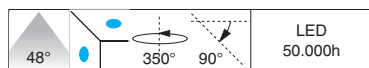


Vision 2.0 big L - universal adapter - LONG version						
LED	colour	weight	CLD code	CLD D-DIG (DALI) code	W tot	LUMEN OUTPUT (tq= 25 °C) K - ølm - CRI - degrees
COB	white	2,15	22702913-00	22702913-1241	45	3000K - 4655lm - CRI>90 - 76°
	black		22702933-00	22702933-1241		
	m. silver		22702973-00	22702973-1241		
COB	white	2,15	22702913-68	22702913-6841	45	4000K - 4891lm - CRI>90 - 76°
	black		22702933-68	22702933-6841		
	m. silver		22702973-68	22702973-6841		
COB	white	2,15	22703413-00	22703413-1241	53	3000K - 5217lm - CRI>90 - 76°
	black		22703433-00	22703433-1241		
	m. silver		22703473-00	22703473-1241		
COB	white	2,15	22703413-68	22703413-6841	53	4000K - 5592lm - CRI>90 - 76°
	black		22703433-68	22703433-6841		
	m. silver		22703473-68	22703473-6841		

Dimmable version -1241 and -6841 to be used with OMNITRACK PLUS track-mounted system.

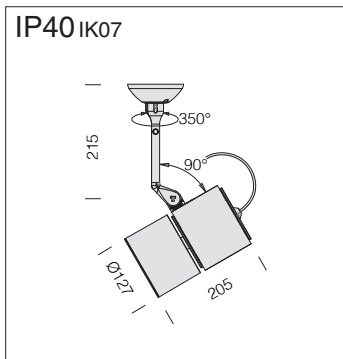


Honeycomb screen	
x small	22005130-00
x big	22005131-00
To reduce glare	

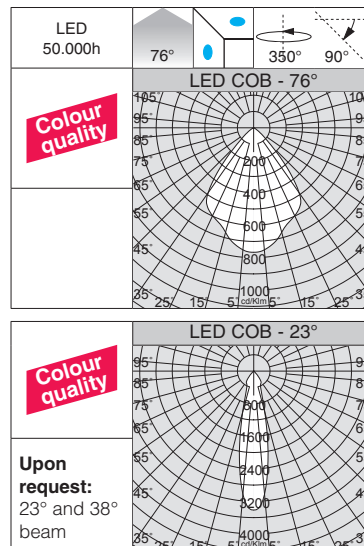


**IP40 IK07**  
**LED:** luminous flux maintenance 80%: 50.000h (L80B20).  
 Power factor >0.95.

Vision 2.0 small - base SHORT version						
LED	colour	weight	CLD	CLD D-DIG (DALI)	W tot	LUMEN OUTPUT (tq= 25 °C)
			code	code		K - ølm - CRI - degrees
COB	white	1,65	22803510-00		34	3000K - 3631lm - CRI 92 - 48°
	black		22803530-00			
	m. silver		22803570-00			
COB	white	1,65	22803510-68		34	4000K - 3822lm - CRI 92 - 48°
	black		22803530-68			
	m. silver		22803570-68			
COB	white	1,65		22802810-1241	34	3000K - 3631lm - CRI 92 - 48°
	black			22802830-1241		
	m. silver			22802870-1241		
COB	white	1,65		22802810-6841	34	4000K - 3822lm - CRI 92 - 48°
	black			22802830-6841		
	m. silver			22802870-6841		

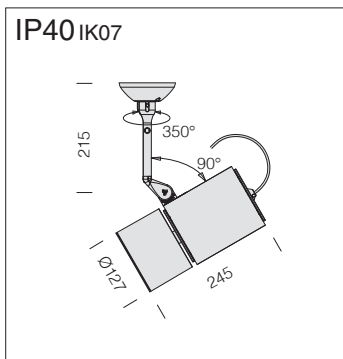
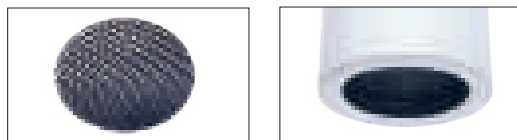


**LED:** luminous flux maintenance 80%: 50.000h (L80B20). Power factor >0.95.

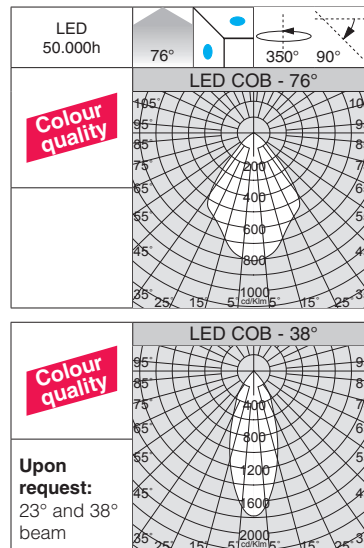


Vision 2.0 big C - base LONG version						
LED	colour	weight	CLD code	CLD D-DIG (DALI) code	W tot	LUMEN OUTPUT (tq= 25 °C) K - ølm - CRI - degrees
COB	white	1,80	22803013-00	22803013-1241	39	3000K - 3761lm - CRI>90 - 76°
	black		22803033-00	22803033-1241		
	m. silver		22803073-00	22803073-1241		
COB	white	1,80	22803013-68	22803013-6841	39	4000K - 4073lm - CRI>90 - 76°
	black		22803033-68	22803033-6841		
	m. silver		22803073-68	22803073-6841		

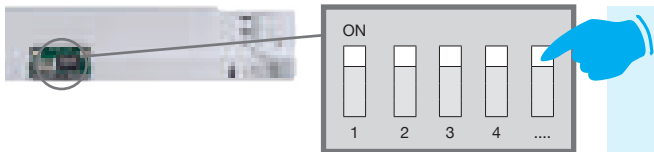
Honeycomb screen	
x small	22005130-00
x big	22005131-00
To reduce glare	



**LED:** luminous flux maintenance 80%: 50.000h (L80B20). Power factor >0.95.



Vision 2.0 big L - base LONG version						
LED	colour	weight	CLD code	CLD D-DIG (DALI) code	W tot	LUMEN OUTPUT (tq= 25 °C) K - ølm - CRI - degrees
COB	white	2,15	22802913-00	22802913-1241	45	3000K - 4655lm - CRI>90 - 76°
	black		22802933-00	22802933-1241		
	m. silver		22802973-00	22802973-1241		
COB	white	2,15	22802913-68	22802913-6841	45	4000K - 4891lm - CRI>90 - 76°
	black		22802933-68	22802933-6841		
	m. silver		22802973-68	22802973-6841		
COB	white	2,15	22803413-00	22803413-1241	53	3000K - 5217lm - CRI>90 - 76°
	black		22803433-00	22803433-1241		
	m. silver		22803473-00	22803473-1241		
COB	white	2,15	22803413-68	22803413-6841	53	4000K - 5592lm - CRI>90 - 76°
	black		22803433-68	22803433-6841		
	m. silver		22803473-68	22803473-6841		



## ADAPT THE CURRENT TO ACHIEVE OPTIMAL LUMINOUS FLUX

**DIP SWITCH SETTING:** the fixture comes with a *DIP SWITCH* driver for **THE SETTING OF THE OUTPUT CURRENT**. In this way you, can **ENSURE THE BEST LUMINOUS FLUX** for any lighting design.

The possibility to choose the correct drive current for LEDs will allow you to have the right power under specific design conditions. Using a lower current will improve the efficiency of fixtures and therefore increase energy savings, whilst a higher current will result in a higher light flux so that you can reduce the number of fixtures.



**Housing:** in die-cast aluminium.

**Reflector:** in die-cast polished aluminium, high efficiency and anti-glare.

**Coating:** UV-resistant polyester epoxy powder coating.

**Equipment:** adjustable around its vertical axis from 0° to 355°

**Standard:** manufactured pursuant to EN 60598-1-CEI 34.21 and with a degree of protection pursuant to EN 60529.

High-efficiency light **LED CRI>90** sources. The LED series was designed with a new technology that ensures uniform colour saturation. This is why these lamps are particularly suited in settings where reflections, transparencies, good colour and white quality are very important. Luminous flux maintenance 80%: 50.000h (L80B20). Power factor >0.9. Photobiological safety class: exempt group.

52° 355° 180°

LED COB - 52°

LED 50.000h

**Colour quality**

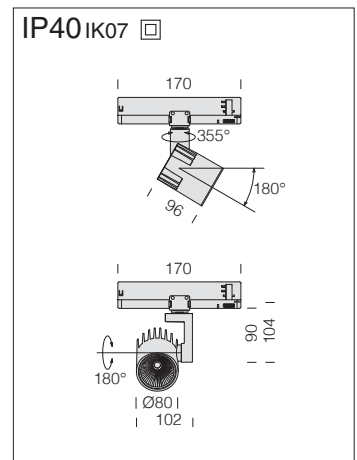
**Upon request:**  
26° and 60° beam angle

**RG0**

**LOW FLICKER**

**CASAMB**

Upon request: version complete with light beam conveyor to ensure top quality general and accent lighting and great colour stability (CRI>90).



**LED:** luminous flux maintenance 80%: 50.000h (L80B20). Power factor >0.95.

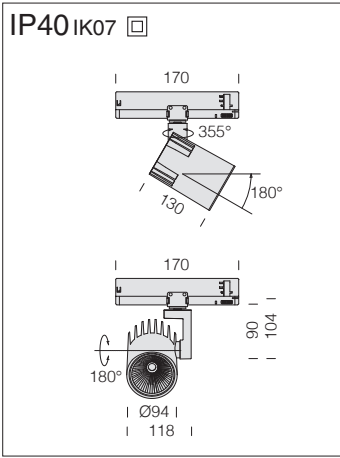
Krypton 1B - DIP SWITCH						
LED	colour	weight	CLD		LUMEN OUTPUT (tq= 25 °C)	
			code	I out	W tot	K - ølm - CRI - degrees
COB	white	1,10	22104310-00	700	27	3000K - 2860lm - CRI>90 - 52°
	black		22104330-00			
COB	white	1,10	22104311-00	700	27	4000K - 3011lm - CRI>90 - 52°
	black		22104331-00			

Upon request: DALI -1241 dimmable version to be used with OMNITRACK PLUS track-mounted system.

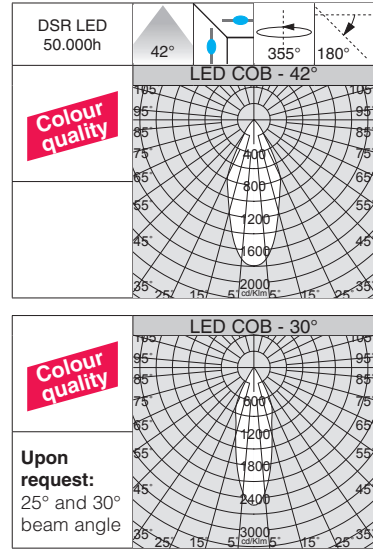
DIP SWITCH SETTING						
I out	W tot	LUMEN OUTPUT (tq= 25 °C)				
		K	ølm	CRI	degrees	
650	25	3000K	2695lm	CRI>90	52°	
700	27	3000K	2860lm	CRI>90	52°	
800	30	3000K	3190lm	CRI>90	52°	

DIP SWITCH SETTING						
I out	W tot	LUMEN OUTPUT (tq= 25 °C)				
		K	ølm	CRI	degrees	
650	25	4000K	2837lm	CRI>90	52°	
700	27	4000K	3011lm	CRI>90	52°	
800	30	4000K	3358lm	CRI>90	52°	



**LED:** luminous flux maintenance 80%: 50.000h (L80B20). Power factor >0.95.



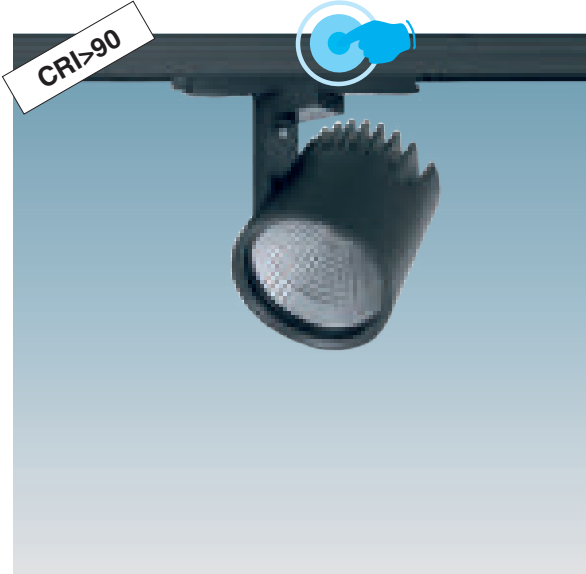
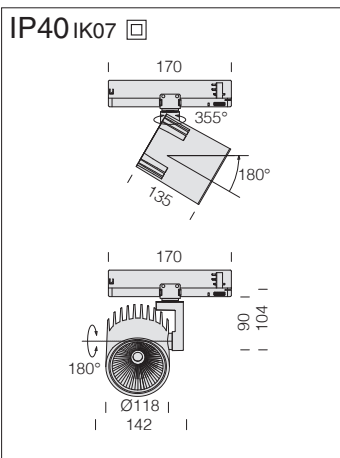
Krypton 2B - DIP SWITCH						
LED	colour	weight	CLD code	I out	W tot	LUMEN OUTPUT (tq= 25 °C) K - ølm - CRI - degrees
COB	white	1,10	22104410-00	800	30	3000K - 3355lm - CRI>90 - 42°
	black		22104430-00			
COB	white	1,10	22104411-00	800	30	4000K - 3532lm - CRI>90 - 42°
	black		22104431-00			

Upon request: DALI -1241 dimmable version to be used with OMNITRACK PLUS track-mounted system.

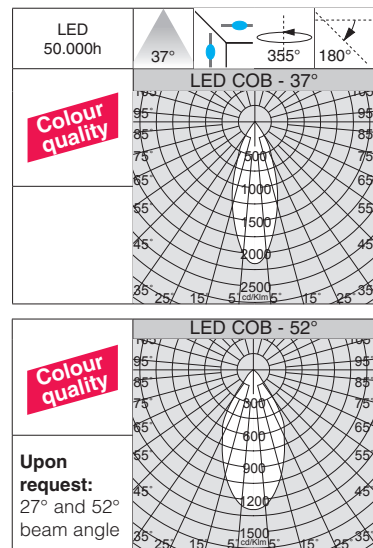
DIP SWITCH SETTING						
LUMEN OUTPUT (tq= 25 °C)		K - ølm - CRI - degrees				
I out	W tot					
800	30	3000K - 3355lm - CRI>90 - 42°				
900	34	3000K - 3697lm - CRI>90 - 42°				
950	36	3000K - 3869lm - CRI>90 - 42°				

DIP SWITCH SETTING						
LUMEN OUTPUT (tq= 25 °C)		K - ølm - CRI - degrees				
I out	W tot					
800	30	4000K - 3532lm - CRI>90 - 42°				
900	34	4000K - 3892lm - CRI>90 - 42°				
950	36	4000K - 4072lm - CRI>90 - 42°				



**LED:** luminous flux maintenance 80%: 50.000h (L80B20). Power factor >0.95.



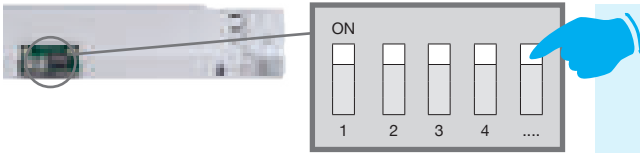
Krypton 3B - DIP SWITCH						
LED	colour	weight	CLD code	I out	W tot	LUMEN OUTPUT (tq= 25 °C) K - ølm - CRI - degrees
COB	white	1,80	22104510-00	1050	40	3000K - 4418lm - CRI>90 - 37°
	black		22104530-00			
COB	white	1,80	22104511-00	1050	40	4000K - 4650lm - CRI>90 - 37°
	black		22104531-00			

Upon request: DALI -1241 dimmable version to be used with OMNITRACK PLUS track-mounted system.

DIP SWITCH SETTING						
LUMEN OUTPUT (tq= 25 °C)		K - ølm - CRI - degrees				
I out	W tot					
900	34	3000K - 3860lm - CRI>90 - 37°				
1000	38	3000K - 4239lm - CRI>90 - 37°				
1050	40	3000K - 4418lm - CRI>90 - 37°				

DIP SWITCH SETTING						
LUMEN OUTPUT (tq= 25 °C)		K - ølm - CRI - degrees				
I out	W tot					
900	34	4000K - 4063lm - CRI>90 - 37°				
1000	38	4000K - 4463lm - CRI>90 - 37°				
1050	40	4000K - 4650lm - CRI>90 - 37°				



## ADAPT THE CURRENT TO ACHIEVE OPTIMAL LUMINOUS FLUX

**DIP SWITCH SETTING:** the fixture comes with a *DIP SWITCH* driver for **THE SETTING OF THE OUTPUT CURRENT**. In this way you, can **ENSURE THE BEST LUMINOUS FLUX** for any lighting design.

The possibility to choose the correct drive current for LEDs will allow you to have the right power under specific design conditions. Using a lower current will improve the efficiency of fixtures and therefore increase energy savings, whilst a higher current will result in a higher light flux so that you can reduce the number of fixtures.



**Housing:** in die-cast aluminium.

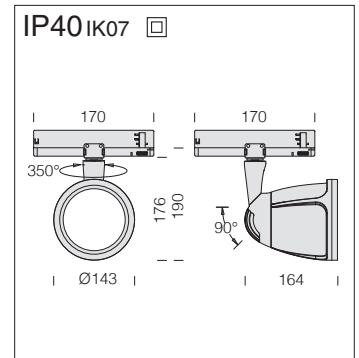
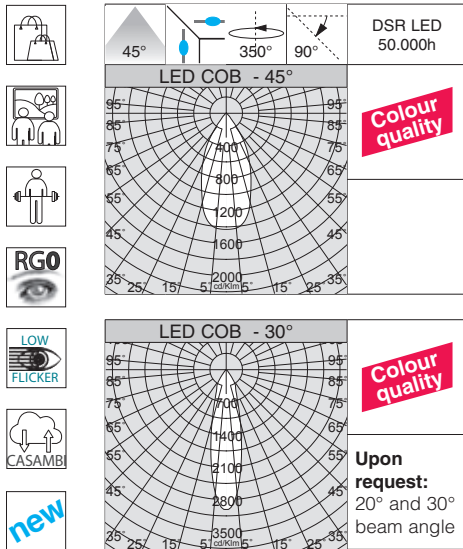
**Reflector:** in die-cast polished aluminium, high efficiency and anti-glare.

**Standard supply:** Supplied with universal adapter in track mounted versions.

**Coating:** Power-coated with a UV-resistant polyester epoxy paint.

**Regulations:** Manufactured in accordance with EN 60598-1-CEI 34.21 standards. Degrees of protection in accordance with EN60529 standards.

**LED:** high-efficiency light sources (**CRI>90**). Luminous flux maintenance 80%: 50.000h (L80B20). Power factor >0.9. Photobiological safety class: exempt group



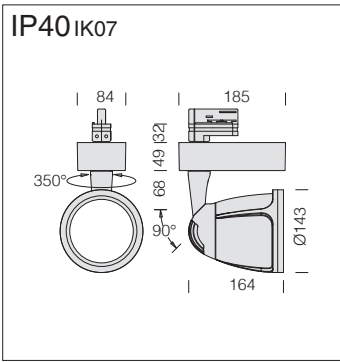
**LED:** luminous flux maintenance 80%: 50.000h (L80B20). Power factor >0.9.

Rio "B" - DIP SWITCH - universal adapter						
LED	colour	weight	CLD		LUMEN OUTPUT (tq= 25 °C)	
			code	I out	W tot	K - ølm - CRI - degrees
COB	white	1,50	22106110-00	1050	39	3000K - 4223lm - CRI>90 - 45°
	black		22106130-00			
	m. silver		22106170-00			
COB	white	1,50	22106111-00	1050	39	4000K - 4445lm - CRI>90 - 45°
	black		22106131-00			
	m. silver		22106171-00			

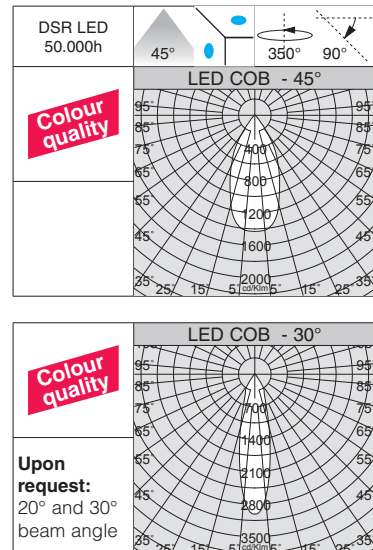
Upon request: DALI -1241 dimmable version to be used with OMNITRACK PLUS track-mounted system.

DIP SWITCH SETTING			
LUMEN OUTPUT (tq= 25 °C)			
I out	W tot	K - ølm - CRI - degrees	
900	33	3000K - 3702lm	CRI>90 - 45°
1000	37	3000K - 4066lm	CRI>90 - 45°
1050	39	3000K - 4223lm	CRI>90 - 45°

DIP SWITCH SETTING			
LUMEN OUTPUT (tq= 25 °C)			
I out	W tot	K - ølm - CRI - degrees	
900	33	4000K - 3896lm	CRI>90 - 45°
1000	37	4000K - 4280lm	CRI>90 - 45°
1050	39	4000K - 4445lm	CRI>90 - 45°

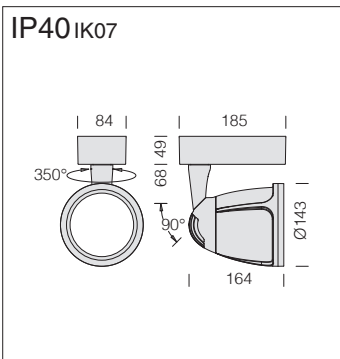


**LED:** luminous flux maintenance 80%: 50.000h (L80B20). Power factor >0.9.

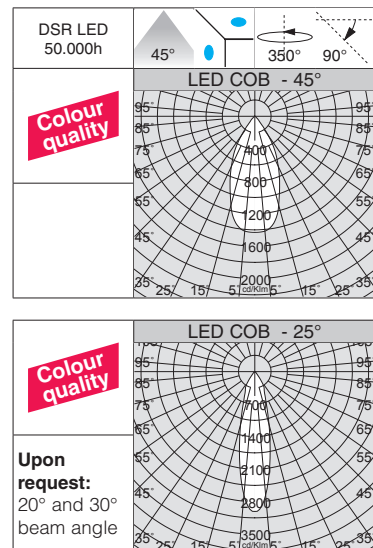


Rio "A" - universal adapter					
LED	colour	weight	CLD	W tot	LUMEN OUTPUT (tq= 25 °C)
COB	white	1,80	22106013-00	54	3000K - 5275lm - CRI>90 - 45°
	black		22106033-00		
	m. silver		22106073-00		
COB	white	1,80	22106014-00	54	4000K - 5553lm - CRI>90 - 45°
	black		22106034-00		
	m. silver		22106074-00		

Upon request: 1/10V, DALI 1241 dimmable version.



**LED:** luminous flux maintenance 80%: 50.000h (L80B20). Power factor >0.9.



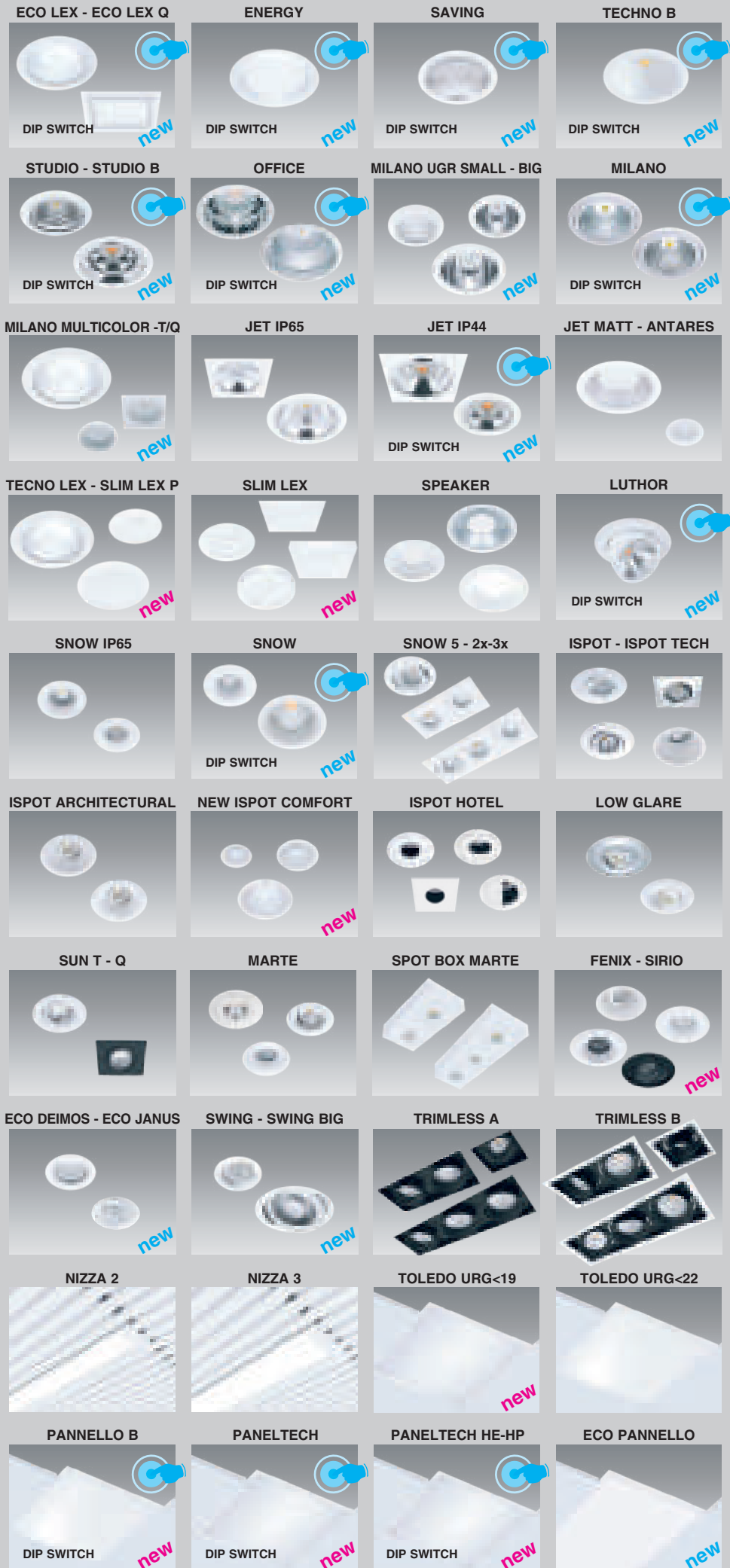
Rio - base					
LED	colour	weight	CLD-D (1-10V)	W tot	LUMEN OUTPUT (tq= 25 °C)
COB	white	1,70	22206010-00	39	3000K - 4223lm - CRI>90 - 45°
	black		22206030-00		
	m. silver		22206070-00		
COB	white	1,70	22206011-00	39	4000K - 4445lm - CRI>90 - 45°
	black		22206031-00		
	m. silver		22206071-00		
COB	white	1,70	22206013-00	54	3000K - 5275lm - CRI>90 - 45°
	black		22206033-00		
	m. silver		22206073-00		
COB	white	1,70	22206014-00	54	4000K - 5553lm - CRI>90 - 45°
	black		22206034-00		
	m. silver		22206074-00		

Upon request: DALI 1241 dimmable version.



MANGO





Eco Lex DIP SWITCH	p. 64
Eco Lex Q DIP SWITCH	p. 70
Energy DIP SWITCH	p. 72
Saving DIP SWITCH	p. 76
Techno B DIP SWITCH	p. 80

Studio DIP SWITCH	p. 88
Studio B DIP SWITCH	p. 90
Office DIP SWITCH	p. 92
Milano UGR small - big	p. 102
Milano DIP SWITCH	p. 104

Milano Multicolor	p. 106
Milano Small T-Q	p. 107
Jet - IP65	p. 110
Jet - IP44 DIP SWITCH	p. 112
Jet - MATT	p. 116
Antares IP	p. 119

Tecno Lex	p. 119
Slim Lex P	p. 120
Slim Lex	p. 122
Speaker	p. 126
Luthor DIP SWITCH	p. 128

Snow IP65	p. 134
Snow DIP SWITCH	p. 136
Snow 5	p. 138
Snow 2x-3x	p. 139
iSpot	p. 140
iSpot Tech	p. 142

iSpot Architectural	p. 143
New iSpot Comfort	p. 144
iSpot Hotel	p. 146
Low Glare 1/2	p. 148

Sun T-Q	p. 150
Marte	p. 156
Spot Box Marte	p. 161
Fenix	p. 162
Sirio	p. 164

Eco Deimos	p. 165
Eco Janus	p. 166
Swing - Swing Big	p. 167
Trimless A	p. 168
Trimless B	p. 174

Nizza	p. 180
Toledo HE UGR<19	p. 184
Toledo UGR<19	p. 185
Toledo UGR<22	p. 186

Pannello B	p. 190
Pannello B DIP SWITCH	p. 192
PanelTech	p. 194
PanelTech DIP SWITCH	p. 196
PanelTech HE	p. 198
PanelTech HE DIP SWITCH	p. 199
PanelTech HP	p. 200
Eco Pannello luminoso	p. 201



**Eco Lex:** wide range of recessed luminaires designed to meet the increasingly demanding lighting needs of shopping centres, stores and museums. Moreover, its extraordinary versatility, given a number of different dimensions, allows for simple application and makes them suitable to meet any need. In particular, a pre-existing system can be replaced without changing the entire structure. Maintenance and installation are extremely easy.

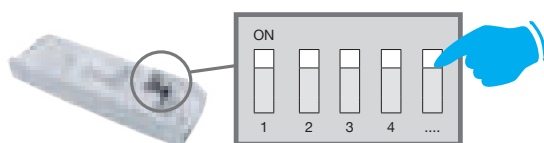
**Housing:** in die cast aluminium.

**Diffuser:** the shield consists of a polycarbonate laser-cut slab that serves as a lens for its effect of concentric circles. These decorations create a pattern with variable distances; the closer they get to the centre, the closer they come together, thereby achieving excellent visual comfort without glare.

**LED:** luminous flux maintenance 80%: 50.000h (L80B20).  
Power factor >0.9.

**Upon request:** available DIMM-DALI version.

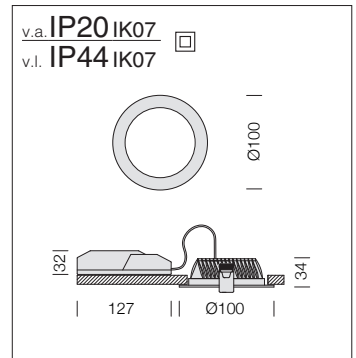
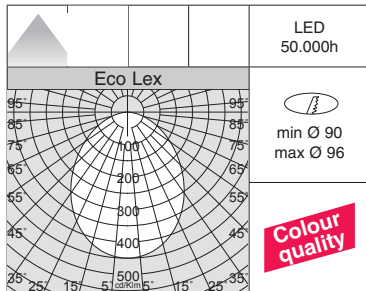
**Upon request:** version with CASAMBI automation lighting control system (fixtures **to be installed in NON-METALLIC false ceilings/panels**).  
For further information see chapter *Technical components*.



## ADAPT THE CURRENT TO ACHIEVE OPTIMAL LUMINOUS FLUX

**DIP SWITCH SETTING:** the fixture comes with a *DIP SWITCH* driver for **THE SETTING OF THE OUTPUT CURRENT**. In this way you, can **ENSURE THE BEST LUMINOUS FLUX** for any lighting design.

The possibility to choose the correct drive current for LEDs will allow you to have the right power under specific design conditions. Using a lower current will improve the efficiency of fixtures and therefore increase energy savings, whilst a higher current will result in a higher light flux so that you can reduce the number of fixtures.



**LED:** luminous flux maintenance 80%: 50.000h (L80B20).  
Power factor >0.9.

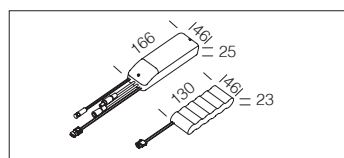
new

Eco Lex - DIP SWITCH						
LED	colour	weight	CLD	I out	W tot	LUMEN OUTPUT (tq= 25 °C)
LED	white	0,30	22173710-00	250	8	4000K - 980lm - CRI>90
			22173710-39			3000K - 930lm - CRI>90

Upon request: DIMM DALI (-1241 and -3941) version.

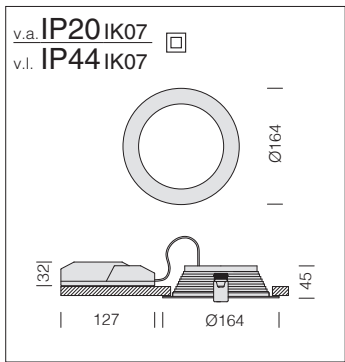
DIP SWITCH SETTING		
LUMEN OUTPUT (tq= 25 °C)		
I out	W tot	K - ølm - CRI
200	7	4000K - 850lm - CRI>90
250	8	4000K - 980lm - CRI>90
300	10	4000K - 1220lm - CRI>90
350	11	4000K - 1320lm - CRI>90

DIP SWITCH SETTING		
LUMEN OUTPUT (tq= 25 °C)		
I out	W tot	K - ølm - CRI
200	7	3000K - 800lm - CRI>90
250	8	3000K - 930lm - CRI>90
300	10	3000K - 1150lm - CRI>90
350	11	3000K - 1250lm - CRI>90

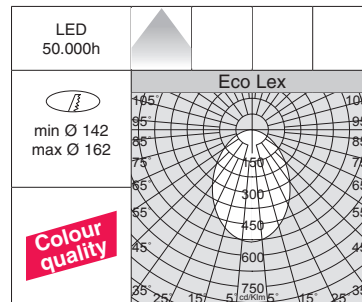


EM power kit	
1h	22096015-00
3h	22096033-00

EM (emergency) lamp power kit complete with connectors.



**LED:** luminous flux maintenance 80%: 50.000h (L80B20).  
Power factor >0.9.



Eco Lex 1 - DIP SWITCH						
LED	colour	weight	CLD code	I out	W tot	LUMEN OUTPUT (tq= 25 °C) K - ølm - CRI
LED	white	0,35	22173711-00	350	11	4000K - 1320lm - CRI>90
			22173711-39			3000K - 1250lm - CRI>90

Upon request: DIMM DALI (-1241 and -3941) version.

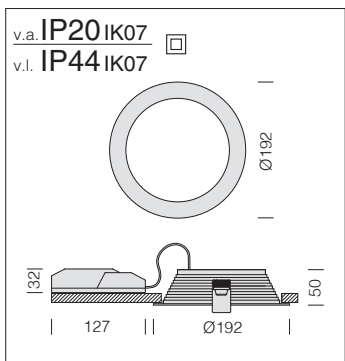
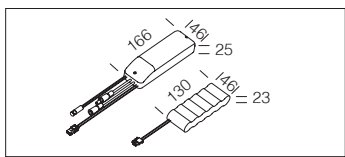
DIP SWITCH SETTING			LUMEN OUTPUT (tq= 25 °C)	
I out	W tot		K - ølm - CRI	
200	7		4000K - 850lm - CRI>90	
250	8		4000K - 980lm - CRI>90	
300	10		4000K - 1220lm - CRI>90	
350	11		4000K - 1320lm - CRI>90	

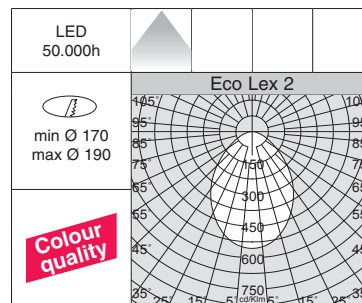
DIP SWITCH SETTING			LUMEN OUTPUT (tq= 25 °C)	
I out	W tot		K - ølm - CRI	
200	7		3000K - 800lm - CRI>90	
250	8		3000K - 930lm - CRI>90	
300	10		3000K - 1150lm - CRI>90	
350	11		3000K - 1250lm - CRI>90	

EM power kit	
1h	22096015-00
3h	22096033-00

EM (emergency) lamp power kit complete with connectors.



**LED:** luminous flux maintenance 80%: 50.000h (L80B20).  
Power factor >0.9.



Eco Lex 2 - DIP SWITCH						
LED	colour	weight	CLD code	I out	W tot	LUMEN OUTPUT (tq= 25 °C) K - ølm - CRI
LED	white	0,50	22173712-00	350	14	4000K - 1680lm - CRI>90
			22173712-39			3000K - 1590lm - CRI>90

Upon request: DIMM DALI (-1241 and -3941) version.

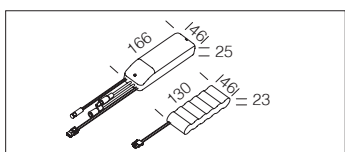
DIP SWITCH SETTING			LUMEN OUTPUT (tq= 25 °C)	
I out	W tot		K - ølm - CRI	
200	8		4000K - 1000lm - CRI>90	
250	10		4000K - 1250lm - CRI>90	
300	12		4000K - 1450lm - CRI>90	
350	14		4000K - 1680lm - CRI>90	

DIP SWITCH SETTING			LUMEN OUTPUT (tq= 25 °C)	
I out	W tot		K - ølm - CRI	
200	8		3000K - 940lm - CRI>90	
250	10		3000K - 1180lm - CRI>90	
300	12		3000K - 1370lm - CRI>90	
350	14		3000K - 1590lm - CRI>90	

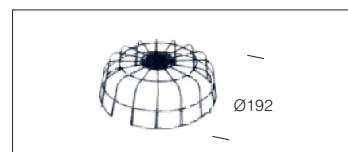
EM power kit	
1h	22096015-00
3h	22096033-00

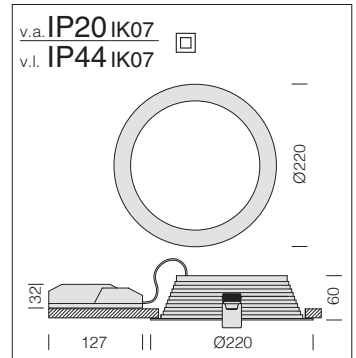
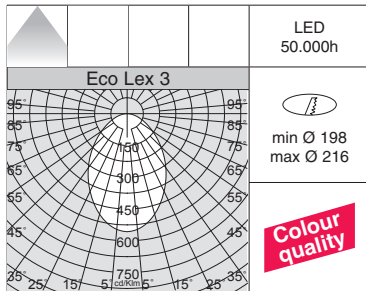
EM (emergency) lamp power kit complete with connectors.



Protection guard for Eco Lex 2	
black	22095031-00

For insulation in the ceiling.





**LED:** luminous flux maintenance 80%: 50.000h (L80B20).  
Power factor >0.9.

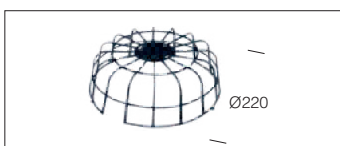
**new**

Eco Lex 3 - DIP SWITCH						
LED	colour	weight	CLD code	I out	W tot	LUMEN OUTPUT (tq= 25 °C) K - ølm - CRI
LED	white	0,75	22173713-00	550	20	4000K - 2450lm - <b>CRI&gt;90</b>
			22173713-39			3000K - 2320lm - <b>CRI&gt;90</b>

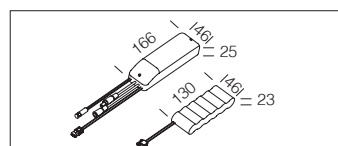
Upon request: DIMM DALI (-1241 and -3941) version.

DIP SWITCH SETTING		
LUMEN OUTPUT (tq= 25 °C)		
I out	W tot	K - ølm - CRI
450	16	4000K - 1950lm - <b>CRI&gt;90</b>
500	18	4000K - 2200lm - <b>CRI&gt;90</b>
550	20	4000K - 2450lm - <b>CRI&gt;90</b>
600	22	4000K - 2680lm - <b>CRI&gt;90</b>

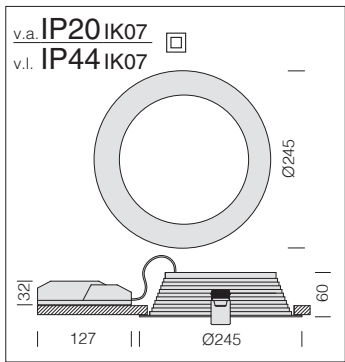
DIP SWITCH SETTING		
LUMEN OUTPUT (tq= 25 °C)		
I out	W tot	K - ølm - CRI
450	16	3000K - 1850lm - <b>CRI&gt;90</b>
500	18	3000K - 2090lm - <b>CRI&gt;90</b>
550	20	3000K - 2320lm - <b>CRI&gt;90</b>
600	22	3000K - 2540lm - <b>CRI&gt;90</b>



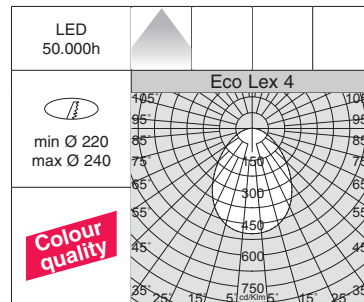
Protection guard for Eco Lex 3	
black	22095032-00
For insulation in the ceiling.	



EM power kit	
1h	22096015-00
3h	22096033-00
EM (emergency) lamp power kit complete with connectors.	



**LED:** luminous flux maintenance 80%: 50.000h (L80B20). Power factor >0.9.



Eco Lex 4 - DIP SWITCH						
LED	colour	weight	CLD code	I out	W tot	LUMEN OUTPUT (tq= 25 °C) K - ølm - CRI
LED	white	1,00	22173714-00	800	31	4000K - 3750lm - <b>CRI&gt;90</b>
			22173714-39			3000K - 3560lm - <b>CRI&gt;90</b>

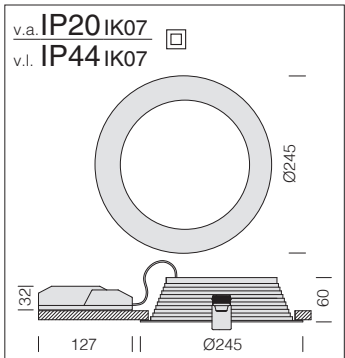
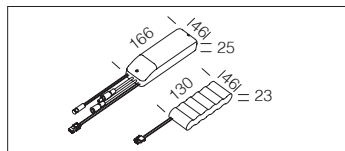
Upon request: DIMM DALI (-1241 and -3941) version.

DIP SWITCH SETTING			LUMEN OUTPUT (tq= 25 °C)	
I out	W tot		K - ølm - CRI	
700	27		4000K - 3250lm - <b>CRI&gt;90</b>	
750	29		4000K - 3490lm - <b>CRI&gt;90</b>	
800	31		4000K - 3750lm - <b>CRI&gt;90</b>	
850	33		4000K - 3980lm - <b>CRI&gt;90</b>	

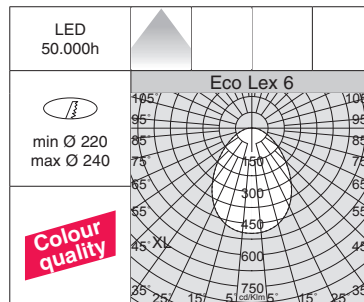
DIP SWITCH SETTING			LUMEN OUTPUT (tq= 25 °C)	
I out	W tot		K - ølm - CRI	
700	27		3000K - 3080lm - <b>CRI&gt;90</b>	
750	29		3000K - 3310lm - <b>CRI&gt;90</b>	
800	31		3000K - 3560lm - <b>CRI&gt;90</b>	
850	33		3000K - 3780lm - <b>CRI&gt;90</b>	

EM power kit	
1h	22096015-00
3h	22096033-00

EM (emergency) lamp power kit complete with connectors.



**LED:** luminous flux maintenance 80%: 50.000h (L80B20). Power factor >0.9.



Eco Lex 6 - DIP SWITCH						
LED	colour	weight	CLD code	I out	W tot	LUMEN OUTPUT (tq= 25 °C) K - ølm - CRI
LED	white	1,00	22173716-00	550	20	4000K - 2450lm - <b>CRI&gt;90</b>
			22173716-39			3000K - 2320lm - <b>CRI&gt;90</b>

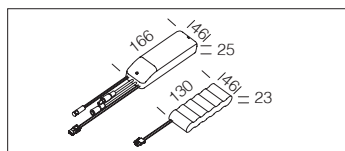
Upon request: DIMM DALI (-1241 and -3941) version.

DIP SWITCH SETTING			LUMEN OUTPUT (tq= 25 °C)	
I out	W tot		K - ølm - CRI	
450	16		4000K - 1950lm - <b>CRI&gt;90</b>	
500	18		4000K - 2200lm - <b>CRI&gt;90</b>	
550	20		4000K - 2450lm - <b>CRI&gt;90</b>	
600	22		4000K - 2680lm - <b>CRI&gt;90</b>	

DIP SWITCH SETTING			LUMEN OUTPUT (tq= 25 °C)	
I out	W tot		K - ølm - CRI	
450	16		3000K - 1850lm - <b>CRI&gt;90</b>	
500	18		3000K - 2090lm - <b>CRI&gt;90</b>	
550	20		3000K - 2320lm - <b>CRI&gt;90</b>	
600	22		3000K - 2540lm - <b>CRI&gt;90</b>	

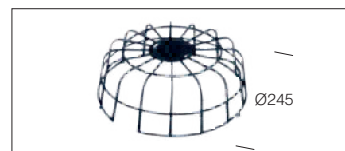
EM power kit	
1h	22096015-00
3h	22096033-00

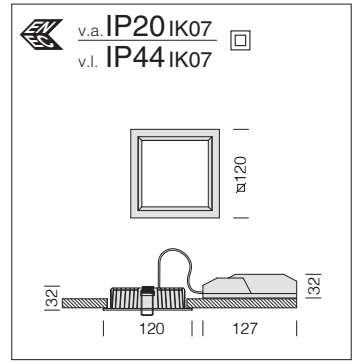
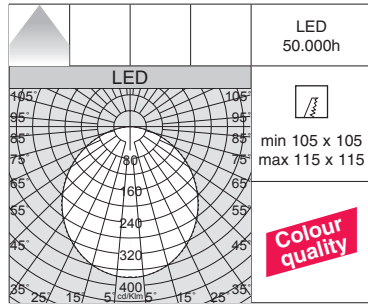
EM (emergency) lamp power kit complete with connectors.



Protection guard for Eco Lex 4 - Eco Lex 6	
black	22095033-00

For insulation in the ceiling.





**Housing:** in die cast aluminium.  
**Diffuser:** polycarbonate panel.  
**LED:** luminous flux maintenance 80%: 50.000h (L80B20).  
Power factor >0.9.

**Eco Lex Q1 - DIP SWITCH**

LED		CLD		I out	W tot	LUMEN OUTPUT (tq= 25 °C)
colour	weight	code				K - ølm - CRI
LED	white	0,40	22175610-00	350	11	4000K - 1015lm - CRI>90
			22175611-00			3000K - 960lm - CRI>90

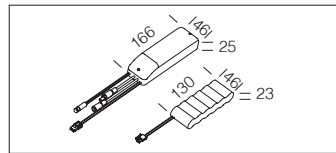
Upon request: available DIMM-DALI (-1241) version.

**DIP SWITCH SETTING**

LUMEN OUTPUT (tq= 25 °C)	
I out	W tot
250	8
300	9
350	11

**DIP SWITCH SETTING**

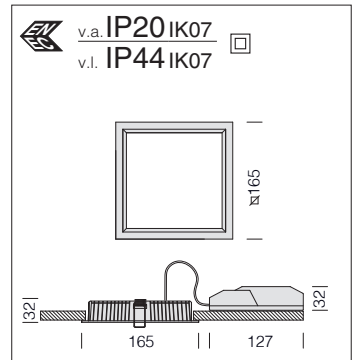
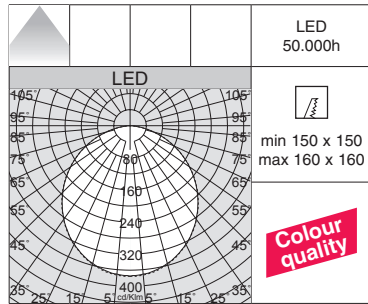
LUMEN OUTPUT (tq= 25 °C)	
I out	W tot
250	8
300	9
350	11



**EM power kit**

1h	22096015-00
3h	22096033-00

EM (emergency) lamp power kit complete with connectors.



**Housing:** in die cast aluminium.  
**Diffuser:** polycarbonate panel.  
**LED:** luminous flux maintenance 80%: 50.000h (L80B20).  
Power factor >0.9.

**Eco Lex Q2 - DIP SWITCH**

LED		CLD		I out	W tot	LUMEN OUTPUT (tq= 25 °C)
colour	weight	code				K - ølm - CRI
LED	white	0,40	22175710-00	450	17	4000K - 1712lm - CRI>90
			22175711-00			3000K - 1626lm - CRI>90

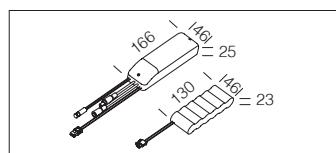
Upon request: available DIMM-DALI (-1241) version.

**DIP SWITCH SETTING**

LUMEN OUTPUT (tq= 25 °C)	
I out	W tot
400	15
450	17
500	19

**DIP SWITCH SETTING**

LUMEN OUTPUT (tq= 25 °C)	
I out	W tot
400	15
450	17
500	19

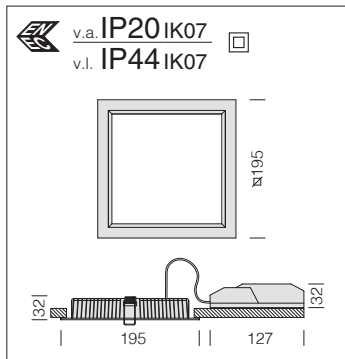


**EM power kit**

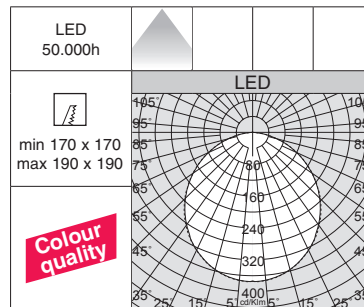
1h	22096015-00
3h	22096033-00

EM (emergency) lamp power kit complete with connectors.





**Housing:** in die cast aluminium.  
**Diffuser:** polycarbonate panel.  
**LED:** luminous flux maintenance 80%: 50.000h (L80B20).  
 Power factor >0.9.



RECESSED DOWNLIGHTS

Eco Lex Q3 - DIP SWITCH					
		CLD		LUMEN OUTPUT (tq= 25 °C)	
LED	colour	weight	code	I out	W tot
LED	white	0,70	22175810-00	600	23
			22175811-00		
				K - ølm - CRI	
				4000K - 2172lm - CRI>90	
				3000K - 2063lm - CRI>90	

Upon request: available DIMM-DALI (-1241) version.

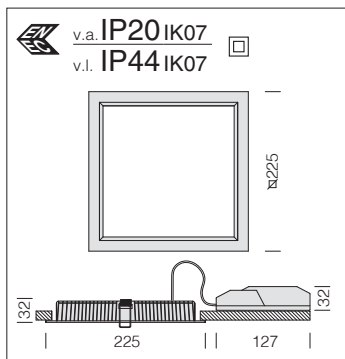
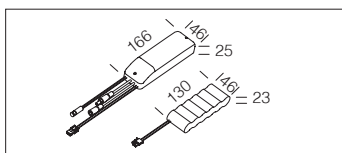
		DIP SWITCH SETTING	
		LUMEN OUTPUT (tq= 25 °C)	
I out	W tot	K - ølm - CRI	
500	19	4000K - 1810lm - CRI>90	
550	21	4000K - 1991lm - CRI>90	
600	23	4000K - 2172lm - CRI>90	

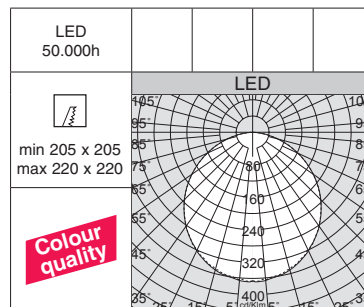
		DIP SWITCH SETTING	
		LUMEN OUTPUT (tq= 25 °C)	
I out	W tot	K - ølm - CRI	
500	19	3000K - 1720lm - CRI>90	
550	21	3000K - 1891lm - CRI>90	
600	23	3000K - 2063lm - CRI>90	

EM power kit	
1h	22096015-00
3h	22096033-00

EM (emergency) lamp power kit complete with connectors.



**Housing:** in die cast aluminium.  
**Diffuser:** polycarbonate panel.  
**LED:** luminous flux maintenance 80%: 50.000h (L80B20).  
 Power factor >0.9.



Eco Lex Q4 - DIP SWITCH					
		CLD		LUMEN OUTPUT (tq= 25 °C)	
LED	colour	weight	code	I out	W tot
LED	white	0,90	22175910-00	800	32
			22175911-00		
				K - ølm - CRI	
				4000K - 2916lm - CRI>90	
				3000K - 2770lm - CRI>90	

Upon request: available DIMM-DALI (-1241) version.

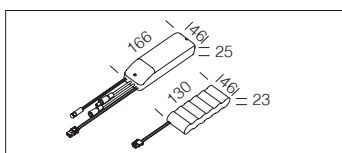
		DIP SWITCH SETTING	
		LUMEN OUTPUT (tq= 25 °C)	
I out	W tot	K - ølm - CRI	
650	26	4000K - 2369lm - CRI>90	
700	28	4000K - 2552lm - CRI>90	
800	32	4000K - 2916lm - CRI>90	

		DIP SWITCH SETTING	
		LUMEN OUTPUT (tq= 25 °C)	
I out	W tot	K - ølm - CRI	
650	26	3000K - 2251lm - CRI>90	
700	28	3000K - 2424lm - CRI>90	
800	32	3000K - 2770lm - CRI>90	

EM power kit	
1h	22096015-00
3h	22096033-00

EM (emergency) lamp power kit complete with connectors.





**Energy:** wide range of recessed luminaires designed to meet the increasingly demanding lighting needs of shopping centres, stores and museums. Moreover, its extraordinary versatility, given a number of different dimensions, allows for simple application and makes them suitable to meet any need. In particular, a pre-existing system can be replaced without changing the entire structure. Maintenance and installation are extremely easy.

**Housing:** fixed downlight in die cast aluminium complete with spring clips for recessed mounting.

**Diffuser:** high-temperature resistant thermoplastic material.

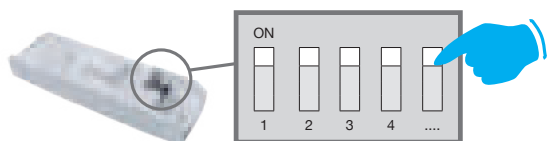
**Coating:** power-coated with a UV-resistant polyester epoxy paint.

**Regulations:** Manufactured in accordance with EN 60598-1-CEI 34.21 standards. Degrees of protection in accordance with EN60529 standards.

**LED:** power factor  $\geq 0,95$ . Luminous flux maintenance 80%: 55.000h (L80B20).

Photobiological safety class: exempt group.

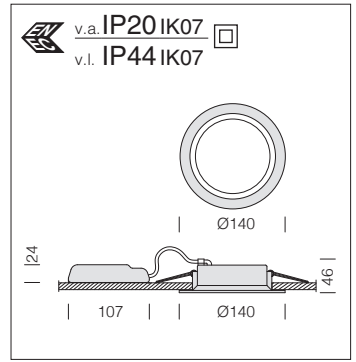
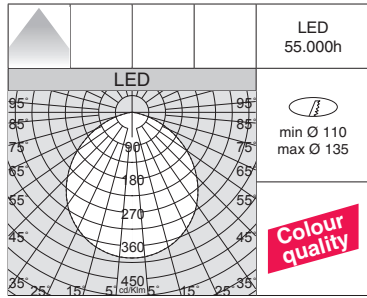
**Upon request:** version with CASAMBI automation lighting control system (fixtures **to be installed in NON-METALLIC false ceilings/panels**). For further information see chapter *Technical components*.



## ADAPT THE CURRENT TO ACHIEVE OPTIMAL LUMINOUS FLUX

**DIP SWITCH SETTING:** the fixture comes with a *DIP SWITCH* driver for **THE SETTING OF THE OUTPUT CURRENT**. In this way you, can **ENSURE THE BEST LUMINOUS FLUX** for any lighting design.

The possibility to choose the correct drive current for LEDs will allow you to have the right power under specific design conditions. Using a lower current will improve the efficiency of fixtures and therefore increase energy savings, whilst a higher current will result in a higher light flux so that you can reduce the number of fixtures.



**LED:** luminous flux maintenance 80%: 55.000h (L80B20).  
Power factor ≥0,95.

Energy 2130 - DIP SWITCH					
CLD			LUMEN OUTPUT (tq= 25 °C)		
LED	colour	weight	code	I out	W tot
LED	white	0.25	22172314-00	400	11
			22172314-39		
K - ølm - CRI					
4000K - 1317lm - CRI 95					
3000K - 1252lm - CRI 95					

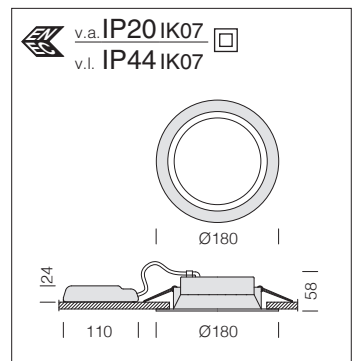
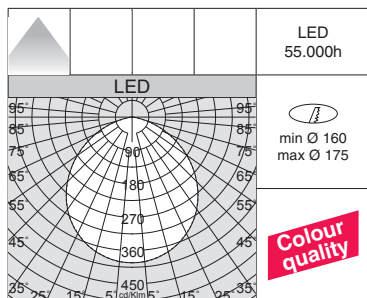
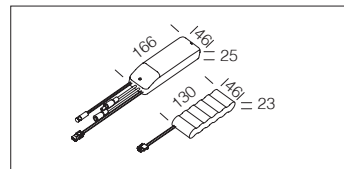
Upon request: DIMM DALI (-1241 and -3941) version.

DIP SWITCH SETTING			LUMEN OUTPUT (tq= 25 °C)	
I out	W tot	K - ølm - CRI		
250	7	4000K - 839lm - CRI 95		
350	10	4000K - 1164lm - CRI 95		
400	11	4000K - 1317lm - CRI 95		

DIP SWITCH SETTING			LUMEN OUTPUT (tq= 25 °C)	
I out	W tot	K - ølm - CRI		
250	7	3000K - 797lm - CRI 95		
350	10	3000K - 1106lm - CRI 95		
400	11	3000K - 1252lm - CRI 95		

EM power kit	
1h	22096035-00
3h	22096037-00

EM (emergency) lamp power kit complete with connectors.



**LED:** luminous flux maintenance 80%: 55.000h (L80B20).  
Power factor ≥0,95.

Energy 2180 - DIP SWITCH					
CLD			LUMEN OUTPUT (tq= 25 °C)		
LED	colour	weight	code	I out	W tot
LED	white	0.40	22172515-00	400	14
			22172515-39		
K - ølm - CRI					
4000K - 1830lm - CRI 95					
3000K - 1702lm - CRI 95					

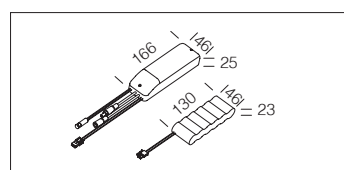
Upon request: DIMM DALI (-1241 and -3941) version.

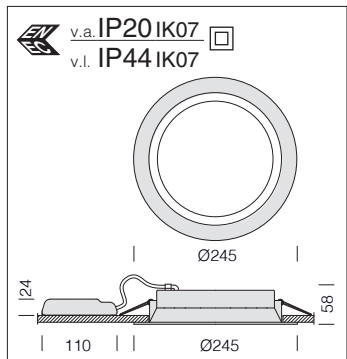
DIP SWITCH SETTING			LUMEN OUTPUT (tq= 25 °C)	
I out	W tot	K - ølm - CRI		
250	9	4000K - 1147lm - CRI 95		
350	13	4000K - 1607lm - CRI 95		
400	14	4000K - 1830lm - CRI 95		
500	19	4000K - 2247lm - CRI 95		

DIP SWITCH SETTING			LUMEN OUTPUT (tq= 25 °C)	
I out	W tot	K - ølm - CRI		
250	9	3000K - 1097lm - CRI 95		
350	13	3000K - 1536lm - CRI 95		
400	14	3000K - 1702lm - CRI 95		
500	19	3000K - 2135lm - CRI 95		

EM power kit	
1h	22096035-00
3h	22096037-00

EM (emergency) lamp power kit complete with connectors.





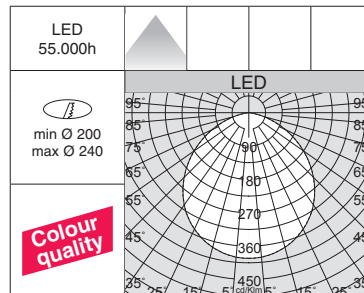
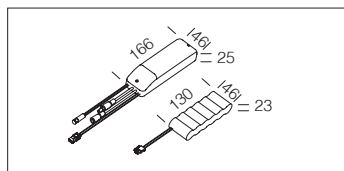
**LED:** luminous flux maintenance 80%: 55.000h (L80B20). Power factor  $\geq 0,95$ .

Energy 2245 - DIP SWITCH					
LED	colour	weight	CLD code	I out	W tot
LED	white	0.60	22172201-00	500	18
			22172201-39		
				LUMEN OUTPUT (tq= 25 °C)	
				K - ølm - CRI	
				4000K - 2385lm - CRI 95	
				3000K - 2266lm - CRI 95	

Upon request: DIMM DALI (-1241 and -3941) version.

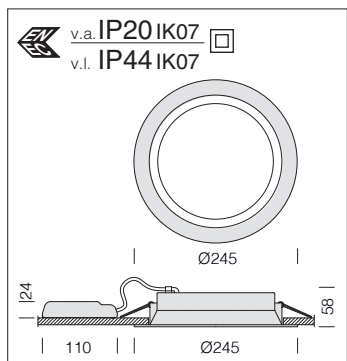
EM power kit	
1h	22096035-00
3h	22096037-00

EM (emergency) lamp power kit complete with connectors.



DIP SWITCH SETTING		
I out	W tot	LUMEN OUTPUT (tq= 25 °C)
K - ølm - CRI		
400	14	4000K - 1926lm - CRI 95
500	18	4000K - 2385lm - CRI 95
525	19	4000K - 2503lm - CRI 95
550	20	4000K - 2626lm - CRI 95
600	22	4000K - 2884lm - CRI 95
700	25	4000K - 3342lm - CRI 95
725	26	4000K - 3461lm - CRI 95

DIP SWITCH SETTING		
I out	W tot	LUMEN OUTPUT (tq= 25 °C)
K - ølm - CRI		
400	14	3000K - 1854lm - CRI 95
500	18	3000K - 2266lm - CRI 95
525	19	3000K - 2379lm - CRI 95
550	20	3000K - 2503lm - CRI 95
600	22	3000K - 2729lm - CRI 95
700	25	3000K - 3175lm - CRI 95
725	26	3000K - 3289lm - CRI 95



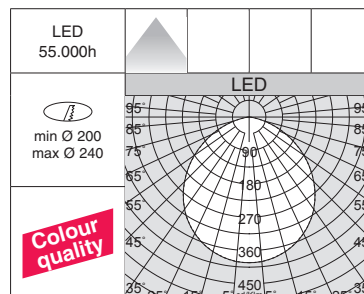
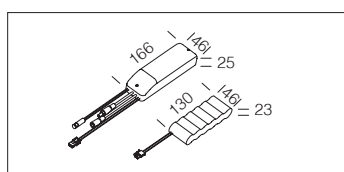
**LED:** luminous flux maintenance 80%: 55.000h (L80B20). Power factor  $\geq 0,95$ .

Energy 2245 - DIP SWITCH					
LED	colour	weight	CLD code	I out	W tot
LED	white	0.60	22172202-00	700	25
			22172202-39		
				LUMEN OUTPUT (tq= 25 °C)	
				K - ølm - CRI	
				4000K - 3342lm - CRI 95	
				3000K - 3175lm - CRI 95	

Upon request: DIMM DALI (-1241 and -3941) version.

EM power kit	
1h	22096035-00
3h	22096037-00

EM (emergency) lamp power kit complete with connectors.



DIP SWITCH SETTING		
I out	W tot	LUMEN OUTPUT (tq= 25 °C)
K - ølm - CRI		
700	25	4000K - 3342lm - CRI 95
750	27	4000K - 3538lm - CRI 95
800	29	4000K - 3775lm - CRI 95

DIP SWITCH SETTING		
I out	W tot	LUMEN OUTPUT (tq= 25 °C)
K - ølm - CRI		
700	25	3000K - 3175lm - CRI 95
750	27	3000K - 3362lm - CRI 95
800	29	3000K - 3586lm - CRI 95





**Saving LED** is a family of recessed spotlights especially suitable for shielded, wide beam, long-lasting and durable lighting. A complete range of round recessed spotlights to get the best lighting results in public spaces: stores, showrooms or hotels. Saving LED improves the control of the lights in stores with all the advantages of LED sources.

**Housing:** in die cast aluminium.

**Reflector:** optics in aluminium to optimise light efficiency.

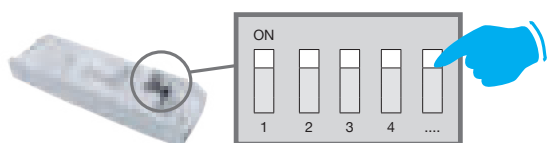
**Installation:** is equipped with galvanised steel support brackets, with housing for springs for attachment to the false ceilings.

**Coating:** dust painted, using polyester epoxy paint to withstand UV rays.

**Standard supply:** Includes adjustable steel bracket.

**LED:** luminous flux maintenance 80%: 50.000h (L80B20). Power factor >0.9.

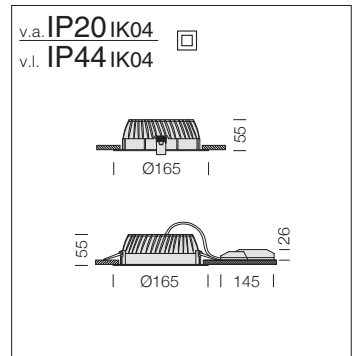
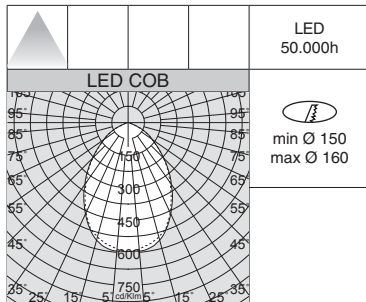
**Upon request:** version with CASAMBI automation lighting control system (fixtures **to be installed in NON-METALLIC false ceilings/panels**). For further information see chapter *Technical components*.



## ADAPT THE CURRENT TO ACHIEVE OPTIMAL LUMINOUS FLUX

**DIP SWITCH SETTING:** the fixture comes with a *DIP SWITCH* driver for **THE SETTING OF THE OUTPUT CURRENT**. In this way you, can **ENSURE THE BEST LUMINOUS FLUX** for any lighting design.

The possibility to choose the correct drive current for LEDs will allow you to have the right power under specific design conditions. Using a lower current will improve the efficiency of fixtures and therefore increase energy savings, whilst a higher current will result in a higher light flux so that you can reduce the number of fixtures.



**LED:** luminous flux maintenance 80%: 50.000h (L80B20). Power factor >0.9.

Saving 165 - DIP SWITCH						
LED	colour	weight	CLD		LUMEN OUTPUT (tq= 25 °C)	
			code	I out	W tot	K - ølm - CRI
LED	white	0,40	22176411-00	200	6	4000K - 712lm - CRI 85
			22176410-00			3000K - 676lm - CRI 85

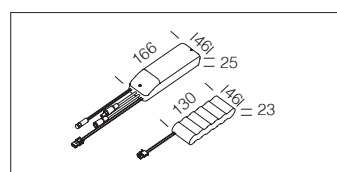
Upon request: DIMM DALI (-1241) version.

DIP SWITCH SETTING		
I out	W tot	LUMEN OUTPUT (tq= 25 °C)
		K - ølm - CRI
200	6*	4000K - 712lm - CRI 85
250	8	4000K - 875lm - CRI 85
300	9	4000K - 1037lm - CRI 85
350	10	4000K - 1187lm - CRI 85

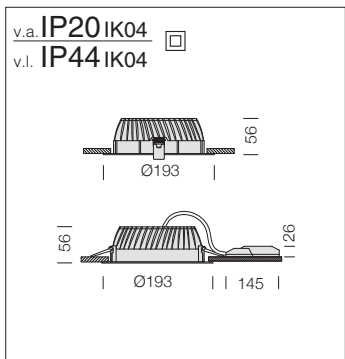
DIP SWITCH SETTING		
I out	W tot	LUMEN OUTPUT (tq= 25 °C)
		K - ølm - CRI
200	6*	3000K - 676lm - CRI 85
250	8	3000K - 831lm - CRI 85
300	9	3000K - 986lm - CRI 85
350	10	3000K - 1128lm - CRI 85

EM power kit	
1h	22096015-00
3h	22096033-00

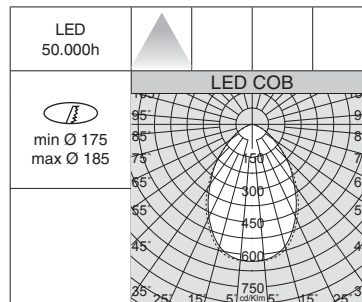
EM (emergency) lamp power kit complete with connectors.







**LED:** luminous flux maintenance 80%: 50.000h (L80B20). Power factor >0.9.



Saving 193 - DIP SWITCH						
LED	colour	weight	CLD code	I out	W tot	LUMEN OUTPUT (tq= 25 °C)
LED	white	0,55	22176511-00	250	10	4000K - 1181lm - CRI 85
			22176510-00			3000K - 1122lm - CRI 85

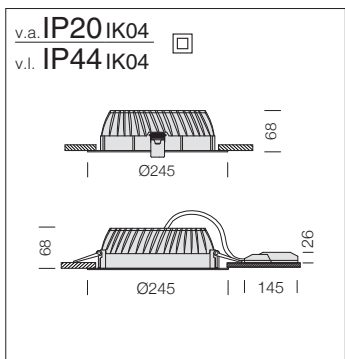
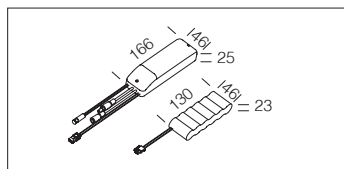
**Upon request:** DIMM DALI (-1241) version.

DIP SWITCH SETTING		
I out	W tot	LUMEN OUTPUT (tq= 25 °C)
		K - ølm - CRI
200	8*	4000K - 951lm - CRI 85
250	10*	4000K - 1181lm - CRI 85
300	12	4000K - 1399lm - CRI 85
350	13	4000K - 1600lm - CRI 85

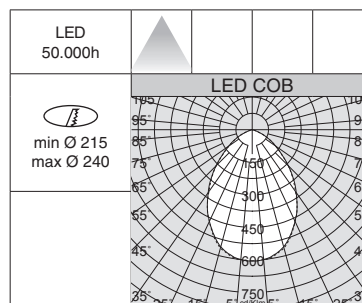
DIP SWITCH SETTING		
I out	W tot	LUMEN OUTPUT (tq= 25 °C)
		K - ølm - CRI
200	8*	3000K - 903lm - CRI 85
250	10*	3000K - 1122lm - CRI 85
300	12	3000K - 1329lm - CRI 85
350	13	3000K - 1520lm - CRI 85

EM power kit	
1h	22096015-00
3h	22096033-00

EM (emergency) lamp power kit complete with connectors.



**LED:** luminous flux maintenance 80%: 50.000h (L80B20). Power factor >0.9.



Saving 245 - DIP SWITCH						
LED	colour	weight	CLD code	I out	W tot	LUMEN OUTPUT (tq= 25 °C)
LED	white	1,10	22176711-00	450	17	4000K - 2107lm - CRI 85
			22176710-00			3000K - 2001lm - CRI 85

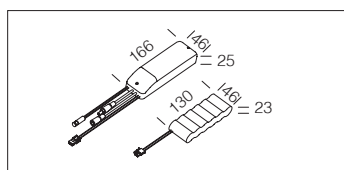
**Upon request:** DIMM DALI (-1241) version.

DIP SWITCH SETTING		
I out	W tot	LUMEN OUTPUT (tq= 25 °C)
		K - ølm - CRI
450	17*	4000K - 2107lm - CRI 85
500	19	4000K - 2318lm - CRI 85
550	21	4000K - 2535lm - CRI 85
600	23	4000K - 2738lm - CRI 85

DIP SWITCH SETTING		
I out	W tot	LUMEN OUTPUT (tq= 25 °C)
		K - ølm - CRI
450	17*	3000K - 2001lm - CRI 85
500	19	3000K - 2202lm - CRI 85
550	21	3000K - 2408lm - CRI 85
600	23	3000K - 2601lm - CRI 85

EM power kit	
1h	22096015-00
3h	22096033-00

EM (emergency) lamp power kit complete with connectors.





A range of recessed spotlights, incorporating latest generation LED CRI 92 modules. This line of products was created to meet the needs of lighting systems used for the decoration of interior spaces that are becoming more demanding every day. Lighting systems are required to be energy-efficient and flexible in order to define spaces according to different needs, offer striking visual impact, ensure low management costs, and guarantee long service life.

**Housing:** in die cast aluminium with clear polycarbonate diffuser.

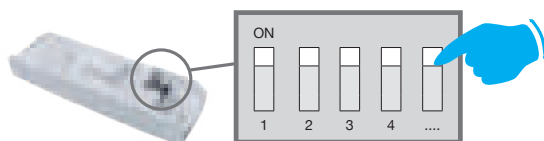
**Reflector:** white oxidised smooth optics.

**Lens:** in PMMA with high efficiency output and very low glare rate

**LED:** luminous flux maintenance 80%: 50.000h (L80B20). Power factor >0.9.  
Photobiological safety class: exempt group.

**Upon request:**

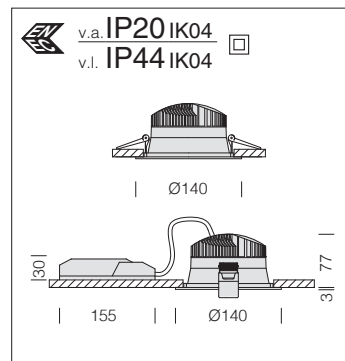
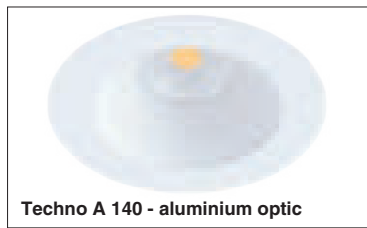
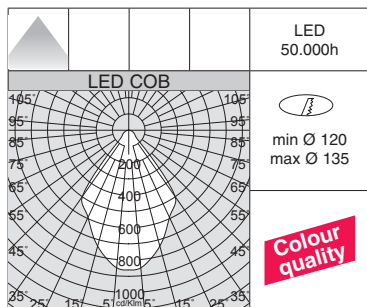
- available DIMM-DALI version.
  - version with CASAMBI automation lighting control system (fixtures **to be installed in NON-METALLIC false ceilings/panels**).
- For further information see chapter *Technical components*.



## ADAPT THE CURRENT TO ACHIEVE OPTIMAL LUMINOUS FLUX

**DIP SWITCH SETTING:** the fixture comes with a *DIP SWITCH* driver for **THE SETTING OF THE OUTPUT CURRENT**. In this way you, can **ENSURE THE BEST LUMINOUS FLUX** for any lighting design.

The possibility to choose the correct drive current for LEDs will allow you to have the right power under specific design conditions. Using a lower current will improve the efficiency of fixtures and therefore increase energy savings, whilst a higher current will result in a higher light flux so that you can reduce the number of fixtures.



**LED:** luminous flux maintenance 80%: 50.000h (L80B20).  
Power factor >0.9.

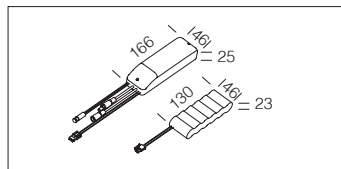
**Upon request:** available DIMM-DALI (-1241) version.



Techno B 140 - DIP SWITCH - TOTAL WHITE						
		CLD		LUMEN OUTPUT (tq= 25 °C)		
LED	colour	weight	code	I out	W tot	K - ølm - CRI
COB	white	0,40	22163012-00	250	9	4000K - 1053lm - CRI 92

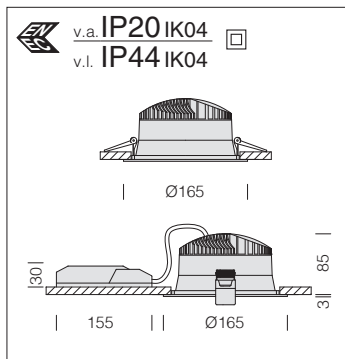
Upon request: Techno A 140 with white oxidised smooth multi-faceted optics for greater light control and efficiency.

DIP SWITCH SETTING		
I out	W tot	LUMEN OUTPUT (tq= 25 °C) K - ølm - CRI
250	9*	4000K - 1053lm - CRI 92
300	11	4000K - 1254lm - CRI 92
350	13	4000K - 1447lm - CRI 92
400	15	4000K - 1614lm - CRI 92



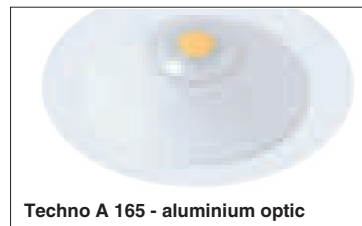
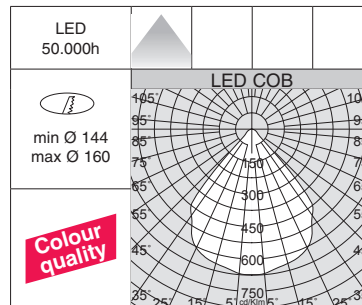
EM power kit	
1h	22096015-00
3h	22096033-00

EM (emergency) lamp power kit complete with connectors.



**LED:** luminous flux maintenance 80%: 50.000h (L80B20). Power factor >0.9.

**Upon request:** available DIMM-DALI (-1241) version.



Techno A 165 - aluminium optic

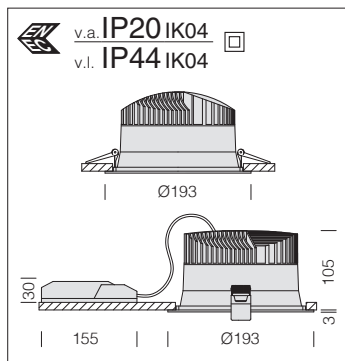
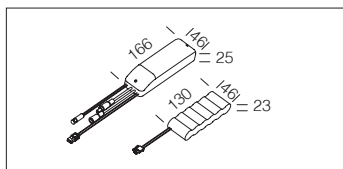
Techno B 165 - DIP SWITCH - TOTAL WHITE						
		CLD		LUMEN OUTPUT (tq= 25 °C)		
LED	colour	weight	code	I out	W tot	K - ølm - CRI
COB	white	0,50	22163112-00	600	22	4000K - 2444lm - CRI 92

**Upon request:** Techno A 165 with white oxidised smooth multi-faceted optics for greater light control and efficiency.

		DIP SWITCH SETTING	
		LUMEN OUTPUT (tq= 25 °C)	
I out	W tot	K - ølm - CRI	
550	20	4000K - 2253lm - CRI 92	
600	22	4000K - 2444lm - CRI 92	
650	24	4000K - 2608lm - CRI 92	
700	25	4000K - 2775lm - CRI 92	

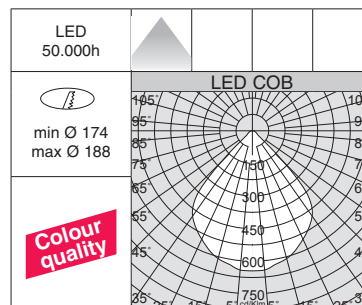
EM power kit	
1h	22096015-00
3h	22096033-00

EM (emergency) lamp power kit complete with connectors.



**LED:** luminous flux maintenance 80%: 50.000h (L80B20). Power factor >0.9.

**Upon request:** available DIMM-DALI (-1241) version.



Techno A 193 - aluminium optic

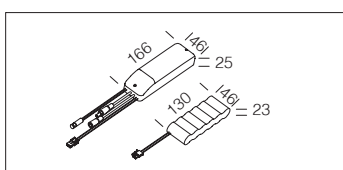
Techno B 193 - DIP SWITCH - TOTAL WHITE						
		CLD		LUMEN OUTPUT (tq= 25 °C)		
LED	colour	weight	code	I out	W tot	K - ølm - CRI
COB	white	1,00	22163212-00	800	30	4000K - 3379lm - CRI 92

**Upon request:** Techno A 193 with white oxidised smooth multi-faceted optics for greater light control and efficiency.

		DIP SWITCH SETTING	
		LUMEN OUTPUT (tq= 25 °C)	
I out	W tot	K - ølm - CRI	
600	22	4000K - 2600lm - CRI 92	
650	24	4000K - 2794lm - CRI 92	
700	25	4000K - 2977lm - CRI 92	
800	30	4000K - 3379lm - CRI 92	

EM power kit	
1h	22096015-00
3h	22096033-00

EM (emergency) lamp power kit complete with connectors.



new

new

RG0

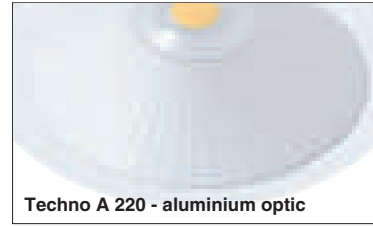
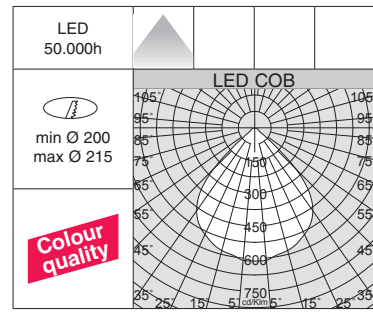
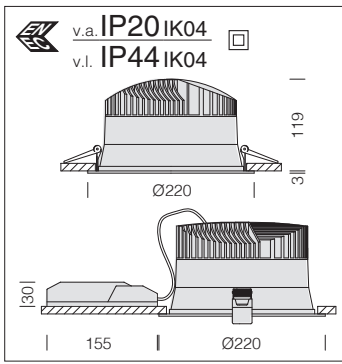
LOW FLICKER

CASAMB

new

RECESSED DOWNLIGHTS





Techno A 220 - aluminium optic

**LED:** luminous flux maintenance 80%: 50.000h (L80B20). Power factor >0.9.

**Upon request:** available DIMM-DALI (-1241) version.

Techno B 220 - DIP SWITCH - TOTAL WHITE						
		CLD		LUMEN OUTPUT (tq= 25 °C)		
LED	colour	weight	code	I out	W tot	K - ølm - CRI
COB	white	1,50	22163312-00	1200	45	4000K - 4765lm - CRI 92

**Upon request:** Techno A 220 with white oxidised smooth multi-faceted optics for greater light control and efficiency.

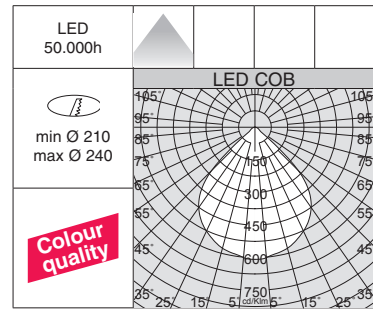
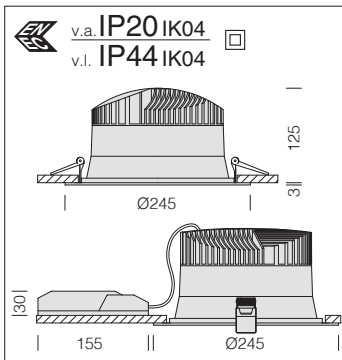
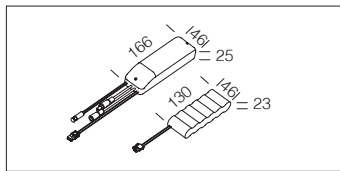
DIP SWITCH SETTING		
LUMEN OUTPUT (tq= 25 °C)		
I out	W tot	K - ølm - CRI
1050	40	4000K - 4257lm - CRI 92
1200	45	4000K - 4765lm - CRI 92

- 
- 
- 
- 
- 
- 
- 
- 

RECESSED DOWNLIGHTS

EM power kit	
1h	22096015-00
3h	22096033-00

EM (emergency) lamp power kit complete with connectors.



Techno A 245 - aluminium optic

**LED:** luminous flux maintenance 80%: 50.000h (L80B20). Power factor >0.9.

**Upon request:** available DIMM-DALI (-1241) version.

Techno B 245 - DIP SWITCH - TOTAL WHITE						
		CLD		LUMEN OUTPUT (tq= 25 °C)		
LED	colour	weight	code	I out	W tot	K - ølm - CRI
COB	white	1,60	22163412-00	1400	52	4000K - 5615lm - CRI 92

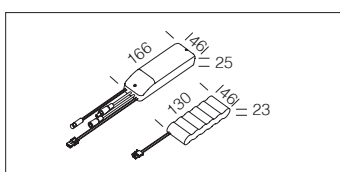
**Upon request:** Techno A 245 with white oxidised smooth multi-faceted optics for greater light control and efficiency.

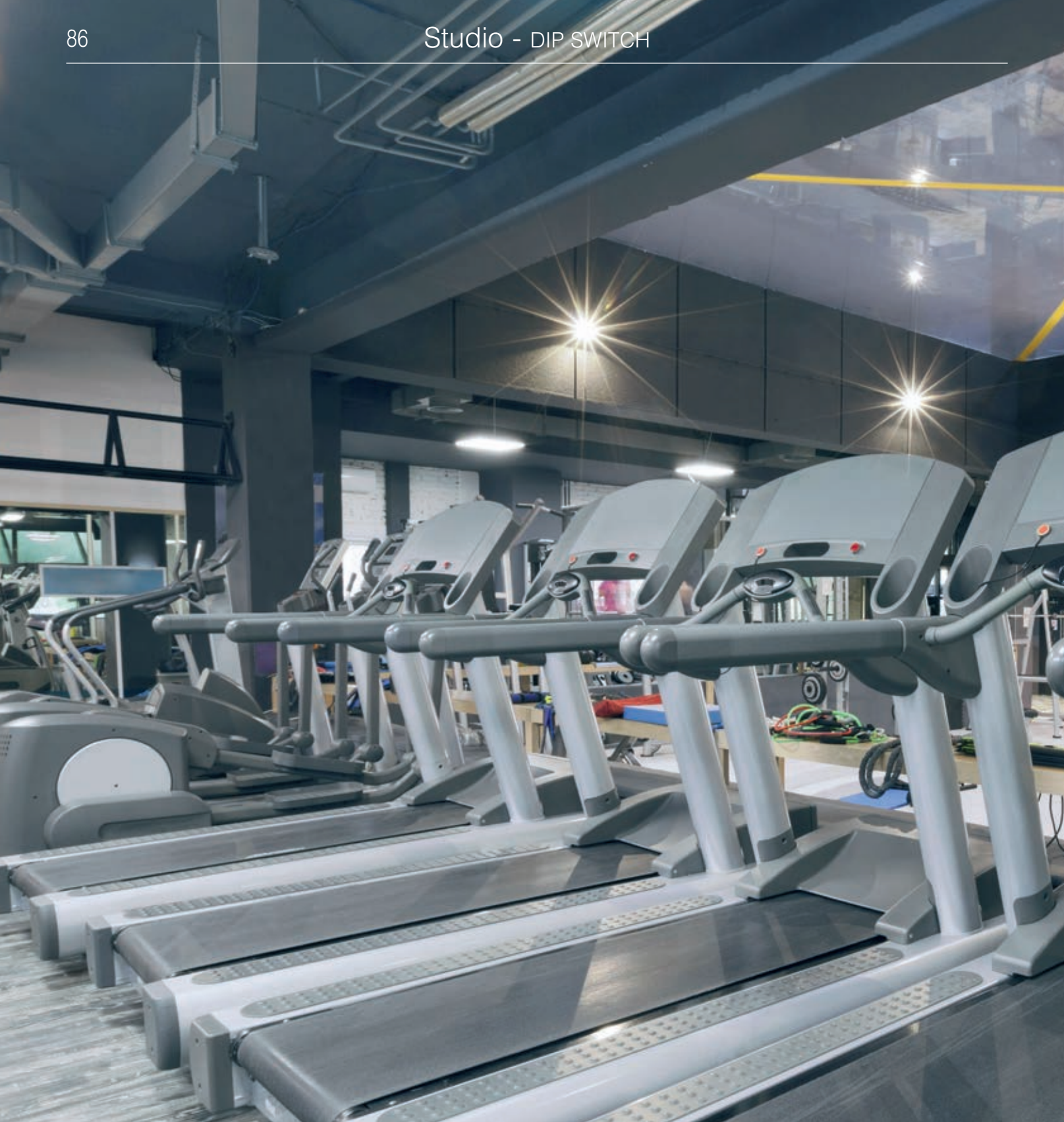
DIP SWITCH SETTING		
LUMEN OUTPUT (tq= 25 °C)		
I out	W tot	K - ølm - CRI
1050	40	4000K - 4412lm - CRI 92
1200	45	4000K - 4940lm - CRI 92
1400	52	4000K - 5615lm - CRI 92

- 
- 
- 
- 
- 
- 
- 
- 

EM power kit	
1h	22096015-00
3h	22096033-00

EM (emergency) lamp power kit complete with connectors.





#### Studio - URG<19

**Housing:** in die cast aluminium with clear PMMA diffuser.

**Reflector:** optics in oxidised and polished aluminium.

**LED:** luminous flux maintenance 80%: 50.000h (L80B20).  
Power factor >0.9.

#### Upon request:

- available DIMM-DALI version.
  - available version with 2700K / 5000K LED.
  - version with CASAMBI automation lighting control system (fixtures **to be installed in NON-METALLIC false ceilings/panels**).
- For further information see chapter *Technical components*.

#### Studio - URG<22

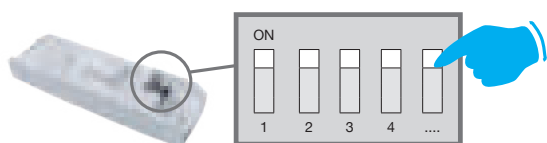
**Housing:** in die cast aluminium with clear polycarbonate diffuser.

**Reflector:** optics in high gloss, anti-glare aluminium to optimise light efficiency.

**Lens:** in PMMA with high efficiency output and very low glare rate.

**LED:** luminous flux maintenance 80%: 50.000h (L80B20). Power factor >0.9.



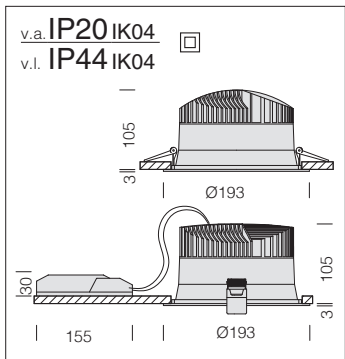


## ADAPT THE CURRENT TO ACHIEVE OPTIMAL LUMINOUS FLUX

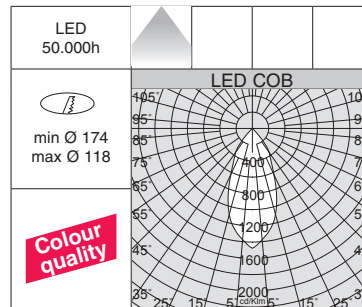
**DIP SWITCH SETTING:** the fixture comes with a *DIP SWITCH* driver for **THE SETTING OF THE OUTPUT CURRENT**. In this way you, can **ENSURE THE BEST LUMINOUS FLUX** for any lighting design.

The possibility to choose the correct drive current for LEDs will allow you to have the right power under specific design conditions. Using a lower current will improve the efficiency of fixtures and therefore increase energy savings, whilst a higher current will result in a higher light flux so that you can reduce the number of fixtures.





**LED:** luminous flux maintenance 80%: 50.000h (L80B20). Power factor >0.9.



RECESSED DOWNLIGHTS

Studio 193 - DIP SWITCH						
LED	colour	weight	CLD code	I out	W tot	LUMEN OUTPUT (tq= 25 °C) K - ølm - CRI
COB	white	1,05	22161010-00	750	28	4000K - 3188lm - CRI>90
			22161010-39			3000K - 3029lm - CRI>90

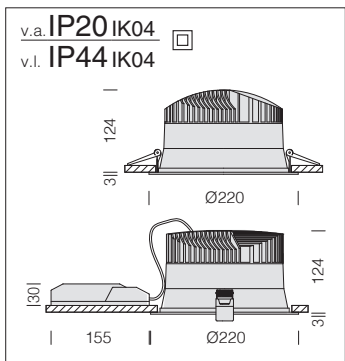
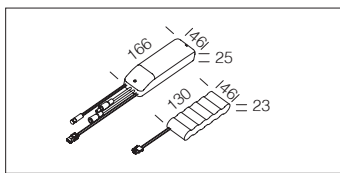
Upon request: available DIMM DALI (-1241 and -3941) version.

DIP SWITCH SETTING		
LUMEN OUTPUT (tq= 25 °C)		
I out	W tot	K - ølm - CRI
600	22*	4000K - 2618lm - CRI>90
650	24*	4000K - 2805lm - CRI>90
750	28*	4000K - 3188lm - CRI>90
850	31	4000K - 3579lm - CRI>90

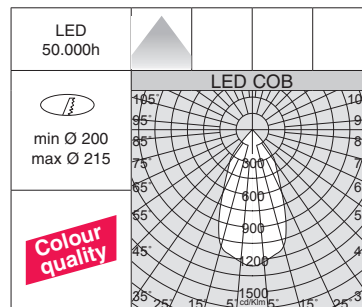
DIP SWITCH SETTING		
LUMEN OUTPUT (tq= 25 °C)		
I out	W tot	K - ølm - CRI
600	22*	3000K - 2487lm - CRI>90
650	24*	3000K - 2665lm - CRI>90
750	28*	3000K - 3029lm - CRI>90
850	31	3000K - 3400lm - CRI>90

EM power kit	
1h	22096015-00
3h	22096033-00

EM (emergency) lamp power kit complete with connectors.



**LED:** luminous flux maintenance 80%: 50.000h (L80B20). Power factor >0.9.



Studio 220 - DIP SWITCH						
LED	colour	weight	CLD code	I out	W tot	LUMEN OUTPUT (tq= 25 °C) K - ølm - CRI
COB	white	1,60	22161110-00	1050	40	4000K - 4286lm - CRI>90
			22161110-39			3000K - 4072lm - CRI>90

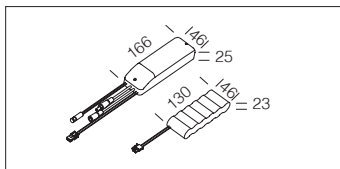
Upon request: available DIMM DALI (-1241 and -3941) version.

DIP SWITCH SETTING		
LUMEN OUTPUT (tq= 25 °C)		
I out	W tot	K - ølm - CRI
850	31	4000K - 3606lm - CRI>90
900	34	4000K - 3775lm - CRI>90
950	36	4000K - 3940lm - CRI>90
1050	40	4000K - 4286lm - CRI>90

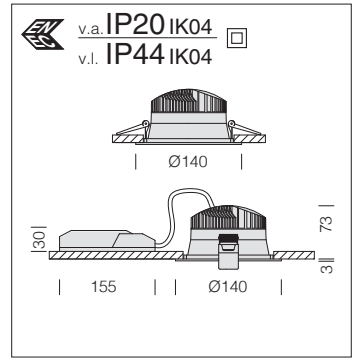
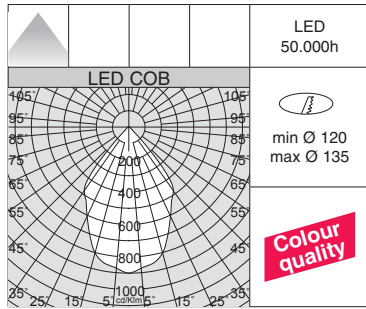
DIP SWITCH SETTING		
LUMEN OUTPUT (tq= 25 °C)		
I out	W tot	K - ølm - CRI
850	31	3000K - 3426lm - CRI>90
900	34	3000K - 3586lm - CRI>90
950	36	3000K - 3743lm - CRI>90
1050	40	3000K - 4072lm - CRI>90

EM power kit	
1h	22096015-00
3h	22096033-00

EM (emergency) lamp power kit complete with connectors.



- 
- 
- 
- 
- 
- 
- 
- 



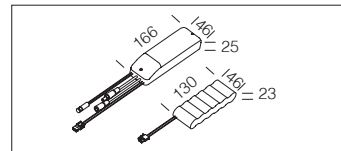
LED: luminous flux maintenance 80%: 50.000h (L80B20).  
Power factor >0,9.

Studio B 140 - DIP SWITCH						
CLD				LUMEN OUTPUT (tq= 25 °C)		
LED	colour	weight	code	I out	W tot	K - ølm - CRI
COB	white	0,40	22160811-00	350	13	4000K - 1520lm - CRI>90
			22160811-39			3000K - 1444lm - CRI>90

Upon request: available DIMM DALI (-1241 and -3941) version.

DIP SWITCH SETTING						
LUMEN OUTPUT (tq= 25 °C)						
I out	W tot	K - ølm - CRI				
250	9	4000K - 1099lm - CRI>90				
300	11	4000K - 1310lm - CRI>90				
350	13	4000K - 1520lm - CRI>90				
400	15	4000K - 1709lm - CRI>90				

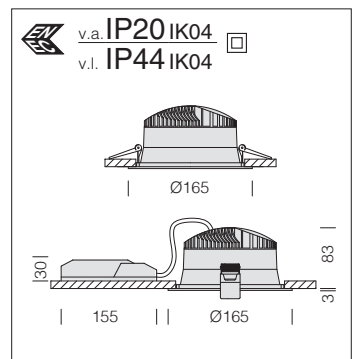
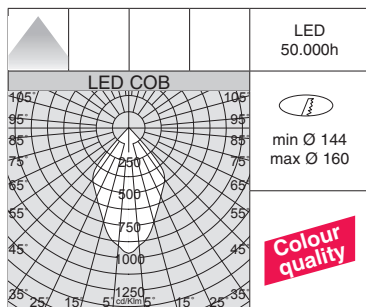
DIP SWITCH SETTING						
LUMEN OUTPUT (tq= 25 °C)						
I out	W tot	K - ølm - CRI				
250	9	3000K - 1044lm - CRI>90				
300	11	3000K - 1244lm - CRI>90				
350	13	3000K - 1444lm - CRI>90				
400	15	3000K - 1624lm - CRI>90				



EM power kit	
1h	22096015-00
3h	22096033-00

EM (emergency) lamp power kit complete with connectors.

- 
- 
- 
- 
- 
- 
- 
- 



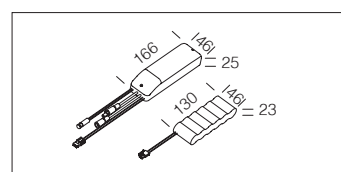
LED: luminous flux maintenance 80%: 50.000h (L80B20).  
Power factor >0,9.

Studio B 165 - DIP SWITCH						
CLD				LUMEN OUTPUT (tq= 25 °C)		
LED	colour	weight	code	I out	W tot	K - ølm - CRI
COB	white	0,60	22160911-00	550	20	4000K - 2290lm - CRI>90
			22160911-39			3000K - 2176lm - CRI>90

Upon request: available DIMM DALI (-1241 and -3941) version.

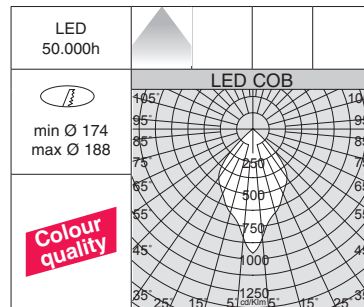
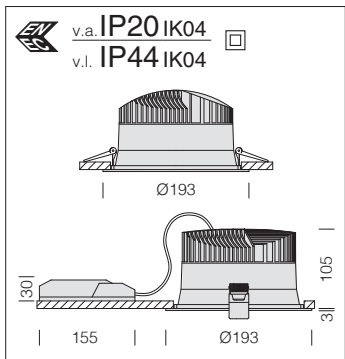
DIP SWITCH SETTING						
LUMEN OUTPUT (tq= 25 °C)						
I out	W tot	K - ølm - CRI				
550	20	4000K - 2290lm - CRI>90				
600	22	4000K - 2450lm - CRI>90				
650	24	4000K - 2722lm - CRI>90				
700	25	4000K - 2914lm - CRI>90				

DIP SWITCH SETTING						
LUMEN OUTPUT (tq= 25 °C)						
I out	W tot	K - ølm - CRI				
550	20	3000K - 2176lm - CRI>90				
600	22	3000K - 2328lm - CRI>90				
650	24	3000K - 2586lm - CRI>90				
700	25	3000K - 2768lm - CRI>90				



EM power kit	
1h	22096015-00
3h	22096033-00

EM (emergency) lamp power kit complete with connectors.



- 
- 
- 
- 
- 
- 
- 
- 

**LED:** luminous flux maintenance 80%: 50.000h (L80B20). Power factor >0,9.

Studio B 193 - DIP SWITCH						
LED	colour	weight	CLD code	I out	W tot	LUMEN OUTPUT (tq= 25 °C) K - ølm - CRI
COB	white	1,10	22161011-00	600	22	4000K - 2718lm - CRI>90
			22161011-39			3000K - 2582lm - CRI>90

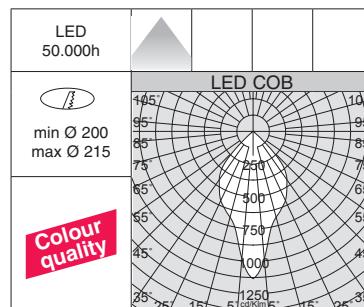
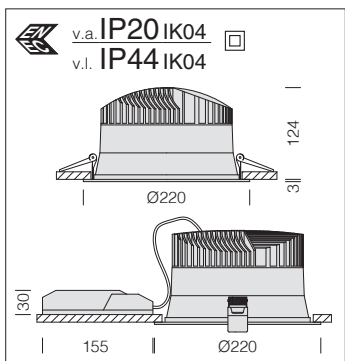
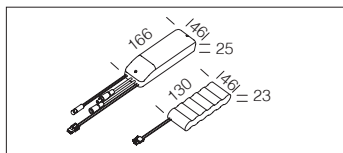
Upon request: available DIMM DALI (-1241 and -3941) version.

DIP SWITCH SETTING			LUMEN OUTPUT (tq= 25 °C)	
I out	W tot		K - ølm - CRI	
600	22*		4000K - 2718lm	CRI>90
650	24		4000K - 2913lm	CRI>90
750	28		4000K - 3340lm	CRI>90
800	30		4000K - 3492lm	CRI>90

DIP SWITCH SETTING			LUMEN OUTPUT (tq= 25 °C)	
I out	W tot		K - ølm - CRI	
600	22*		3000K - 2582lm	CRI>90
650	24		3000K - 2767lm	CRI>90
750	28		3000K - 3173lm	CRI>90
800	30		3000K - 3317lm	CRI>90

EM power kit	
1h	22096015-00
3h	22096033-00

EM (emergency) lamp power kit complete with connectors.



- 
- 
- 
- 
- 
- 
- 
- 

**LED:** luminous flux maintenance 80%: 50.000h (L80B20). Power factor >0,9.

Studio B 220 - DIP SWITCH						
LED	colour	weight	CLD code	I out	W tot	LUMEN OUTPUT (tq= 25 °C) K - ølm - CRI
COB	white	1,60	22161111-00	1050	40	4000K - 4451lm - CRI>90
			22161111-39			3000K - 4228lm - CRI>90

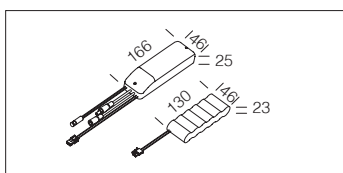
Upon request: available DIMM DALI (-1241 and -3941) version.

DIP SWITCH SETTING			LUMEN OUTPUT (tq= 25 °C)	
I out	W tot		K - ølm - CRI	
850	32		4000K - 3724lm	CRI>90
900	34		4000K - 3899lm	CRI>90
950	36		4000K - 4070lm	CRI>90
1050	40		4000K - 4451lm	CRI>90

DIP SWITCH SETTING			LUMEN OUTPUT (tq= 25 °C)	
I out	W tot		K - ølm - CRI	
850	32		3000K - 3538lm	CRI>90
900	34		3000K - 3704lm	CRI>90
950	36		3000K - 3867lm	CRI>90
1050	40		3000K - 4228lm	CRI>90

EM power kit	
1h	22096015-00
3h	22096033-00

EM (emergency) lamp power kit complete with connectors.





A family of fixtures designed to combine high energy saving with excellent light quality, to address diverse needs concerning both safety and maintenance. The fixture's design is extremely clean and functional. Manufactured in accordance with standards EN12464 for VDT.

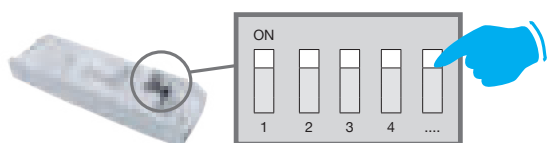
**Housing-reflector:** in V2 shatterproof, self-extinguishing polycarbonate, coated with high-performance aluminium powder and equipped with anti-reflection and anti-glare optics. Perimeter border on the false ceiling has white or aluminium coloured photogravure finishing. Support bracket in galvanised steel with housings for fastening springs made in galvanised steel wire for false ceiling mounting. Shielding at 65°.

**Standard:** manufactured pursuant to EN 60598-1-CEI 34-21 and with a degree of protection pursuant to EN 60529

#### Benefits

- No maintenance
- Selection of different colour temperatures
- Easy installation
- Low initial investment
- High-efficiency light sources.
- Photobiological risk: exempt Group

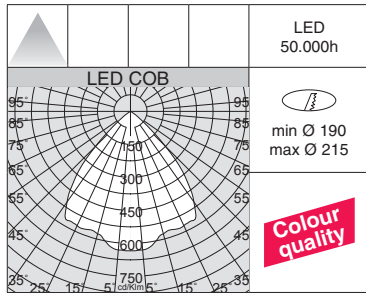
**Upon request:** version with CASAMBI automation lighting control system (fixtures **to be installed in NON-METALLIC false ceilings/panels**). For further information see chapter *Technical components*.



## ADAPT THE CURRENT TO ACHIEVE OPTIMAL LUMINOUS FLUX

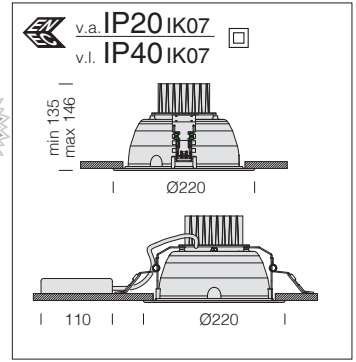
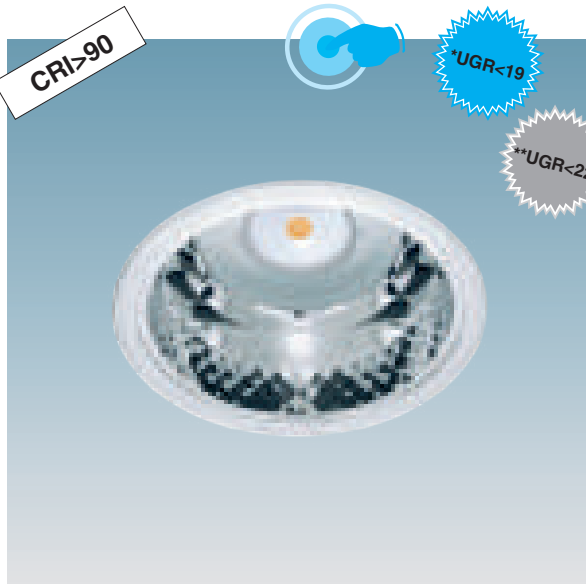
**DIP SWITCH SETTING:** the fixture comes with a *DIP SWITCH* driver for **THE SETTING OF THE OUTPUT CURRENT**. In this way you, can **ENSURE THE BEST LUMINOUS FLUX** for any lighting design.

The possibility to choose the correct drive current for LEDs will allow you to have the right power under specific design conditions. Using a lower current will improve the efficiency of fixtures and therefore increase energy savings, whilst a higher current will result in a higher light flux so that you can reduce the number of fixtures.



**Dark light reflector:** V2 self-extinguishing polycarbonate; metalized aluminium powder coated through a C.V.D. hard-vacuum process for greater light control and efficiency.

\*UGR<19 = 13W  
\*\*UGR<22 = 17W ÷ 24W



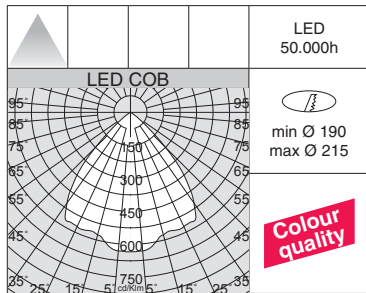
**LED:** luminous flux maintenance 80%: 50.000h (L80B20). Power factor >0.95.

Office 1 DARK - DIP SWITCH						
		CLD		LUMEN OUTPUT (tq= 25 °C)		
LED	colour	weight	code	I out	W tot	K - ølm - CRI
COB	aluminium	1,10	22152972-00	350	13	4000K - 1484lm - CRI>90
			22152972-39			3000K - 1409lm - CRI>90

Upon request: version with white rim and DIMM DALI (-1241 and -3941) version.

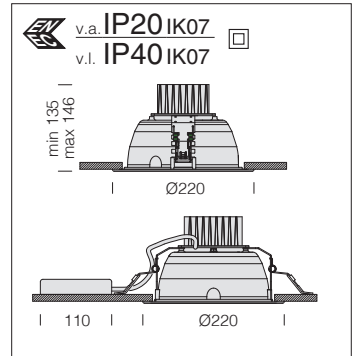
DIP SWITCH SETTING						
		LUMEN OUTPUT (tq= 25 °C)				
I out	W tot	K - ølm - CRI				
350	13*	4000K - 1484lm - CRI>90				
450	17**	4000K - 1889lm - CRI>90				
550	20**	4000K - 2302lm - CRI>90				
650	24**	4000K - 2682lm - CRI>90				

DIP SWITCH SETTING						
		LUMEN OUTPUT (tq= 25 °C)				
I out	W tot	K - ølm - CRI				
350	13*	3000K - 1409lm - CRI>90				
450	17**	3000K - 1714lm - CRI>90				
550	20**	3000K - 2186lm - CRI>90				
650	24**	3000K - 2548lm - CRI>90				



**Dark light reflector:** V2 self-extinguishing polycarbonate; metalized aluminium powder coated through a C.V.D. hard-vacuum process for greater light control and efficiency.

\*\*UGR<22 = 31W



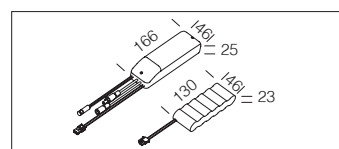
**LED:** luminous flux maintenance 80%: 50.000h (L80B20). Power factor >0.95.

Office 1 DARK - DIP SWITCH						
		CLD		LUMEN OUTPUT (tq= 25 °C)		
LED	colour	weight	code	I out	W tot	K - ølm - CRI
COB	aluminium	1,10	22152973-00	850	31	4000K - 3412lm - CRI>90
			22152973-39			3000K - 3241lm - CRI>90

Upon request: version with white rim and DIMM DALI (-1241 and -3941) version.

DIP SWITCH SETTING						
		LUMEN OUTPUT (tq= 25 °C)				
I out	W tot	K - ølm - CRI				
850	31*	4000K - 3412lm - CRI>90				
950	35	4000K - 3771lm - CRI>90				
1050	39	4000K - 4090lm - CRI>90				

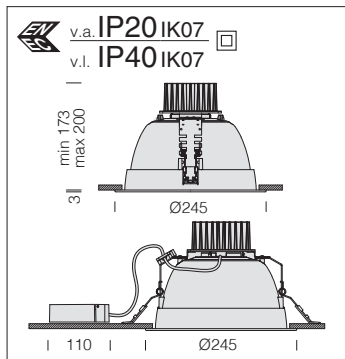
DIP SWITCH SETTING						
		LUMEN OUTPUT (tq= 25 °C)				
I out	W tot	K - ølm - CRI				
850	31*	3000K - 3241lm - CRI>90				
950	35	3000K - 3582lm - CRI>90				
1050	39	3000K - 3885lm - CRI>90				



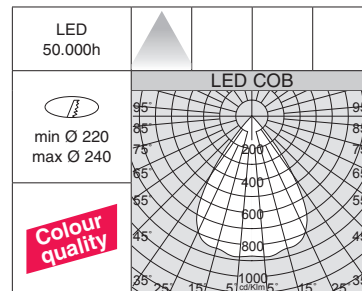
EM power kit	
1h	22096035-00
3h	22096037-00

EM (emergency) lamp power kit complete with connectors.





**LED:** luminous flux maintenance 80%: 50.000h (L80B20). Power factor >0.95.



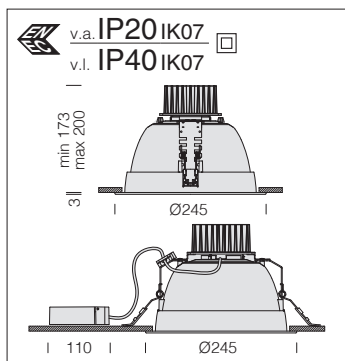
**Dark light reflector:** V2 self-extinguishing polycarbonate; metalized aluminium powder coated through a C.V.D. hard-vacuum process for greater light control and efficiency.

Office 2 Dark - DIP SWITCH					
		CLD		LUMEN OUTPUT (tq= 25 °C)	
LED	colour	weight	code	I out	W tot
COB	aluminium	1,30	22152577-00	600	21
			22152577-39		
				K - ølm - CRI	
				4000K - 2550lm - CRI>90	
				3000K - 2422lm - CRI>90	

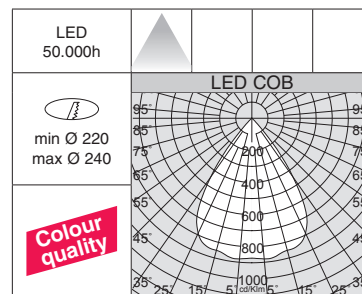
**Upon request:** version with white rim and DIMM DALI (-1241 and -3941) version.

DIP SWITCH SETTING		LUMEN OUTPUT (tq= 25 °C)	
I out	W tot	K - ølm - CRI	
600	21	4000K - 2550lm - CRI>90	
650	23	4000K - 2741lm - CRI>90	
700	25	4000K - 2920lm - CRI>90	
800	29	4000K - 3206lm - CRI>90	

DIP SWITCH SETTING		LUMEN OUTPUT (tq= 25 °C)	
I out	W tot	K - ølm - CRI	
600	21	3000K - 2422lm - CRI>90	
650	23	3000K - 2604lm - CRI>90	
700	25	3000K - 2774lm - CRI>90	
800	29	3000K - 3046lm - CRI>90	



**LED:** luminous flux maintenance 80%: 50.000h (L80B20). Power factor >0.95.



**Dark light reflector:** V2 self-extinguishing polycarbonate; metalized aluminium powder coated through a C.V.D. hard-vacuum process for greater light control and efficiency.

Office 2 Dark - DIP SWITCH					
		CLD		LUMEN OUTPUT (tq= 25 °C)	
LED	colour	weight	code	I out	W tot
COB	aluminium	1,30	22152578-00	1050	38
			22152578-39		
				K - ølm - CRI	
				4000K - 4028lm - CRI>90	
				3000K - 3827lm - CRI>90	

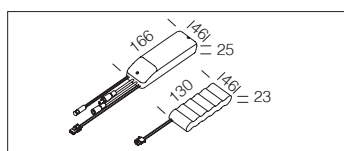
**Upon request:** version with white rim and DIMM DALI (-1241 and -3941) version.

DIP SWITCH SETTING		LUMEN OUTPUT (tq= 25 °C)	
I out	W tot	K - ølm - CRI	
850	31	4000K - 3453lm - CRI>90	
900	33	4000K - 3591lm - CRI>90	
950	35	4000K - 3748lm - CRI>90	
1050	38	4000K - 4028lm - CRI>90	

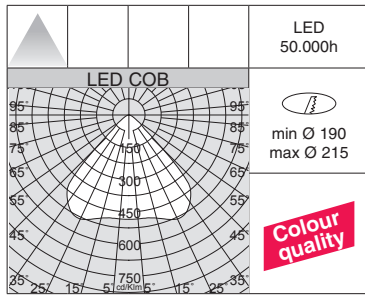
DIP SWITCH SETTING		LUMEN OUTPUT (tq= 25 °C)	
I out	W tot	K - ølm - CRI	
850	31	3000K - 3280lm - CRI>90	
900	33	3000K - 3412lm - CRI>90	
950	35	3000K - 3561lm - CRI>90	
1050	38	3000K - 3827lm - CRI>90	

EM power kit	
1h	22096035-00
3h	22096037-00

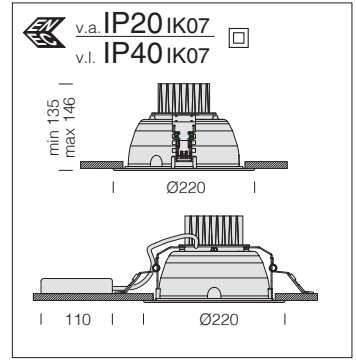
EM (emergency) lamp power kit complete with connectors.



RECESSED DOWNLIGHTS



**Reflector:** V2 self-extinguishing polycarbonate; matt aluminium powder coated through a C.V.D. hard-vacuum process for greater light control and efficiency.



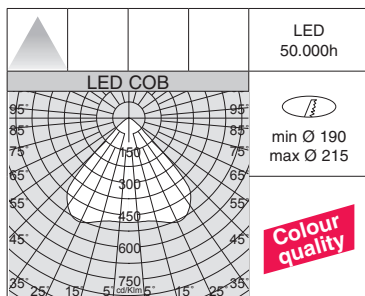
**LED:** luminous flux maintenance 80%: 50.000h (L80B20). Power factor >0.95.

Office 1 Matt - DIP SWITCH						
		CLD		LUMEN OUTPUT (tq= 25 °C)		
LED	colour	weight	code	I out	W tot	K - ølm - CRI
COB	matt	1,10	22152470-00	550	20	4000K - 2249lm - CRI>90
			22152470-39			3000K - 2137lm - CRI>90

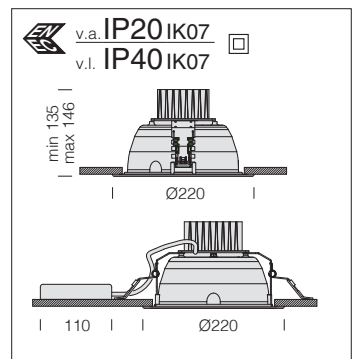
Upon request: version with white rim and DIMM DALI (-1241 and -3941) version.

DIP SWITCH SETTING						
		LUMEN OUTPUT (tq= 25 °C)				
I out	W tot	K - ølm - CRI				
350	13*	4000K - 1467lm - CRI>90				
450	17*	4000K - 1867lm - CRI>90				
550	20*	4000K - 2249lm - CRI>90				
650	24	4000K - 2618lm - CRI>90				

DIP SWITCH SETTING						
		LUMEN OUTPUT (tq= 25 °C)				
I out	W tot	K - ølm - CRI				
350	13*	3000K - 1394lm - CRI>90				
450	17*	3000K - 1774lm - CRI>90				
550	20*	3000K - 2137lm - CRI>90				
650	24	3000K - 2487lm - CRI>90				



**Reflector:** V2 self-extinguishing polycarbonate; matt aluminium powder coated through a C.V.D. hard-vacuum process for greater light control and efficiency.



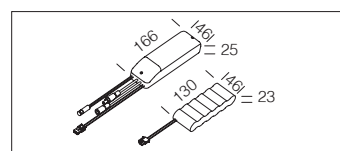
**LED:** luminous flux maintenance 80%: 50.000h (L80B20). Power factor >0.95.

Office 1 Matt - DIP SWITCH						
		CLD		LUMEN OUTPUT (tq= 25 °C)		
LED	colour	weight	code	I out	W tot	K - ølm - CRI
COB	matt	1,10	22152471-00	1050	39	4000K - 3973lm - CRI>90
			22152471-39			3000K - 3774lm - CRI>90

Upon request: version with white rim and DIMM DALI (-1241 and -3941) version.

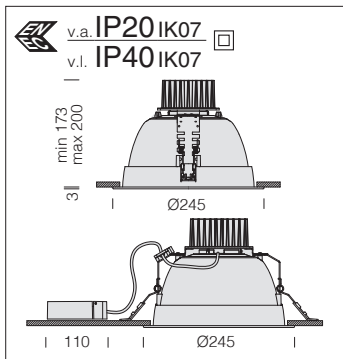
DIP SWITCH SETTING						
		LUMEN OUTPUT (tq= 25 °C)				
I out	W tot	K - ølm - CRI				
850	31	4000K - 3306lm - CRI>90				
950	35	4000K - 3652lm - CRI>90				
1050	39	4000K - 3973lm - CRI>90				

DIP SWITCH SETTING						
		LUMEN OUTPUT (tq= 25 °C)				
I out	W tot	K - ølm - CRI				
850	31	3000K - 3141lm - CRI>90				
950	35	3000K - 3469lm - CRI>90				
1050	39	3000K - 3774lm - CRI>90				

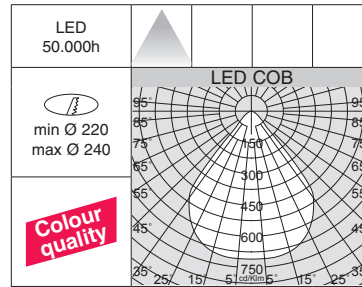


EM power kit	
1h	22096035-00
3h	22096037-00

EM (emergency) lamp power kit complete with connectors.



**LED:** luminous flux maintenance 80%: 50.000h (L80B20). Power factor >0.95.

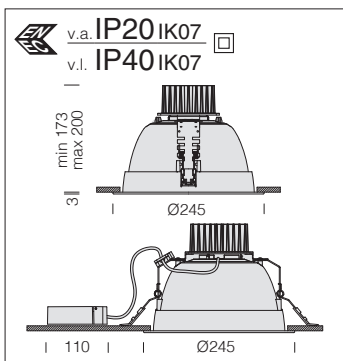


**Reflector:** V2 self-extinguishing polycarbonate; matt aluminium powder coated through a C.V.D. hard-vacuum process for greater light control and efficiency.

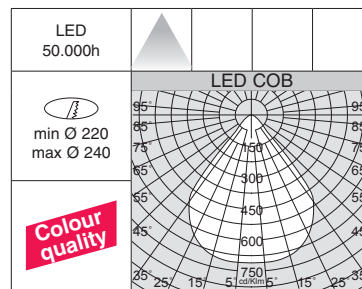
Office 2 Matt - DIP SWITCH					
CLD			LUMEN OUTPUT (tq= 25 °C)		
LED	colour	weight	code	I out	W tot
COB	matt	1,30	22152870-00	800	29
			22152870-39		
<b>Upon request:</b> version with white rim and DIMM DALI (-1241 and -3941) version.					

DIP SWITCH SETTING		
LUMEN OUTPUT (tq= 25 °C)		
I out	W tot	K - ølm - CRI
600	21	4000K - 2475lm - CRI>90
650	23	4000K - 2652lm - CRI>90
700	25	4000K - 2825lm - CRI>90
800	29	4000K - 3179lm - CRI>90

DIP SWITCH SETTING		
LUMEN OUTPUT (tq= 25 °C)		
I out	W tot	K - ølm - CRI
600	21	3000K - 2351lm - CRI>90
650	23	3000K - 2519lm - CRI>90
700	25	3000K - 2684lm - CRI>90
800	29	3000K - 3020lm - CRI>90



**LED:** luminous flux maintenance 80%: 50.000h (L80B20). Power factor >0.95.



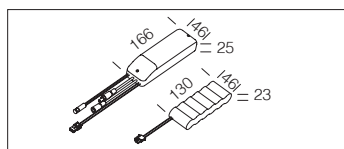
**Reflector:** V2 self-extinguishing polycarbonate; matt aluminium powder coated through a C.V.D. hard-vacuum process for greater light control and efficiency.

Office 2 Matt - DIP SWITCH					
CLD			LUMEN OUTPUT (tq= 25 °C)		
LED	colour	weight	code	I out	W tot
COB	matt	1,30	22152871-00	1050	38
			22152871-39		
<b>Upon request:</b> version with white rim and DIMM DALI (-1241 and -3941) version.					

DIP SWITCH SETTING		
LUMEN OUTPUT (tq= 25 °C)		
I out	W tot	K - ølm - CRI
850	31	4000K - 3349lm - CRI>90
900	32	4000K - 3521lm - CRI>90
950	35	4000K - 3685lm - CRI>90
1050	38	4000K - 4008lm - CRI>90

DIP SWITCH SETTING		
LUMEN OUTPUT (tq= 25 °C)		
I out	W tot	K - ølm - CRI
850	31	3000K - 3182lm - CRI>90
900	32	3000K - 3345lm - CRI>90
950	35	3000K - 3501lm - CRI>90
1050	38	3000K - 3808lm - CRI>90

EM power kit	
1h	22096035-00
3h	22096037-00
EM (emergency) lamp power kit complete with connectors.	

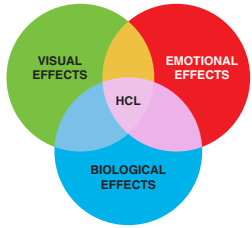


RECESSED DOWNLIGHTS

new

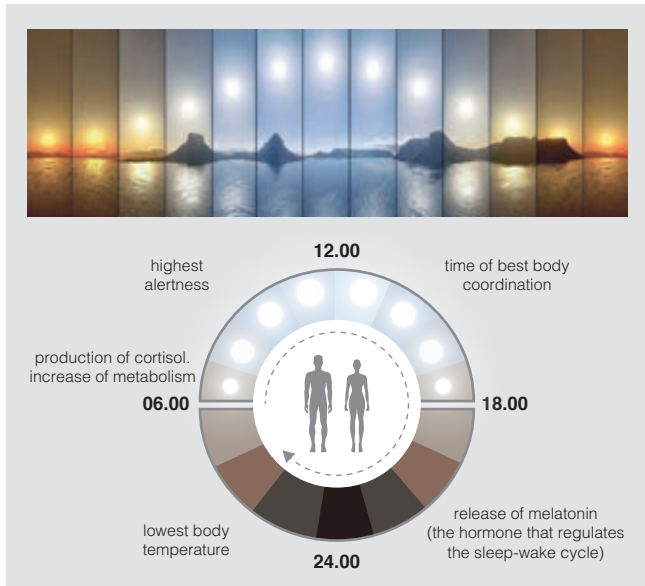
**What is Human Centric Lighting and how can we achieve it?**

**Human Centric Lighting (HCL)** is a concept that represents a deep cultural change that aims to achieve a healthier and more balanced relationship with the spaces we live in. It follows criteria that show the beneficial and positive effects of natural and artificial lighting on our health, wellbeing, quality of life and daily activities in both the long and short terms.



Our modern lifestyle is not aligned with nature’s rhythms. We spend most of our time indoors where artificial lighting has virtually abolished the difference between day and night. Over the last decades, however, scientific research has made it clear that light isn’t just for seeing, but also for governing how our body works from both the biological and psychological points of view.

And this is precisely the basic goal of Human Centric Lighting: **to design lights that don’t take into account only of the visual effects, but also of the biological and emotional impact on humans.**



**The biologic clock (circadian rhythm)**

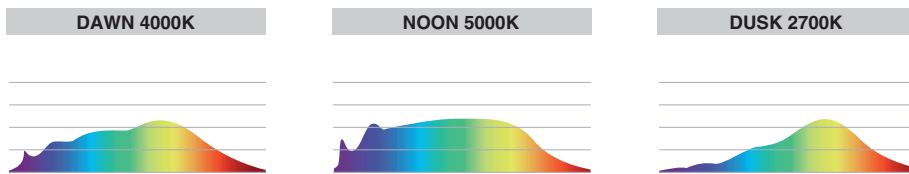
We use the definition of “**biological clock**” because, over the course of the day, the variations of light, from dawn to dusk, up to the dark of the night, send precise signals to our body, triggering specific psychological responses. **Blood pressure, body temperature** and the production of **specific hormones** vary over the course of 24 hours.

When we wake up, the morning light triggers processes that stimulate attention span, which reaches its peak during the central hours of the day, to then decline with the arrival of the evening in order to prepare our body for night-time rest. This mechanism, which varies according to seasons and individual characteristics, is necessary for our body to work properly.

**A systematic disruption of our biological clock is harmful for our health**

Numerous studies prove that the disruption of our sleep-wake cycle provokes **fatigue and sleeping disorders**, it has a negative impact on mood and on our psychological wellbeing, it can cause **anxiety or depression**, as well as **gastro-intestinal disorders** and, if prolonged over time, it increases the risk of **cardio-vascular diseases** (strokes and heart attacks) and **metabolic disorders** (such as obesity and diabetes). Lastly, it can weaken the immune system favouring the outburst of some cancers.

Therefore, according to research, it is important that **our body** receives the signals from **natural light** and its evolution **throughout the day**. Natural light has a different light spectrum with different wavelengths based on the time of the day:

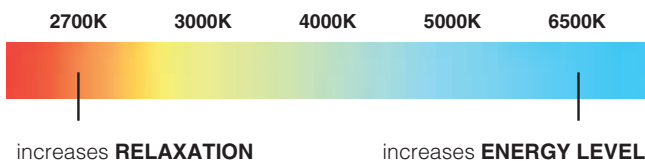


LED sources generally emit light in the blue wavelength spectrum, which is potentially harmful for our eyes and our health because they can influence the production of melatonin that may in turn impact our biological clock and alter our sleep-wake cycle.

Using lighting sources like **LED Tunable White** that can mimic the quality of natural light is key.

**LED Tunable White for HCL applications**

It is a latest generation LED technology that allows adjusting colour temperatures from 2700K to 6500K, from a warm light to a cold light. LED Tunable White modules for HCL applications contain two adjacent diodes that emit light at 2700K and 6500K, as well as intermediate colours by mixing colour temperatures.



Researchers have demonstrated that our brain is stimulated:  
 - by the **warm light** of morning and evening hours (2700K) increasing our sense of relaxation;  
 - by the **cold light** of daylight (6500 K) making us feel more energetic and concentrated.

This concept offers excellent visual and working conditions, but above all, it focuses on our **circadian rhythm**, which governs our biological clock. Our biorhythms depend on the signals deriving from the **amount and quality of natural light** and from the environmental **colour temperature**. In this way, Tunable White creates an environment capable of helping us in a natural way, just like daylight would do.





Colour temperatures are controlled precisely and with infinite variability, while the drivers reliably maintain the selected range across all dimming levels. The **colourSWITCH function** makes it possible to select the colour temperature, while the light can be dimmed with the **switchDIM function**.

#### colourSWITCH function

A conventional pushbutton can be used to control the system via colourSWITCH. Use of pushbutton with indicator lamp is not permitted. If the device is controlled via DALI/DSI, colourSWITCH is not available. For control via a pushbutton different settings can be made:

- Short press: setting the colour temperature via colourSWITCH mode with 9 values between 2,700 and 6,500 K.
- Long press (> 1 s): stepless setting of colour temperature.

After completion the colour temperature direction will be inverted.

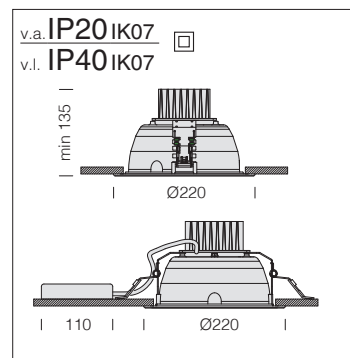
- These values can be changed via masterCONFIGURATOR.
- Alternatively the colour temperature could be changed via DALI device type 8 control system.

In installations with LED Drivers with different colour temperature or opposite colour temperature directions (e.g. after a system extension), all LED Drivers can be synchronized to 4,500 K by a 10 s push.

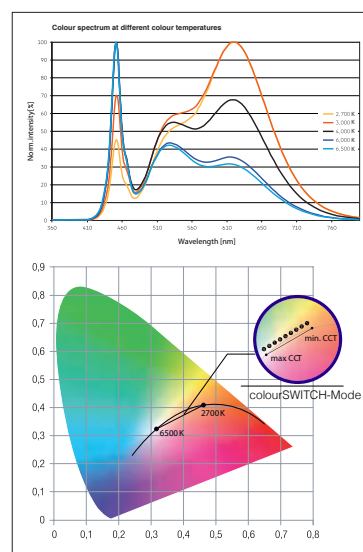
#### switchDIM function

Integrated switchDIM function allows a direct connection of a pushbutton for dimming and switching. Brief push (< 0.6 s) switches LED Driver ON and OFF. The dim level is saved at power-down and restored at power-up. When the pushbutton is held, LED modules are dimmed. After releasing and pushing the LED modules are dimmed in the opposite direction.

In installations with LED Drivers with different dimming levels or opposite dimming directions (e.g. after a system extension), all LED Drivers can be synchronized to 50 % dimming level by a 10 s push. Use of pushbutton with indicator lamp is not permitted.



**TUNABLE  
WHITE**



#### FUNCTIONS:

- Constant light output function (CLO)
- switchDIM and colourSWITCH with memory function;
- colourSWITCH with 9 predefined colours;
- Configurable via DALI;

Office 1 - DARK - TUNABLE WHITE					
		CLD D-DIG (DALI)		LUMEN OUTPUT (tq= 25 °C)	
LED	colour	weight	code	W tot	K - ølm - CRI - degrees
COB	aluminium	1,10	22152378-00	31	2700K±6500K - 3000lm - CRI>90
Tunable White system for downlights with adjustable colour temperature from 2,700 to 6,500 K at constant luminous flux. Ideal for retail, public spaces (hotels and restaurants), corridors, stairs, applications.					



Adequate lighting ensures proper perception of the environment and enables us to feel comfortable with our surroundings. This is the concept underlying the creation of the Milano recessed floodlight, ideal for quick, low-cost installation in any exhibition setting and fulfil interior decorators' artificial lighting requirements.

**Upon request:** version with CASAMBI automation lighting control system (fixtures **to be installed in NON-METALLIC false ceilings/panels**). For further information see chapter *Technical components*.



The right lighting and fixture play a vital role in facilitating sales. This is the reason why LED fixtures with a **CRI>90** are being requested. Therefore, the current trend is geared towards the manufacturing of more flexible fixtures, which also emit an excellent quality of light, while guaranteeing remarkable energy savings and lower maintenance costs.

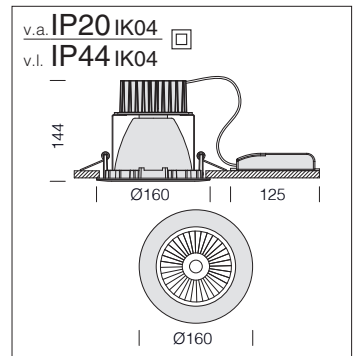
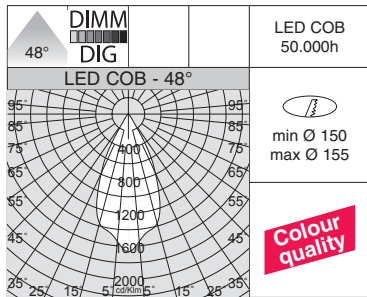
The Colour Rendering Index (**CRI**) indicates how truthfully the artificial light source is able to reproduce the colours of objects. It varies from a range of **0 to 100**, where **0 represents the minimum** and **100 is the maximum**. Daylight is the best source of light from a physiological point of view because it contains the full colour spectrum. Therefore, a lamp with a high colour rendering index is very important to ensure the wellbeing and comfort of the occupants of a room and it is absolutely necessary in rooms where good visibility is required.



Classification of UGR values by applications		
<b>UGR</b>	≤ 16	Very demanding applications (technical drawings)
	≤ 19	Offices and schools (reading, writing, business meetings, computer work)
	≤ 22	Industrial applications, craftsmen
	> 28	High glare

The UGR (unified glare rating) is an international unified measure developed by the CIE (Commission International de l'Eclairage) to assess the direct glare generated by a lighting system. The European standard regulating the lighting of indoor work places (UNI-EN 12464-1) recommends a specific UGR value for different applications ranging between **10 and 30; the lower the UGR value, the lower the glare**. The exact value of this index differs by project type because it depends on the position of the luminaires, room characteristics (dimensions, reflections) and on the point of observation of viewers.

project type because it depends on the position of the luminaires, room characteristics (dimensions, reflections) and on the point of observation of viewers.



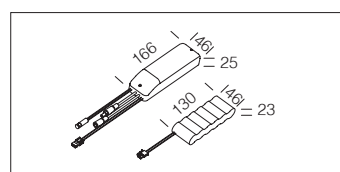
**Housing:** made in aluminium with spring clips for recessed mounting. Optical compartment with transparent tempered glass.

**Reflector:** metallized aluminium.

**LED:** luminous flux maintenance 80%: 50.000h (L80B20). Power factor >0,95.

Milano small - UGR<16						
		CLD		CLD D-DIG (DALI)		LUMEN OUTPUT (tq= 25 °C)
LED	colour	weight	code	code	W tot	K - ølm - CRI - degrees
COB	white	1,00	22083519-00	22083519-1241	25	4000K - 2845lm - CRI>90 - 48°
	m. silver		22083579-00	22083579-1241		
COB	white	1,00	22083518-00	22083518-1241	25	3000K - 2702lm - CRI>90 - 48°
	m. silver		22083578-00	22083578-1241		

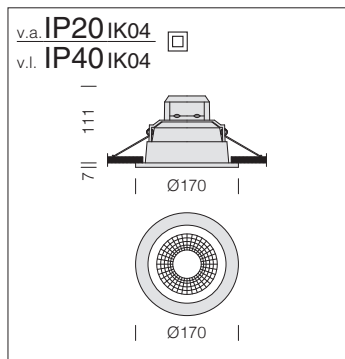
Upon request: 15 W tot - 3000K - 1272lm - CRI>90 - 44° version available.



EM power kit	
1h	22096035-00
3h	22096037-00

EM (emergency) lamp power kit complete with connectors.

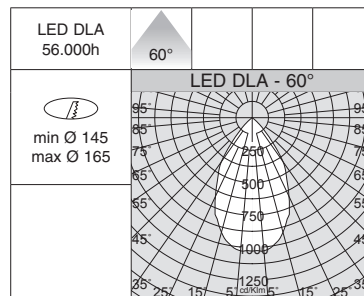




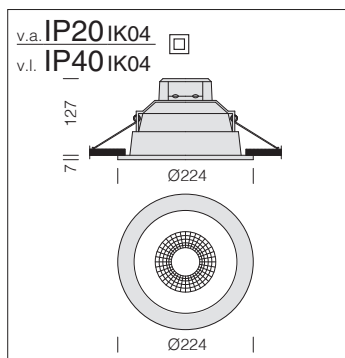
**Housing:** made in aluminium with spring clips for recessed mounting.

**60° Reflector:** metallized and prismatic aluminium.

**LED:** luminous flux maintenance 70%: 56.000h (L70B50).  
Power factor >0,95.



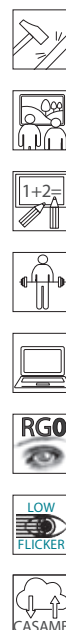
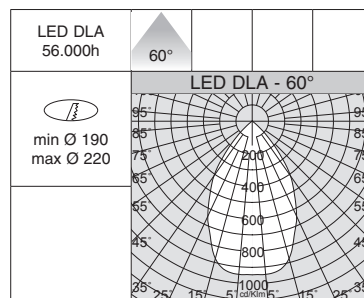
Milano small - UGR<19					
LED	colour	weight	CLD code	W tot	LUMEN OUTPUT (tq= 25 °C) K - ølm - CRI - degrees
DLA	white	0,40	22083119-00	20	4000K - 2210lm - CRI>80 - 60°
			22083118-00		3000K - 2130lm - CRI>80 - 60°



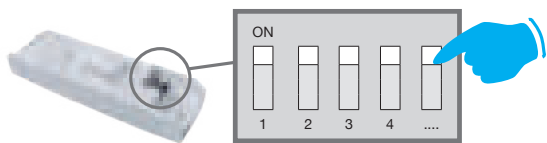
**Housing:** made in aluminium with spring clips for recessed mounting.

**60° Reflector:** metallized and prismatic aluminium.

**LED:** luminous flux maintenance 70%: 56.000h (L70B50).  
Power factor >0,95.



Milano big - UGR<19					
LED	colour	weight	CLD code	W tot	LUMEN OUTPUT (tq= 25 °C) K - ølm - CRI - degrees
DLA	white	0,55	22083017-00	20	4000K - 2250lm - CRI>80 - 60°
			22083016-00		3000K - 2200lm - CRI>80 - 60°



## ADAPT THE CURRENT TO ACHIEVE OPTIMAL LUMINOUS FLUX

**DIP SWITCH SETTING:** the fixture comes with a *DIP SWITCH* driver for **THE SETTING OF THE OUTPUT CURRENT**. In this way you, can **ENSURE THE BEST LUMINOUS FLUX** for any lighting design.

The possibility to choose the correct drive current for LEDs will allow you to have the right power under specific design conditions. Using a lower current will improve the efficiency of fixtures and therefore increase energy savings, whilst a higher current will result in a higher light flux so that you can reduce the number of fixtures.



**Housing:** made in steel.

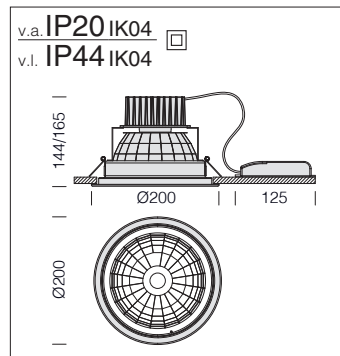
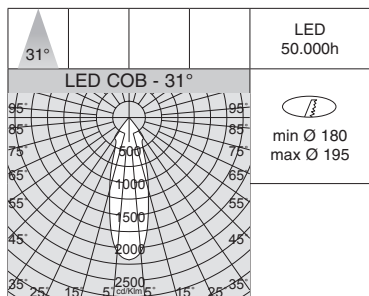
**Reflector FS:** metallized, oxidised and polished aluminium.

**Reflector FM:** metallized aluminium.

**Reflector FL:** oxidised and polished aluminium.

**Standard supply:** includes adjustable steel bracket.

**LED:** luminous flux maintenance 80%: 50.000h (L80B20). Power factor >0,95.

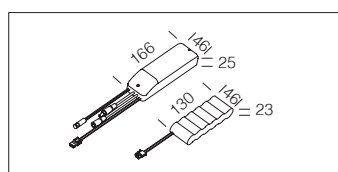


Milano FS - DIP SWITCH - narrow beam						
LED	colour	weight	CLD		LUMEN OUTPUT (tq= 25 °C)	
			code	I out	W tot	K - ølm - CRI - degrees
COB	white+met.	1,20	22081366-00	600	22	4000K - 3090lm - CRI>80 - 31°
			22081361-00			3000K - 2935lm - CRI>80 - 31°

Upon request: available DIMM-DALI version (-1241).

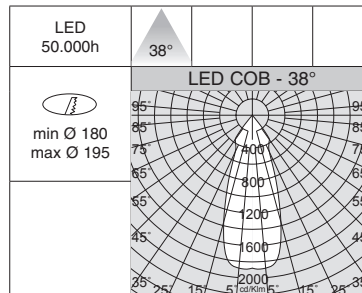
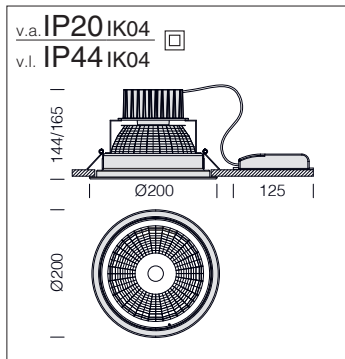
DIP SWITCH SETTING						
LUMEN OUTPUT (tq= 25 °C)						
I out	W tot	K - ølm - CRI - degrees				
600	22	4000K - 3090lm - CRI>80 - 31°				
650	24	4000K - 3289lm - CRI>80 - 31°				
700	25	4000K - 3503lm - CRI>80 - 31°				
800	29	4000K - 3942lm - CRI>80 - 31°				

DIP SWITCH SETTING						
LUMEN OUTPUT (tq= 25 °C)						
I out	W tot	K - ølm - CRI - degrees				
600	22	3000K - 2935lm - CRI>80 - 31°				
650	24	3000K - 3125lm - CRI>80 - 31°				
700	25	3000K - 3328lm - CRI>80 - 31°				
800	29	3000K - 3745lm - CRI>80 - 31°				



EM power kit	
1h	22096035-00
3h	22096037-00

EM (emergency) lamp power kit complete with connectors.



Milano FM - DIP SWITCH - medium beam					
LED	colour	weight	code	I out	W tot
COB	white+matt	1,20	22081372-00	600	22
			22081371-00		

Upon request: available DIMM-DALI version (-1241).

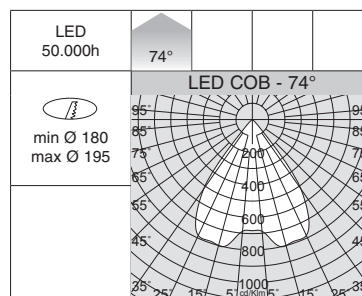
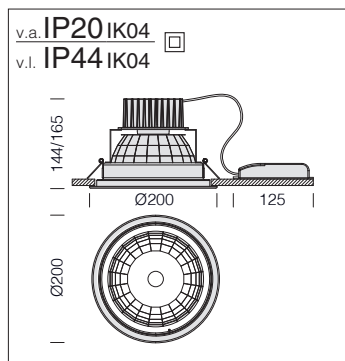
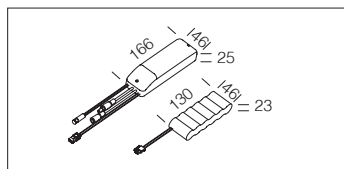
DIP SWITCH SETTING		LUMEN OUTPUT (tq= 25 °C)	
I out	W tot	K - ølm - CRI - degrees	
600	22	4000K - 2755lm - CRI>80 - 38°	
650	24	4000K - 2932lm - CRI>80 - 38°	
700	25	4000K - 3123lm - CRI>80 - 38°	
800	29	4000K - 3524lm - CRI>80 - 38°	

DIP SWITCH SETTING		LUMEN OUTPUT (tq= 25 °C)	
I out	W tot	K - ølm - CRI - degrees	
600	22	3000K - 2617lm - CRI>80 - 38°	
650	24	3000K - 2785lm - CRI>80 - 38°	
700	25	3000K - 2967lm - CRI>80 - 38°	
800	29	3000K - 3348lm - CRI>80 - 38°	

EM power kit	
1h	22096035-00
3h	22096037-00

EM (emergency) lamp power kit complete with connectors.



Milano FL - DIP SWITCH - wide beam					
LED	colour	weight	code	I out	W tot
COB	white+matt	1,20	22081364-00	600	22
			22081363-00		

Upon request: available DIMM-DALI version (-1241).

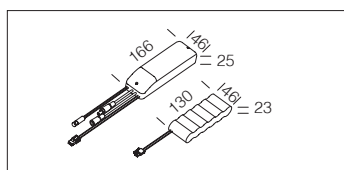
DIP SWITCH SETTING		LUMEN OUTPUT (tq= 25 °C)	
I out	W tot	K - ølm - CRI - degrees	
600	22	4000K - 3129lm - CRI>80 - 74°	
650	24	4000K - 3329lm - CRI>80 - 74°	
700	25	4000K - 3545lm - CRI>80 - 74°	
800	29	4000K - 3989lm - CRI>80 - 74°	

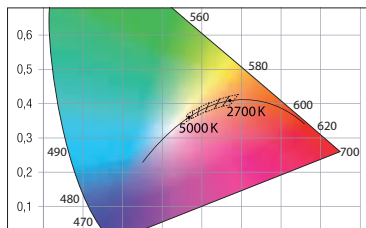
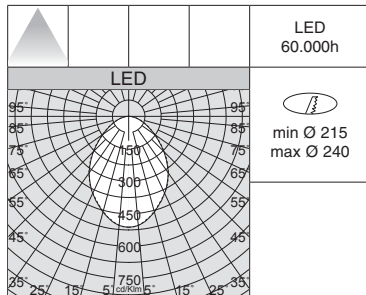
  

DIP SWITCH SETTING		LUMEN OUTPUT (tq= 25 °C)	
I out	W tot	K - ølm - CRI - degrees	
600	22	3000K - 2972lm - CRI>80 - 74°	
650	24	3000K - 3163lm - CRI>80 - 74°	
700	25	3000K - 3368lm - CRI>80 - 74°	
800	29	3000K - 3790lm - CRI>80 - 74°	

EM power kit	
1h	22096035-00
3h	22096037-00

EM (emergency) lamp power kit complete with connectors.

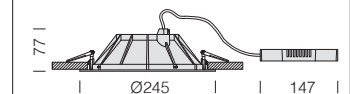




**CRI>90**  
**2700K-5000K**



v.a. **IP20 IK07**   
v.l. **IP44 IK07**



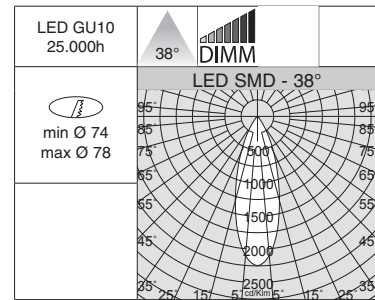
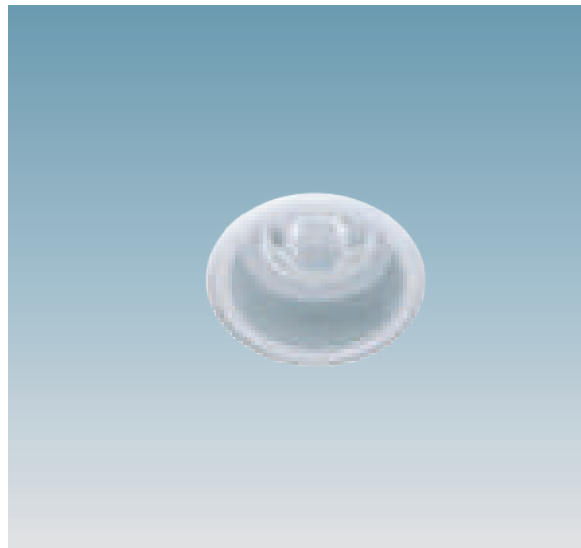
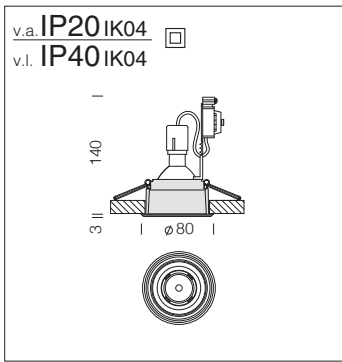
**Housing:** in die-cast aluminium equipped with adjustable steel bracket.

**Inner slab:** in PMMA.

**LED:** luminous flux maintenance 90%: 60.000h (L90B10).  
Power factor >0.9.

Milano Multicolor						
LED	colour	weight	CLD		LUMEN OUTPUT (tq= 25 °C)	
			code	W tot	K - ølm - CRI	
LED	white	1,00	22082319-36	21	2700K - 2091lm - <b>CRI&gt;90</b>	
			22082319-39		3000K - 2210lm - <b>CRI&gt;90</b>	
			22082319-00		4000K - 2379lm - <b>CRI&gt;90</b>	
			22082319-0034		5000K - 2404lm - <b>CRI&gt;90</b>	
LED	white	1,00	22082419-36	23	2700K - 2261lm - <b>CRI&gt;90</b>	
			22082419-39		3000K - 2474lm - <b>CRI&gt;90</b>	
			22082419-00		4000K - 2664lm - <b>CRI&gt;90</b>	
			22082419-0034		5000K - 2690lm - <b>CRI&gt;90</b>	
LED	white	1,00	22082519-36	25	2700K - 2501lm - <b>CRI&gt;90</b>	
			22082519-39		3000K - 2642lm - <b>CRI&gt;90</b>	
			22082519-00		4000K - 2844lm - <b>CRI&gt;90</b>	
			22082519-0034		5000K - 2873lm - <b>CRI&gt;90</b>	

The shield consists of a laser-cut slab that serves as a lens for its effect of concentric circles. These decorations create a pattern with variable distances; the closer they get to the centre, the closer they come together, thereby achieving excellent visual comfort without glare.



ideal for transit areas

**Housing:** Vandal-resistant, V2 self-extinguishing, UV-stabilized, anti-yellowing polycarbonate.

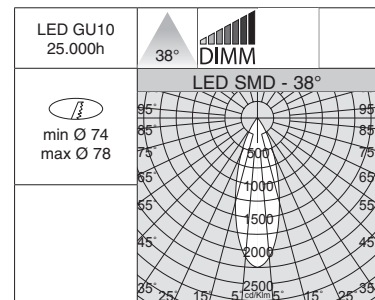
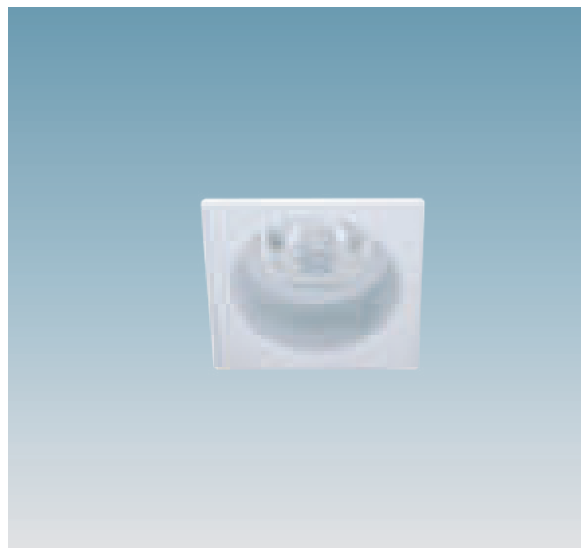
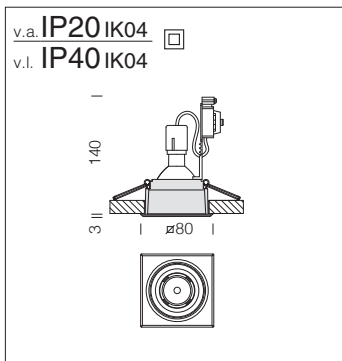
**LED:** luminous flux maintenance L70B50: 25.000h.

RECESSED DOWNLIGHTS

**Milano Small T - Home**

LED	colour	weight	CLD	CLD-D (IGBT)	W tot	LUMEN OUTPUT (tq= 25 °C)	
			code	code		K - ølm - CRI - degrees	
SMD	white	0,25		22083113-00	6,5	3000K - 500lm - CRI 80 - 38°	
	chrome			22083163-00			
	matt			22083173-00			
SMD	white	0,25	22083114-68		9	4000K - 700lm - CRI 80 - 38°	
	chrome						22083164-68
	matt						22083174-68
SMD	white	0,25	22083114-00		9	3000K - 700lm - CRI 80 - 38°	
	chrome						22083164-00
	matt						22083174-00

Dimmable CLD-D version phase cutting IGBT dimming.



ideal for transit areas

**Housing:** Vandal-resistant, V2 self-extinguishing, UV-stabilized, anti-yellowing polycarbonate.

**LED:** luminous flux maintenance L70B50: 25.000h.

**Milano Small Q - Home**

LED	colour	weight	CLD	CLD-D (IGBT)	W tot	LUMEN OUTPUT (tq= 25 °C)	
			code	code		K - ølm - CRI - degrees	
SMD	white	0,25		22083213-00	6,5	3000K - 500lm - CRI 80 - 38°	
	chrome			22083263-00			
	matt			22083273-00			
SMD	white	0,25	22083214-68		9	4000K - 700lm - CRI 80 - 38°	
	chrome						22083264-68
	matt						22083274-68
SMD	white	0,25	22083214-00		9	3000K - 700lm - CRI 80 - 38°	
	chrome						22083264-00
	matt						22083274-00

Dimmable CLD-D version phase cutting IGBT dimming.



Fosnova offers a wide range of recessed spotlights to meet the increasingly demanding lighting needs of hotels, shopping malls, stores and museums. The different styles and specific characteristics of each fixture allow meeting the multiple needs of any setting. This vast selection of fixtures includes the new recessed spotlight called **Jet**, with its soft and comfortable light and high degree of protection (IP65-IP44) capable of creating pleasant settings for relaxation and shopping. Its extraordinary visual comfort combines with an excellent colour rendering (CRI90).

**Upon request:** version with CASAMBI automation lighting control system (fixtures **to be installed in NON-METALLIC false ceilings/panels**).  
For further information see chapter *Technical components*.



The right lighting and fixture play a vital role in facilitating sales. This is the reason why LED fixtures with a **CRI>90** are being requested. Therefore, the current trend is geared towards the manufacturing of more flexible fixtures, which also emit an excellent quality of light, while guaranteeing remarkable energy savings and lower maintenance costs.

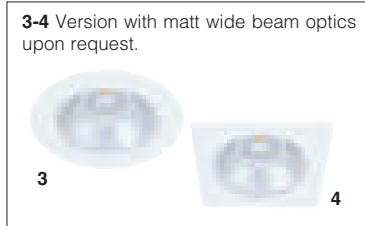
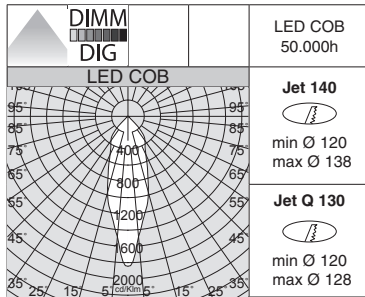
The Colour Rendering Index (**CRI**) indicates how truthfully the artificial light source is able to reproduce the colours of objects. It varies from a range of **0 to 100**, where **0 represents the minimum** and **100 is the maximum**. Daylight is the best source of light from a physiological point of view because it contains the full colour spectrum. Therefore, a lamp with a high colour rendering index is very important to ensure the wellbeing and comfort of the occupants of a room and it is absolutely necessary in rooms where good visibility is required.



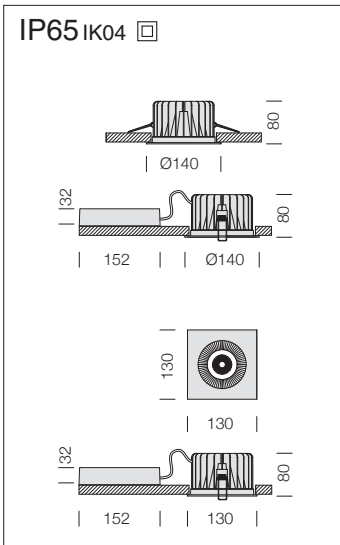
**Housing:** fixed downlight in die cast aluminium complete with spring clips for recessed mounting

**Reflector:** dark light optics in high gloss, anti-glare aluminium to optimise light efficiency. Version with matt wide beam optics upon request.

**LED:** high Energy Saving.  
Luminous flux maintenance 80%:  
50.000 h (L80B20).  
Power factor >0.9.  
Photobiological safety class:  
exempt group.



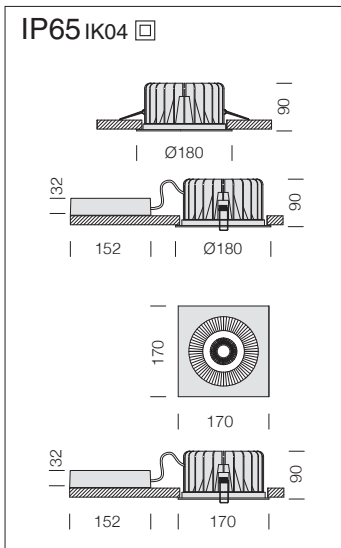
power supply  
IP65



Jet 140 - IP65 (1)						
LED	colour	weight	CLD	CLD D-DIG (DALI)	W tot	LUMEN OUTPUT (tq= 25 °C)
COB	white	0,90	code 22065612-00 22065612-39	code 22065612-1241 22065612-3941	23	K - ølm - CRI 4000K - 1892lm - CRI>90 3000K - 1797lm - CRI>90

Jet Q 130 - IP65 (2)						
LED	colour	weight	CLD	CLD D-DIG (DALI)	W tot	LUMEN OUTPUT (tq= 25 °C)
COB	white	0,90	code 22065712-00 22065712-39	code 22065712-1241 22065712-3941	23	K - ølm - CRI 4000K - 1892lm - CRI>90 3000K - 1797lm - CRI>90





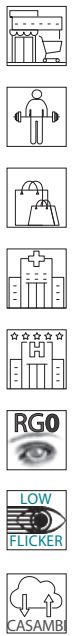
LED COB 50.000h

**DIMM**  
EM DIG

**Jet 180**  
min Ø 158  
max Ø 178

**Jet Q 170**  
min Ø 158  
max Ø 168

**3-4** Version with matt wide beam optics upon request.

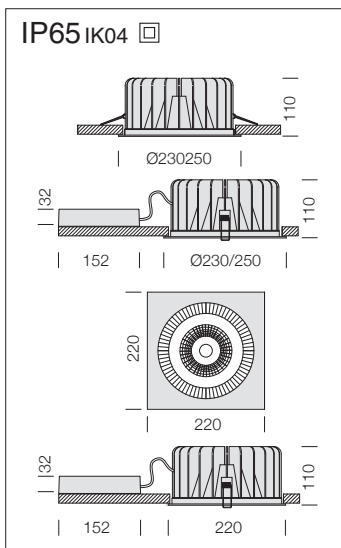


**Jet 180 - IP65 (1)**

LED	colour	weight	CLD code	CLD D-DIG (DALI) code	W tot	LUMEN OUTPUT (tq= 25 °C)
COB	white	1,45	22065613-00	22065613-1241	32	K - ølm - CRI
			22065613-39	22065613-3941		4000K - 3423lm - CRI>90
						3000K - 3251lm - CRI>90

**Jet Q 170 - IP65 (2)**

LED	colour	weight	CLD code	CLD D-DIG (DALI) code	W tot	LUMEN OUTPUT (tq= 25 °C)
COB	white	1,45	22065713-00	22065713-1241	32	K - ølm - CRI
			22065713-39	22065713-3941		4000K - 3423lm - CRI>90
						3000K - 3251lm - CRI>90



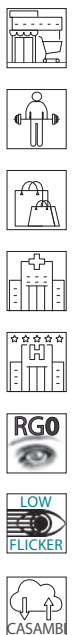
LED COB 50.000h

**DIMM**  
EM DIG

**Jet 230-250**  
min Ø 208  
max Ø 228-245

**Jet Q 220**  
min Ø 208  
max Ø 218

**3-4** Version with matt wide beam optics upon request.



**Jet 230 - IP65 (1)**

LED	colour	weight	CLD code	CLD E code	CLD D-DIG (DALI) code	W tot	LUMEN OUTPUT (tq= 25 °C)
COB	white	2,20	22065616-00	22065616-09	22065616-1241	45	K - ølm - CRI
			22065616-39	22065616-0928	22065616-3941		4000K - 5584lm - CRI>90
						3000K - 5304lm - CRI>90	

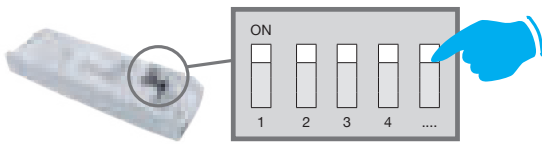
**Jet Q 220 - IP65 (2)**

LED	colour	weight	CLD code	CLD E code	CLD D-DIG (DALI) code	W tot	LUMEN OUTPUT (tq= 25 °C)
COB	white	2,20	22065716-00	22065716-09	22065716-1241	45	K - ølm - CRI
			22065716-39	22065716-0928	22065716-3941		4000K - 5584lm - CRI>90
						3000K - 5304lm - CRI>90	

**Jet 250 - IP65**

LED	colour	weight	CLD code	CLD E code	CLD D-DIG (DALI) code	W tot	LUMEN OUTPUT (tq= 25 °C)
COB	white	2,25	22065618-00	22065618-09	22065618-1241	45	K - ølm - CRI
			22065618-39	22065618-0928	22065618-3941		4000K - 5584lm - CRI>90
						3000K - 5304lm - CRI>90	

Equipped with ring; can act as both an aesthetic finishing and to cover fitting holes with diameters up to 245mm.



## ADAPT THE CURRENT TO ACHIEVE OPTIMAL LUMINOUS FLUX

**DIP SWITCH SETTING:** the fixture comes with a *DIP SWITCH* driver for **THE SETTING OF THE OUTPUT CURRENT**. In this way you, can **ENSURE THE BEST LUMINOUS FLUX** for any lighting design.

The possibility to choose the correct drive current for LEDs will allow you to have the right power under specific design conditions. Using a lower current will improve the efficiency of fixtures and therefore increase energy savings, whilst a higher current will result in a higher light flux so that you can reduce the number of fixtures.



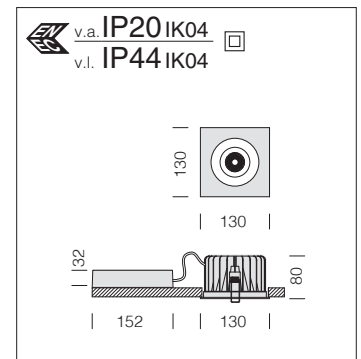
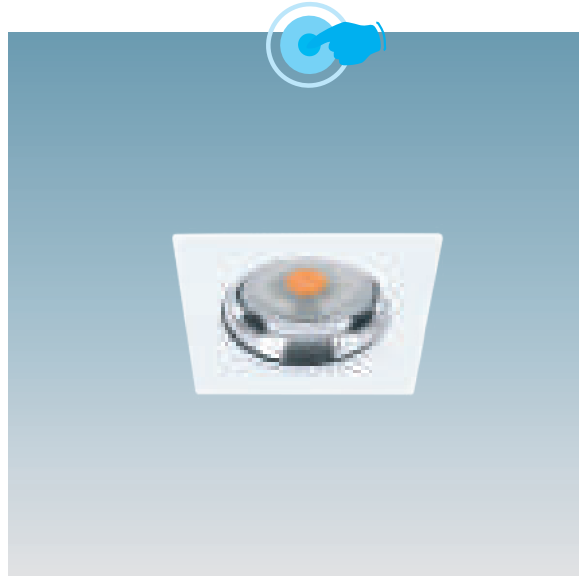
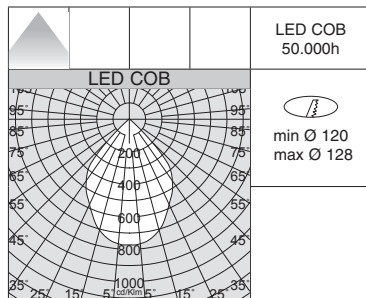
**Housing:** fixed downlight in die cast aluminium complete with spring clips for recessed mounting

**Reflector:** dark light optics in high gloss, anti-glare aluminium to optimise light efficiency.

**Lens:** in polycarbonate with high efficiency output and very low glare rate

**LED:** high Energy Saving.  
Luminous flux maintenance 80%: 50.000h (L80B20).  
Power factor >0.9.

- 
- 
- 
- 
- 
- 
- 

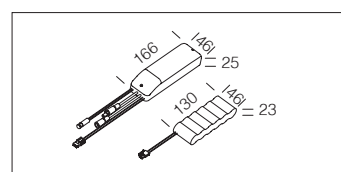


Jet Q 130 - IP44 - DIP SWITCH						
			CLD	LUMEN OUTPUT (tq= 25 °C)		
LED	colour	weight	code	I out	W tot	K - ølm - CRI
COB	white	0,90	22065710-00	600	22	4000K - 2942lm - CRI>80
			22065710-39			3000K - 2795lm - CRI>80

Upon request: available DIMM DALI (-1241 and -3941) version.

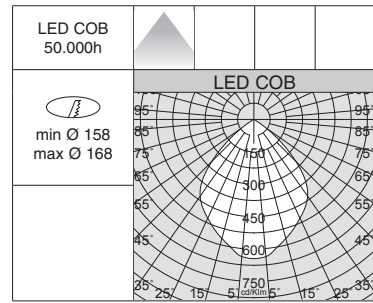
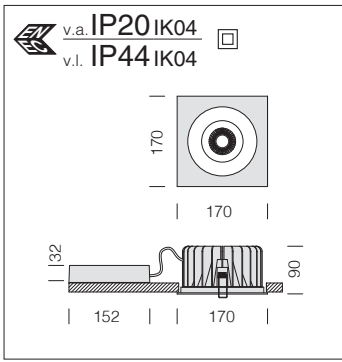
DIP SWITCH SETTING		
LUMEN OUTPUT (tq= 25 °C)		
I out	W tot	K - ølm - CRI
350	13	4000K - 1807lm - CRI>80
450	16	4000K - 2271lm - CRI>80
500	18	4000K - 2494lm - CRI>80
600	22	4000K - 2942lm - CRI>80

DIP SWITCH SETTING		
LUMEN OUTPUT (tq= 25 °C)		
I out	W tot	K - ølm - CRI
350	13	3000K - 1717lm - CRI>80
450	16	3000K - 2157lm - CRI>80
500	18	3000K - 2369lm - CRI>80
600	22	3000K - 2795lm - CRI>80



EM power kit	
1h	22096015-00
3h	22096033-00

EM (emergency) lamp power kit complete with connectors.



Jet Q 170 - IP44 - DIP SWITCH						
LED	colour	weight	CLD code	I out	W tot	LUMEN OUTPUT (tq= 25 °C) K - ølm - CRI
COB	white	1,45	22065714-00	1050	38	4000K - 5099lm - CRI>80
			22065714-39			3000K - 4844lm - CRI>80

Upon request: available DIMM DALI (-1241 and -3941) version.

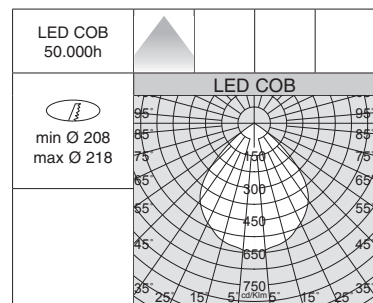
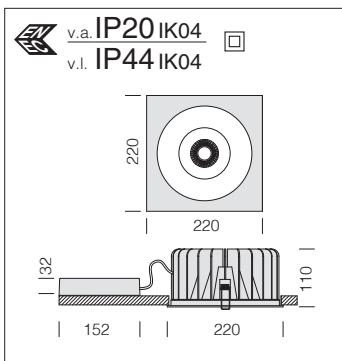
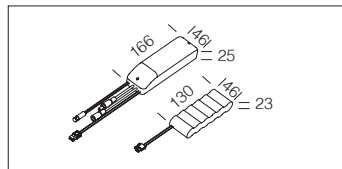
DIP SWITCH SETTING						
LUMEN OUTPUT (tq= 25 °C)						
I out	W tot	K - ølm - CRI				
850	31	4000K - 4261lm - CRI>80				
900	33	4000K - 4479lm - CRI>80				
950	35	4000K - 4887lm - CRI>80				
1050	38	4000K - 5099lm - CRI>80				

DIP SWITCH SETTING						
LUMEN OUTPUT (tq= 25 °C)						
I out	W tot	K - ølm - CRI				
850	31	3000K - 4048lm - CRI>80				
900	33	3000K - 4255lm - CRI>80				
950	35	3000K - 4643lm - CRI>80				
1050	38	3000K - 4844lm - CRI>80				

EM power kit	
1h	22096015-00
3h	22096033-00

EM (emergency) lamp power kit complete with connectors.



Jet Q 220 - IP44 - DIP SWITCH						
LED	colour	weight	CLD code	I out	W tot	LUMEN OUTPUT (tq= 25 °C) K - ølm - CRI
COB	white	2,20	22065717-00	1400	52	4000K - 6616lm - CRI>80
			22065717-39			3000K - 6285lm - CRI>80

Upon request: available DIMM DALI (-1241 and -3941) version.

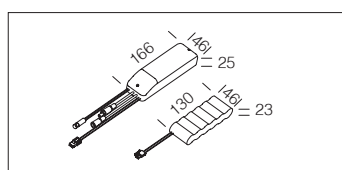
DIP SWITCH SETTING						
LUMEN OUTPUT (tq= 25 °C)						
I out	W tot	K - ølm - CRI				
1050	38	4000K - 5181lm - CRI>80				
1200	44	4000K - 5801lm - CRI>80				
1400	52	4000K - 6616lm - CRI>80				

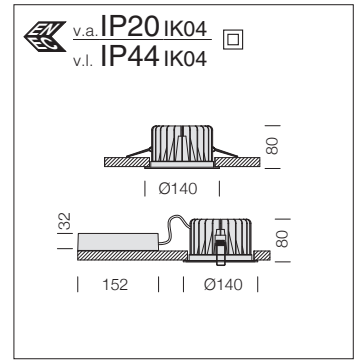
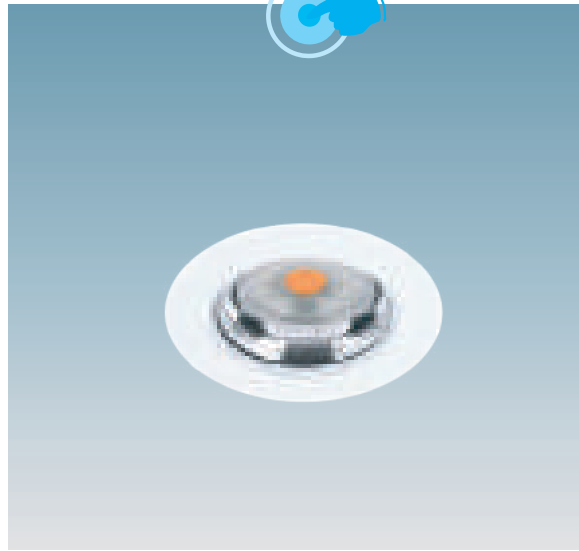
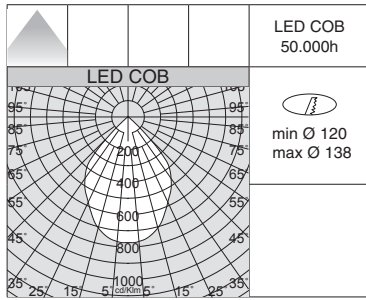
  

DIP SWITCH SETTING						
LUMEN OUTPUT (tq= 25 °C)						
I out	W tot	K - ølm - CRI				
1050	38	3000K - 4922lm - CRI>80				
1200	44	3000K - 5511lm - CRI>80				
1400	52	3000K - 6285lm - CRI>80				

EM power kit	
1h	22096015-00
3h	22096033-00

EM (emergency) lamp power kit complete with connectors.



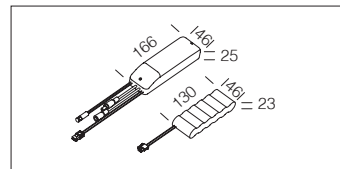


Jet 140 - IP44 - DIP SWITCH					
LED	colour	weight	CLD code	I out	W tot
COB	white	0,90	22065610-00	600	22
			22065610-39		

Upon request: available DIMM DALI (-1241 and -3941) version.

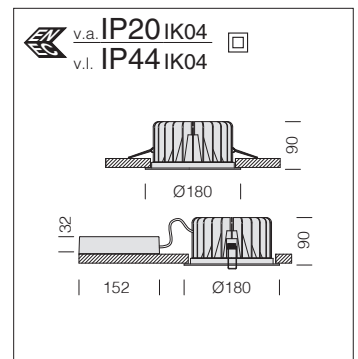
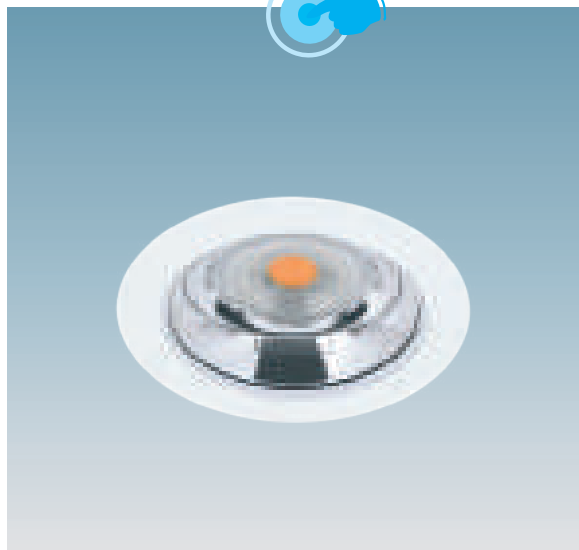
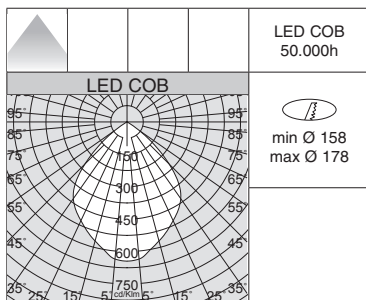
DIP SWITCH SETTING		LUMEN OUTPUT (tq= 25 °C)	
I out	W tot	K - ølm - CRI	
350	13	4000K - 1807lm - CRI>80	
450	16	4000K - 2271lm - CRI>80	
500	18	4000K - 2494lm - CRI>80	
600	22	4000K - 2942lm - CRI>80	

DIP SWITCH SETTING		LUMEN OUTPUT (tq= 25 °C)	
I out	W tot	K - ølm - CRI	
350	13	3000K - 1717lm - CRI>80	
450	16	3000K - 2157lm - CRI>80	
500	18	3000K - 2369lm - CRI>80	
600	22	3000K - 2795lm - CRI>80	



EM power kit	
1h	22096015-00
3h	22096033-00

EM (emergency) lamp power kit complete with connectors.

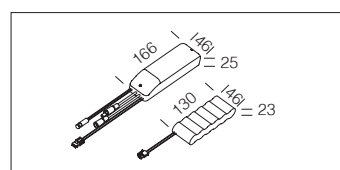


Jet 180 - IP44 - DIP SWITCH					
LED	colour	weight	CLD code	I out	W tot
COB	white	1,45	22065614-00	1050	38
			22065614-39		

Upon request: available DIMM DALI (-1241 and -3941) version.

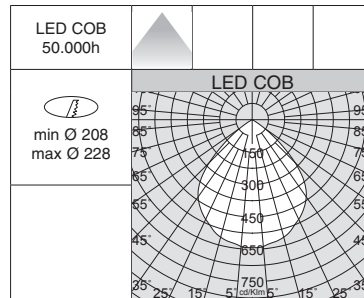
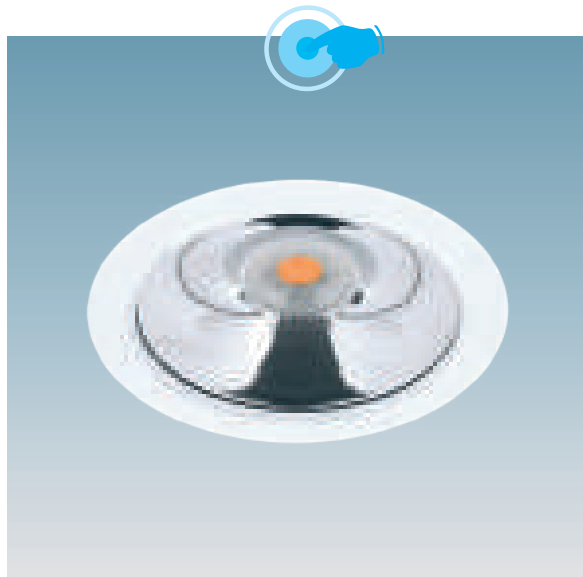
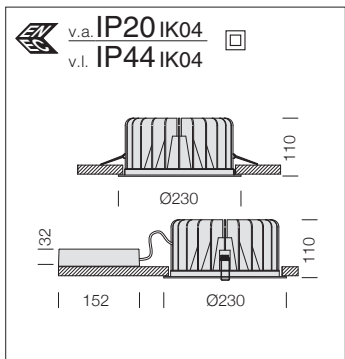
DIP SWITCH SETTING		LUMEN OUTPUT (tq= 25 °C)	
I out	W tot	K - ølm - CRI	
850	31	4000K - 4261lm - CRI>80	
900	33	4000K - 4479lm - CRI>80	
950	35	4000K - 4887lm - CRI>80	
1050	38	4000K - 5099lm - CRI>80	

DIP SWITCH SETTING		LUMEN OUTPUT (tq= 25 °C)	
I out	W tot	K - ølm - CRI	
850	31	3000K - 4048lm - CRI>80	
900	33	3000K - 4255lm - CRI>80	
950	35	3000K - 4643lm - CRI>80	
1050	38	3000K - 4844lm - CRI>80	



EM power kit	
1h	22096015-00
3h	22096033-00

EM (emergency) lamp power kit complete with connectors.



Jet 230 - IP44 - DIP SWITCH						
LED	colour	weight	CLD code	I out	W tot	LUMEN OUTPUT (tq= 25 °C) K - ølm - CRI
COB	white	2,20	22065617-00	1400	52	4000K - 6616lm - CRI>80
			22065617-39			3000K - 6285lm - CRI>80

Upon request: available DIMM DALI (-1241 and -3941) version.

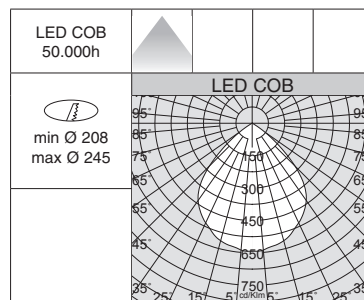
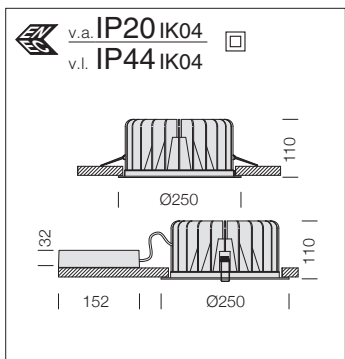
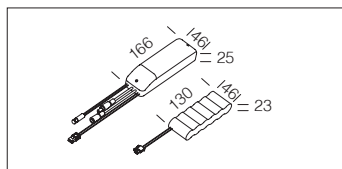
DIP SWITCH SETTING						
		LUMEN OUTPUT (tq= 25 °C)				
I out	W tot	K - ølm - CRI				
1050	38	4000K - 5181lm - CRI>80				
1200	44	4000K - 5801lm - CRI>80				
1400	52	4000K - 6616lm - CRI>80				

DIP SWITCH SETTING						
		LUMEN OUTPUT (tq= 25 °C)				
I out	W tot	K - ølm - CRI				
1050	38	3000K - 4922lm - CRI>80				
1200	44	3000K - 5511lm - CRI>80				
1400	52	3000K - 6285lm - CRI>80				

EM power kit	
1h	22096015-00
3h	22096033-00

EM (emergency) lamp power kit complete with connectors.



Jet 250 - IP44 - DIP SWITCH						
LED	colour	weight	CLD code	I out	W tot	LUMEN OUTPUT (tq= 25 °C) K - ølm - CRI
COB	white	2,25	22065615-00	1400	52	4000K - 6616lm - CRI>80
			22065615-39			3000K - 6285lm - CRI>80

Equipped with ring; can act as both an aesthetic finishing and to cover fitting holes with diameters up to 245mm.  
Upon request: available DIMM DALI (-1241 and -3941) version.

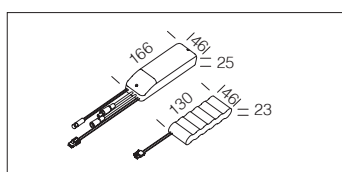
DIP SWITCH SETTING						
		LUMEN OUTPUT (tq= 25 °C)				
I out	W tot	K - ølm - CRI				
1050	38	4000K - 5181lm - CRI>80				
1200	44	4000K - 5801lm - CRI>80				
1400	52	4000K - 6616lm - CRI>80				

DIP SWITCH SETTING						
		LUMEN OUTPUT (tq= 25 °C)				
I out	W tot	K - ølm - CRI				
1050	38	3000K - 4922lm - CRI>80				
1200	44	3000K - 5511lm - CRI>80				
1400	52	3000K - 6285lm - CRI>80				

EM power kit	
1h	22096015-00
3h	22096033-00

EM (emergency) lamp power kit complete with connectors.



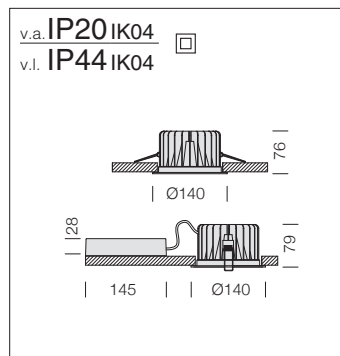
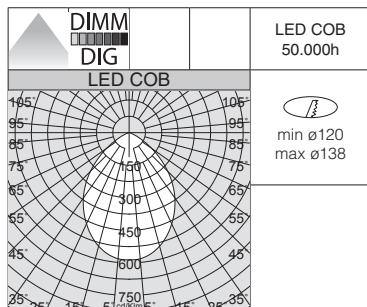


**Housing:** fixed downlight in die cast aluminium complete with spring clips for recessed mounting

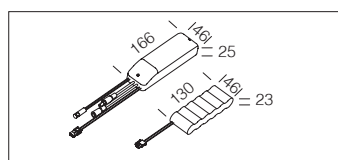
**Reflector:** in matt, anti-glare aluminium to optimise light efficiency.

**Screen:** in anti-glare matt plastic material.

**LED:** high Energy Saving. Luminous flux maintenance 80%: 50.000h (L80B20). Power factor >0.9.

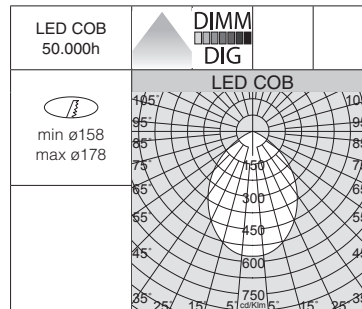
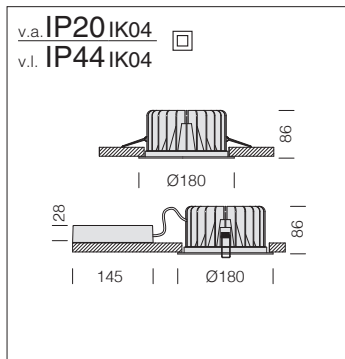


Jet 140 - IP44 - MATT						
		CLD		CLD D-DIG (DALI)		LUMEN OUTPUT (tq= 25 °C)
LED	colour	weight	code	code	W tot	K - ølm - CRI
COB	white	0,65	22065910-00	22065910-1241	23	4000K - 2079lm - CRI>80
			22065910-39	22065910-3941		3000K - 1933lm - CRI>80



EM power kit	
1h	22096015-00
3h	22096033-00

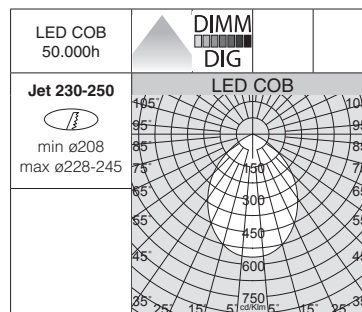
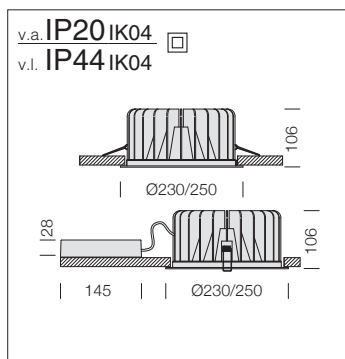
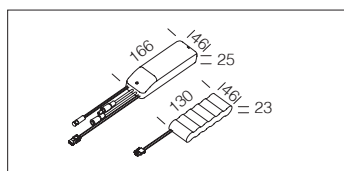
EM (emergency) lamp power kit complete with connectors.



Jet 180 - IP44 - MATT						
LED	colour	weight	CLD code	CLD D-DIG (DALI) code	W tot	LUMEN OUTPUT (tq= 25 °C) K - ølm - CRI
COB	white	1,00	22065912-00	22065912-1241	32	4000K - 3380lm - CRI>80
			22065912-39	22065912-3941		3000K - 3143lm - CRI>80

EM power kit	
1h	22096015-00
3h	22096033-00

EM (emergency) lamp power kit complete with connectors.



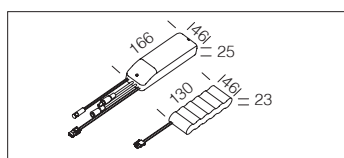
Jet 230 - IP44 - MATT						
LED	colour	weight	CLD code	CLD D-DIG (DALI) code	W tot	LUMEN OUTPUT (tq= 25 °C) K - ølm - CRI
COB	white	1,80	22065914-00	22065914-1241	46	4000K - 5225lm - CRI>80
			22065914-39	22065914-3941		3000K - 4859lm - CRI>80

Jet 250 - IP44 - MATT (2)						
LED	colour	weight	CLD code	CLD D-DIG (DALI) code	W tot	LUMEN OUTPUT (tq= 25 °C) K - ølm - CRI
COB	white	1,85	22065916-00	22065916-1241	46	4000K - 5225lm - CRI>80
			22065916-39	22065916-3941		3000K - 4859lm - CRI>80

Equipped with ring; can act as both an aesthetic finishing and to cover fitting holes with diameters up to 245mm.

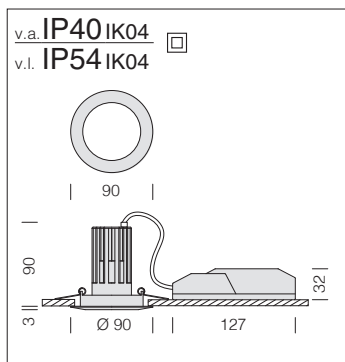
EM power kit	
1h	22096015-00
3h	22096033-00

EM (emergency) lamp power kit complete with connectors.









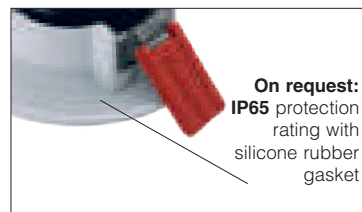
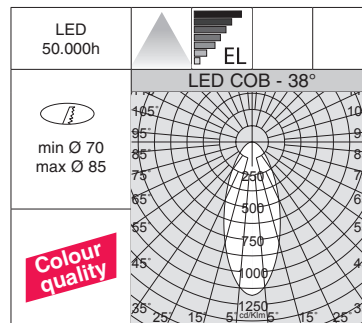
**Housing:** in die-cast aluminium equipped with adjustable steel bracket.

**Reflector:** screened anti-glare.

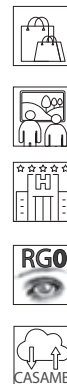
**Equipment:** silicone rubber protection gasket compliant with French low-energy building standards (BBC).

**Standards:** manufactured pursuant to EN 60598-1-CEI 34.21 and with a degree of protection pursuant to EN 60529.

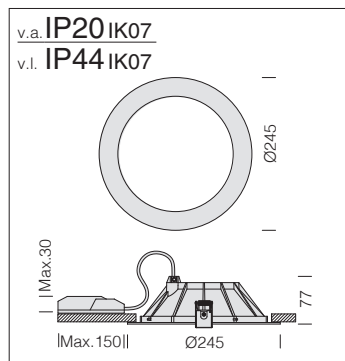
**LED:** luminous flux maintenance 80%: 50.000h (L80B20). Power factor >0.9.



Antares IP					
		CLD		LUMEN OUTPUT (tq= 25 °C)	
LED	colour	weight	code	W tot	K - ølm - CRI - degrees
COB	white	0,30	22062410-00	10	3000K - 671lm - CRI>90 - 38°
			22062411-00		4000K - 743lm - CRI>90 - 38°

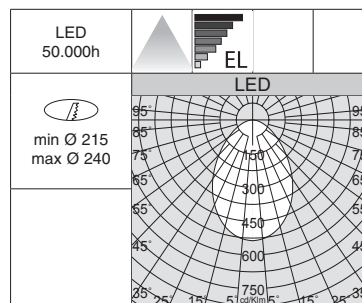


RECESSED DOWNLIGHTS



**Housing:** in die-cast aluminium equipped with adjustable steel bracket.

**LED:** luminous flux maintenance 70%: 50.000h (L70B50). Power factor >0.9.



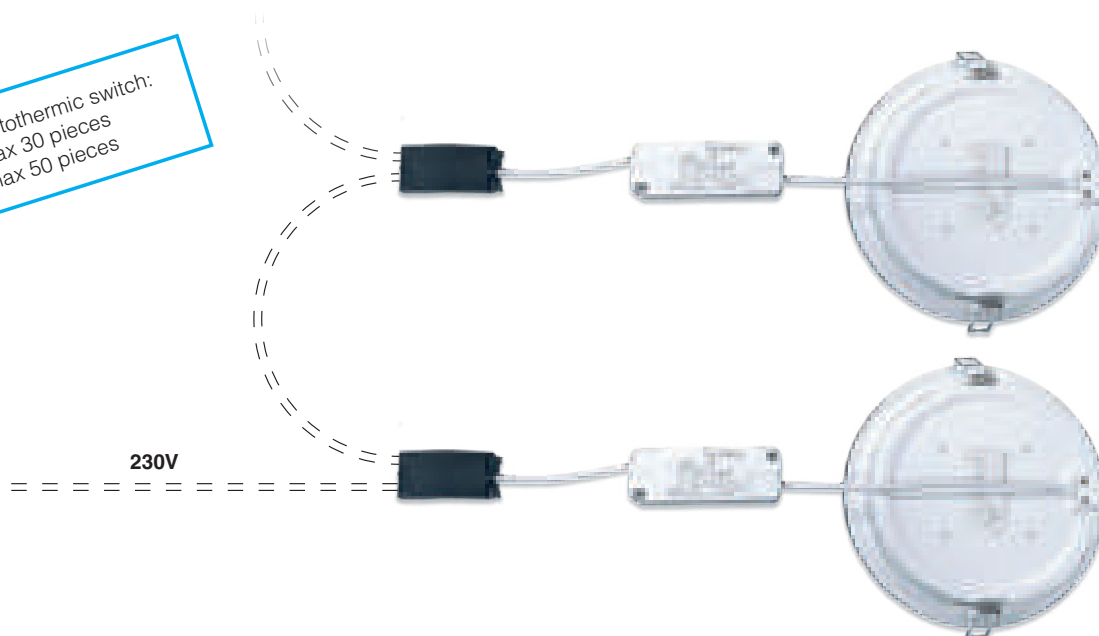
The shield consists of a laser-cut slab that serves as a lens for its effect of concentric circles. These decorations create a pattern with variable distances; the closer they get to the centre, the closer they come together, thereby achieving excellent visual comfort without glare.



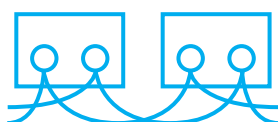
Tecno Lex					
		CLD		LUMEN OUTPUT (tq= 25 °C)	
LED	colour	weight	code	W tot	K - ølm - CRI
LED	white	1,00	22173611-00	27	4000K - 2770lm - CRI 80
			22173610-00		3000K - 2576lm - CRI 80



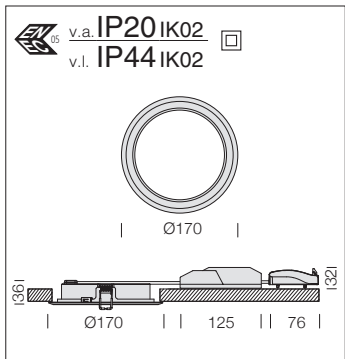
For 16A magnetothermic switch:  
 B16 = max 30 pieces  
 C16 = max 50 pieces



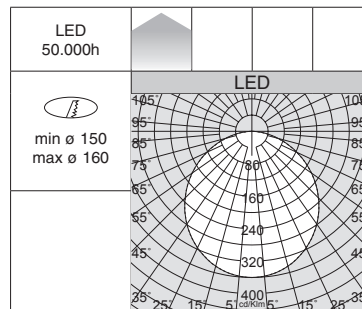
### QUICK INSTALLATION!!!



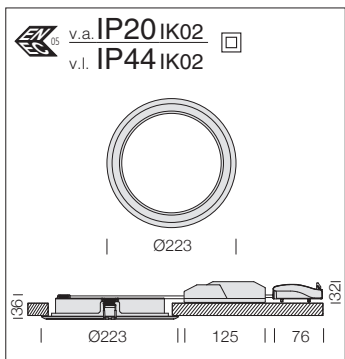
**Slim Lex P** allows you to create a “**LOOP-IN**”:  
 a system to connect two or more luminaires to the power supply.  
 As standard, Slim Lex P comes with a terminal that allows the installer to connect  
 the power line cable to the internal circuit through automatic wire clamps.



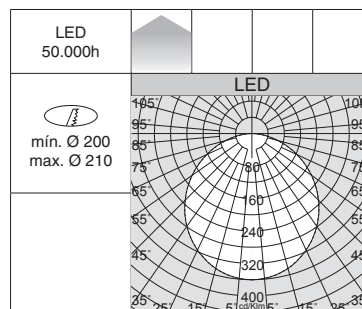
**Housing:** in die cast aluminium.  
**Diffuser:** panel in PMMA  
**LED:** luminous flux maintenance 70%: 25.000h (L70).



Slim Lex 1.0 P					
		CLD		LUMEN OUTPUT (tq= 25 °C)	
LED	colour	weight	code	W tot	K - ølm - CRI
LED	white	0,10	22169510-00	19	4000K - 2132lm - CRI≥80
			22169510-39		3000K - 2070lm - CRI≥80

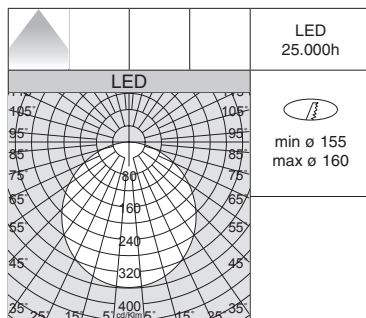


**Housing:** in die cast aluminium.  
**Diffuser:** panel in PMMA  
**LED:** luminous flux maintenance 70%: 25.000h (L70).

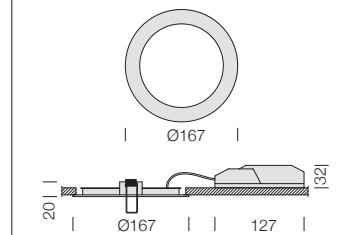


Slim Lex 2.0 P					
		CLD		LUMEN OUTPUT (tq= 25 °C)	
LED	colour	weight	code	W tot	K - ølm - CRI
LED	white	0,15	22169610-00	19	4000K - 2215lm - CRI≥80
			22169610-39		3000K - 2150lm - CRI≥80





v.a. IP20 IK07  
v.l. IP44 IK07

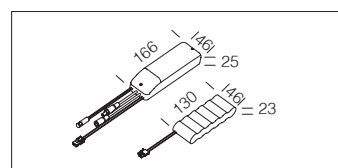


**Housing:** in die cast aluminium.

**Diffuser:** panel in PMMA

**LED:** luminous flux maintenance 70%: 25.000h (L70B50).

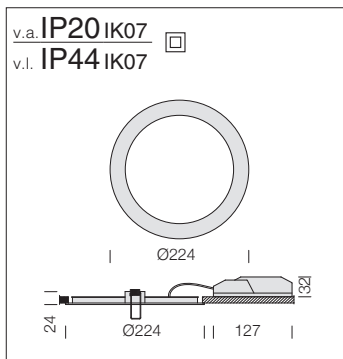
Slim Lex 1.0 B					
		CLD		LUMEN OUTPUT (tq= 25 °C)	
LED	colour	weight	code	W tot	K - $\varnothing$ lm - CRI
LED	white	0,40	22159512-00	12	4000K - 1000lm - CRI>80
			22159513-00		3000K - 930lm - CRI>80



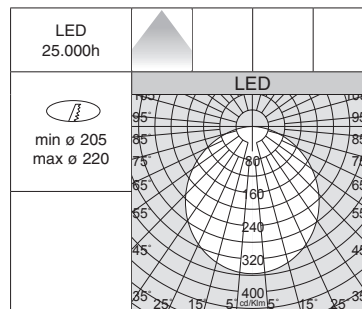
#### EM power kit

3h | 22096038-00

EM (emergency) lamp power kit complete with connectors.

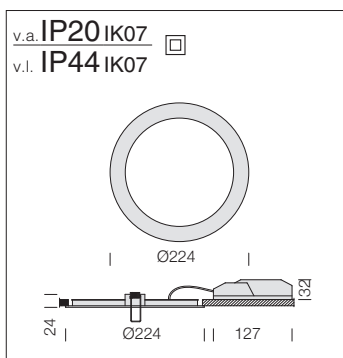
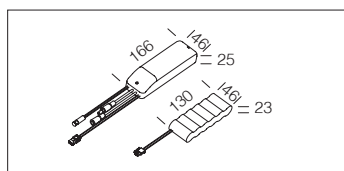


**Housing:** in die cast aluminium.  
**Diffuser:** panel in PMMA  
**LED:** luminous flux maintenance 70%: 25.000h (L70B50).

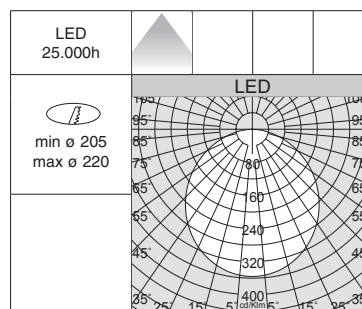


Slim Lex 2.0					
		CLD		LUMEN OUTPUT (tq= 25 °C)	
LED	colour	weight	code	W tot	K - ølm - CRI
LED	white	0,70	22159510-00	18	4000K - 1600lm - CRI>80
			22159511-00		3000K - 1500lm - CRI>80

EM power kit	
3h	22096038-00
EM (emergency) lamp power kit complete with connectors.	

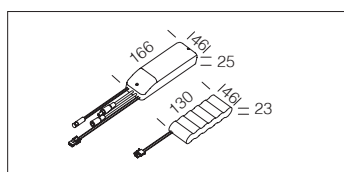


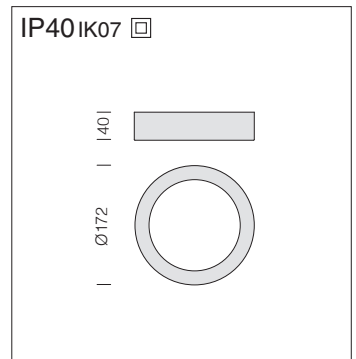
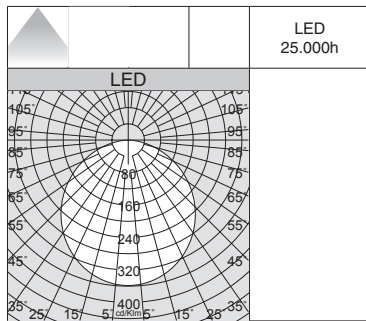
**Housing:** in die cast aluminium.  
**Diffuser:** panel in PMMA  
**LED:** luminous flux maintenance 70%: 25.000h (L70B50).



Slim Lex 3.0					
		CLD		LUMEN OUTPUT (tq= 25 °C)	
LED	colour	weight	code	W tot	K - ølm - CRI
LED	white	0,70	22159514-00	19	4000K - 2100lm - CRI>80

EM power kit	
3h	22096038-00
EM (emergency) lamp power kit complete with connectors.	





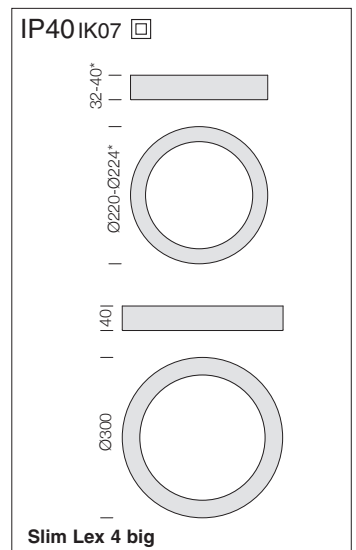
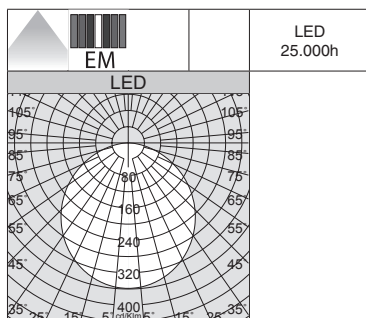
**Housing:** in die cast aluminium.

**Diffuser:** panel in PMMA

**LED:** luminous flux maintenance 70%: 25.000h (L70B50).

### Slim Lex 4 small

LED		CLD		LUMEN OUTPUT (tq= 25 °C)	
colour	weight	code	W tot	K - ølm - CRI	
LED white	0,50	22169314-00	12	4000K - 1082lm - CRI>80	
		22169313-00		3000K - 1010lm - CRI>80	



**Slim Lex 4 big**

### Slim Lex 4

LED		CLD		* CLD E (1h)	* CLD E (3h)	LUMEN OUTPUT (tq= 25 °C)	
colour	weight	code	code	code	code	W tot	K - ølm - CRI
LED white	0,70	22169310-00	22169310-09	22169310-0957	18	4000K - 1586lm - CRI>80	
		22169311-00	22169311-09	22169311-0957		3000K - 1473lm - CRI>80	



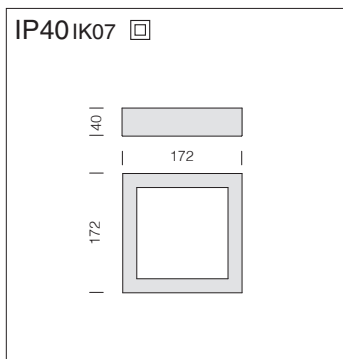
### Slim Lex 4 big

LED		CLD		LUMEN OUTPUT (tq= 25 °C)	
colour	weight	code	W tot	K - ølm - CRI	
LED white	0,90	22169315-68	24	4000K - 2121lm - CRI>80	
		22169315-00		3000K - 2039lm - CRI>80	

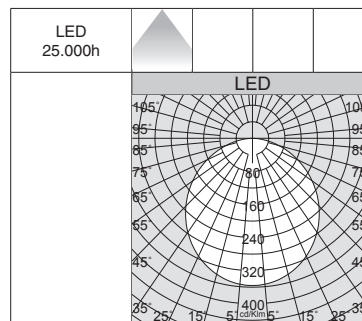
**Housing:** in die cast aluminium.

**Diffuser:** panel in PMMA

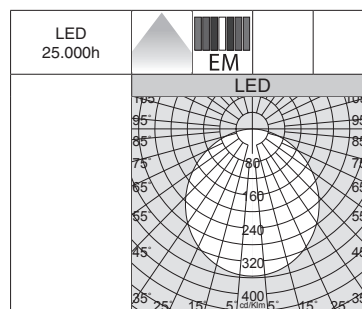
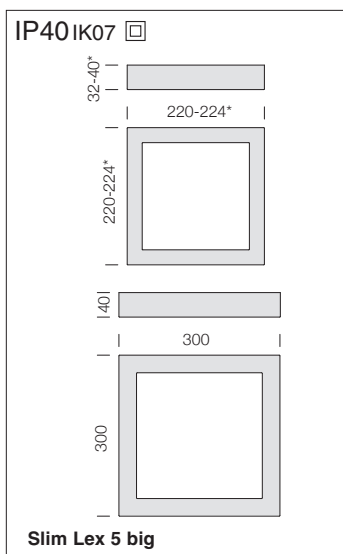
**LED:** luminous flux maintenance 70%: 25.000h (L70B50).



**Housing:** in die cast aluminium.  
**Diffuser:** panel in PMMA  
**LED:** luminous flux maintenance 70%: 25.000h (L70B50).



Slim Lex 5 small						
		CLD		LUMEN OUTPUT (tq= 25 °C)		
LED	colour	weight	code	W tot	K - ølm - CRI	
LED	white	0,60	22169414-00	12	4000K - 1082lm - CRI>80	
			22169413-00		3000K - 1010lm - CRI>80	

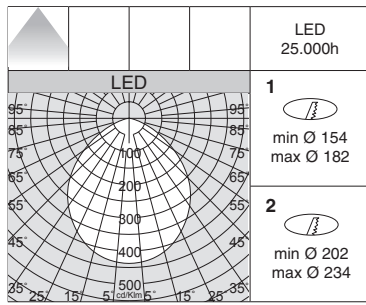
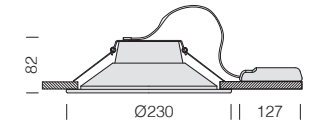
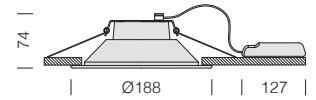


Slim Lex 5						
		CLD		* CLD E (1h)	* CLD E (3h)	LUMEN OUTPUT (tq= 25 °C)
LED	colour	weight	code	code	code	K - ølm - CRI
LED	white	0,70	22169411-00	22169411-09	22169411-0957	4000K - 1586lm - CRI>80
			22169410-00	22169410-09	22169410-0957	

**Housing:** in die cast aluminium.  
**Diffuser:** panel in PMMA  
**LED:** luminous flux maintenance 70%: 25.000h (L70B50).

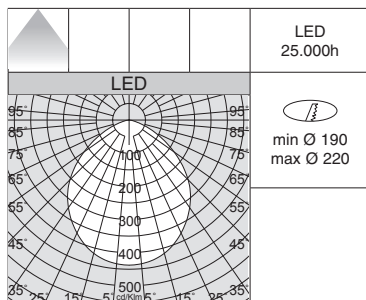
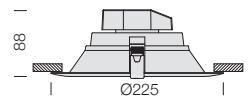
Slim Lex 5 big						
		CLD		LUMEN OUTPUT (tq= 25 °C)		
LED	colour	weight	code	W tot	K - ølm - CRI	
LED	white	0,90	22169415-68	24	4000K - 2121lm - CRI>80	
			22169415-00		3000K - 2039lm - CRI>80	



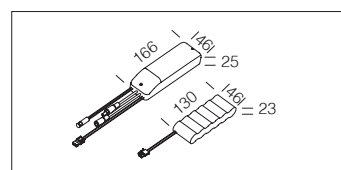
LED  
25.000h1  
min Ø 154  
max Ø 1822  
min Ø 202  
max Ø 234v.a. IP20 IK04  
v.l. IP44 IK04**Housing/Reflector:** made in painted white aluminium.**LED:** Luminous flux maintenance 70%: 30.000h (L70B50). Power factor >0.95

Speaker 1					
		CLD CELL		LUMEN OUTPUT (tq= 25 °C)	
LED	colour	weight	code	W tot	K - ølm - CRI
LED	white	0.25	22084411-00	13	4000K - 1300lm - CRI>80
			22084410-00		3000K - 1200lm - CRI>80

Speaker 2					
		CLD CELL		LUMEN OUTPUT (tq= 25 °C)	
LED	colour	weight	code	W tot	K - ølm - CRI
LED	white	0.35	22084416-00	22	4000K - 2119lm - CRI>80
			22084415-00		3000K - 2013lm - CRI>80

LED  
25.000hmin Ø 190  
max Ø 220v.a. IP20 IK04  
v.l. IP40 IK04**Housing/Reflector:** made in painted white aluminium.**LED:** luminous flux maintenance 70%: 25.000h (L70B50). Power factor >0.9.

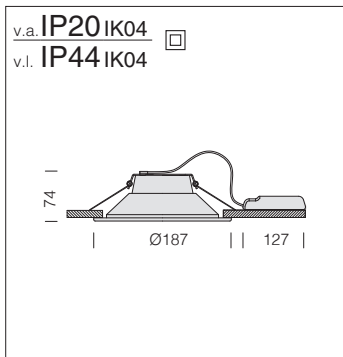
Speaker 3 B					
		CLD CELL		LUMEN OUTPUT (tq= 25 °C)	
LED	colour	weight	code	W tot	K - ølm - CRI
LED	white	0.40	22084711-00	23	4000K - 2050lm - CRI>80
			22084710-00		3000K - 1952lm - CRI>80

**EM power kit**

1h	22096035-00
3h	22096037-00

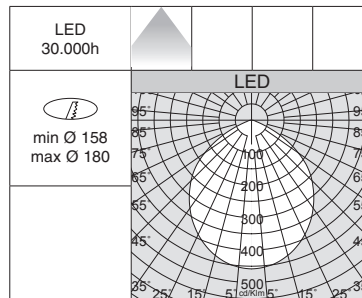
EM (emergency) lamp power kit complete with connectors.





**Reflector:** made in high gloss aluminium.

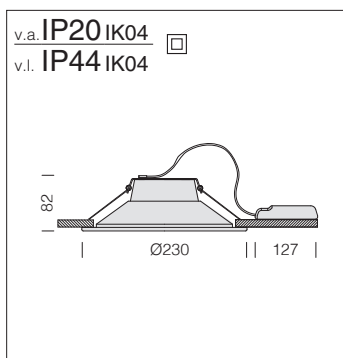
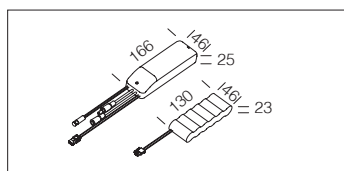
**LED:** luminous flux maintenance 70%: 30.000h (L70B50).  
Power factor >0.95.



Speaker 1 - MIRROR					
		CLD		LUMEN OUTPUT (tq= 25 °C)	
LED	colour	weight	code	W tot	K - ølm - CRI
LED	white	0.25	22084413-00	19	4000K - 1500lm - CRI>80

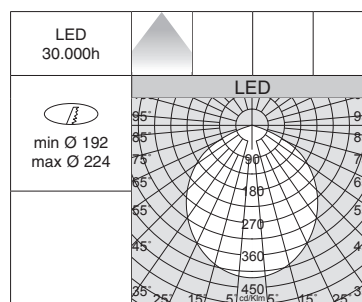
EM power kit	
1h	22096035-00
3h	22096037-00

EM (emergency) lamp power kit complete with connectors.



**Reflector:** made in high gloss aluminium.

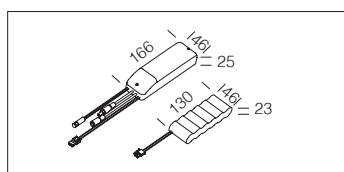
**LED:** luminous flux maintenance 70%: 30.000h (L70B50).  
Power factor >0.95.



Speaker 2 - MIRROR					
		CLD		LUMEN OUTPUT (tq= 25 °C)	
LED	colour	weight	code	W tot	K - ølm - CRI
LED	white	0.35	22084418-00	25	4000K - 2205lm - CRI>80

EM power kit	
1h	22096035-00
3h	22096037-00

EM (emergency) lamp power kit complete with connectors.





The range of Luthor recessed spotlights is expanded with three sizes. This enables to fit the spotlights in all fitting holes of the same line of products. Luthor adjustable recessed LED spotlights offer technologically advanced light and are a very solid product with high quality and high performance to illuminate large commercial spaces.

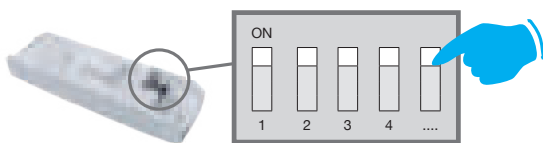
**Housing:** adjustable angle, made of die-cast aluminium with spring clips for recessed mounting.

**Reflector:** high-efficiency prismatic and polished aluminium with glass screen

**Coating:** dust painted, using polyester epoxy paint to withstand UV rays.

**LED:** luminous flux maintenance 80%: 50.000h (L80B20). Power factor >0.95.  
Photobiological safety class: exempt group.

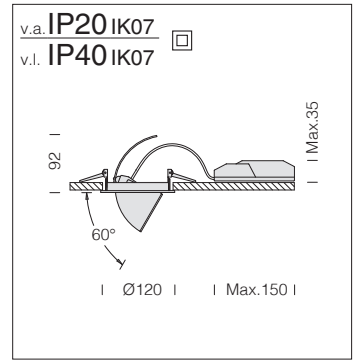
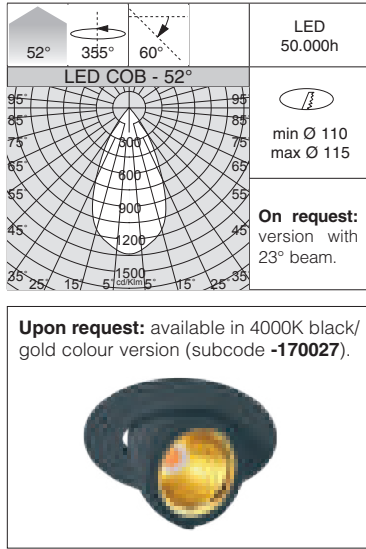
**Upon request:** version with CASAMBI automation lighting control system (fixtures **to be installed in NON-METALLIC false ceilings/panels**).  
For further information see chapter *Technical components*.



## ADAPT THE CURRENT TO ACHIEVE OPTIMAL LUMINOUS FLUX

**DIP SWITCH SETTING:** the fixture comes with a *DIP SWITCH* driver for **THE SETTING OF THE OUTPUT CURRENT**. In this way you, can **ENSURE THE BEST LUMINOUS FLUX** for any lighting design.

The possibility to choose the correct drive current for LEDs will allow you to have the right power under specific design conditions. Using a lower current will improve the efficiency of fixtures and therefore increase energy savings, whilst a higher current will result in a higher light flux so that you can reduce the number of fixtures.



**LED:** luminous flux maintenance 80%: 50.000h (L80B20). Power factor >0.9.

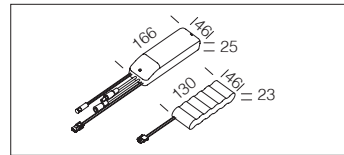
Luthor Small - DIP SWITCH - PROFESSIONAL						
LED	colour	weight	CLD code	I out	W tot	LUMEN OUTPUT (tq= 25 °C) K - ølm - CRI - degrees
COB	white	0.50	22087808-00	250	9	4000K - 1129lm - CRI 93 - 52°
	black		22087831-00			
COB	white	0.50	22087808-39	250	9	3000K - 1072lm - CRI 93 - 52°
	black		22087831-39			

Upon request: DIMM DALI (-1241 and -3941) and PUSH-DIMM (-1245 and -3945) version.

DIP SWITCH SETTING						
LUMEN OUTPUT (tq= 25 °C)						
I out	W tot	K - ølm - CRI - degrees				
250	9*	4000K - 1129lm - CRI 93 - 52°				
300	11	4000K - 1328lm - CRI 93 - 52°				
350	13	4000K - 1530lm - CRI 93 - 52°				

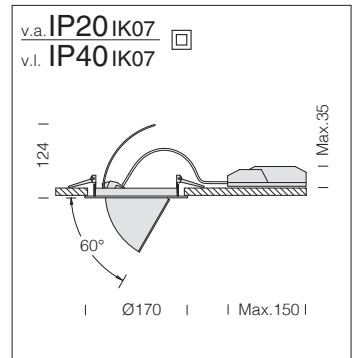
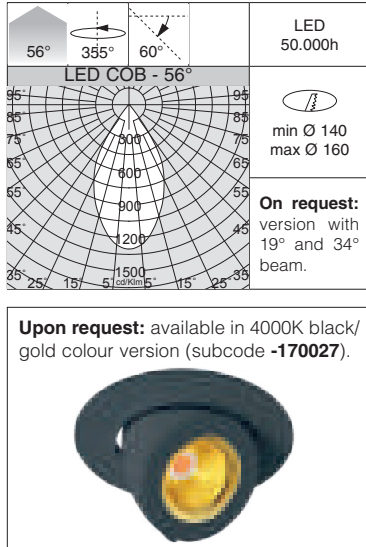
  

DIP SWITCH SETTING						
LUMEN OUTPUT (tq= 25 °C)						
I out	W tot	K - ølm - CRI - degrees				
250	9*	3000K - 1072lm - CRI 93 - 52°				
300	11	3000K - 1263lm - CRI 93 - 52°				
350	13	3000K - 1453lm - CRI 93 - 52°				



EM power kit	
1h	22096015-00
3h	22096033-00

EM (emergency) lamp power kit complete with connectors.



**LED:** luminous flux maintenance 80%: 50.000h (L80B20). Power factor >0.9.

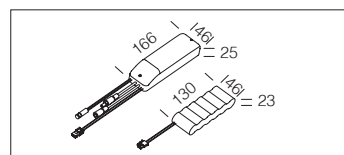
Luthor Medium - DIP SWITCH - PROFESSIONAL						
LED	colour	weight	CLD code	I out	W tot	LUMEN OUTPUT (tq= 25 °C) K - ølm - CRI - degrees
COB	white	1.00	22087809-00	500	19	4000K - 2251lm - CRI 93 - 56°
	black		22087832-00			
COB	white	1.00	22087809-39	500	19	3000K - 2137lm - CRI 93 - 56°
	black		22087832-39			

Upon request: DIMM DALI (-1241 and -3941) and PUSH-DIMM (-1245 and -3945) version.

DIP SWITCH SETTING						
LUMEN OUTPUT (tq= 25 °C)						
I out	W tot	K - ølm - CRI - degrees				
350	13*	4000K - 1615lm - CRI 93 - 56°				
400	15*	4000K - 1826lm - CRI 93 - 56°				
500	19*	4000K - 2251lm - CRI 93 - 56°				
600	22	4000K - 2643lm - CRI 93 - 56°				
700	26	4000K - 3036lm - CRI 93 - 56°				
725	27	4000K - 3137lm - CRI 93 - 56°				

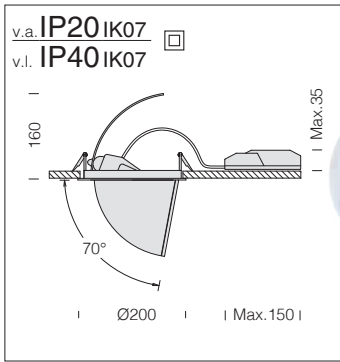
  

DIP SWITCH SETTING						
LUMEN OUTPUT (tq= 25 °C)						
I out	W tot	K - ølm - CRI - degrees				
350	13*	3000K - 1534lm - CRI 93 - 56°				
400	15*	3000K - 1735lm - CRI 93 - 56°				
500	19*	3000K - 2137lm - CRI 93 - 56°				
600	22	3000K - 2511lm - CRI 93 - 56°				
700	26	3000K - 2884lm - CRI 93 - 56°				
725	27	3000K - 2980lm - CRI 93 - 56°				

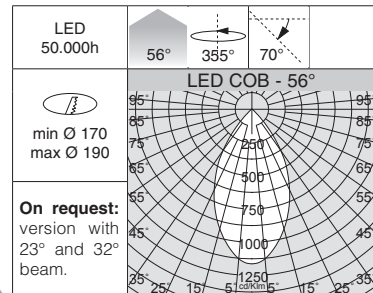


EM power kit	
1h	22096015-00
3h	22096033-00

EM (emergency) lamp power kit complete with connectors.



**LED:** luminous flux maintenance 80%: 50.000h (L80B20). Power factor >0.9.



**Upon request:** available in 4000K black/gold colour version (subcode **-170027**).



RECESSED DOWNLIGHTS

**Luthor Big - DIP SWITCH - PROFESSIONAL**

LED	colour	weight	CLD code	I out	W tot	LUMEN OUTPUT (tq= 25 °C) K - ølm - CRI - degrees
COB	white	1.60	22085910-00	1050	39	4000K - 4409lm - CRI 93 - 56°
	black		22085930-00			
COB	white	1.60	22085910-39	1050	39	3000K - 4189lm - CRI 93 - 56°
	black		22085930-39			

**Upon request:** DIMM DALI (-1241 and -3941) and PUSH-DIMM (-1245 and -3945) version.

DIP SWITCH SETTING		LUMEN OUTPUT (tq= 25 °C)		K - ølm - CRI - degrees	
I out	W tot	I out	W tot	I out	W tot
850	32	4000K	3681lm	CRI 93	56°
900	33	4000K	3876lm	CRI 93	56°
950	36	4000K	4091lm	CRI 93	56°
1050	39	4000K	4409lm	CRI 93	56°

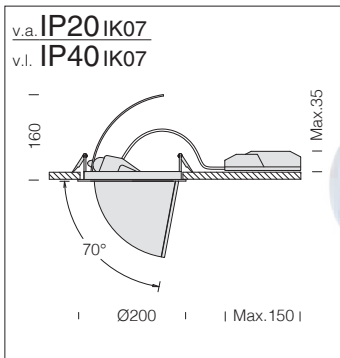
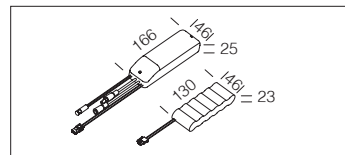
  

DIP SWITCH SETTING		LUMEN OUTPUT (tq= 25 °C)		K - ølm - CRI - degrees	
I out	W tot	I out	W tot	I out	W tot
850	32	3000K	3497lm	CRI 93	56°
900	33	3000K	3683lm	CRI 93	56°
950	36	3000K	3887lm	CRI 93	56°
1050	39	3000K	4189lm	CRI 93	56°

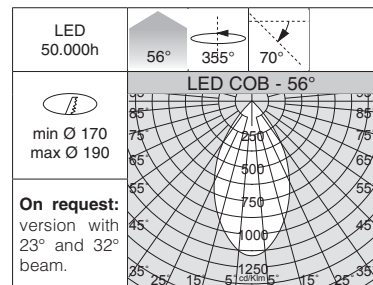
**EM power kit**

1h	22096015-00
3h	22096033-00

EM (emergency) lamp power kit complete with connectors.



**LED:** luminous flux maintenance 80%: 50.000h (L80B20). Power factor >0.9.



**Upon request:** available in 4000K black/gold colour version (subcode **-170027**).



**Luthor Big - DIP SWITCH - PROFESSIONAL**

LED	colour	weight	CLD code	I out	W tot	LUMEN OUTPUT (tq= 25 °C) K - ølm - CRI - degrees
COB	white	1.60	22085912-00	1200	69	4000K - 7224lm - CRI 93 - 56°
	black		22085932-00			
COB	white	1.60	22085912-39	1200	69	3000K - 6863lm - CRI 93 - 56°
	black		22085932-39			

**Upon request:** DIMM DALI (-1241 and -3941) and PUSH-DIMM (-1245 and -3945) version.

DIP SWITCH SETTING		LUMEN OUTPUT (tq= 25 °C)		K - ølm - CRI - degrees	
I out	W tot	I out	W tot	I out	W tot
800	45	4000K	5296lm	CRI 93	56°
900	52	4000K	5898lm	CRI 93	56°
950	55	4000K	6200lm	CRI 93	56°
1050	57	4000K	6395lm	CRI 93	56°
1200	69	4000K	7224lm	CRI 93	56°

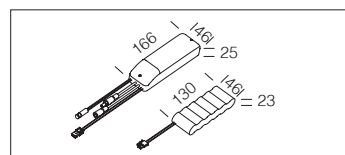
  

DIP SWITCH SETTING		LUMEN OUTPUT (tq= 25 °C)		K - ølm - CRI - degrees	
I out	W tot	I out	W tot	I out	W tot
800	45	3000K	5031lm	CRI 93	56°
900	52	3000K	5603lm	CRI 93	56°
950	55	3000K	5889lm	CRI 93	56°
1050	57	3000K	6075lm	CRI 93	56°
1200	69	3000K	6863lm	CRI 93	56°

**EM power kit**

1h	22096015-00
3h	22096033-00

EM (emergency) lamp power kit complete with connectors.





Whether in the round or square version, this recessed LED spotlight is the perfect solution for installations that are designed to hide their physical presence once fitted. These spotlights are shaped to blend perfectly into the false ceilings where they are fitted. Moreover, thanks to the high **IP65** protection rating, they can be easily installed in any type of space, to create amazing light effects.

**Housing:** in die-cast aluminium with heat sink.

**Installation:** equipped with galvanised steel support brackets, with housing for springs for attachment to the false ceilings.

**Coating:** epoxy polyester powder coating resistant to UV rays.

**Equipment:** silicone rubber protection gasket compliant with French low-energy building standards (**BBC**).

**Standards:** manufactured pursuant to EN 60598-1-CEI 34.21 and with a degree of protection pursuant to EN 60529.

**LED:** luminous flux maintenance 80%: 50.000h (L80B20). Power factor >0.95.

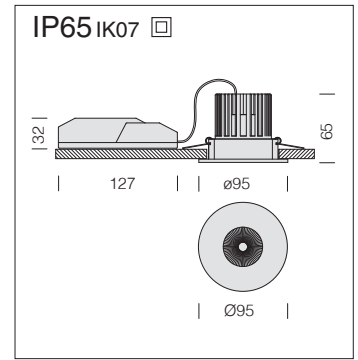
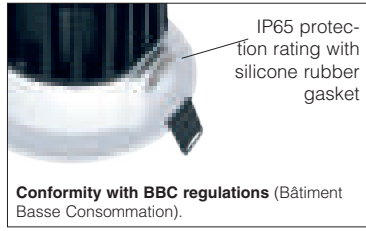
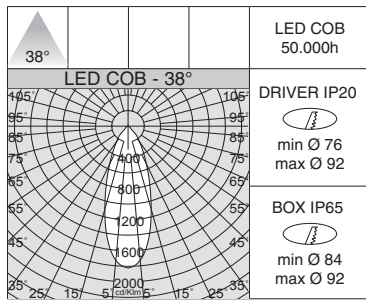
Photobiological safety class: exempt group. **Upon request:** available version with 2700K / 5000K LED.

**Upon request:** version with CASAMBI automation lighting control system (fixtures **to be installed in NON-METALLIC false ceilings/panels**).  
For further information see chapter *Technical components*.



The right lighting and fixture play a vital role in facilitating sales. This is the reason why LED fixtures with a **CRI>90** are being requested. Therefore, the current trend is geared towards the manufacturing of more flexible fixtures, which also emit an excellent quality of light, while guaranteeing remarkable energy savings and lower maintenance costs.

The Colour Rendering Index (**CRI**) indicates how truthfully the artificial light source is able to reproduce the colours of objects. It varies from a range of **0 to 100**, where **0 represents the minimum** and **100 is the maximum**. Daylight is the best source of light from a physiological point of view because it contains the full colour spectrum. Therefore, a lamp with a high colour rendering index is very important to ensure the wellbeing and comfort of the occupants of a room and it is absolutely necessary in rooms where good visibility is required.

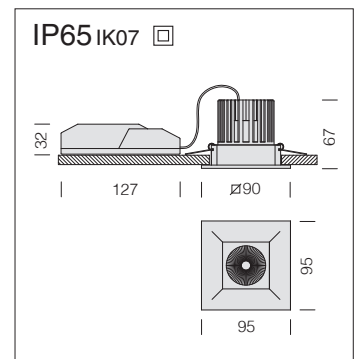
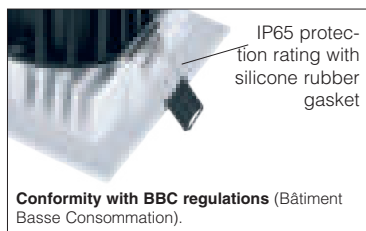
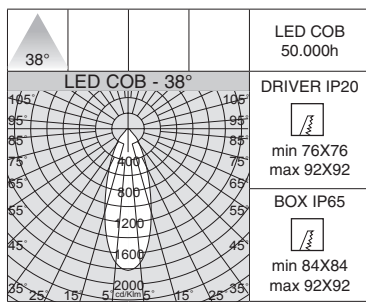


**Reflector:** screened anti-glare. With lens for better light distribution.

**LED:** luminous flux maintenance 80%: 50.000h (L80B20).

Snow 1					
LED	colour	weight	CLD		LUMEN OUTPUT (tq= 25 °C)
			code	W tot	K - ølm - CRI - degrees
COB	white	0,30	22082610-68		4000K - 1145lm - CRI>90 - 38°
	silver		22082670-68		
COB	white	0,30	22082610-00		3000K - 1070lm - CRI>90 - 38°
	silver		22082670-00		

Equipped with cable L=1,5m , cable gland and steel screws with special anticorrosion treatment.  
**Upon request:** version complete with IP65 driver.

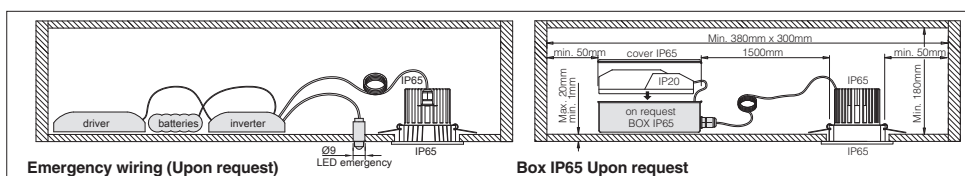


**Reflector:** screened anti-glare. With lens for better light distribution.

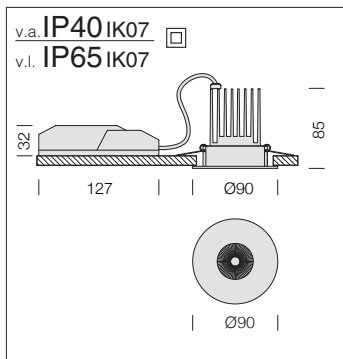
**LED:** luminous flux maintenance 80%: 50.000h (L80B20).

Snow 2					
LED	colour	weight	CLD		LUMEN OUTPUT (tq= 25 °C)
			code	W tot	K - ølm - CRI - degrees
COB	white	0,30	22082710-68		4000K - 1145lm - CRI>90 - 38°
	silver		22082770-68		
COB	white	0,30	22082710-00		3000K - 1070lm - CRI>90 - 38°
	silver		22082770-00		

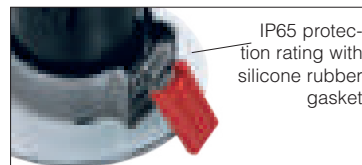
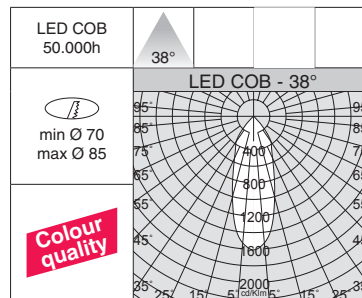
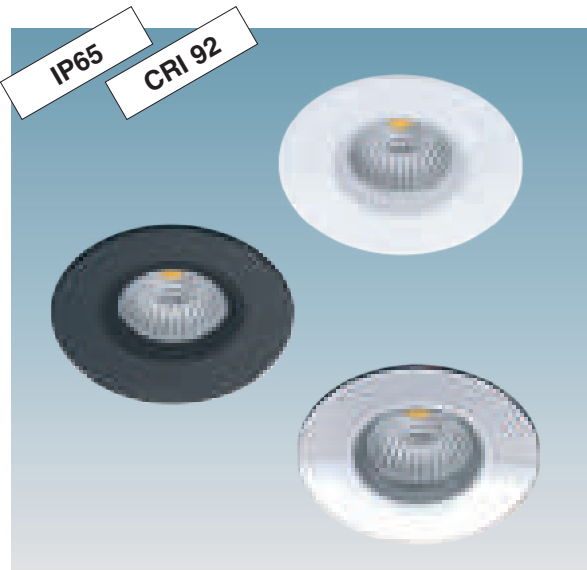
Equipped with cable L=1,5m , cable gland and steel screws with special anticorrosion treatment.  
**Upon request:** version complete with IP65 driver.







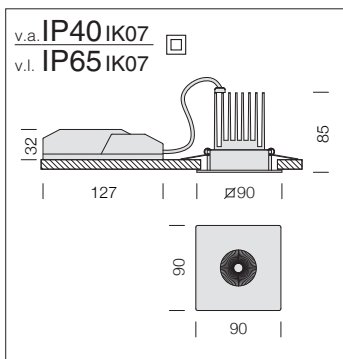
**Optics:** anti-glare, screened optics.  
**LED:** luminous flux maintenance 80%: 50.000h (L80B20).  
**Upon request:** available DIMM-DALI version.



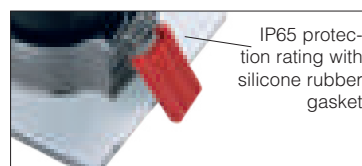
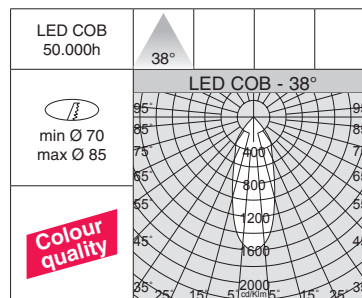
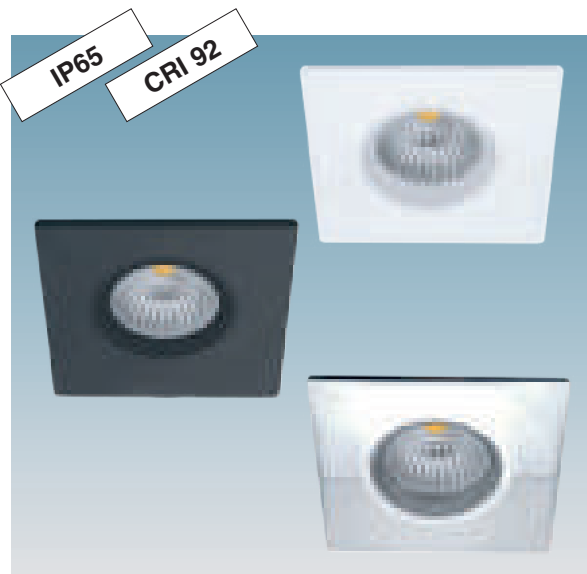
**Conformity with BBC regulations** (Bâtiment Basse Consommation).



Snow 3					
LED	colour	weight	CLD		LUMEN OUTPUT (tq= 25 °C)
			code	W tot	K - ølm - CRI - degrees
COB	white	0,30	22082614-00	10	4000K - 990lm - CRI 92 - 38°
	black		22082634-00		
	chrome		22082664-00		
COB	white	0,30	22082613-00	10	3000K - 957lm - CRI 92 - 38°
	black		22082633-00		
	chrome		22082663-00		



**Optics:** anti-glare, screened optics.  
**LED:** luminous flux maintenance 80%: 50.000h (L80B20).  
**Upon request:** available DIMM-DALI version.



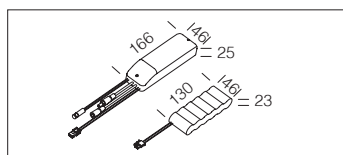
**Conformity with BBC regulations** (Bâtiment Basse Consommation).



Snow 4					
LED	colour	weight	CLD		LUMEN OUTPUT (tq= 25 °C)
			code	W tot	K - ølm - CRI - degrees
COB	white	0,30	22082714-00	10	4000K - 990lm - CRI 92 - 38°
	black		22082734-00		
	chrome		22082760-00		
COB	white	0,30	22082713-00	10	3000K - 957lm - CRI 92 - 38°
	black		22082733-00		
	chrome		22082760-39		

EM power kit	
1h	22096015-00
3h	22096033-00

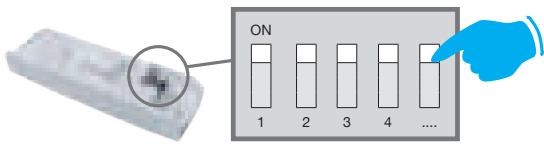
EM (emergency) lamp power kit complete with connectors.



Protection guard for Snow 3-4	
black	22095130-00

For insulation in the ceiling.

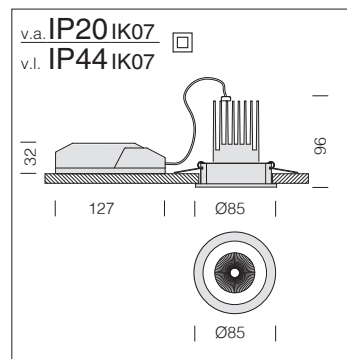
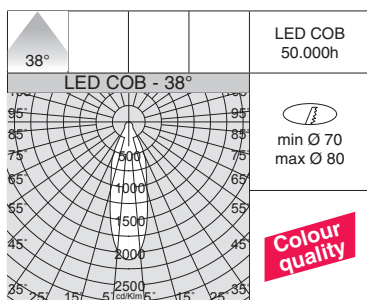




## ADAPT THE CURRENT TO ACHIEVE OPTIMAL LUMINOUS FLUX

**DIP SWITCH SETTING:** the fixture comes with a *DIP SWITCH* driver for **THE SETTING OF THE OUTPUT CURRENT**. In this way you, can **ENSURE THE BEST LUMINOUS FLUX** for any lighting design.

The possibility to choose the correct drive current for LEDs will allow you to have the right power under specific design conditions. Using a lower current will improve the efficiency of fixtures and therefore increase energy savings, whilst a higher current will result in a higher light flux so that you can reduce the number of fixtures.



**Optics:** anti-glare, screened optics.

**LED:** luminous flux maintenance 80%: 50.000h (L80B20). Power factor >0.9.

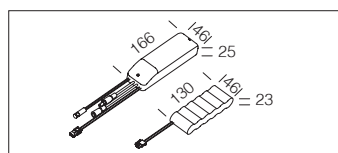
new

Snow 50 - DIP SWITCH						
LED	colour	weight	CLD		LUMEN USCENTI (tq= 25 °C)	
			code	I out	W tot	K - ølm - CRI - degrees
COB	white	0,25	22082616-00	150	6	4000K - 430lm - CRI>90 - 38°
	black		22082636-00			
COB	white	0,25	22082615-00	150	6	3000K - 408lm - CRI>90 - 38°
	black		22082635-00			

Upon request: 15° and 25° light beam versions.

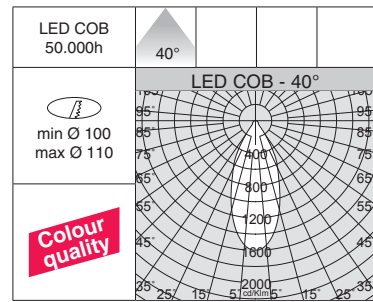
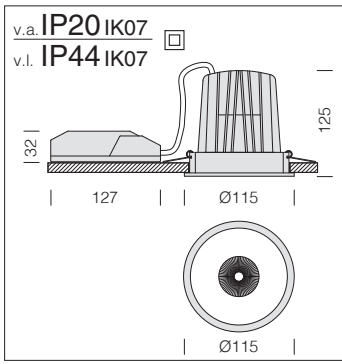
DIP SWITCH SETTING			LUMEN OUTPUT (tq= 25 °C)	
I out	W tot	K - ølm - CRI - degrees		
150	6*	4000K - 430lm - CRI>90 - 38°		
200	8	4000K - 560lm - CRI>90 - 38°		
250	10	4000K - 673lm - CRI>90 - 38°		

DIP SWITCH SETTING			LUMEN OUTPUT (tq= 25 °C)	
I out	W tot	K - ølm - CRI - degrees		
150	6*	3000K - 408lm - CRI>90 - 38°		
200	8	3000K - 532lm - CRI>90 - 38°		
250	10	3000K - 639lm - CRI>90 - 38°		



EM power kit	
1h	22096015-00
3h	22096033-00

EM (emergency) lamp power kit complete with connectors.



**Optics:** anti-glare, screened optics.

**LED:** luminous flux maintenance 80%: 50.000h (L80B20). Power factor >0.9.

Snow 70 - DIP SWITCH						
LED	colour	weight	CLD code	I out	W tot	LUMEN USCENTI (tq= 25 °C) K - ølm - CRI - degrees
COB	white	0,50	22082716-00	700	25	4000K - 2518lm - CRI>90 - 40°
	black		22082736-00			
COB	white	0,50	22082715-00	700	25	3000K - 2392lm - CRI>90 - 40°
	black		22082735-00			

Upon request: 21° and 28° light beam versions.

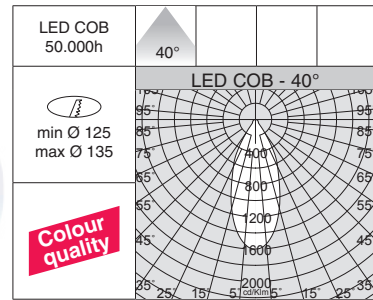
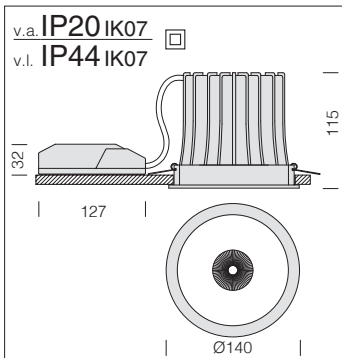
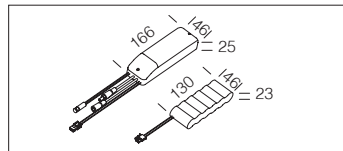
DIP SWITCH SETTING						
LUMEN OUTPUT (tq= 25 °C)						
I out	W tot	K - ølm - CRI - degrees				
600	22	4000K - 2226lm - CRI>90 - 40°				
650	24	4000K - 2373lm - CRI>90 - 40°				
700	25	4000K - 2518lm - CRI>90 - 40°				

DIP SWITCH SETTING						
LUMEN OUTPUT (tq= 25 °C)						
I out	W tot	K - ølm - CRI - degrees				
600	22	3000K - 2115lm - CRI>90 - 40°				
650	24	3000K - 2254lm - CRI>90 - 40°				
700	25	3000K - 2392lm - CRI>90 - 40°				

EM power kit	
1h	22096015-00
3h	22096033-00

EM (emergency) lamp power kit complete with connectors.



**Optics:** anti-glare, screened optics.

**LED:** luminous flux maintenance 80%: 50.000h (L80B20). Power factor >0.9.

Snow 111 - DIP SWITCH						
LED	colour	weight	CLD code	I out	W tot	LUMEN USCENTI (tq= 25 °C) K - ølm - CRI - degrees
COB	white	0,60	22082816-00	1050	39	4000K - 3617lm - CRI>90 - 40°
	black		22082836-00			
COB	white	0,60	22082815-00	1050	39	3000K - 3436lm - CRI>90 - 40°
	black		22082835-00			

Upon request: 15° and 25° light beam versions.

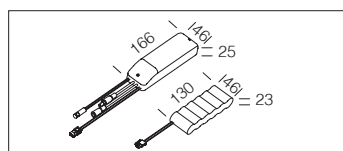
DIP SWITCH SETTING						
LUMEN OUTPUT (tq= 25 °C)						
I out	W tot	K - ølm - CRI - degrees				
900	34	4000K - 3247lm - CRI>90 - 40°				
950	35	4000K - 3366lm - CRI>90 - 40°				
1050	39	4000K - 3617lm - CRI>90 - 40°				

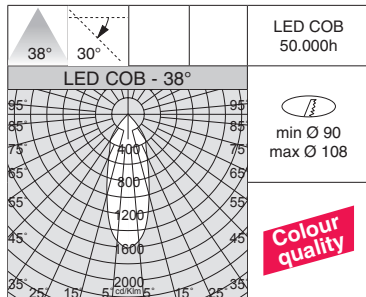
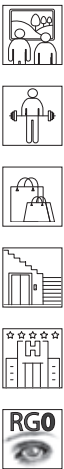
  

DIP SWITCH SETTING						
LUMEN OUTPUT (tq= 25 °C)						
I out	W tot	K - ølm - CRI - degrees				
900	34	3000K - 3085lm - CRI>90 - 40°				
950	35	3000K - 3198lm - CRI>90 - 40°				
1050	39	3000K - 3436lm - CRI>90 - 40°				

EM power kit	
1h	22096015-00
3h	22096033-00

EM (emergency) lamp power kit complete with connectors.

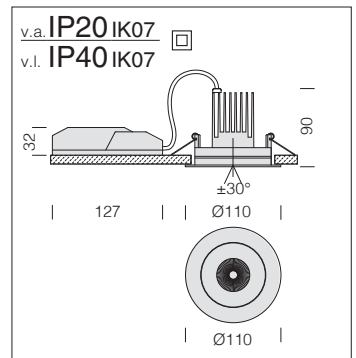




LED COB  
50.000h

min Ø 90  
max Ø 108

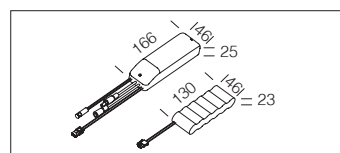
**Colour quality**



**Optics:** anti-glare, screened optics.

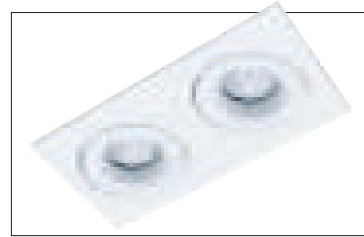
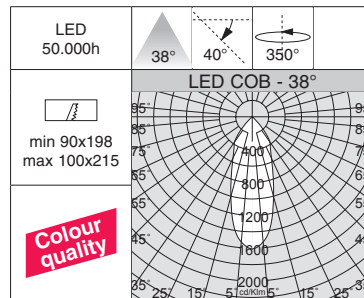
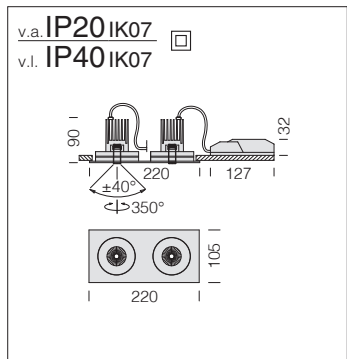
**LED:** luminous flux maintenance 80%: 50.000h (L80B20).  
Power factor >0.9.

Snow 5					
LED	colour	weight	CLD code	W tot	LUMEN OUTPUT (tq= 25 °C) K - ølm - CRI - degrees
COB	white	0,30	22082612-00	10	4000K - 990lm - CRI 92 - 38°
	chrome		22082660-68		
COB	white	0,30	22082611-00	10	3000K - 957lm - CRI 92 - 38°
	chrome		22082660-00		



EM power kit	
1h	22096015-00
3h	22096033-00

EM (emergency) lamp power kit complete with connectors.



**Frame:** made of aluminium.

**Equipment:** complete with springs to suspended ceiling from 1mm to 25 mm thick.

**LED:** luminous flux maintenance 80%: 50.000h (L80B20). Power factor >0.9.

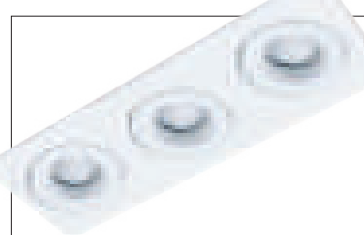
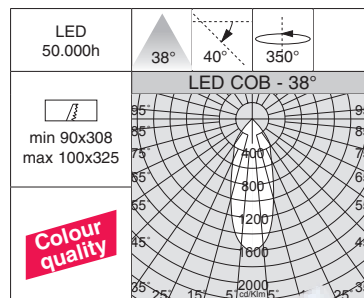
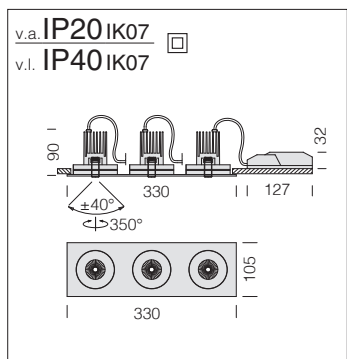
**Upon request:**

- available DIMM-DALI version.
- available 2700K / 5000K LED version.

Snow 2x					
		CLD		LUMEN OUTPUT (tq= 25 °C)	
LED	colour	weight	code	W tot	K - ølm - CRI - degrees
COB	white	0,90	22180711-00	20	4000K - 2x990lm - CRI 92 - 38°
			22180710-00		3000K - 2x957lm - CRI 92 - 38°



RECESSED DOWNLIGHTS



**Frame:** made of aluminium.

**Equipment:** complete with springs to suspended ceiling from 1mm to 25 mm thick.

**LED:** luminous flux maintenance 80%: 50.000h (L80B20). Power factor >0.9.

**Upon request:**

- available DIMM-DALI version.
- available 2700K / 5000K LED version.

Snow 3x					
		CLD		LUMEN OUTPUT (tq= 25 °C)	
LED	colour	weight	code	W tot	K - ølm - CRI - degrees
COB	white	1,35	22180811-00	30	4000K - 3x990lm - CRI 92 - 38°
			22180810-00		3000K - 3x957lm - CRI 92 - 38°





The ideal retrofit of existing ISPOT spotlights, it represents the technological benchmark of recessed spotlights. The main advantages of this latest generation product are energy-efficiency, great flexible use and superior lighting quality. With latest generation LEDs you can save up to 80% of energy compared to old products, plus a service life that can reach up to 50,000 hours guaranteeing an excellent luminous flux. The high quality of these spotlights is also guaranteed by specific colour temperatures (3000K - 4000K) and anti-glare optics.

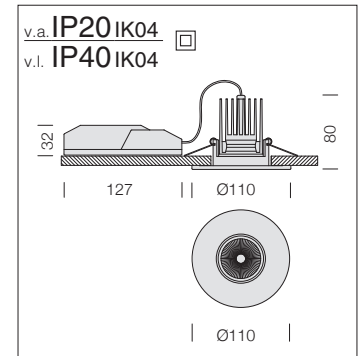
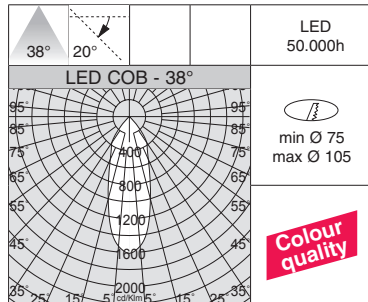
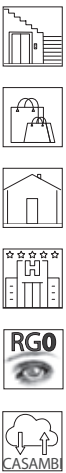
**Upon request:** version with CASAMBI automation lighting control system (fixtures **to be installed in NON-METALLIC false ceilings/panels**).  
For further information see chapter *Technical components*.



<b>Honeycomb screen</b>
22005132-00
To reduce glare



<b>Protection guard for iSpot 1-2-3</b>	
black	22095130-00
For insulation in the ceiling.	



**Housing:** made of die-cast aluminium with spring clips for recessed mounting.

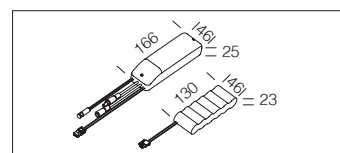
**Reflector:** high-efficiency metallised polycarbonate.

**LED:** luminous flux maintenance 80%: 50.000h (L80B20). Power factor >0.9.

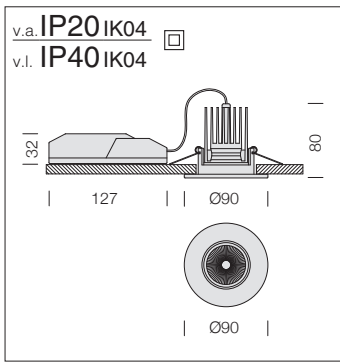
**Upon request:**  
• available DIMM-DALI version.  
• available 2700K / 5000K LED version.

iSpot 1					
LED	colour	weight	CLD code	W tot	LUMEN OUTPUT (tq= 25 °C) K - ølm - CRI - degrees
COB	white	0,30	22067311-00	10	4000K - 990lm - CRI 92 - 38°
	black		22067331-00		
	s. silver		22067371-00		
COB	white	0,30	22067310-00	10	3000K - 957lm - CRI 92 - 38°
	black		22067330-00		
	s. silver		22067370-00		

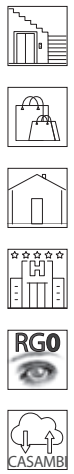
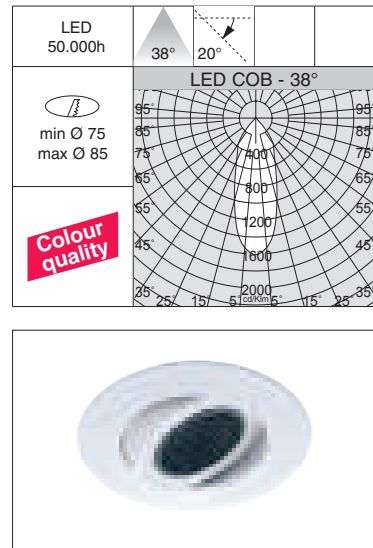
Universally applicable, suitable to replace downlights with cut out diameters ranging from 75 mm to 105 mm.



<b>EM power kit</b>	
1h	22096015-00
3h	22096033-00
EM (emergency) lamp power kit complete with connectors.	



**CRI 92**



**Housing:** made of die-cast aluminium with spring clips for recessed mounting.

**Reflector:** high-efficiency metallised polycarbonate.

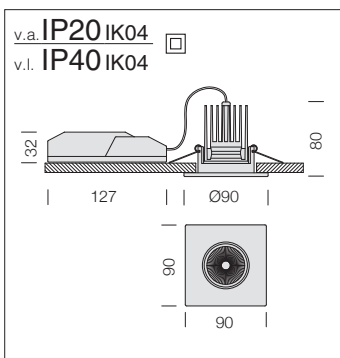
**LED:** luminous flux maintenance 80%: 50.000h (L80B20). Power factor >0.9.

**Upon request:**

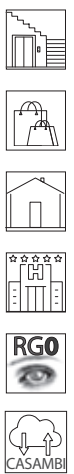
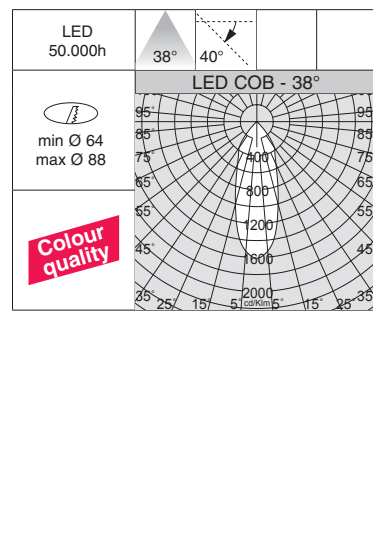
- available DIMM-DALI version.
- available 2700K / 5000K LED version.

iSpot 2					
		CLD		LUMEN OUTPUT (tq= 25 °C)	
LED	colour	weight	code	W tot	K - ølm - CRI - degrees
COB	white	0,30	22067211-00	10	4000K - 990lm - CRI 92 - 38°
	black		22067231-00		
	s. silver		22067271-00		
	chrome		22067261-00		
COB	white	0,30	22067210-00	10	3000K - 957lm - CRI 92 - 38°
	black		22067230-00		
	s. silver		22067270-00		
	chrome		22067260-00		

Universally applicable, suitable to replace downlights with cut out diameters ranging from 75 mm to 85 mm.



**CRI 92**



**Housing:** made of die-cast aluminium with spring clips for recessed mounting.

**Reflector:** high-efficiency metallised polycarbonate.

**LED:** luminous flux maintenance 80%: 50.000h (L80B20). Power factor >0.9.

**Upon request:**

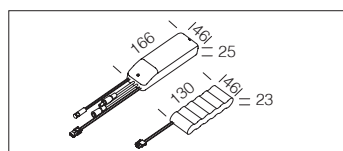
- available DIMM-DALI version.
- available 2700K / 5000K LED version.

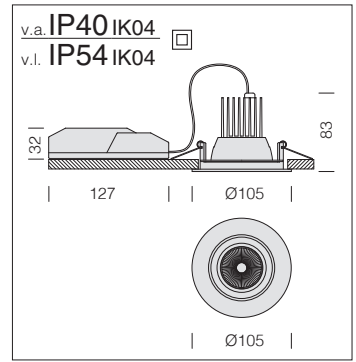
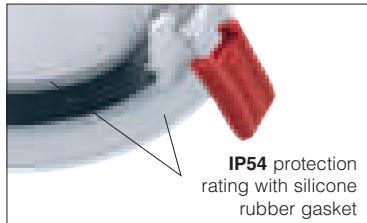
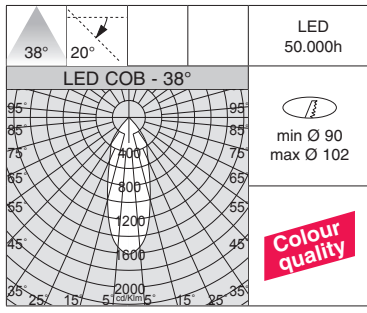
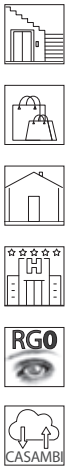
iSpot 3 - square					
		CLD		LUMEN OUTPUT (tq= 25 °C)	
LED	colour	weight	code	W tot	K - ølm - CRI - degrees
COB	chrome	0,30	22067460-00	10	3000K - 957lm - CRI 92 - 38°

Universally applicable, suitable to replace downlights with cut out diameters ranging from 64mm to 88mm.

EM power kit	
1h	22096015-00
3h	22096033-00

EM (emergency) lamp power kit complete with connectors.





**Housing:** made of die-cast aluminium with spring clips for recessed mounting.

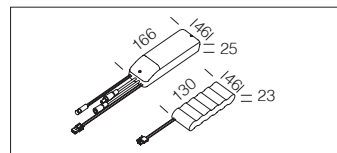
**Reflector:** high-efficiency metallised polycarbonate.

**Equipment:** silicone rubber protection gasket compliant with French low-energy building standards **BBC** (Bâtiment Basse Consommation).

**LED:** luminous flux maintenance 80%: 50.000h (L80B20). Power factor >0.9.

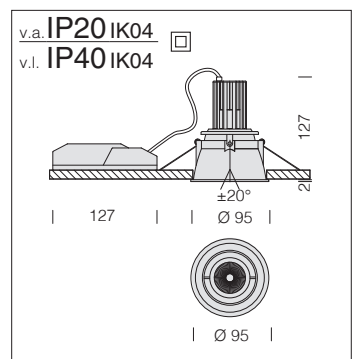
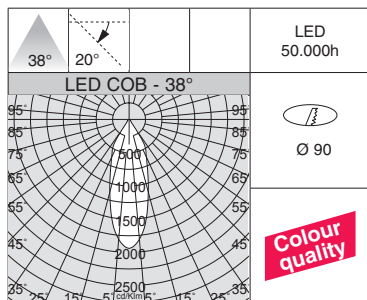
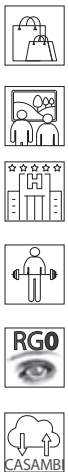
iSpot 4					
		CLD		LUMEN OUTPUT (tq= 25 °C)	
LED	colour	weight	code	W tot	K - ølm - CRI - degrees
COB	white	0,30	22067511-00	10	4000K - 990lm - <b>CRI 92</b> - 38°
			22067510-00		3000K - 957lm - <b>CRI 92</b> - 38°

Universally applicable, suitable to replace downlights with cut out diameters ranging from 90mm to 102mm.



EM power kit	
1h	22096015-00
3h	22096033-00

EM (emergency) lamp power kit complete with connectors.



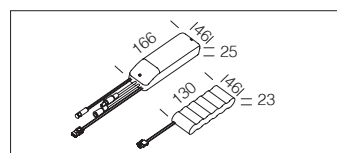
**Housing:** made of die-cast aluminium.

**Reflector:** high-efficiency metallised polycarbonate.

**LED:** luminous flux maintenance 80% 50.000h (L80B20). Power factor >0.9.

**Upon request:** available 2700K / 5000K LED version.

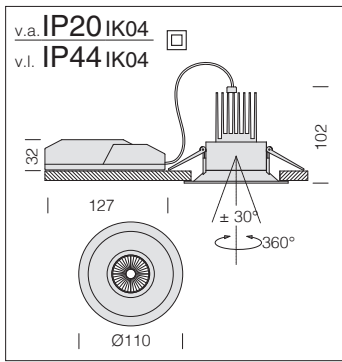
iSpot Tech 3					
		CLD		LUMEN OUTPUT (tq= 25 °C)	
LED	colour	weight	code	W tot	K - ølm - CRI - degrees
COB	white	0,30	22167211-00	10	4000K - 990lm - <b>CRI 92</b> - 38°
			22167210-00		3000K - 957lm - <b>CRI 92</b> - 38°



EM power kit	
1h	22096015-00
3h	22096033-00

EM (emergency) lamp power kit complete with connectors.

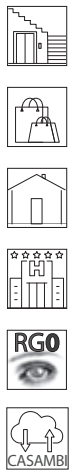
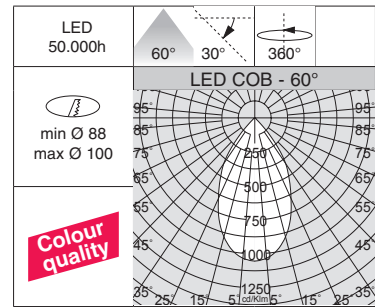




CRI 92



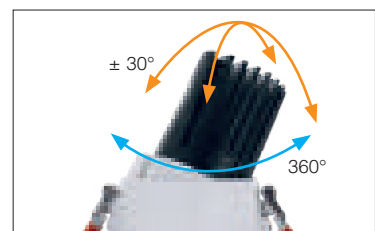
**Housing:** made of die-cast aluminium.  
**Lens:** in PMMA with high efficiency output and very low glare rate.  
**LED:** luminous flux maintenance 80%: 50.000h (L80B20).  
 Power factor >0.9.



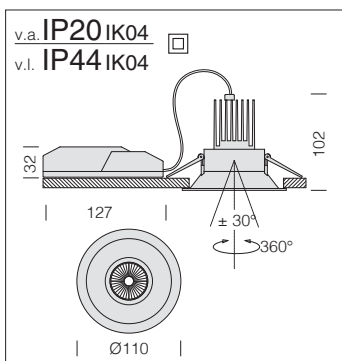
RECESSED DOWNLIGHTS

iSpot Architectural 1					
		CLD		LUMEN OUTPUT (tq= 25 °C)	
LED	colour	weight	code	W tot	K - ølm - CRI - degrees
COB	white	0,30	22167311-00	10	4000K - 990lm - CRI 92 - 60°
			22167310-00		3000K - 957lm - CRI 92 - 60°

Universally applicable, suitable to replace downlights with cut out diameters ranging from 88mm to 100mm.  
**Upon request:** 15° - 38° version; 2700K / 5000K LED version.



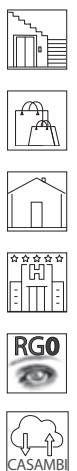
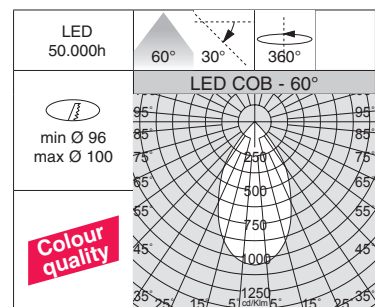
Universal version with the possibility to rotate the optical compartment around both axes: 360° vertically and ±30° horizontally.



CRI 92

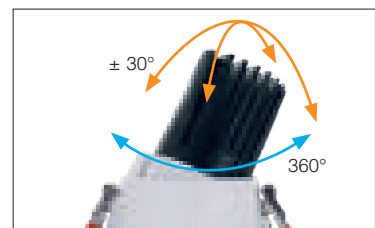


**Housing:** made of die-cast aluminium.  
**Lens:** in PMMA with high efficiency output and very low glare rate.  
**LED:** luminous flux maintenance 80%: 50.000h (L80B20).  
 Power factor >0.9.



iSpot Architectural 2					
		CLD		LUMEN OUTPUT (tq= 25 °C)	
LED	colour	weight	code	W tot	K - ølm - CRI - degrees
COB	white	0,30	22167411-00	10	4000K - 990lm - CRI 92 - 60°
			22167410-00		3000K - 957lm - CRI 92 - 60°

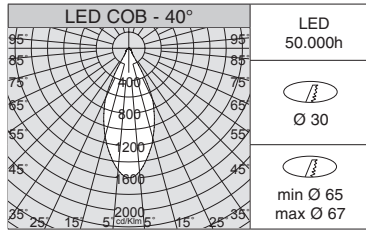
Universally applicable, suitable to replace downlights with cut out diameters ranging from 96mm to 100mm.  
**Upon request:** 15° - 38° version; 2700K / 5000K LED version.



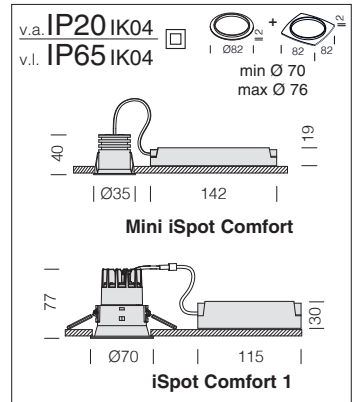
Universal version with the possibility to rotate the optical compartment around both axes: 360° vertically and ±30° horizontally.

Protection guard for iSpot Architectural	
black	22095130-00
For insulation in the ceiling.	





Upon request: available in white/orange, black, black/orange and black/gold colour version.



**Housing:** made of die-cast aluminium and polycarbonate reflector.

**LED:** luminous flux maintenance 80%: 50.000h (L80B20). Power factor >0.9.

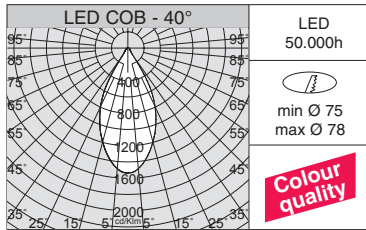
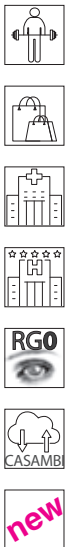
**New Mini iSpot Comfort**

		CLD		LUMEN OUTPUT (tq= 25 °C)	
LED	colour	weight	code	W tot	K - ølm - CRI - degrees
COB	white	0,15	22168510-00	3	3000K - 180lm - CRI>90 - 36°

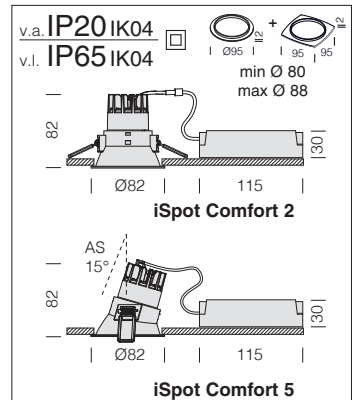
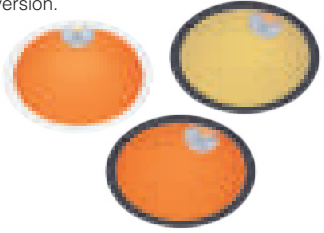
**New iSpot Comfort 1**

		CLD		CLD D-DIG (DALI)		LUMEN OUTPUT (tq= 25 °C)	
LED	colour	weight	code	code	W tot	K - ølm - CRI - degrees	
COB	white	0,20	22168010-00	22168010-1241	8	3000K - 700lm - CRI>90 - 40°	

Universally applicable, suitable to replace downlights with cut out diameters ranging from 65 mm to 67 mm . The **supplied ring** can act as both an aesthetic finishing and to cover fitting holes with greater diameters from 70 mm to 76 mm .



Upon request: available in white/orange, black/orange and black/gold colour version.



**Housing:** made of die-cast aluminium and polycarbonate reflector.

**LED:** luminous flux maintenance 80%: 50.000h (L80B20). Power factor >0.9.

**New iSpot Comfort 2**

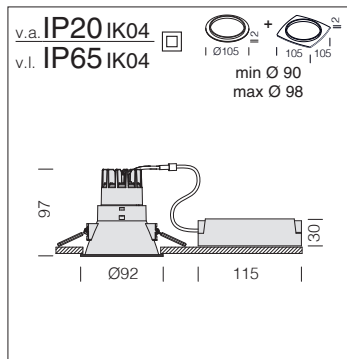
		CLD		CLD D-DIG (DALI)		LUMEN OUTPUT (tq= 25 °C)	
LED	colour	weight	code	code	W tot	K - ølm - CRI - degrees	
COB	white	0,20	22168110-00	22168110-1241	8	3000K - 760lm - CRI>90 - 40°	
	black		22168130-00	22168130-1241		3000K - 620lm - CRI>90 - 40°	

Universally applicable, suitable to replace downlights with cut out diameters ranging from 75 mm to 78 mm . The **supplied ring** can act as both an aesthetic finishing and to cover fitting holes with greater diameters from 80 mm to 88 mm .

**New iSpot Comfort 5 - FIXED asymmetric**

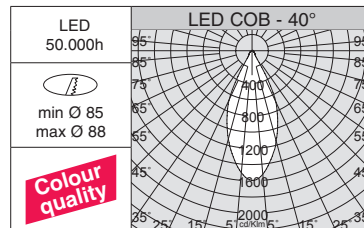
		CLD		CLD D-DIG (DALI)		LUMEN OUTPUT (tq= 25 °C)	
LED	colour	weight	code	code	W tot	K - ølm - CRI - degrees	
COB	white	0,20	22168410-00	22168410-1241	8	3000K - 760lm - CRI>90 - 45°	
	black		22168430-00	22168430-1241		3000K - 620lm - CRI>90 - 45°	

Version with fixed 15° asymmetric housing. Universally applicable, suitable to replace downlights with cut out diameters ranging from 75 mm to 78 mm . The **supplied ring** can act as both an aesthetic finishing and to cover fitting holes with greater diameters from 80 mm to 88 mm .

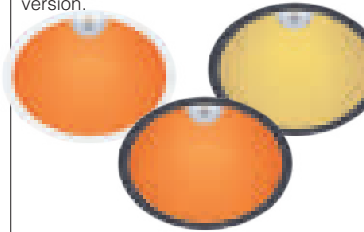


**Housing:** made of die-cast aluminium and polycarbonate reflector.

**LED:** luminous flux maintenance 80%: 50.000h (L80B20). Power factor >0.9.



**Upon request:** available in white/orange, black/ orange and black/gold colour version.



RECESSED DOWNLIGHTS

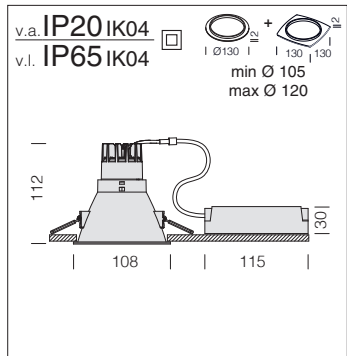
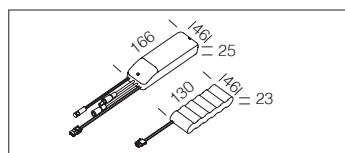
**New iSpot Comfort 3**

		CLD		CLD D-DIG (DALI)		LUMEN OUTPUT (tq= 25 °C)	
LED	colour	weight	code	code	W tot	K - ølm - CRI - degrees	
COB	white	0,20	22168210-00	22168210-1241	8	3000K - 720lm - CRI>90 - 40°	
	black		22168230-00	22168230-1241		3000K - 600lm - CRI>90 - 40°	

Universally applicable, suitable to replace downlights with cut out diameters ranging from 85 mm to 88 mm . The **supplied ring** can act as both an aesthetic finishing and to cover fitting holes with greater diameters from 90 mm to 98 mm .

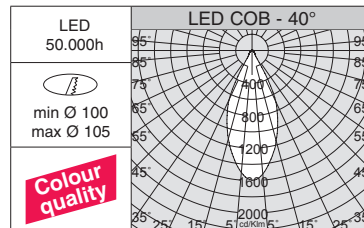
EM power kit	
1h	22096015-00
3h	22096033-00

EM (emergency) lamp power kit complete with connectors.



**Housing:** made of die-cast aluminium and polycarbonate reflector.

**LED:** luminous flux maintenance 80%: 50.000h (L80B20). Power factor >0.9.



**Upon request:** available in white/orange, black, black/ orange and black/gold colour version.



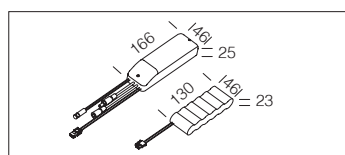
**New iSpot Comfort 4**

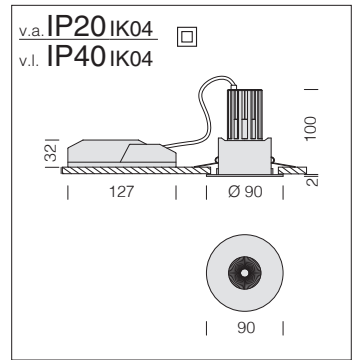
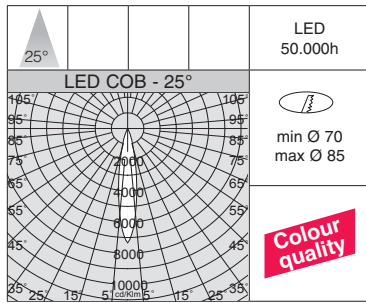
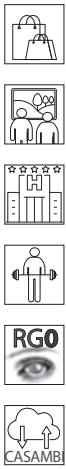
		CLD		CLD D-DIG (DALI)		LUMEN OUTPUT (tq= 25 °C)	
LED	colour	weight	code	code	W tot	K - ølm - CRI - degrees	
COB	white	0,25	22168310-00	22168310-1241	8	3000K - 720lm - CRI>90 - 40°	

Universally applicable, suitable to replace downlights with cut out diameters ranging from 100 mm to 105 mm . The **supplied ring** can act as both an aesthetic finishing and to cover fitting holes with greater diameters from 105 mm to 102 mm .

EM power kit	
1h	22096015-00
3h	22096033-00

EM (emergency) lamp power kit complete with connectors.





**Housing:** made of die-cast aluminium.

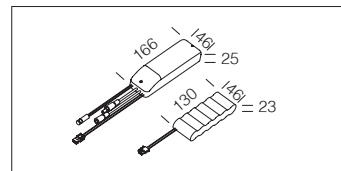
**Lens:** in PMMA with high efficiency output and very low glare rate.

**LED:** luminous flux maintenance 80% 50.000h (L80B20). Power factor >0.9.

**Upon request:**

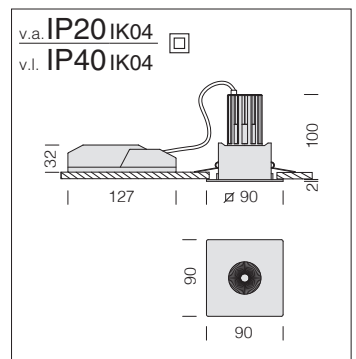
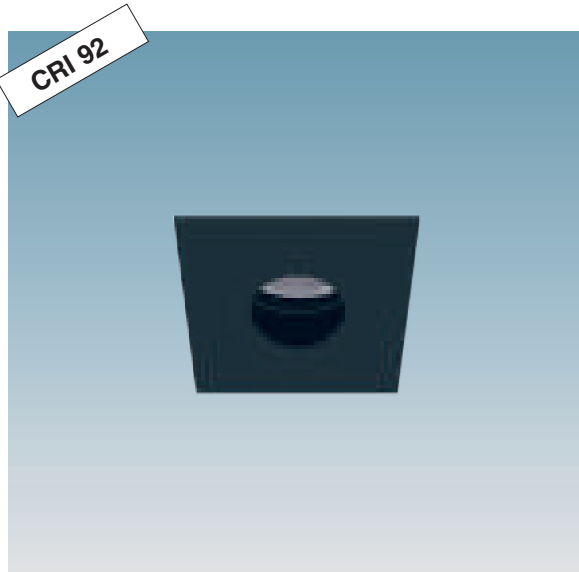
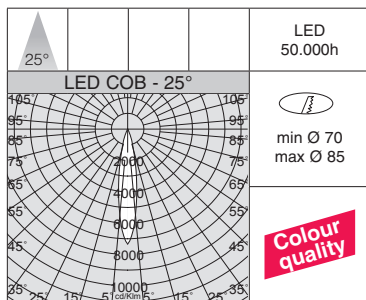
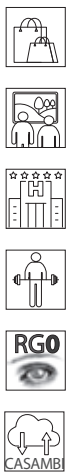
- available DIMM-DALI version.
- available 2700K / 5000K LED version.

iSpot Hotel 1					
LED	colour	weight	CLD code	W tot	LUMEN OUTPUT (tq= 25 °C) K - ølm - CRI - degrees
COB	white	0,30	22067711-00	10	4000K - 478lm - CRI 92 - 25°
	black		22067730-68		
COB	white	0,30	22067710-00	10	3000K - 413lm - CRI 92 - 25°
	black		22067730-00		



EM power kit	
1h	22096015-00
3h	22096033-00

EM (emergency) lamp power kit complete with connectors.



**Housing:** made of die-cast aluminium.

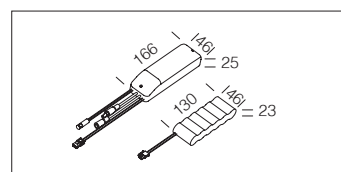
**Lens:** in PMMA with high efficiency output and very low glare rate.

**LED:** luminous flux maintenance 80% 50.000h (L80B20). Power factor >0.9.

**Upon request:**

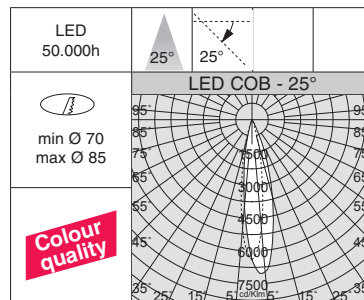
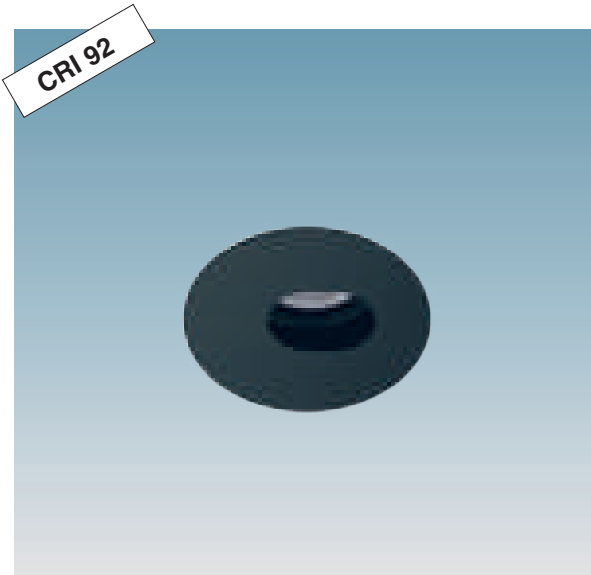
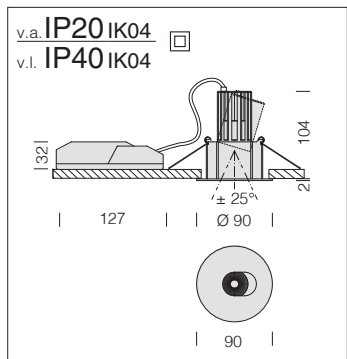
- available DIMM-DALI version.
- available 2700K / 5000K LED version.

iSpot Hotel 2					
LED	colour	weight	CLD code	W tot	LUMEN OUTPUT (tq= 25 °C) K - ølm - CRI - degrees
COB	white	0,30	22067713-00	10	4000K - 478lm - CRI 92 - 25°
	black		22067732-68		
COB	white	0,30	22067712-00	10	3000K - 413lm - CRI 92 - 25°
	black		22067732-00		



EM power kit	
1h	22096015-00
3h	22096033-00

EM (emergency) lamp power kit complete with connectors.



**Housing:** made of die-cast aluminium.

**Lens:** in PMMA with high efficiency output and very low glare rate.

**Adjustable:** ideal to light up walls or decor items.

**LED:** luminous flux maintenance 80% 50.000h (L80B20). Power factor >0.9.

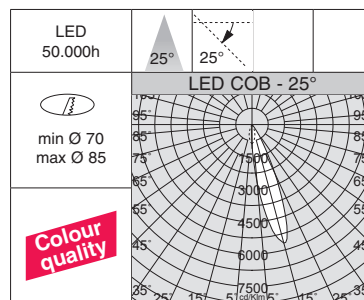
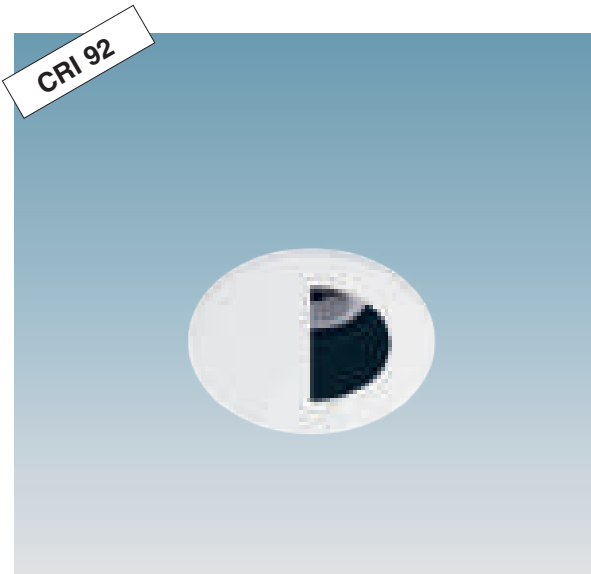
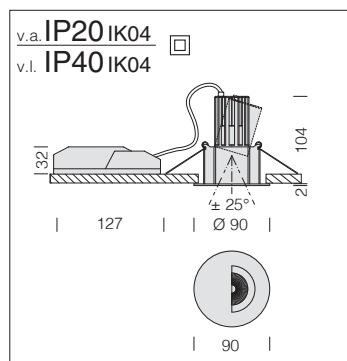
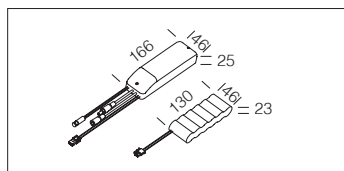
**Upon request:**

- available DIMM-DALI version.
- available 2700K / 5000K LED version.

iSpot Hotel 3 - adjustable					
		CLD		LUMEN OUTPUT (tq= 25 °C)	
LED	colour	weight	code	W tot	K - ølm - CRI - degrees
COB	white	0,30	22067911-00	10	4000K - 441lm - CRI 92 - 25°
	black		22067930-68		
COB	white	0,30	22067910-00	10	3000K - 380lm - CRI 92 - 25°
	black		22067930-00		

EM power kit	
1h	22096015-00
3h	22096033-00

EM (emergency) lamp power kit complete with connectors.



**Housing:** made of die-cast aluminium.

**Lens:** in PMMA with high efficiency output and very low glare rate.

**Adjustable:** ideal to light up walls or decor items.

**LED:** luminous flux maintenance 80% 50.000h (L80B20). Power factor >0.9.

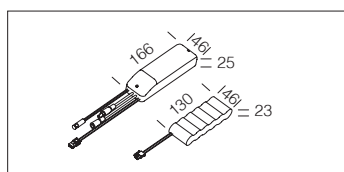
**Upon request:**

- available DIMM-DALI version.
- available 2700K / 5000K LED version.

iSpot Hotel 4 - adjustable					
		CLD		LUMEN OUTPUT (tq= 25 °C)	
LED	colour	weight	code	W tot	K - ølm - CRI - degrees
COB	white	0,30	22067913-00	10	4000K - 500lm - CRI 92 - 25°
	black		22067932-68		
COB	white	0,30	22067912-00	10	3000K - 433lm - CRI 92 - 25°
	black		22067932-00		

EM power kit	
1h	22096015-00
3h	22096033-00

EM (emergency) lamp power kit complete with connectors.



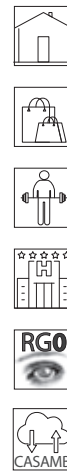
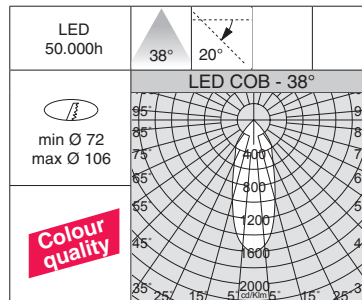
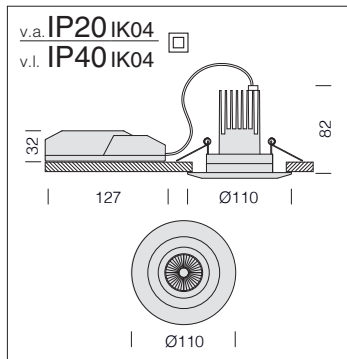
Flexibility, saving and light quality. These are the strengths of this new downlight with latest generation LEDs. In addition to colour temperatures ranging, it has a long service life (50.000 hours) and excellent luminous flux maintenance.

**Housing:** made in aluminium, adjustable with springs.

**LED:** luminous flux maintenance 80%: 50.000h (L80B20). Power factor >0.9.

**Upon request:** version with CA-SAMBI automation lighting control system (fixtures **to be installed in NON-METALLIC false ceilings/panels**).

For further information see chapter *Technical components*.



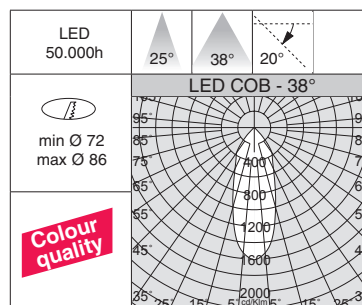
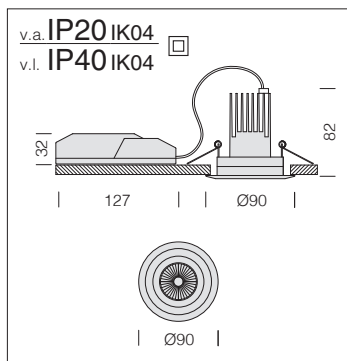
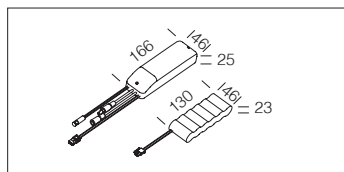
**Upon request:**

- available DIMM-DALI version.
- available 5000K LED version.
- available **25°** version with sub-code -0031
- available **60°** version with sub-code -0032

Low Glare 1					
LED	colour	weight	CLD code	W tot	LUMEN OUTPUT (tq= 25 °C) K - ølm - CRI - degrees
COB	alu. matt nat.	0,30	22061474-00	10	4000K - 1100lm - <b>CRI 92</b> - 38°
	white		22061414-00		
COB	alu. matt nat.	0,30	22061470-00	10	3000K - 990lm - <b>CRI 92</b> - 38°
	white		22061410-00		
COB	alu. matt nat.	0,30	22061475-00	10	2750K - 800lm - CRI 83 - 38°

EM power kit	
1h	22096015-00
3h	22096033-00

EM (emergency) lamp power kit complete with connectors.



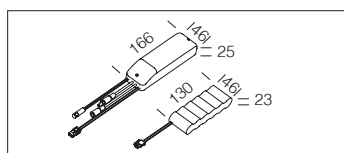
**Upon request:**

- available DIMM-DALI version.
- available 5000K LED version.
- available **38°** version with sub-code -0089.
- available **60°** version with sub-code -0032.

Low Glare 2					
LED	colour	weight	CLD code	W tot	LUMEN OUTPUT (tq= 25 °C) K - ølm - CRI - degrees
COB	alu. matt nat.	0,30	22061479-00	10	4000K - 1100lm - <b>CRI 92</b> - 38°
	white		22061419-00		
COB	alu. matt nat.	0,30	22061477-00	10	3000K - 990lm - <b>CRI 92</b> - 25°
	white		22061417-00		
COB	alu. matt nat.	0,30	22066777-00	10	3000K - 990lm - <b>CRI 92</b> - 38°
	white		22066717-00		
COB	alu. matt nat.	0,30	22061472-00	10	2750K - 900lm - <b>CRI 92</b> - 38°

EM power kit	
1h	22096015-00
3h	22096033-00

EM (emergency) lamp power kit complete with connectors.



Protection guard for Low Glare 1-2	
black	22095130-00

For insulation in the ceiling.





Adjustable recessed spotlights for stores, homes and accommodation facilities. These new spotlights meet the multiple needs of lighting designers who have completely changed the way they light and decorate interiors. Nowadays the primary goal is to obtain the best visual comfort, giving light different meanings based on the type of space in which light is used.

**Housing:** in die-cast aluminium with spring clips for recessed mounting.

**Heat sink:** passive, pressed in die-cast aluminium for greater circulation of heat to ensure an extended life of the LED module.

**Coating:** Power-coated with a UV-resistant polyester epoxy paint.

**Regulations:** Manufactured in accordance with EN 60598-1-CEI 34.21 standards. Degrees of protection in accordance with EN60529 standards.

**LED:** high-efficiency light sources (**CRI>90**).

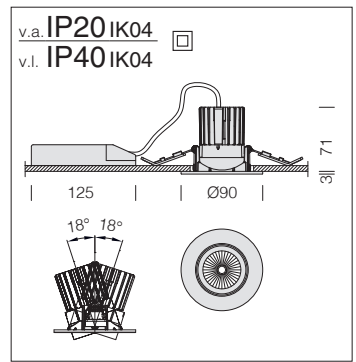
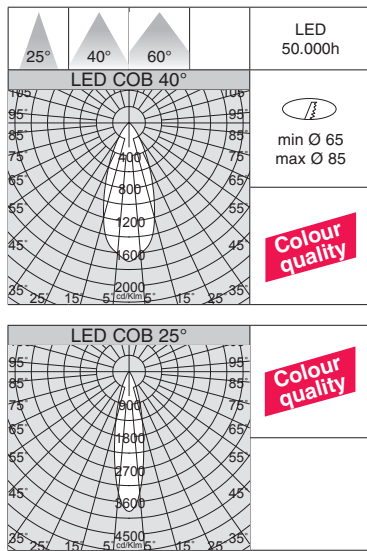
**Upon request:** version with CASAMBI automation lighting control system (fixtures **to be installed in NON-METALLIC false ceilings/panels**).  
For further information see chapter *Technical components*.





The right lighting and fixture play a vital role in facilitating sales. This is the reason why LED fixtures with a **CRI>90** are being requested. Therefore, the current trend is geared towards the manufacturing of more flexible fixtures, which also emit an excellent quality of light, while guaranteeing remarkable energy savings and lower maintenance costs.

The Colour Rendering Index (**CRI**) indicates how truthfully the artificial light source is able to reproduce the colours of objects. It varies from a range of **0 to 100**, where **0 represents the minimum** and **100 is the maximum**. Daylight is the best source of light from a physiological point of view because it contains the full colour spectrum. Therefore, a lamp with a high colour rendering index is very important to ensure the wellbeing and comfort of the occupants of a room and it is absolutely necessary in rooms where good visibility is required.



v.a. IP20 IK04  
v.l. IP40 IK04

**Lens:** in PMMA with high efficiency output and very low glare rate.

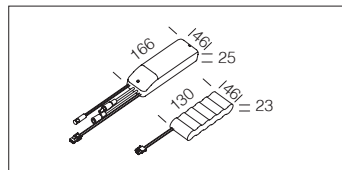
**Upon request:** available DIMM-DALI version.



Sun T - 3000K - CRI 93 - energy saving						
LED	colour	weight	CLD code	CLD-D (1-10V PUSH) code	W tot	LUMEN OUTPUT (tq= 25 °C) K - ølm - CRI - degrees
COB	white	0,30	22066304-00	22066304-12	9	3000K - 1000lm - CRI 93 - 25°
			22066311-00	22066311-12		3000K - 1000lm - CRI 93 - 40°
			22066312-00	22066312-12		3000K - 950lm - CRI 93 - 60°
COB	silver	0,30	22066305-00	22066305-12	9	3000K - 1000lm - CRI 93 - 25°
			22066361-00	22066361-12		3000K - 1000lm - CRI 93 - 40°
			22066362-00	22066362-12		3000K - 950lm - CRI 93 - 60°



Sun T - 4000K - CRI 91 - energy saving						
LED	colour	weight	CLD code	CLD-D (1-10V PUSH) code	W tot	LUMEN OUTPUT (tq= 25 °C) K - ølm - CRI - degrees
COB	white	0,30	22066302-00	22066302-12	9	4000K - 1100lm - CRI 91 - 25°
			22066316-00	22066316-12		4000K - 1100lm - CRI 91 - 40°
			22066317-00	22066317-12		4000K - 1050lm - CRI 91 - 60°
COB	silver	0,30	22066303-00	22066303-12	9	4000K - 1100lm - CRI 91 - 25°
			22066363-00	22066363-12		4000K - 1100lm - CRI 91 - 40°
			22066364-00	22066364-12		4000K - 1050lm - CRI 91 - 60°

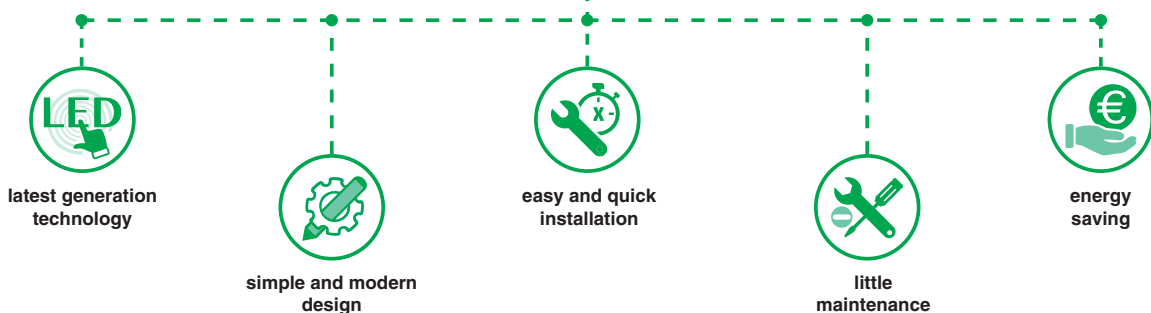


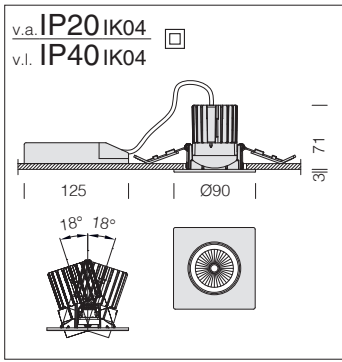
EM power kit	
1h	22096015-00
3h	22096033-00

EM (emergency) lamp power kit complete with connectors.

The **energy saving** range was born to meet the growing need of our customers for combining energy savings with the lighting performance guaranteed by our products. These luminaires offer all the technical and lighting characteristics required to ensure the correct illumination of spaces and boast a simple yet modern design, high quality light output, energy-efficiency and the most important advantages of the LED technology

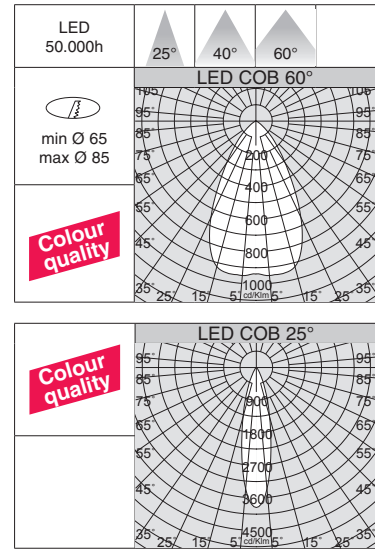
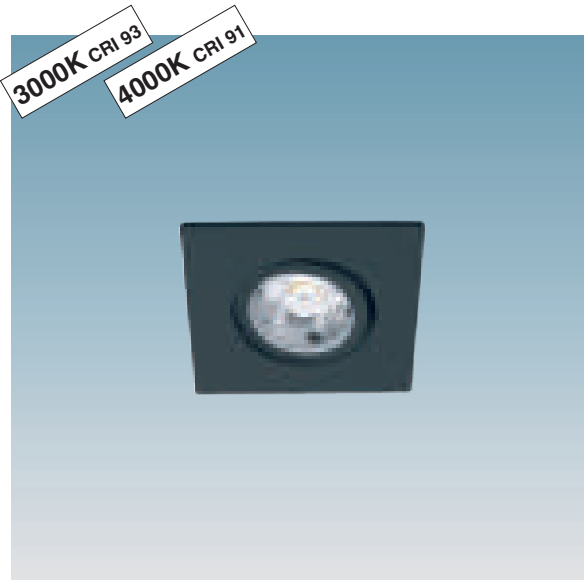
**Main characteristics**





**Lens:** in PMMA with high efficiency output and very low glare rate.

**Upon request:** available DIMM-DALI version.



RECESSED DOWNLIGHTS

Sun Q - 3000K - CRI 93 - energy saving						
LED	colour	weight	CLD code	CLD-D (1-10V PUSH) code	W tot	LUMEN OUTPUT (tq= 25 °C) K - ølm - CRI - degrees
COB	white	0,30	22066610-00	22066610-12	9	3000K - 1000lm - CRI 93 - 25°
			22066619-00	22066619-12		3000K - 1000lm - CRI 93 - 40°
			22066612-00	22066612-12		3000K - 950lm - CRI 93 - 60°
COB	black	0,30	22066630-00	22066630-12	9	3000K - 1000lm - CRI 93 - 25°
			22066639-00	22066639-12		3000K - 1000lm - CRI 93 - 40°
			22066632-00	22066632-12		3000K - 950lm - CRI 93 - 60°

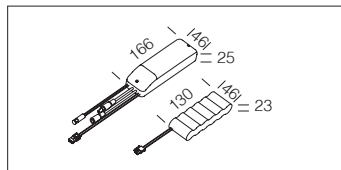


Sun Q - 4000K - CRI 91 - energy saving						
LED	colour	weight	CLD code	CLD-D (1-10V PUSH) code	W tot	LUMEN OUTPUT (tq= 25 °C) K - ølm - CRI - degrees
COB	white	0,30	22066613-00	22066613-12	9	4000K - 1100lm - CRI 91 - 25°
			22066618-00	22066618-12		4000K - 1100lm - CRI 91 - 40°
			22066614-00	22066614-12		4000K - 1050lm - CRI 91 - 60°
COB	black	0,30	22066633-00	22066633-12	9	4000K - 1100lm - CRI 91 - 25°
			22066638-00	22066638-12		4000K - 1100lm - CRI 91 - 40°
			22066634-00	22066634-12		4000K - 1050lm - CRI 91 - 60°



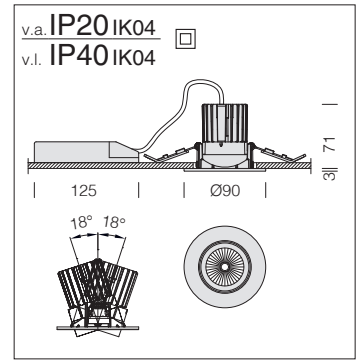
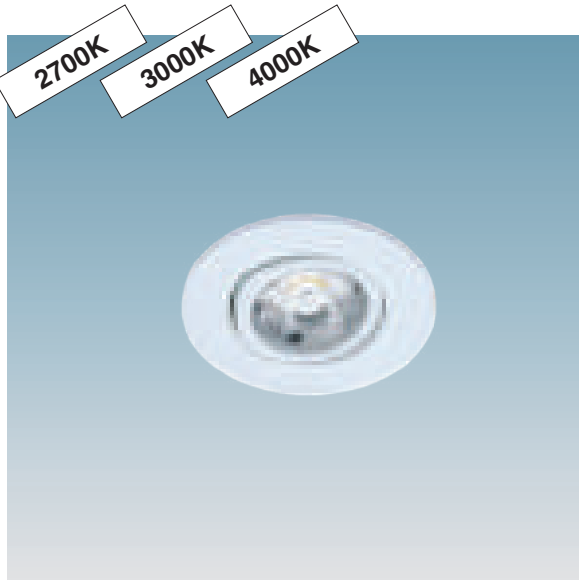
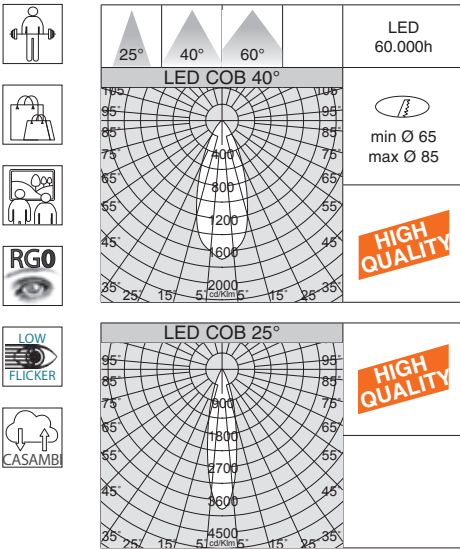
EM power kit	
1h	22096015-00
3h	22096033-00

EM (emergency) lamp power kit complete with connectors.



In retail units, from big shopping centres to small shops, light is the central element around which the interior space is arranged and it is used to improve the display of goods and create tailored lighting systems to make the brand always recognisable. In the accommodation and leisure facilities (hotels, bars, restaurants), light is an important element to develop a tailored and well-recognisable style.





**Lens:** in PMMA with high efficiency output and very low glare rate.

**Upon request:** available DIMM-DALI version.

**LED:**  
60.000h (L90B10)

Sun T - 2700K - CRI>95 - high quality						
LED	colour	weight	CLD	CLD-D (1-10V PUSH)	W tot	LUMEN OUTPUT (tq= 25 °C)
			code	code		K - ølm - CRI - degrees
COB	white	0,30	22066301-00	22066301-12	9	2700K HQ - 788lm - CRI>95 - 25°
			22066318-00	22066318-12		2700K HQ - 788lm - CRI>95 - 40°
			22066319-00	22066319-12		2700K HQ - 735lm - CRI>95 - 60°
COB	silver	0,30	22066306-00	22066306-12	9	2700K HQ - 788lm - CRI>95 - 25°
			22066365-00	22066365-12		2700K HQ - 788lm - CRI>95 - 40°
			22066366-00	22066366-12		2700K HQ - 735lm - CRI>95 - 60°

**LED:**  
60.000h (L90B10)

Sun T - 3000K - CRI>95 - high quality						
LED	colour	weight	CLD	CLD-D (1-10V PUSH)	W tot	LUMEN OUTPUT (tq= 25 °C)
			code	code		K - ølm - CRI - degrees
COB	white	0,30	22065512-00	22065512-12	9	3000K HQ - 850lm - CRI>95 - 25°
			22065514-00	22065514-12		3000K HQ - 850lm - CRI>95 - 40°
			22065513-00	22065513-12		3000K HQ - 782lm - CRI>95 - 60°
COB	silver	0,30	22065562-00	22065562-12	9	3000K HQ - 850lm - CRI>95 - 25°
			22065564-00	22065564-12		3000K HQ - 850lm - CRI>95 - 40°
			22065563-00	22065563-12		3000K HQ - 782lm - CRI>95 - 60°

**LED:**  
60.000h (L90B10)

Sun T - 4000K - CRI>95 - high quality						
LED	colour	weight	CLD	CLD-D (1-10V PUSH)	W tot	LUMEN OUTPUT (tq= 25 °C)
			code	code		K - ølm - CRI - degrees
COB	white	0,30	22065510-00	22065510-12	9	4000K HQ - 901lm - CRI>95 - 25°
			22065515-00	22065515-12		4000K HQ - 901lm - CRI>95 - 40°
			22065511-00	22065511-12		4000K HQ - 830lm - CRI>95 - 60°
COB	silver	0,30	22065560-00	22065560-12	9	4000K HQ - 901lm - CRI>95 - 25°
			22065565-00	22065565-12		4000K HQ - 901lm - CRI>95 - 40°
			22065561-00	22065561-12		4000K HQ - 830lm - CRI>95 - 60°

High-efficiency light **LED HIGH QUALITY** sources (CRI>95). The LED series was designed with a new technology that ensures uniform colour saturation. This is why these lamps are particularly suited in settings where reflections, transparencies, good colour and white quality are very important.

**Light evolution**

Compared to a conventional light source, the LED **HIGH QUALITY** series ensures perfectly saturated colours and is capable of representing the entire range of hues. In addition, this product is ideal to display the texture of objects and improves the viewer's overall impression of the illuminated object.

**Much more vividness for LED lighting**

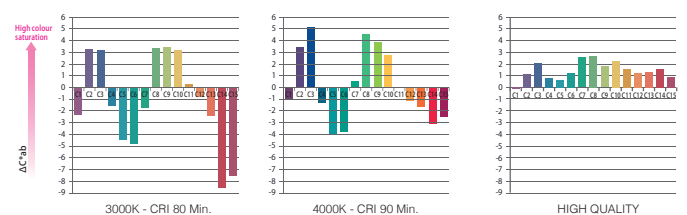
In addition to LEDs that allow high colour rendering indexes, the market is also demanding LEDs capable of enhancing the colours of objects, making them look more vivid and bright.

**Colour Saturation**

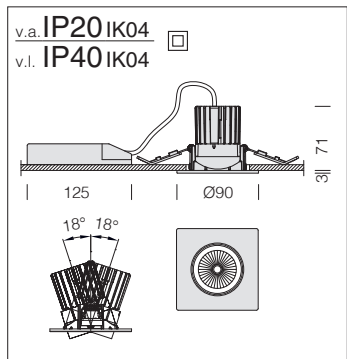
The LED **HIGH QUALITY** series was developed based on a new parameter of "Colour Saturation", so that an illuminated object appears more beautiful in the visible light domain.

**Evaluation of colour saturation**

The LED **HIGH QUALITY** source maintains the ΔC\*ab value in the positive zone, so as to bring out the original colours of the illuminated object.

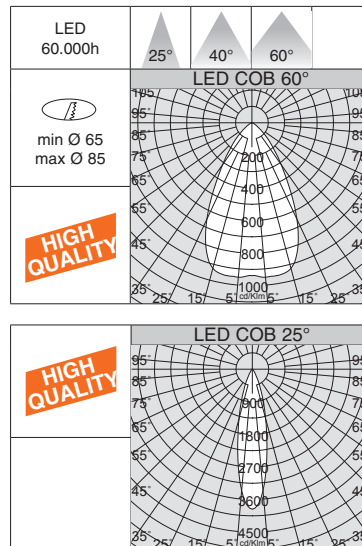


ΔC\*ab is an index that represents the chroma difference.



**Lens:** in PMMA with high efficiency output and very low glare rate.

**Upon request:** available DIMM-DALI version.



RECESSED DOWNLIGHTS

Sun Q - 2700K - CRI>95 - high quality						
LED	colour	weight	CLD code	CLD-D (1-10V PUSH) code	W tot	LUMEN OUTPUT (tq= 25 °C)
COB	white	0,30	22066615-00	22066615-12	9	2700K HQ - 788lm - CRI>95 - 25°
			22066617-00	22066617-12		2700K HQ - 788lm - CRI>95 - 40°
			22066616-00	22066616-12		2700K HQ - 735lm - CRI>95 - 60°
COB	silver	0,30	22066665-00	22066665-12	9	2700K HQ - 788lm - CRI>95 - 25°
			22066667-00	22066667-12		2700K HQ - 788lm - CRI>95 - 40°
			22066666-00	22066666-12		2700K HQ - 735lm - CRI>95 - 60°



**LED:**  
60.000h (L90B10)

Sun Q - 3000K - CRI>95 - high quality						
LED	colour	weight	CLD code	CLD-D (1-10V PUSH) code	W tot	LUMEN OUTPUT (tq= 25 °C)
COB	white	0,30	22065812-00	22065812-12	9	3000K HQ - 850lm - CRI>95 - 25°
			22065814-00	22065814-12		3000K HQ - 850lm - CRI>95 - 40°
			22065813-00	22065813-12		3000K HQ - 782lm - CRI>95 - 60°
COB	silver	0,30	22065862-00	22065862-12	9	3000K HQ - 850lm - CRI>95 - 25°
			22065861-00	22065861-12		3000K HQ - 850lm - CRI>95 - 40°
			22065863-00	22065863-12		3000K HQ - 782lm - CRI>95 - 60°



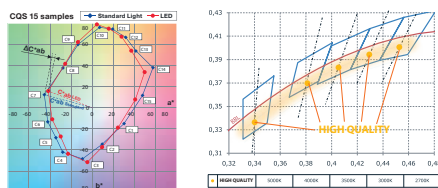
**LED:**  
60.000h (L90B10)

Sun Q - 4000K - CRI>95 - high quality						
LED	colour	weight	CLD code	CLD-D (1-10V PUSH) code	W tot	LUMEN OUTPUT (tq= 25 °C)
COB	white	0,30	22065810-00	22065810-12	9	4000K HQ - 901lm - CRI>95 - 25°
			22065815-00	22065815-12		4000K HQ - 901lm - CRI>95 - 40°
			22065811-00	22065811-12		4000K HQ - 830lm - CRI>95 - 60°
COB	silver	0,30	22065860-00	22065860-12	9	4000K HQ - 901lm - CRI>95 - 25°
			22065864-00	22065864-12		4000K HQ - 901lm - CRI>95 - 40°
			22065865-00	22065865-12		4000K HQ - 830lm - CRI>95 - 60°



**LED:**  
60.000h (L90B10)

15 colours in the Colour Quality Scale (CQS) measured by the CIELAB allow the measurement of the saturation of colours against a standard lighting source.



$\Delta C^*_{ab} = C^*_{ab} \text{ LED} - C^*_{ab} \text{ standard light source}$   
each value is measured in 15 points.  
 $\Delta C^*_{ab} > 0$  = high colour saturation  
 $\Delta C^*_{ab} < 0$  = low colour saturation

In different commercial sectors, lighting systems should meet specific requirements, such as for example, emphasise the colour of food or create the right setting for displaying garments, household articles as well as the most exclusive items.

VERSION	CATEGORY	CHARACTERISTICS
2700K - CRI>95	Bread, bakery, cheese and dairy products	Warm golden light enhances the feeling of freshly made bread and makes cheese and dairy products look more inviting.
3000K - CRI>95	Meat and meat products, fresh fruit and vegetable, clothing, household items and appliances	White warm light enhances the reds of meats and makes fruit and vegetables look fresher, displaying more saturated colours, enhancing the appearance and the characteristics of the wares on display.
4000K - CRI>95	Fish and shellfish, jewellery, showrooms	Cold white light makes whites look cleaner and brighter, eliminating the yellowing effect of conventional LED lamps and enhancing the human eye's perception of "pure white".



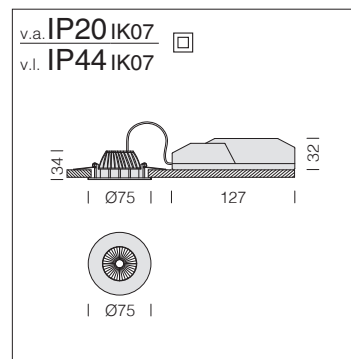
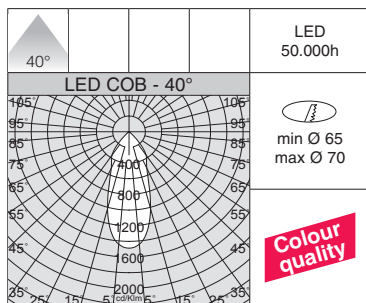
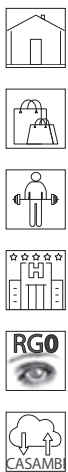
Range of small, fixed and adjustable LED downlights.

**Marte** is a recessed LED fixtures, most suitable for installation in confined spaces, such as false ceilings, furniture and display cases.

Their LED sources allow considerable energy savings and excellent quality light emission.

**Upon request:** version with CASAMBI automation lighting control system (fixtures **to be installed in NON-METALLIC false ceilings/panels**).

For further information see chapter *Technical components*.

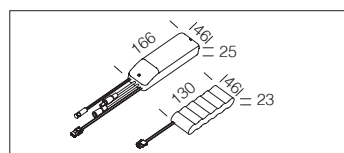


**Housing:** made of die-cast aluminium complete with spring clips for recessed mounting.

**Reflector:** high-efficiency metallised polycarbonate.

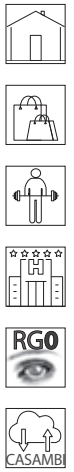
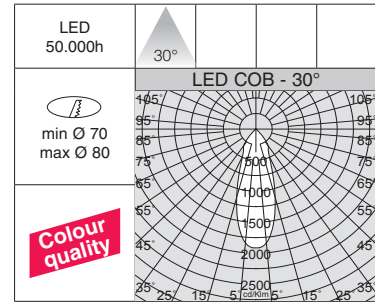
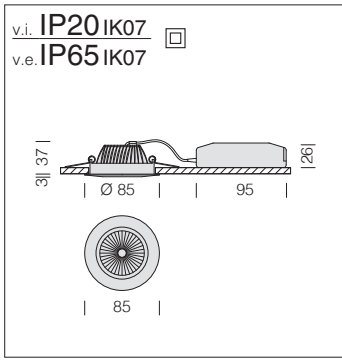
**LED:** luminous flux maintenance 80%: 50.000h (L80B20). Power factor >0.9.

Marte 8					
		CLD		LUMEN OUTPUT (tq= 25 °C)	
LED	colour	weight	code	W tot	K - ølm - CRI - degrees
COB	white	0,25	22061818-68	5	4000K - 517lm - CRI 92 - 40°
			22061818-00		3000K - 483lm - CRI 92 - 40°



EM power kit	
1h	22096015-00
3h	22096033-00

EM (emergency) lamp power kit complete with connectors.



**Housing:** made of die-cast aluminium complete with spring clips for recessed mounting.

**Reflector:** high-efficiency metallised polycarbonate.

**Equipment:** silicone rubber protection gasket compliant with French low-energy building standards (BBC).

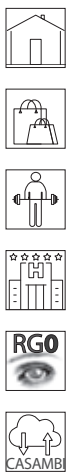
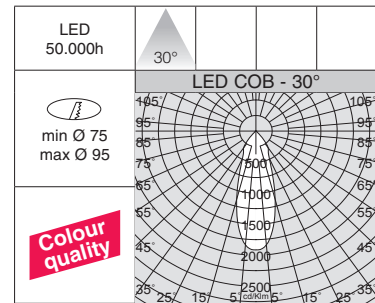
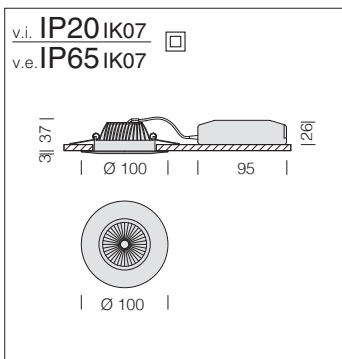
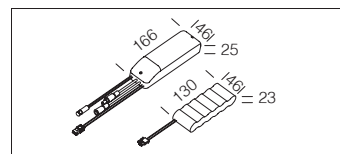
**Standards:** manufactured pursuant to EN 60598-1-CEI 34.21 and with a degree of protection pursuant to EN 60529.

**LED:** luminous flux maintenance 80%: 50.000h (L80B20). Power factor >0.9.

Marte 4					
		CLD		LUMEN OUTPUT (tq= 25 °C)	
LED	colour	weight	code	W tot	K - ølm - CRI - degrees
COB	white	0,25	22061810-68	5	4000K - 515lm - CRI 92 - 30°
			22061810-00		3000K - 481lm - CRI 92 - 30°

EM power kit	
1h	22096015-00
3h	22096033-00

EM (emergency) lamp power kit complete with connectors.



**Housing:** made of die-cast aluminium complete with spring clips for recessed mounting.

**Reflector:** high-efficiency metallised polycarbonate.

**Equipment:** silicone rubber protection gasket compliant with French low-energy building standards (BBC).

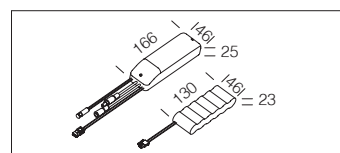
**Standards:** manufactured pursuant to EN 60598-1-CEI 34.21 and with a degree of protection pursuant to EN 60529.

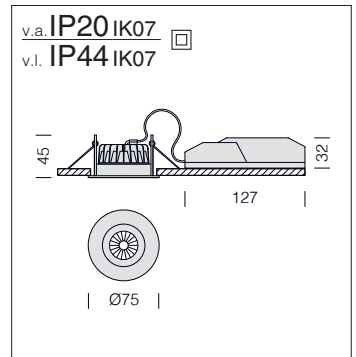
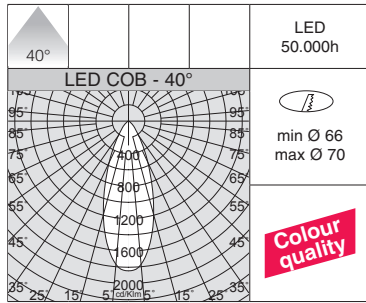
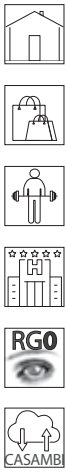
**LED:** luminous flux maintenance 80%: 50.000h (L80B20). Power factor >0.9.

Marte 5					
		CLD		LUMEN OUTPUT (tq= 25 °C)	
LED	colour	weight	code	W tot	K - ølm - CRI - degrees
COB	white	0,25	22061811-68	6	4000K - 687lm - CRI 92 - 30°
			22061811-00		3000K - 642lm - CRI 92 - 30°

EM power kit	
1h	22096015-00
3h	22096033-00

EM (emergency) lamp power kit complete with connectors.



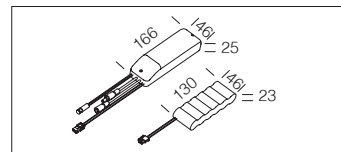


**Housing:** made of die-cast aluminium complete with spring clips for recessed mounting.

**Lens:** in PMMA with high efficiency output and very low glare rat

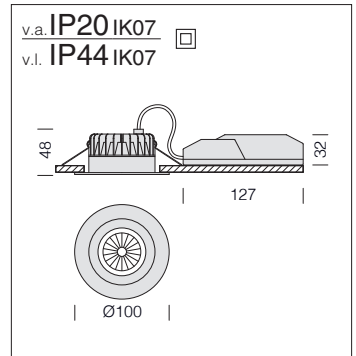
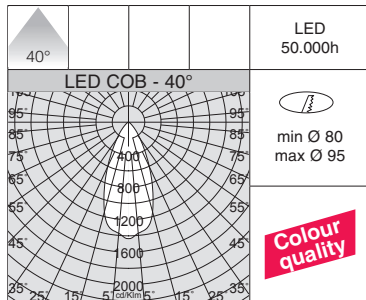
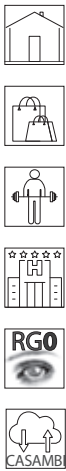
**LED:** luminous flux maintenance 80%: 50.000h (L80B20). Power factor >0.9.

Marte 10					
LED	colour	weight	CLD code	W tot	LUMEN OUTPUT (tq= 25 °C) K - ølm - CRI - degrees
COB	white	0,25	22061801-68	6	4000K - 700lm - CRI 92 - 40°
			22061801-00		3000K - 670lm - CRI 92 - 40°



EM power kit	
1h	22096015-00
3h	22096033-00

EM (emergency) lamp power kit complete with connectors.



**Housing:** made of die-cast aluminium complete with spring clips for recessed mounting.

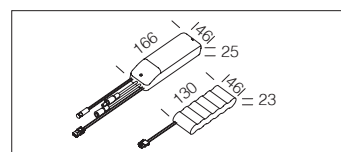
**Lens:** in PMMA with high efficiency output and very low glare rat

**LED:** luminous flux maintenance 80%: 50.000h (L80B20). Power factor >0.9.

Upon request: available in different aesthetic finishes.



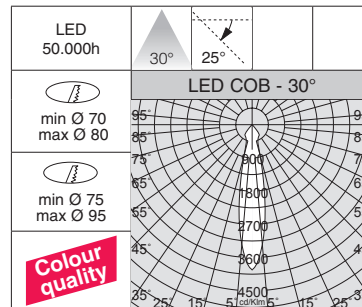
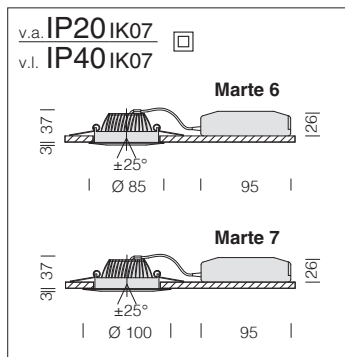
Marte 11					
LED	colour	weight	CLD code	W tot	LUMEN OUTPUT (tq= 25 °C) K - ølm - CRI - degrees
COB	white	0,30	22061802-68	8	4000K - 850lm - CRI 92 - 40°
			22061802-00		3000K - 820lm - CRI 92 - 40°



EM power kit	
1h	22096015-00
3h	22096033-00

EM (emergency) lamp power kit complete with connectors.





**Housing:** made of die-cast aluminium complete with spring clips for recessed mounting.

**Reflector:** high-efficiency metallised polycarbonate.

**Adjustable:** ideal to light up walls or decor items.

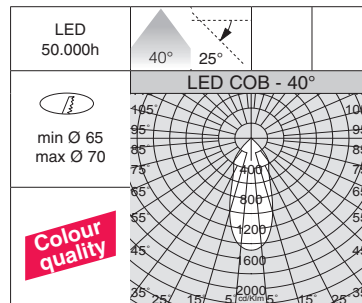
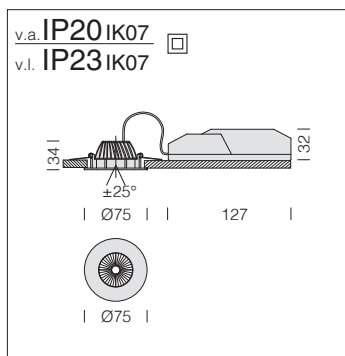
**LED:** luminous flux maintenance 80% 50.000h (L80B20). Power factor >0.9.

Marte 6					
		CLD		LUMEN OUTPUT (tq= 25 °C)	
LED	colour	weight	code	W tot	K - ølm - CRI - degrees
COB	white	0,25	22061813-68	5	4000K - 515lm - CRI 92 - 30°
			22061813-00		3000K - 481lm - CRI 92 - 30°

EM power kit	
1h	22096015-00
3h	22096033-00

EM (emergency) lamp power kit complete with connectors.

Marte 7					
		CLD		LUMEN OUTPUT (tq= 25 °C)	
LED	colour	weight	code	W tot	K - ølm - CRI - degrees
COB	white	0,25	22061814-68	6	4000K - 687lm - CRI 92 - 30°
			22061814-00		3000K - 642lm - CRI 92 - 30°



**Housing:** made of die-cast aluminium complete with spring clips for recessed mounting.

**Reflector:** high-efficiency metallised polycarbonate.

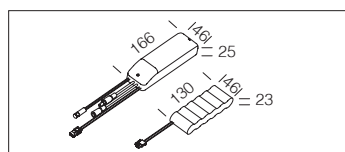
**Adjustable:** ideal to light up walls or decor items.

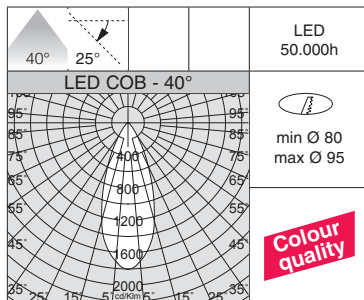
**LED:** luminous flux maintenance 80% 50.000h (L80B20). Power factor >0.9.

Marte 9					
		CLD		LUMEN OUTPUT (tq= 25 °C)	
LED	colour	weight	code	W tot	K - ølm - CRI - degrees
COB	white	0,25	22061819-68	5	4000K - 517lm - CRI 92 - 40°
			22061819-00		3000K - 483lm - CRI 92 - 40°

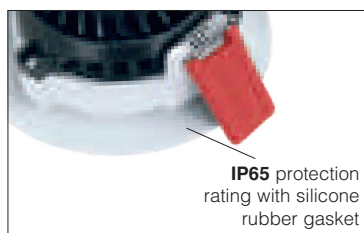
EM power kit	
1h	22096015-00
3h	22096033-00

EM (emergency) lamp power kit complete with connectors.

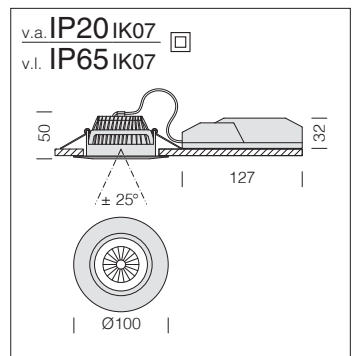




**Colour quality**



**IP65** protection rating with silicone rubber gasket



**Housing:** made of die-cast aluminium complete with spring clips for recessed mounting.

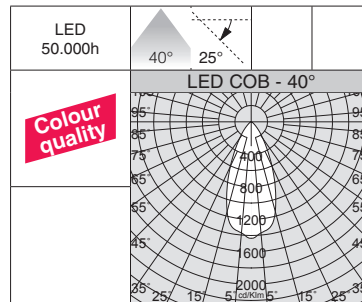
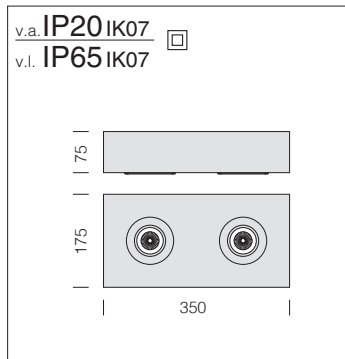
**Lens:** in PMMA with high efficiency output and very low glare rate

**Adjustable:** ideal to light up walls or decor items.

**LED:** luminous flux maintenance 80%: 50.000h (L80B20). Power factor >0.9.

Marte 12					
LED	colour	weight	CLD		LUMEN OUTPUT (tq= 25 °C) K - ølm - CRI - degrees
			code	W tot	
COB	white	0,35	22061804-68	8	4000K - 850lm - <b>CRI 92</b> - 40°
			22061804-00		3000K - 820lm - <b>CRI 92</b> - 40°

Ideal for bathrooms and healthcare facilities.



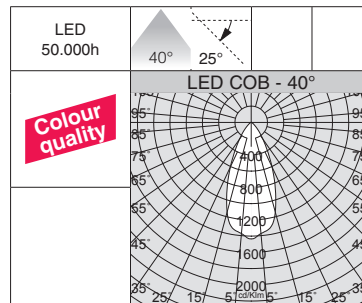
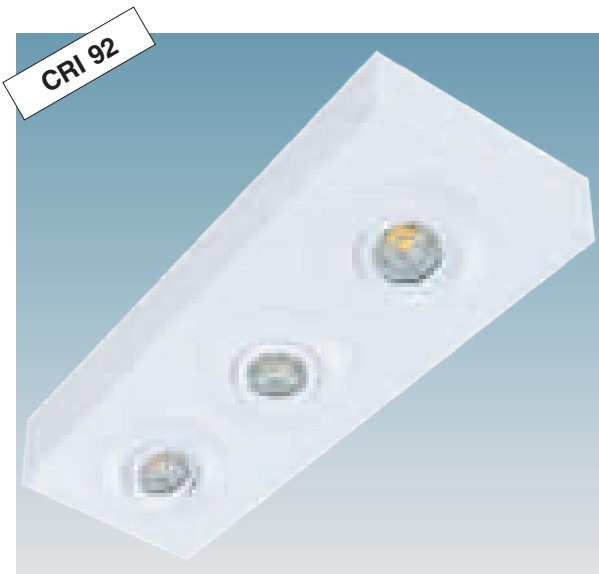
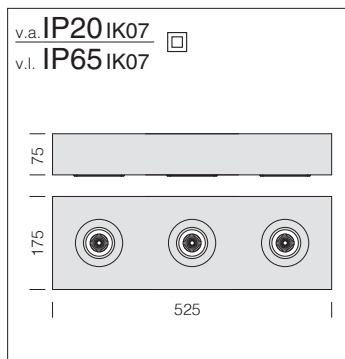
**Frame:** made of aluminium, complete with adjustable downlight ideal to light up walls or decor items.

**Lens:** in PMMA with high efficiency output and very low glare rate.

**LED:** luminous flux maintenance 80%: 50.000h (L80B20). Power factor >0.9.

**Upon request:** possibility to switch lights ON/OFF independently.

Spot Box Marte 2					
		CLD		LUMEN OUTPUT (tq= 25 °C)	
LED	colour	weight	code	W tot	K - ølm - CRI - degrees
COB	white	1,70	22189210-68	16	4000K - 2x850lm - CRI 92 - 40°
			22189210-00		3000K - 2x820lm - CRI 92 - 40°



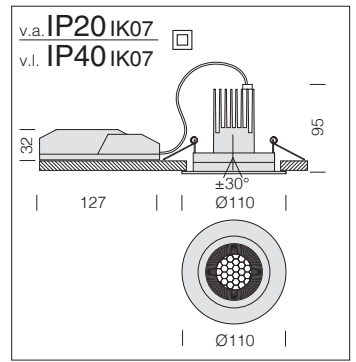
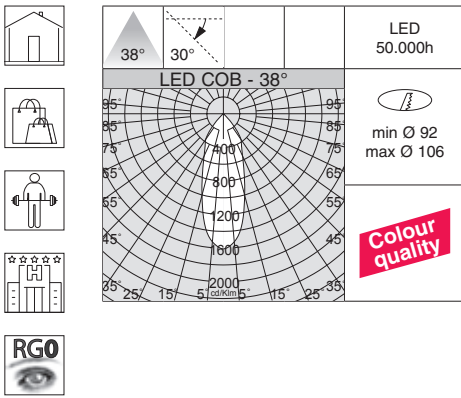
**Frame:** made of aluminium, complete with adjustable downlight ideal to light up walls or decor items.

**Lens:** in PMMA with high efficiency output and very low glare rate.

**LED:** luminous flux maintenance 80%: 50.000h (L80B20). Power factor >0.9.

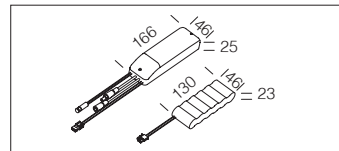
**Upon request:** possibility to switch lights ON/OFF independently.

Spot Box Marte 3					
		CLD		LUMEN OUTPUT (tq= 25 °C)	
LED	colour	weight	code	W tot	K - ølm - CRI - degrees
COB	white	2,20	22189212-68	24	4000K - 3x850lm - CRI 92 - 40°
			22189212-00		3000K - 3x820lm - CRI 92 - 40°



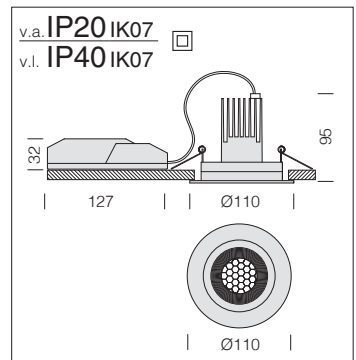
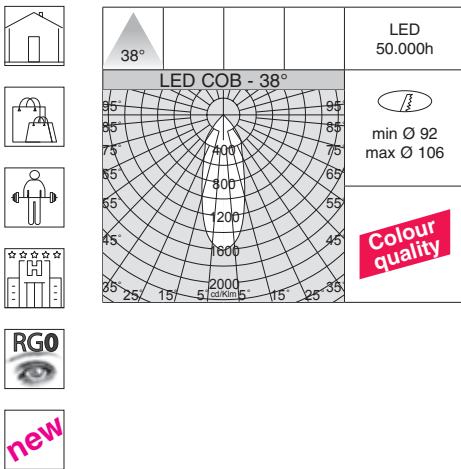
**Housing and frame:** adjustable downlight in die cast aluminium.  
**Reflector:** optics in anti-glare aluminium to optimise light efficiency.  
**LED:** luminous flux maintenance L80B20: 50.000h.

Fenix 1					
		CLD		LUMEN OUTPUT (tq= 25 °C)	
LED	colour	weight	code	W tot	K - ølm - CRI - degrees
COB	white	0,20	22068414-00	10	4000K - 990lm - CRI 92 - 38°
	black		22068433-00		
COB	white	0,20	22068413-00	10	3000K - 957lm - CRI 92 - 38°
	black		22068433-39		



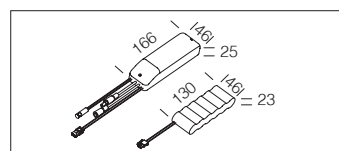
EM power kit	
1h	22096015-00
3h	22096033-00

EM (emergency) lamp power kit complete with connectors.



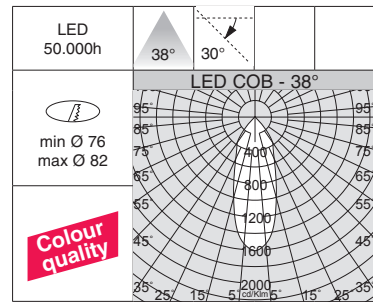
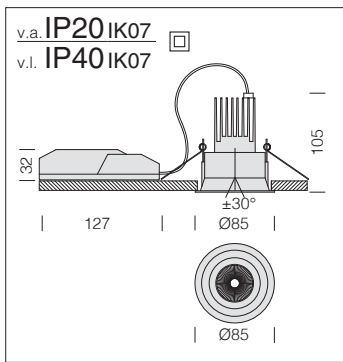
**Housing and frame:** adjustable downlight in die cast aluminium.  
**Reflector:** optics in anti-glare aluminium to optimise light efficiency.  
**LED:** luminous flux maintenance L80B20: 50.000h.

Fenix 4 - fixed					
		CLD		LUMEN OUTPUT (tq= 25 °C)	
LED	colour	weight	code	W tot	K - ølm - CRI - degrees
COB	white	0,20	22068711-00	10	4000K - 990lm - CRI 92 - 38°
	black		22068731-00		
COB	white	0,20	22068711-39	10	3000K - 957lm - CRI 92 - 38°
	black		22068731-39		



EM power kit	
1h	22096015-00
3h	22096033-00

EM (emergency) lamp power kit complete with connectors.



RECESSED DOWNLIGHTS

**Housing and frame:** in die cast aluminium with spring clips for recessed mounting.

**Reflector:** optics in anti-glare aluminium to optimize light efficiency.

**LED:** luminous flux maintenance 80%: 50.000h (L80B20). Power factor >0.9.

**Upon request:**

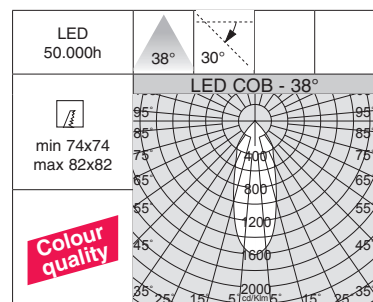
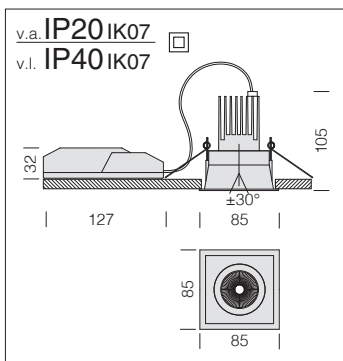
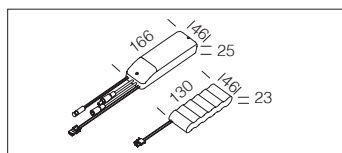
- available DIMM-DALI version.
- available 2700K / 5000K LED version.

Fenix 2					
		CLD		W tot	LUMEN OUTPUT (tq= 25 °C)
LED	colour	weight	code		K - ølm - CRI - degrees
COB	white	0,20	22068514-00	10	4000K - 990lm - CRI 92 - 38°
			22068513-00		3000K - 957lm - CRI 92 - 38°

Upon request: 25° lens version.

EM power kit	
1h	22096015-00
3h	22096033-00

EM (emergency) lamp power kit complete with connectors.



**Housing and frame:** in die cast aluminium with spring clips for recessed mounting.

**Reflector:** optics in anti-glare aluminium to optimize light efficiency.

**LED:** luminous flux maintenance 80%: 50.000h (L80B20). Power factor >0.9.

**Upon request:**

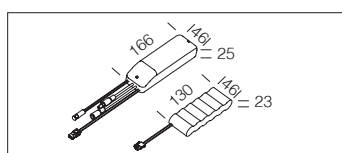
- available DIMM-DALI version.
- available 2700K / 5000K LED version.

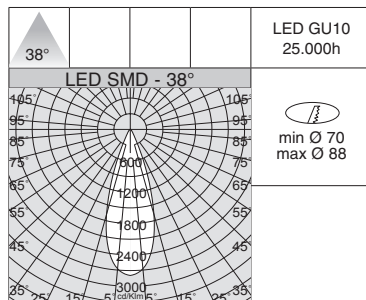
Fenix 3					
		CLD		W tot	LUMEN OUTPUT (tq= 25 °C)
LED	colour	weight	code		K - ølm - CRI - degrees
COB	white	0,20	22068614-00	10	4000K - 990lm - CRI 92 - 38°
			22068613-00		3000K - 957lm - CRI 92 - 38°

Upon request: 25° lens version.

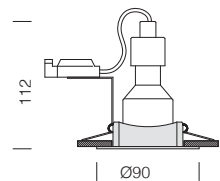
EM power kit	
1h	22096015-00
3h	22096033-00

EM (emergency) lamp power kit complete with connectors.





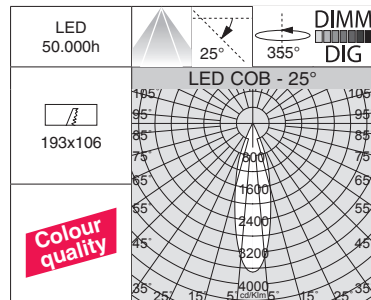
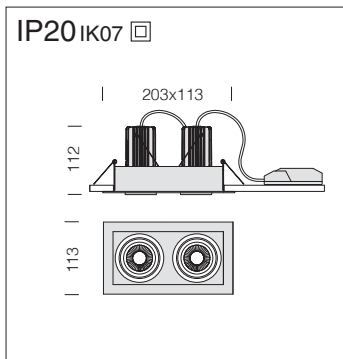
IP20 IK04 □



**Housing:** fixed downlight in die cast aluminium complete with spring clips for recessed mounting.

**LED:** luminous flux maintenance L70B50: 25.000h.

Sirio					
		CLD		W tot	LUMEN OUTPUT (tq= 25 °C)
LED	colour	weight	code		K - ølm - CRI - degrees
SMD	white	0,30	22068715-00	9	3000K - 700lm - CRI 80 - 38°



Upon request: available in black colour version.



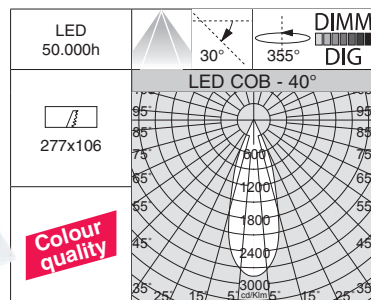
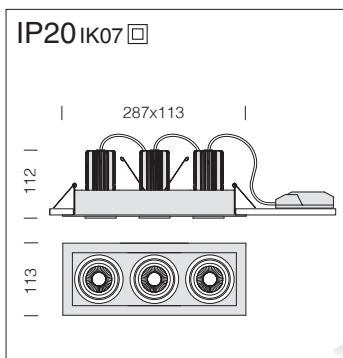
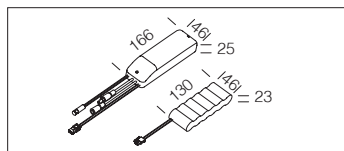
RECESSED DOWNLIGHTS

Trimless 50 - B2						
LED	colour	weight	CLD	CLD D-DIG (DALI)	W tot	LUMEN OUTPUT (tq= 25 °C)
COB	white	2,40	code	code	20	K - ølm - CRI - degrees
			22105211-00	22105211-1241		4000K - 2x597lm - CRI-90 - 15°
COB	white	2,40	22105210-00	22105210-1241	20	3000K - 2x556lm - CRI-90 - 15°
			22105213-00	22105213-1241		4000K - 2x567lm - CRI-90 - 25°
COB	white	2,40	22105212-00	22105212-1241	20	3000K - 2x527lm - CRI-90 - 25°
			22105215-00	22105215-1241		4000K - 2x503lm - CRI-90 - 40°
COB	white	2,40	22105214-00	22105214-1241	20	3000K - 2x468lm - CRI-90 - 40°

EM power kit

1h	22096015-00
3h	22096033-00

EM (emergency) lamp power kit complete with connectors. For one single emergency lamp.



Upon request: available in black colour version.

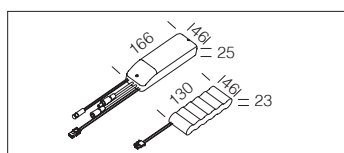


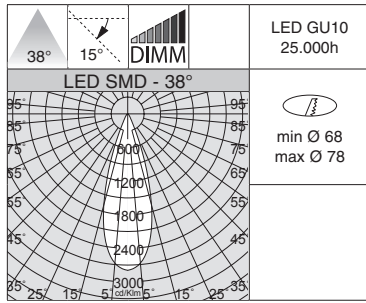
Trimless 50 - B3						
LED	colour	weight	CLD	CLD D-DIG (DALI)	W tot	LUMEN OUTPUT (tq= 25 °C)
COB	white	3,60	code	code	30	K - ølm - CRI - degrees
			22105311-00	22105311-1241		4000K - 3x597lm - CRI-90 - 15°
COB	white	3,60	22105310-00	22105310-1241	30	3000K - 3x556lm - CRI-90 - 15°
			22105313-00	22105313-1241		4000K - 3x567lm - CRI-90 - 25°
COB	white	3,60	22105312-00	22105312-1241	30	3000K - 3x527lm - CRI-90 - 25°
			22105315-00	22105315-1241		4000K - 3x503lm - CRI-90 - 40°
COB	white	3,60	22105314-00	22105314-1241	30	3000K - 3x468lm - CRI-90 - 40°

EM power kit

1h	22096015-00
3h	22096033-00

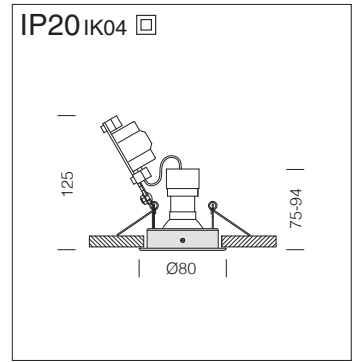
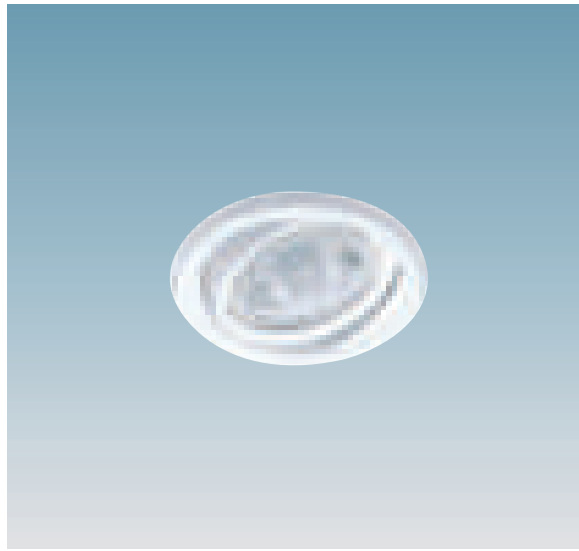
EM (emergency) lamp power kit complete with connectors. For one single emergency lamp.





LED GU10  
25.000h

min Ø 68  
max Ø 78

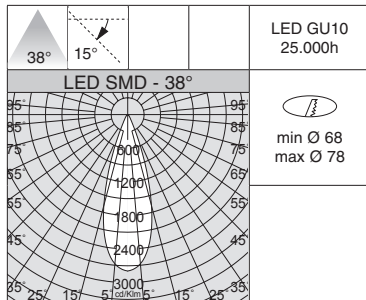
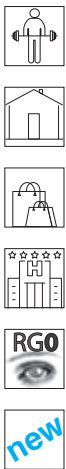


**Housing:** made of sheet steel, adjustable ideal for transit areas.

**LED:** luminous flux maintenance 70%: 25.000h (L70B50).

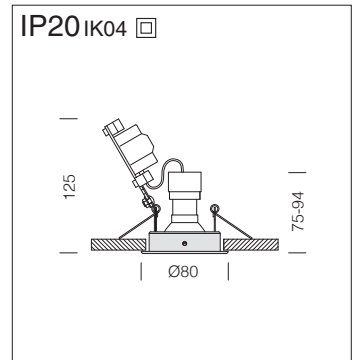
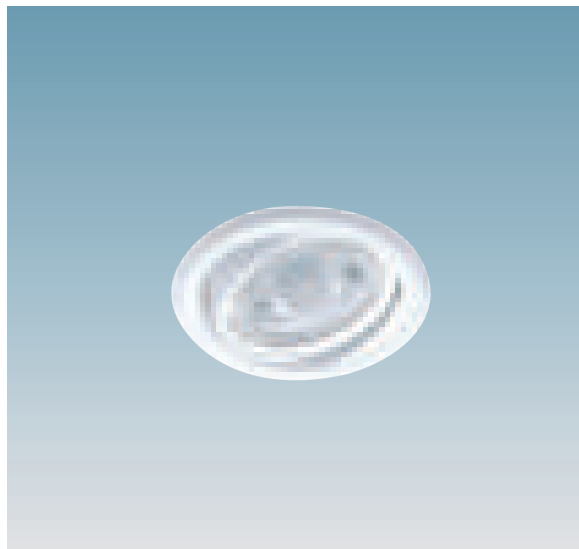
Eco Janus - DIMM						
LED		CLD-D (IGBT)		LUMEN OUTPUT (tq= 25 °C)		
colour	weight	code		W tot	K - ølm - CRI - degrees	
SMD	white	0,25	22063212-00		6,5	3000K - 500lm - CRI 80 - 38°
	m. silver		22063271-00			
	black		22063233-00			
	chrome		22063264-00			
	gold p.		22063291-00			

Dimmable version phase cutting IGBT dimming.



LED GU10  
25.000h

min Ø 68  
max Ø 78

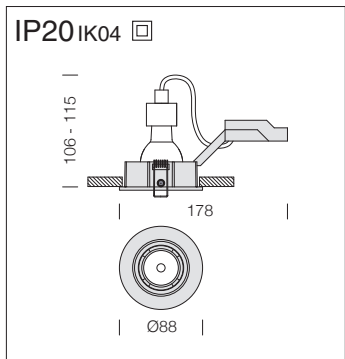


**Housing:** made of sheet steel, adjustable ideal for transit areas.

**LED:** luminous flux maintenance 70%: 25.000h (L70B50).

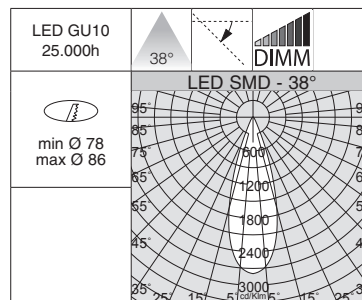
Eco Janus						
LED		CLD		LUMEN OUTPUT (tq= 25 °C)		
colour	weight	code		W tot	K - ølm - CRI - degrees	
SMD	white	0,25	22068110-00		6	3000K - 500lm - CRI 80 - 38°
	m. silver		22068170-00			
	black		22068130-00			
	chrome		22068160-00			
	gold p.		22068190-00			
SMD	white	0,25	22068115-00		9	3000K - 700lm - CRI 80 - 38°
	m. silver		22068175-00			
	black		22068135-00			
	chrome		22068165-00			
	gold p.		22068195-00			



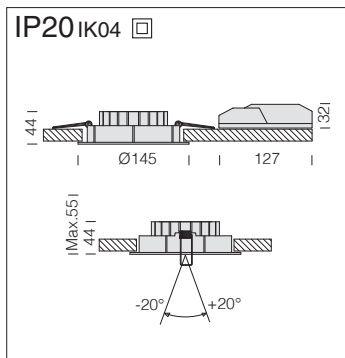


**Housing:** made of die-cast aluminium complete with spring clips for recessed mounting.

**LED:** luminous flux maintenance 70%: 25.000h (L70B50).



Swing						
LED	colour+reflector	weight	CLD code	CLD-D (IGBT) code	W tot	LUMEN OUTPUT (tq= 25 °C) K - ølm - CRI - degrees
SMD	white+white	0,30	22068215-00		6	4000K - 500lm - CRI 80 - 38°
	white+met.		22068275-00			
SMD	white+white	0,30	22068210-00		6	3000K - 500lm - CRI 80 - 38°
	white+met.		22068270-00			
SMD	white+white	0,30		22068217-00	6,5	4000K - 500lm - CRI 80 - 38°
	white+met.			22068277-00		
SMD	white+white	0,30		22068211-00	6,5	3000K - 500lm - CRI 80 - 38°
	white+met.			22068271-00		
SMD	white+white	0,30	22068216-00		9	4000K - 700lm - CRI 80 - 38°
	white+met.		22068276-00			
SMD	white+white	0,30	22068214-00		9	3000K - 700lm - CRI 80 - 38°
	white+met.		22068274-00			

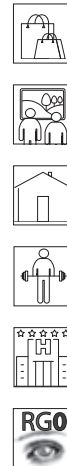
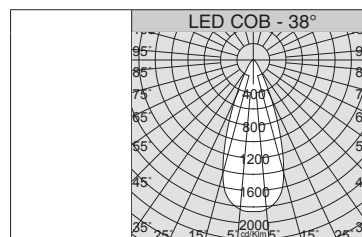
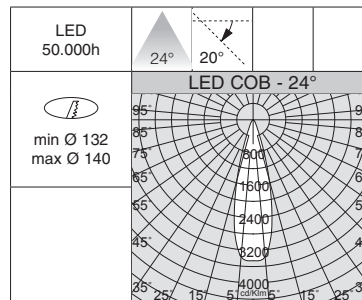


**Housing:** made of die-cast aluminium complete with spring clips for recessed mounting.

**Lens:** faceted, with high efficiency output and very low glare rate.

**LED:** luminous flux maintenance 80%: 50.000h (L80B20). Power factor ≥0.9.

**Upon request:** available DIMM-DALI version.

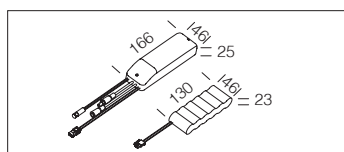


Swing Big					
LED	colour	weight	CLD code	W tot	LUMEN OUTPUT (tq= 25 °C) K - ølm - CRI - degrees
COB	white	0,60	22089411-00	24	3000K - 2442lm - CRI 85 - 24°
			22089412-00		3000K - 2333lm - CRI 85 - 38°

Upon request: 4000K version with sub-code -68.

EM power kit	
1h	22096015-00
3h	22096033-00

EM (emergency) lamp power kit complete with connectors.





**Housing:** in die-cast aluminium with adjustable and tilting spotlights.

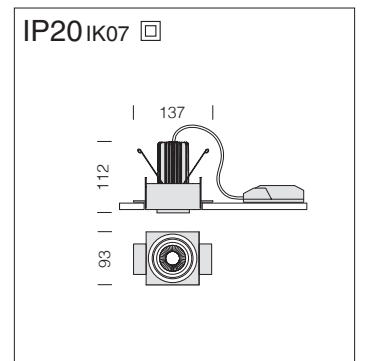
**Equipment:** equipped with galvanised steel support brackets which guarantee perfect attachment to suspended ceiling from 12 mm to 25 mm thick.

**Reflector:** high-efficiency metallised polycarbonate.

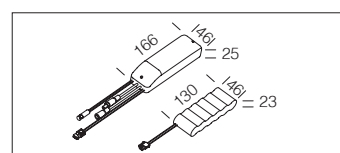
**LED:** luminous flux maintenance 80%: 50.000h (L80B20). Power factor >0.95.

**Upon request:** version with CASAMBI automation lighting control system (fixtures to be installed in NON-METALLIC false ceilings/panels).

For further information see chapter *Technical components*.

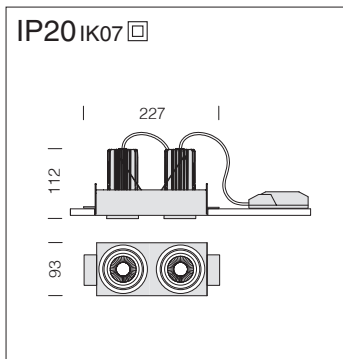


Trimless 50 - A1						
LED	colour	weight	CLD code	CLD D-DIG (DALI) code	W tot	LUMEN OUTPUT (tq= 25 °C) K - ølm - CRI - degrees
COB	black	0,90	22105131-00	22105131-1241	10	4000K - 597lm - CRI>90 - 15°
			22105130-00	22105130-1241		3000K - 556lm - CRI>90 - 15°
COB	black	0,90	22105133-00	22105133-1241	10	4000K - 567lm - CRI>90 - 25°
			22105132-00	22105132-1241		3000K - 527lm - CRI>90 - 25°
COB	black	0,90	22105135-00	22105135-1241	10	4000K - 503lm - CRI>90 - 40°
			22105134-00	22105134-1241		3000K - 468lm - CRI>90 - 40°



EM power kit	
1h	22096015-00
3h	22096033-00

EM (emergency) lamp power kit complete with connectors.



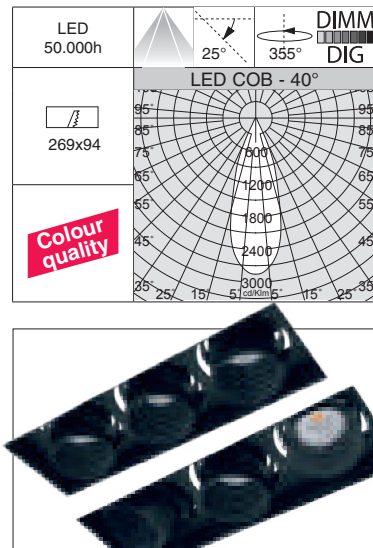
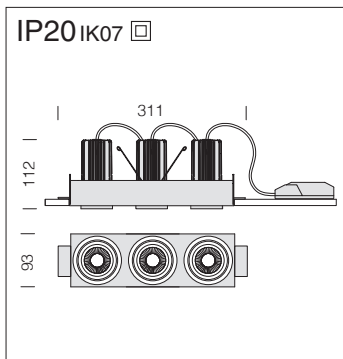
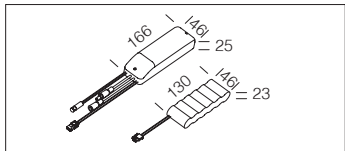
RECESSED DOWNLIGHTS

Trimless 50 - A2						
LED	colour	weight	CLD	CLD D-DIG (DALI)	W tot	LUMEN OUTPUT (tq= 25 °C)
COB	black	1,30	code	code	20	K - ølm - CRI - degrees
			22105231-00	22105231-1241		4000K - 2x597lm - CRI-90 - 15°
COB	black	1,30	22105230-00	22105230-1241	20	3000K - 2x556lm - CRI-90 - 15°
			22105233-00	22105233-1241		4000K - 2x567lm - CRI-90 - 25°
COB	black	1,30	22105232-00	22105232-1241	20	3000K - 2x527lm - CRI-90 - 25°
			22105235-00	22105235-1241		4000K - 2x503lm - CRI-90 - 40°
COB	black	1,30	22105234-00	22105234-1241	20	3000K - 2x468lm - CRI-90 - 40°

EM power kit

1h	22096015-00
3h	22096033-00

EM (emergency) lamp power kit complete with connectors. For one single emergency lamp.

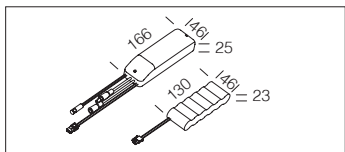


Trimless 50 - A3						
LED	colour	weight	CLD	CLD D-DIG (DALI)	W tot	LUMEN OUTPUT (tq= 25 °C)
COB	black	2,30	code	code	30	K - ølm - CRI - degrees
			22105331-00	22105331-1241		4000K - 3x597lm - CRI-90 - 15°
COB	black	2,30	22105330-00	22105330-1241	30	3000K - 3x556lm - CRI-90 - 15°
			22105333-00	22105333-1241		4000K - 3x567lm - CRI-90 - 25°
COB	black	2,30	22105332-00	22105332-1241	30	3000K - 3x527lm - CRI-90 - 25°
			22105335-00	22105335-1241		4000K - 3x503lm - CRI-90 - 40°
COB	black	2,30	22105334-00	22105334-1241	30	3000K - 3x468lm - CRI-90 - 40°

EM power kit

1h	22096015-00
3h	22096033-00

EM (emergency) lamp power kit complete with connectors. For one single emergency lamp.





**Housing:** in die-cast aluminium with adjustable and tilting spotlights.

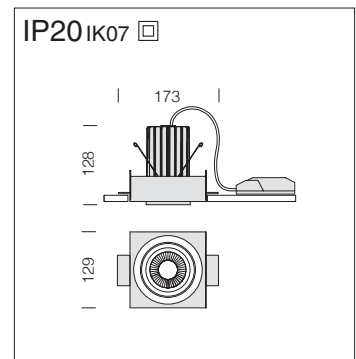
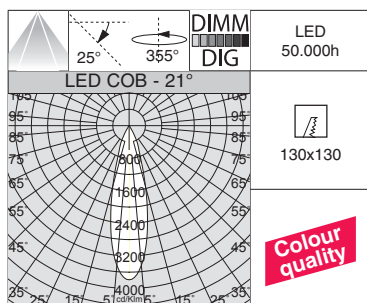
**Equipment:** equipped with galvanised steel support brackets which guarantee perfect attachment to suspended ceiling from 12 mm to 25 mm thick.

**Reflector:** high-efficiency metallised polycarbonate.

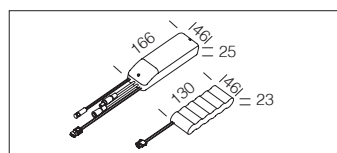
**LED:** luminous flux maintenance 80%: 50.000h (L80B20). Power factor >0.95.

**Upon request:** version with CASAMBI automation lighting control system (fixtures to be installed in NON-METALLIC false ceilings/panels).

For further information see chapter *Technical components*.

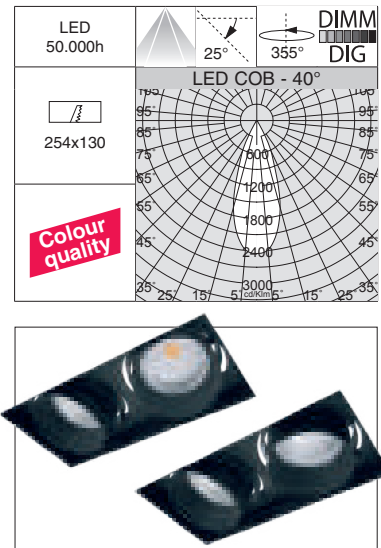
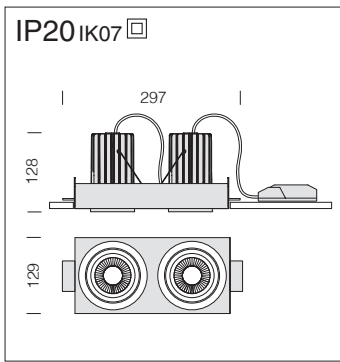


Trimless 70 - A1						
LED	colour	weight	CLD	CLD D-DIG (DALI)	W tot	LUMEN OUTPUT (tq= 25 °C)
			code	code		K - ølm - CRI - degrees
COB	black	1,00	22107131-00	22107131-1241	25	4000K - 2448lm - CRI>90 - 21°
			22107130-00	22107130-1241		3000K - 2376lm - CRI>90 - 21°
COB	black	1,00	22107133-00	22107133-1241	25	4000K - 2448lm - CRI>90 - 28°
			22107132-00	22107132-1241		3000K - 2376lm - CRI>90 - 28°
COB	black	1,00	22107135-00	22107135-1241	25	4000K - 2262lm - CRI>90 - 40°
			22107134-00	22107134-1241		3000K - 2103lm - CRI>90 - 40°



EM power kit	
1h	22096015-00
3h	22096033-00

EM (emergency) lamp power kit complete with connectors.

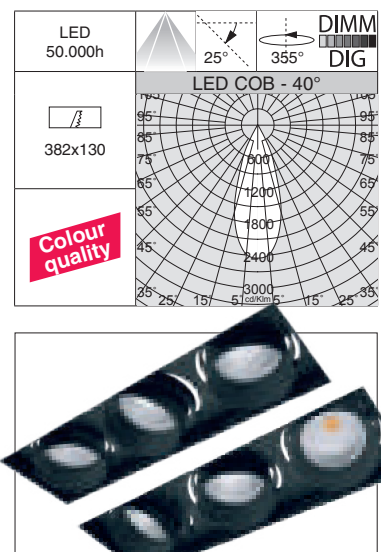
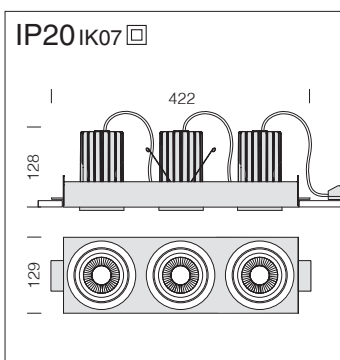
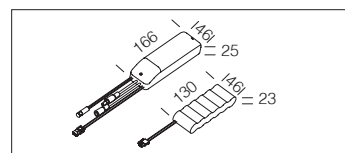


RECESSED DOWNLIGHTS

Trimless 70 - A2						
LED	colour	weight	CLD	CLD D-DIG (DALI)	W tot	LUMEN OUTPUT (tq= 25 °C)
COB	black	1,70	code	code	50	K - ølm - CRI - degrees
			22107231-00	22107231-1241		4000K - 2x2448lm - CRI>90 - 21°
COB	black	1,70	22107230-00	22107230-1241	50	3000K - 2x2376lm - CRI>90 - 21°
			22107233-00	22107233-1241		4000K - 2x2448lm - CRI>90 - 28°
COB	black	1,70	22107232-00	22107232-1241	50	3000K - 2x2376lm - CRI>90 - 28°
			22107235-00	22107235-1241		4000K - 2x2262lm - CRI>90 - 40°
COB	black	1,70	22107234-00	22107234-1241	50	3000K - 2x2103lm - CRI>90 - 40°

EM power kit	
1h	22096015-00
3h	22096033-00

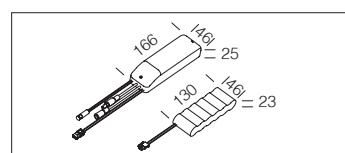
EM (emergency) lamp power kit complete with connectors. For one single emergency lamp.



Trimless 70 - A3						
LED	colour	weight	CLD	CLD D-DIG (DALI)	W tot	LUMEN OUTPUT (tq= 25 °C)
COB	black	2,80	code	code	75	K - ølm - CRI - degrees
			22107331-00	22107331-1241		4000K - 3x2448lm - CRI>90 - 21°
COB	black	2,80	22107330-00	22107330-1241	75	3000K - 3x2376lm - CRI>90 - 21°
			22107333-00	22107333-1241		4000K - 3x2448lm - CRI>90 - 28°
COB	black	2,80	22107332-00	22107332-1241	75	3000K - 3x2376lm - CRI>90 - 28°
			22107335-00	22107335-1241		4000K - 3x2262lm - CRI>90 - 40°
COB	black	2,80	22107334-00	22107334-1241	75	3000K - 3x2103lm - CRI>90 - 40°

EM power kit	
1h	22096015-00
3h	22096033-00

EM (emergency) lamp power kit complete with connectors. For one single emergency lamp.





**Housing:** in die-cast aluminium with adjustable and tilting spotlights.

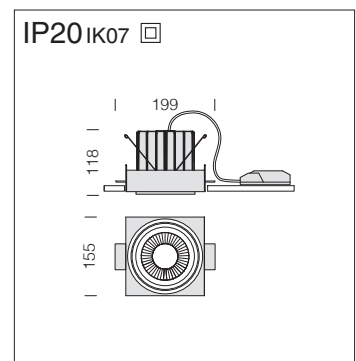
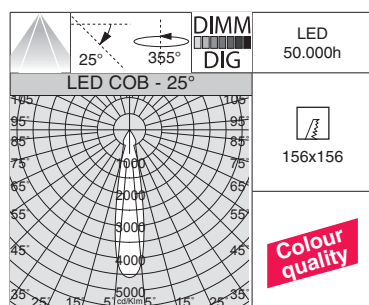
**Equipment:** equipped with galvanised steel support brackets which guarantee perfect attachment to suspended ceiling from 12 mm to 25 mm thick.

**Reflector:** high-efficiency metallised polycarbonate.

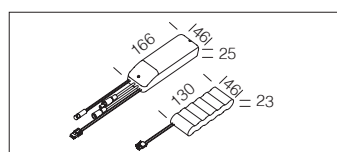
**LED:** luminous flux maintenance 80%: 50.000h (L80B20). Power factor >0.95.

**Upon request:** version with CASAMBI automation lighting control system (fixtures to be installed in NON-METALLIC false ceilings/panels).

For further information see chapter *Technical components*.

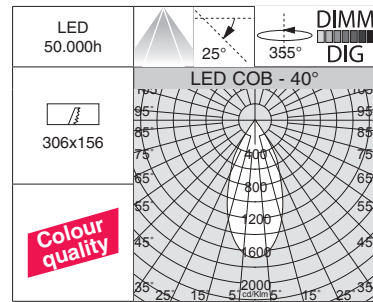
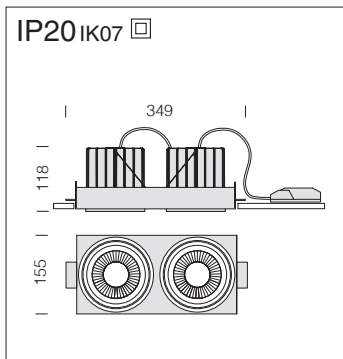


Trimless 111 - A1						
LED	colour	weight	CLD	CLD D-DIG (DALI)	W tot	LUMEN OUTPUT (tq= 25 °C)
			code	code		K - ølm - CRI - degrees
COB	black	1,20	22111131-00	22111131-1241	38	4000K - 3654lm - CRI>90 - 15°
			22111130-00	22111130-1241		3000K - 3398lm - CRI>90 - 15°
COB	black	1,20	22111133-00	22111133-1241	38	4000K - 3583lm - CRI>90 - 25°
			22111132-00	22111132-1241		3000K - 3332lm - CRI>90 - 25°
COB	black	1,20	22111135-00	22111135-1241	38	4000K - 3534lm - CRI>90 - 40°
			22111134-00	22111134-1241		3000K - 3287lm - CRI>90 - 40°



EM power kit	
1h	22096015-00
3h	22096033-00

EM (emergency) lamp power kit complete with connectors.

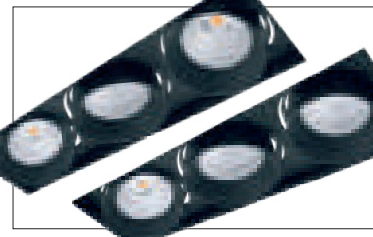
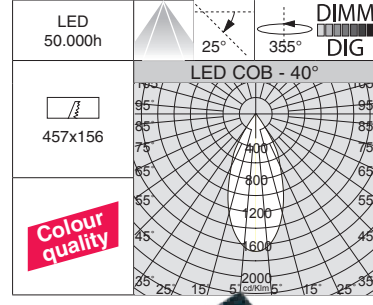
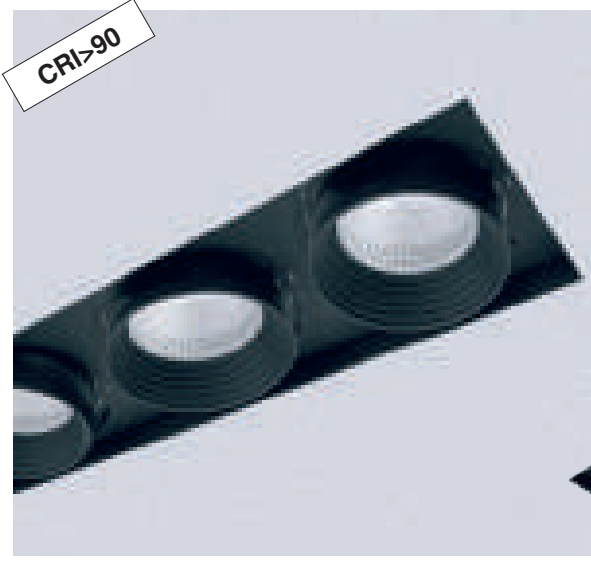
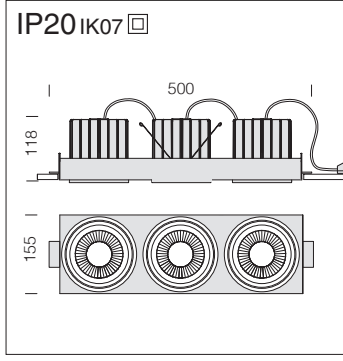
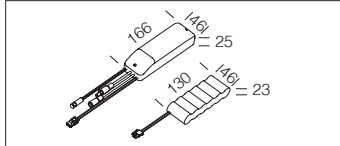


RECESSED DOWNLIGHTS

Trimless 111 - A2						
LED	colour	weight	CLD code	CLD D-DIG (DALI) code	W tot	LUMEN OUTPUT (tq= 25 °C) K - ølm - CRI - degrees
COB	black	2,40	22111231-00	22111231-1241	76	4000K - 2x3654lm - CRI>90 - 15°
			22111230-00	22111230-1241		3000K - 2x3398lm - CRI>90 - 15°
COB	black	2,40	22111233-00	22111233-1241	76	4000K - 2x3583lm - CRI>90 - 25°
			22111232-00	22111232-1241		3000K - 2x3332lm - CRI>90 - 25°
COB	black	2,40	22111235-00	22111235-1241	76	4000K - 2x3534lm - CRI>90 - 40°
			22111234-00	22111234-1241		3000K - 2x3287lm - CRI>90 - 40°

EM power kit	
1h	22096015-00
3h	22096033-00

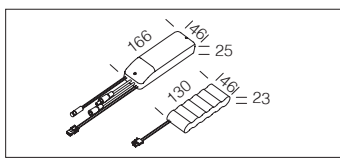
EM (emergency) lamp power kit complete with connectors. For one single emergency lamp.



Trimless 111 - A3						
LED	colour	weight	CLD code	CLD D-DIG (DALI) code	W tot	LUMEN OUTPUT (tq= 25 °C) K - ølm - CRI - degrees
COB	black	3,60	22111331-00	22111331-1241	114	4000K - 3x3654lm - CRI>90 - 15°
			22111330-00	22111330-1241		3000K - 3x3398lm - CRI>90 - 15°
COB	black	3,60	22111333-00	22111333-1241	114	4000K - 3x3583lm - CRI>90 - 25°
			22111332-00	22111332-1241		3000K - 3x3332lm - CRI>90 - 25°
COB	black	3,60	22111335-00	22111335-1241	114	4000K - 3x3534lm - CRI>90 - 40°
			22111334-00	22111334-1241		3000K - 3x3287lm - CRI>90 - 40°

EM power kit	
1h	22096015-00
3h	22096033-00

EM (emergency) lamp power kit complete with connectors. For one single emergency lamp.





**Housing and frame:** in die-cast aluminium with adjustable and tilting spotlights.

**Equipment:** equipped with galvanised steel support brackets which guarantee perfect attachment to suspended ceiling from 12 mm to 25 mm thick.

**Reflector:** high-efficiency metallised polycarbonate.

**LED:** luminous flux maintenance 80%: 50.000h (L80B20). Power factor >0.95.

**Upon request:** version with CASAMBI automation lighting control system (fixtures to be installed in **NON-METALLIC false ceilings/panels**).

For further information see chapter *Technical components*.

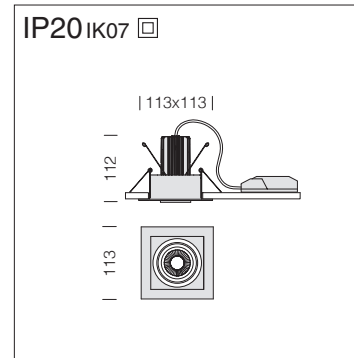
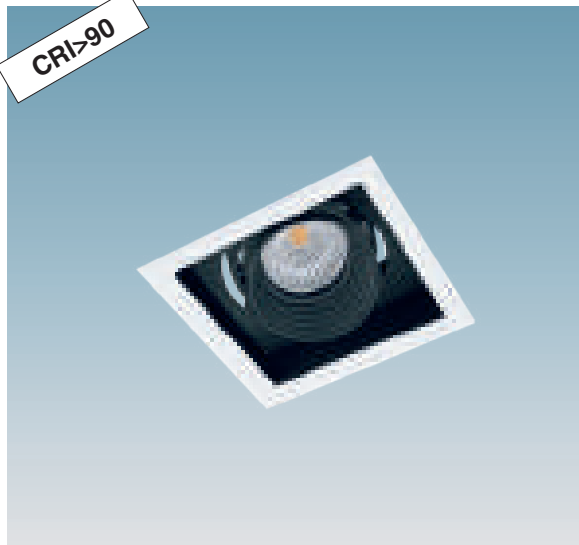
**DIMM**  
**DIG**

LED 50.000h

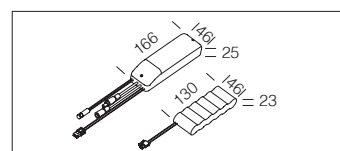
106x103

**Colour quality**

**Upon request:** available in black colour version.



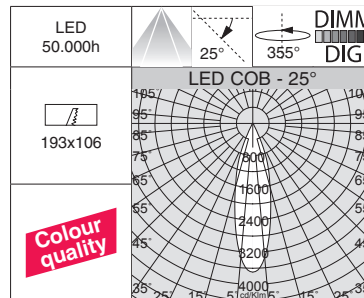
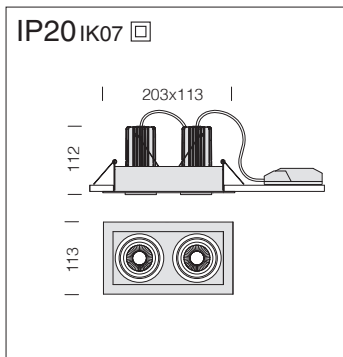
Trimless 50 - B1						
LED	colour	weight	CLD	CLD D-DIG (DALI)	W tot	LUMEN OUTPUT (tq= 25 °C)
			code	code		K - ølm - CRI - degrees
COB	white	1,20	22105111-00	22105111-1241	10	4000K - 597lm - CRI>90 - 15°
			22105110-00	22105110-1241		3000K - 556lm - CRI>90 - 15°
COB	white	1,20	22105113-00	22105113-1241	10	4000K - 567lm - CRI>90 - 25°
			22105112-00	22105112-1241		3000K - 527lm - CRI>90 - 25°
COB	white	1,20	22105115-00	22105115-1241	10	4000K - 503lm - CRI>90 - 40°
			22105114-00	22105114-1241		3000K - 468lm - CRI>90 - 40°



EM power kit	
1h	22096015-00
3h	22096033-00

EM (emergency) lamp power kit complete with connectors.





Upon request: available in black colour version.



new

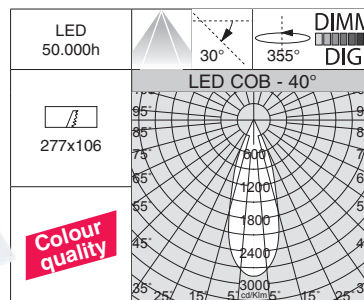
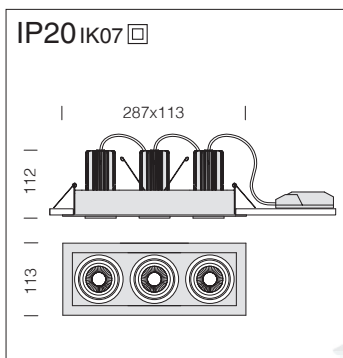
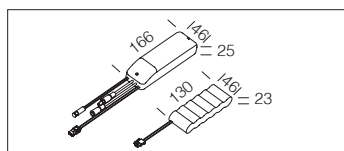
RECESSED DOWNLIGHTS

Trimless 50 - B2						
LED	colour	weight	CLD code	CLD D-DIG (DALI) code	W tot	LUMEN OUTPUT (tq= 25 °C)
COB	white	2,40	22105211-00	22105211-1241	20	4000K - 2x597lm - CRI>90 - 15°
			22105210-00	22105210-1241		3000K - 2x556lm - CRI>90 - 15°
COB	white	2,40	22105213-00	22105213-1241	20	4000K - 2x567lm - CRI>90 - 25°
			22105212-00	22105212-1241		3000K - 2x527lm - CRI>90 - 25°
COB	white	2,40	22105215-00	22105215-1241	20	4000K - 2x503lm - CRI>90 - 40°
			22105214-00	22105214-1241		3000K - 2x468lm - CRI>90 - 40°

EM power kit

1h	22096015-00
3h	22096033-00

EM (emergency) lamp power kit complete with connectors. For one single emergency lamp.



Upon request: available in black colour version.



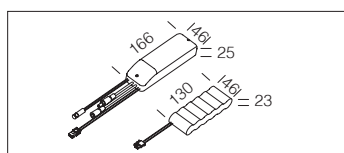
new

Trimless 50 - B3						
LED	colour	weight	CLD code	CLD D-DIG (DALI) code	W tot	LUMEN OUTPUT (tq= 25 °C)
COB	white	3,60	22105311-00	22105311-1241	30	4000K - 3x597lm - CRI>90 - 15°
			22105310-00	22105310-1241		3000K - 3x556lm - CRI>90 - 15°
COB	white	3,60	22105313-00	22105313-1241	30	4000K - 3x567lm - CRI>90 - 25°
			22105312-00	22105312-1241		3000K - 3x527lm - CRI>90 - 25°
COB	white	3,60	22105315-00	22105315-1241	30	4000K - 3x503lm - CRI>90 - 40°
			22105314-00	22105314-1241		3000K - 3x468lm - CRI>90 - 40°

EM power kit

1h	22096015-00
3h	22096033-00

EM (emergency) lamp power kit complete with connectors. For one single emergency lamp.





**Housing and frame:** in die-cast aluminium with adjustable and tilting spotlights.

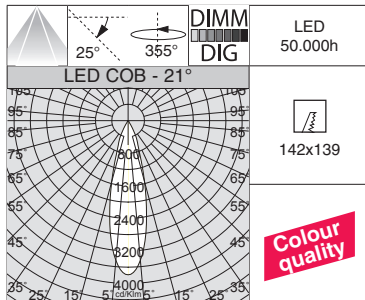
**Equipment:** equipped with galvanised steel support brackets which guarantee perfect attachment to suspended ceiling from 12 mm to 25 mm thick.

**Reflector:** high-efficiency metallised polycarbonate.

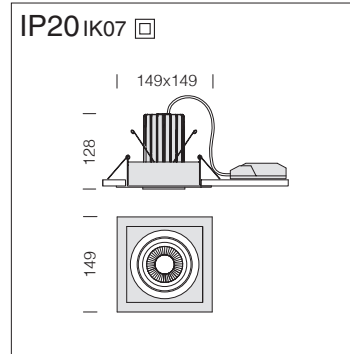
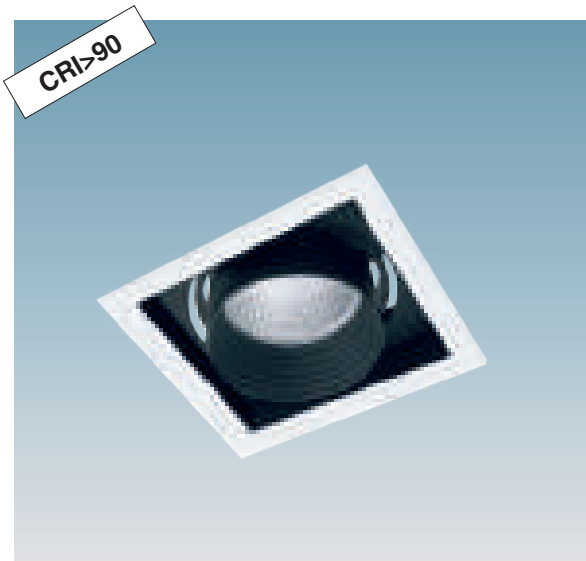
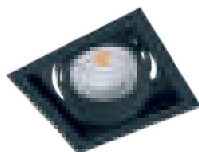
**LED:** luminous flux maintenance 80%: 50.000h (L80B20). Power factor >0.95.

**Upon request:** version with CASAMBI automation lighting control system (fixtures to be installed in **NON-METALLIC false ceilings/panels**).

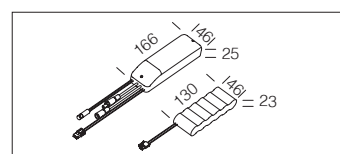
For further information see chapter *Technical components*.



**Upon request:** available in black colour version.

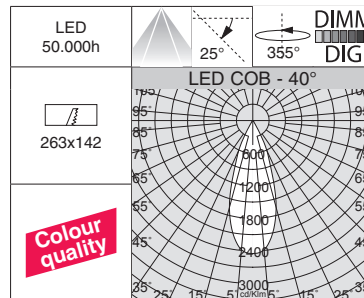
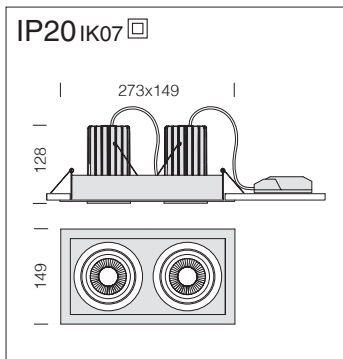


Trimless 70 - B1						
LED	colour	weight	CLD	CLD D-DIG (DALI)	W tot	LUMEN OUTPUT (tq= 25 °C)
			code	code		K - ølm - CRI - degrees
COB	white	1,30	22107111-00	22107111-1241	25	4000K - 2448lm - CRI>90 - 21°
			22107110-00	22107110-1241		3000K - 2376lm - CRI>90 - 21°
COB	white	1,30	22107113-00	22107113-1241	25	4000K - 2448lm - CRI>90 - 28°
			22107112-00	22107112-1241		3000K - 2376lm - CRI>90 - 28°
COB	white	1,30	22107115-00	22107115-1241	25	4000K - 2262lm - CRI>90 - 40°
			22107114-00	22107114-1241		3000K - 2103lm - CRI>90 - 40°



EM power kit	
1h	22096015-00
3h	22096033-00

EM (emergency) lamp power kit complete with connectors.



Upon request: available in black colour version.

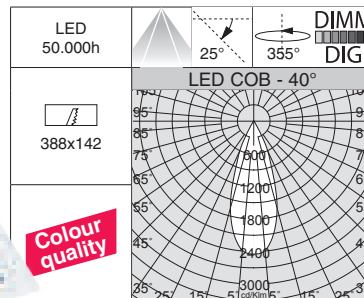
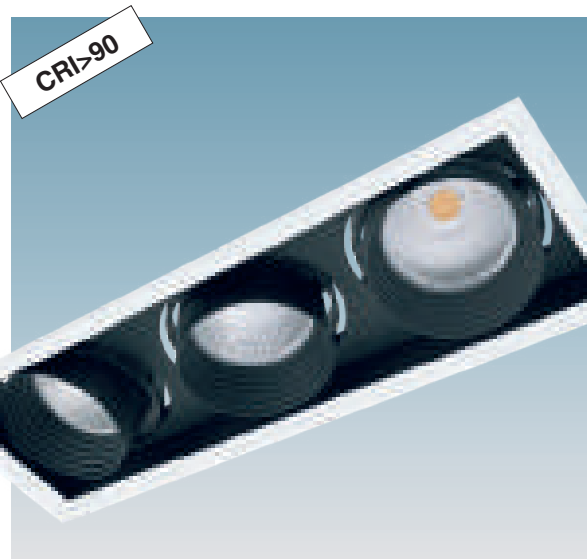
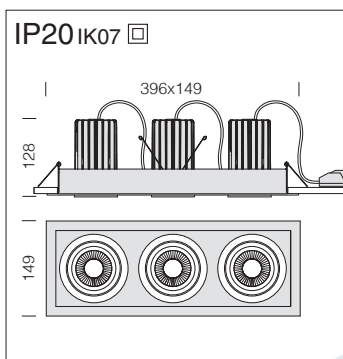
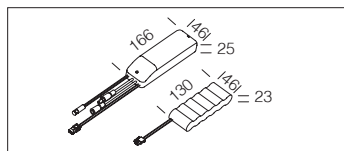


RECESSED DOWNLIGHTS

Trimless 70 - B2						
LED	colour	weight	CLD code	CLD D-DIG (DALI) code	W tot	LUMEN OUTPUT (tq= 25 °C) K - ølm - CRI - degrees
COB	white	2,60	22107211-00	22107211-1241	50	4000K - 2x2448lm - CRI>90 - 21°
			22107210-00	22107210-1241		3000K - 2x2376lm - CRI>90 - 21°
COB	white	2,60	22107213-00	22107213-1241	50	4000K - 2x2448lm - CRI>90 - 28°
			22107212-00	22107212-1241		3000K - 2x2376lm - CRI>90 - 28°
COB	white	2,60	22107215-00	22107215-1241	50	4000K - 2x2262lm - CRI>90 - 40°
			22107214-00	22107214-1241		3000K - 2x2103lm - CRI>90 - 40°

EM power kit	
1h	22096015-00
3h	22096033-00

EM (emergency) lamp power kit complete with connectors. For one single emergency lamp.



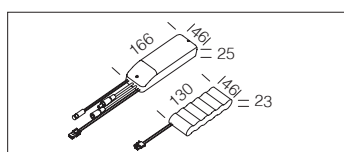
Upon request: available in black colour version.



Trimless 70 - B3						
LED	colour	weight	CLD code	CLD D-DIG (DALI) code	W tot	LUMEN OUTPUT (tq= 25 °C) K - ølm - CRI - degrees
COB	white	3,80	22107311-00	22107311-1241	75	4000K - 3x2448lm - CRI>90 - 21°
			22107310-00	22107310-1241		3000K - 3x2376lm - CRI>90 - 21°
COB	white	3,80	22107313-00	22107313-1241	75	4000K - 3x2448lm - CRI>90 - 28°
			22107312-00	22107312-1241		3000K - 3x2376lm - CRI>90 - 28°
COB	white	3,80	22107315-00	22107315-1241	75	4000K - 3x2262lm - CRI>90 - 40°
			22107314-00	22107314-1241		3000K - 3x2103lm - CRI>90 - 40°

EM power kit	
1h	22096015-00
3h	22096033-00

EM (emergency) lamp power kit complete with connectors. For one single emergency lamp.





**Housing and frame:** in die-cast aluminium with adjustable and tilting spotlights.

**Equipment:** equipped with galvanised steel support brackets which guarantee perfect attachment to suspended ceiling from 12 mm to 25 mm thick.

**Reflector:** high-efficiency metallised polycarbonate.

**LED:** luminous flux maintenance 80%: 50.000h (L80B20). Power factor >0.95.

**Upon request:** version with CASAMBI automation lighting control system (fixtures to be installed in NON-METALLIC false ceilings/panels).

For further information see chapter *Technical components*.

**DIMM**  
**DIG**

LED  
50.000h

LED COB - 25°

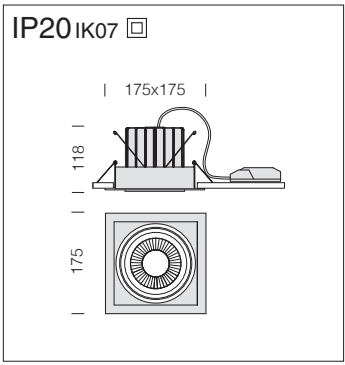
168x165

Colour quality

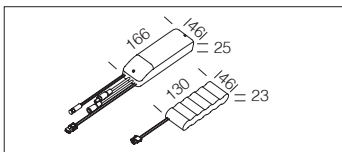
**Upon request:** available in black colour version.

**RG0**

CASAMBI

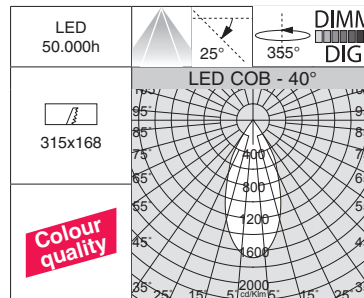
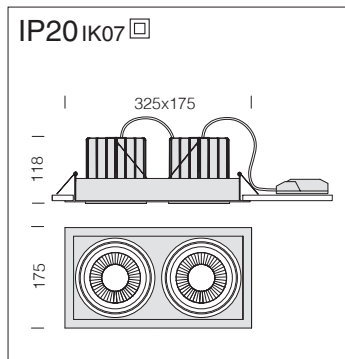


Trimless 111 - B1						
LED	colour	weight	CLD	CLD D-DIG (DALI)	W tot	LUMEN OUTPUT (tq= 25 °C)
			code	code		K - ølm - CRI - degrees
COB	white	1,50	22111111-00	22111111-1241	38	4000K - 3654lm - CRI>90 - 15°
			22111110-00	22111110-1241		3000K - 3398lm - CRI>90 - 15°
COB	white	1,50	22111113-00	22111113-1241	38	4000K - 3583lm - CRI>90 - 25°
			22111112-00	22111112-1241		3000K - 3332lm - CRI>90 - 25°
COB	white	1,50	22111115-00	22111115-1241	38	4000K - 3534lm - CRI>90 - 40°
			22111114-00	22111114-1241		3000K - 3287lm - CRI>90 - 40°



EM power kit	
1h	22096015-00
3h	22096033-00

EM (emergency) lamp power kit complete with connectors.



Upon request: available in black colour version.

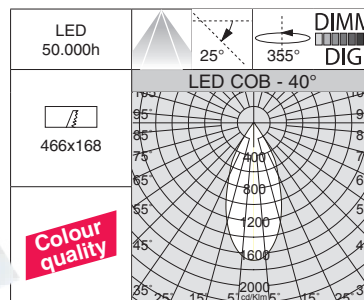
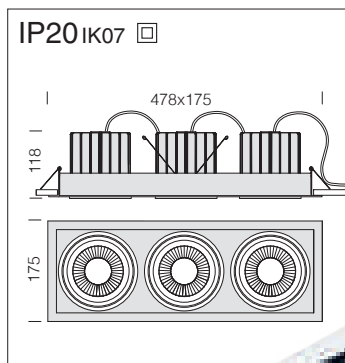
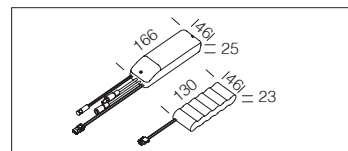


RECESSED DOWNLIGHTS

Trimless 111 - B2						
LED	colour	weight	CLD code	CLD D-DIG (DALI) code	W tot	LUMEN OUTPUT (tq= 25 °C)
COB	white	2,80	22111211-00	22111211-1241	76	4000K - 2x3654lm - CRI>90 - 15°
			22111210-00	22111210-1241		3000K - 2x3398lm - CRI>90 - 15°
COB	white	2,80	22111213-00	22111213-1241	76	4000K - 2x3583lm - CRI>90 - 25°
			22111212-00	22111212-1241		3000K - 2x3332lm - CRI>90 - 25°
COB	white	2,80	22111215-00	22111215-1241	76	4000K - 2x3534lm - CRI>90 - 40°
			22111214-00	22111214-1241		3000K - 2x3287lm - CRI>90 - 40°

EM power kit	
1h	22096015-00
3h	22096033-00

EM (emergency) lamp power kit complete with connectors. For one single emergency lamp.



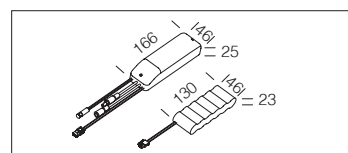
Upon request: available in black colour version.



Trimless 111 - B3						
LED	colour	weight	CLD code	CLD D-DIG (DALI) code	W tot	LUMEN OUTPUT (tq= 25 °C)
COB	white	4,00	22111311-00	22111311-1241	114	4000K - 3x3654lm - CRI>90 - 15°
			22111310-00	22111310-1241		3000K - 3x3398lm - CRI>90 - 15°
COB	white	4,00	22111313-00	22111313-1241	114	4000K - 3x3583lm - CRI>90 - 25°
			22111312-00	22111312-1241		3000K - 3x3332lm - CRI>90 - 25°
COB	white	4,00	22111315-00	22111315-1241	114	4000K - 3x3534lm - CRI>90 - 40°
			22111314-00	22111314-1241		3000K - 3x3287lm - CRI>90 - 40°

EM power kit	
1h	22096015-00
3h	22096033-00

EM (emergency) lamp power kit complete with connectors. For one single emergency lamp.



**Frame:** in steel sheet.

**Housing:** in aluminium.

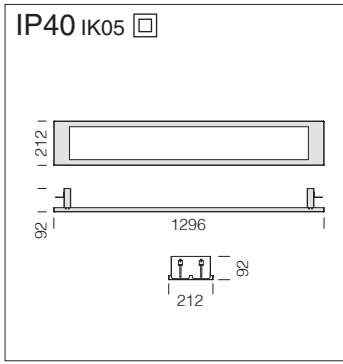
**Diffuser:** in opal engineering plastic with high transmittance.

**Wiring:** rapid wiring connection, the fixture does not need to be opened; equipped with fast connector.

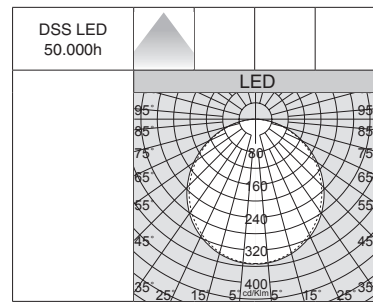
**Installation:** suited for installation into false ceilings with round-edge staves and 100 mm pitch.

**Low Flicker:** product with a very low flicker; uniform light for greater eye protection.





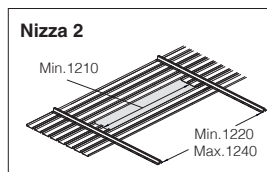
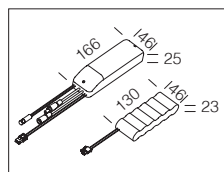
**LED:** luminous flux maintenance 80% 50.000h (L80B20).  
Power factor  $\geq 0.95$ .



Nizza 2						
		CLD			LUMEN OUTPUT (tq= 25 °C)	
LED	colour	weight	code		W tot	K - ølm - CRI
LED	white	3.00	22184418-00		34	4000K - 3200lm - CRI 83
			22184419-00			3000K - 3150lm - CRI 83

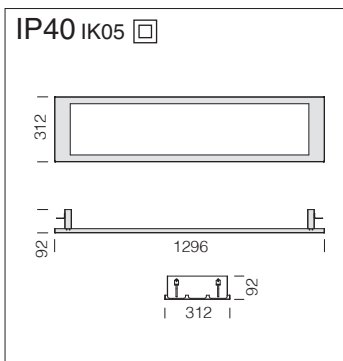
EM power kit	
1h	22096035-00
3h	22096037-00

EM (emergency) lamp power kit complete with connectors.

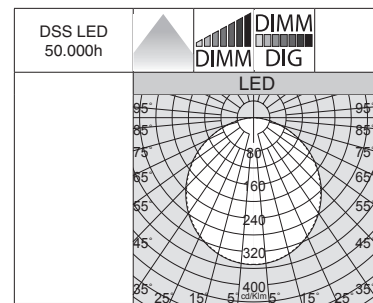


INSTALLATION ON SHOOKS					
100	100	100	100	150/300	200
✓	✓	✓*	✓*	✗	✗

✓\* = on request



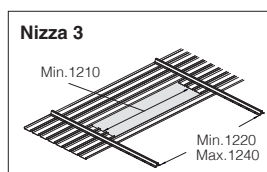
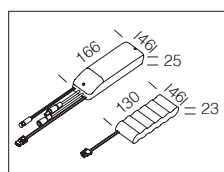
**LED:** luminous flux maintenance 80% 50.000h (L80B20).  
Power factor  $\geq 0.95$ .



Nizza 3							
		CLD		CLD-D (0-10V)	CLD D-DIG (DALI)	LUMEN OUTPUT (tq= 25 °C)	
LED	colour	weight	code		code	code	W tot
LED	white	4.00	22185810-00		22185810-12	22185810-1241	34
			22185811-00		22185811-12	22185811-1241	
						4000K - 3675lm - CRI 83	
						3000K - 3417lm - CRI 83	

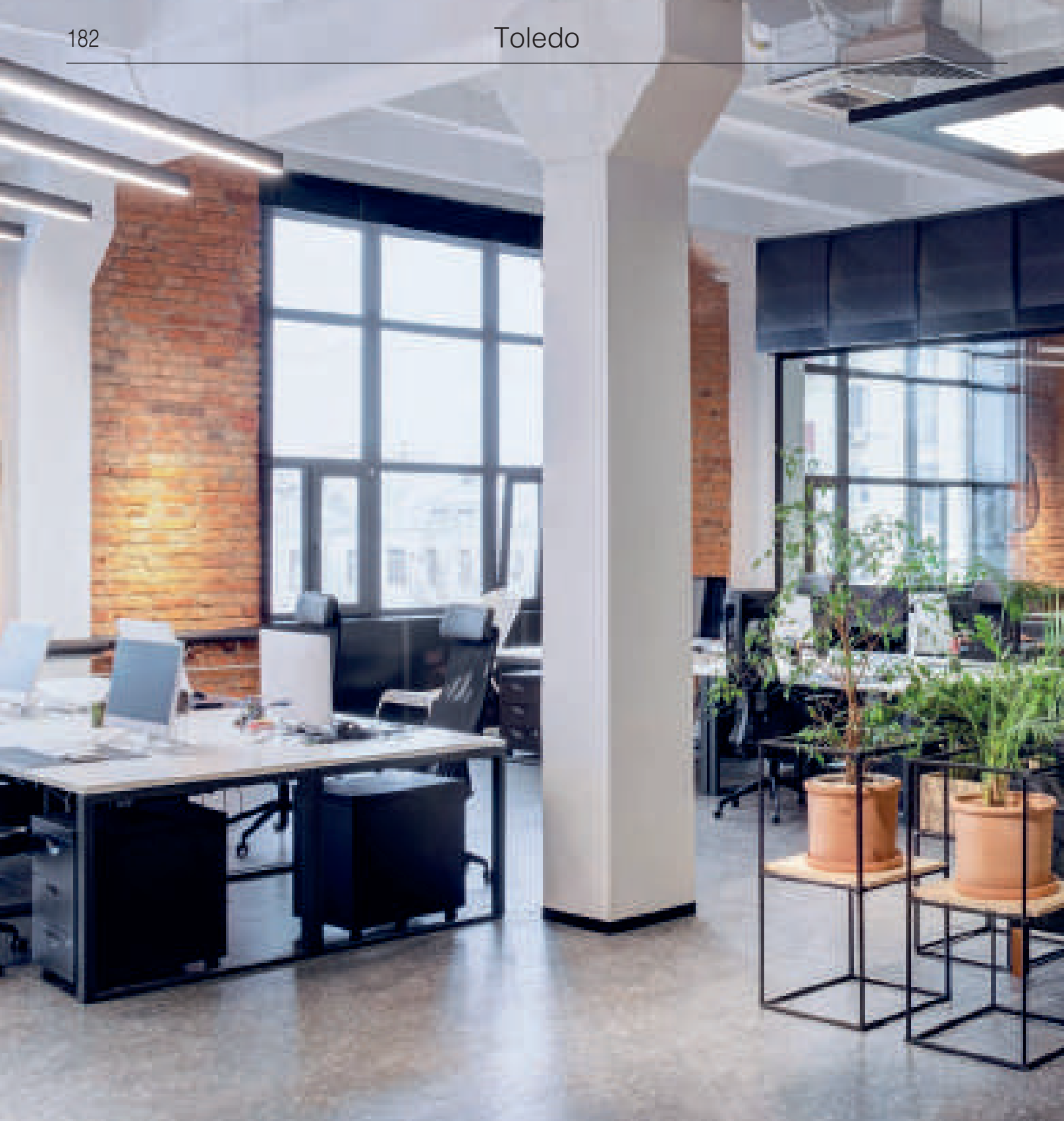
EM power kit	
1h	22096035-00
3h	22096037-00

EM (emergency) lamp power kit complete with connectors.



INSTALLATION ON SHOOKS					
100	100	100	100	150/300	200
✓	✓	✓*	✓*	✗	✗

✓\* = on request



**Toledo** recessed LED ceiling fixture with a very slender design and high-efficiency 3000K/4000K LED sources, offers a very bright and diffused lighting, while keeping energy consumptions extremely low and setting itself as the ideal solution for general and functional lighting applications.

**Housing and frame:** housing in galvanised steel sheet, and frame in aluminium, contact mounting on the cross T structure.

**Wiring:** rapid wiring connection, the fixture does not need to be opened.

**UGR glare index:** UGR<19 (in any situation). - EN 12464.

**LED:** luminous flux maintenance 80%; 50.000h (L80B20).

Power factor  $\geq 0.95$ .

Photobiological safety class: exempt group.

**Upon request:** version with CASAMBI automation lighting control system (fixtures **to be installed in NON-METALLIC false ceilings/panels**).  
For further information see chapter *Technical components*.





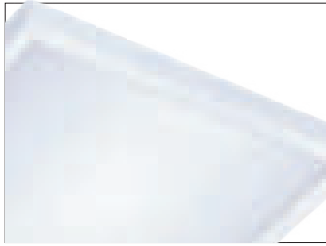
#### Classification of UGR values by applications

UGR	Classification
≤ 16	Very demanding applications (technical drawings)
≤ 19	Offices and schools (reading, writing, business meetings, computer work)
≤ 22	Industrial applications, craftsmen
> 28	High glare

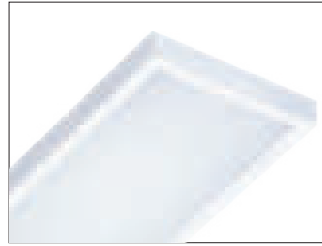
**The UGR** (unified glare rating) is an international unified measure developed by the CIE (Commission International de l'Eclairage) to assess the direct glare generated by a lighting system. The European standard regulating the lighting of indoor work places (**UNI-EN 12464-1**) recommends a specific UGR value for different appli-

cations ranging between **10 and 30**; **the lower the UGR value, the lower the glare**. The exact value of this index differs by project type because it depends on the position of the luminaires, room characteristics (dimensions, reflections) and on the point of observation of viewers.

Ceiling mounted installation with frame



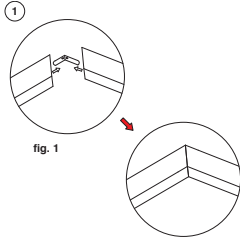
Frame for Toledo - 600x600 h70	
white	22097003-00
Frame in white-coated aluminium; to be used for ceiling installation.	



R Frame for Toledo - 1200x300 h70	
white	22097004-00
Frame in white-coated aluminium; to be used for ceiling installation.	

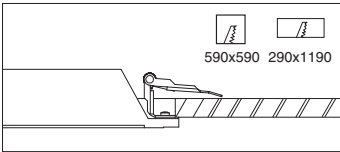
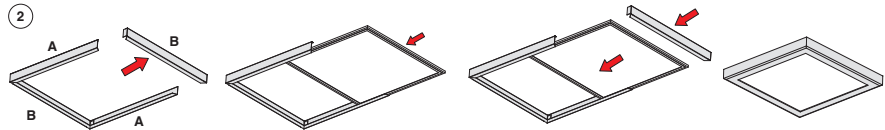
Frame for Toledo - 600x1200 h76	
white	22097005-00
Frame in white-coated aluminium; to be used for ceiling installation.	

1) Assembly the frame according to the following illustration (fig.1)

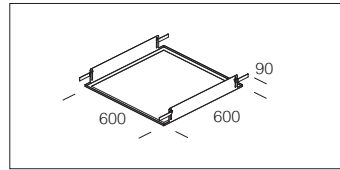


2) Installation

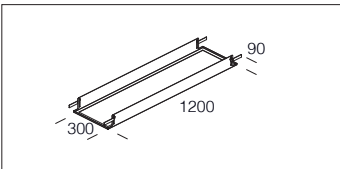
- Drill 4 holes at marking position with expansion screws and self-tapping screws (not screw too tight).
- Install the frame on the roof.
- Move and fix the ceiling frame (lift to right, or right to left) through hardy hole.
- Tighten self-tapping screws.
- Open the frame **B** on one side, insert the panel into the frame, then seal the frame with tightening screws.



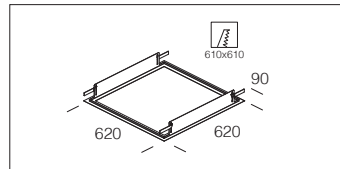
Springs for Toledo	
x 4	22024301-00
Springs for recess installation, not for surface-mount on plasterboard	



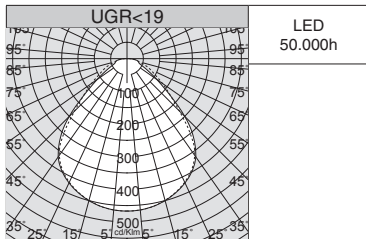
Frame - 600x600	
	22097010-00
Ideal for mounting the fixture in false ceilings with hidden structure.	



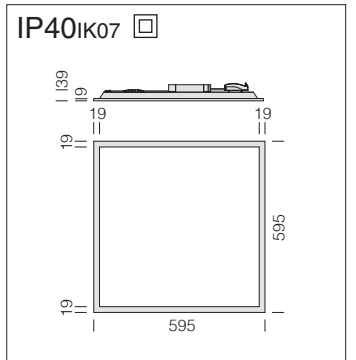
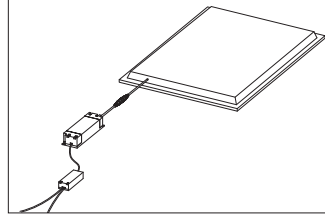
R Frame - 1200x300	
	22097014-00
Ideal for mounting the fixture in false ceilings with hidden structure.	



Frame - 620x620	
	22097015-00
Ideal for mounting the fixture in plasterboard false ceilings.	



Toledo HE: supplied standard with loop in wiring connection.

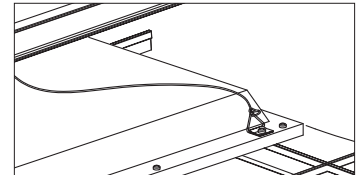


Diffuser: in prismatic engineering plastic with high thermal transmittance.

LED: power factor  $\geq 0.95$ . Luminous flux maintenance 80%; 50.000h (L80B20).

new

Toledo HE - UGR<19					
		CLD		LUMEN OUTPUT (tq= 25 °C)	
LED	colour	weight	code	W tot	K - ølm - CRI
LED	white	1.70	22150311-00	24	4000K - 3480lm - CRI>80



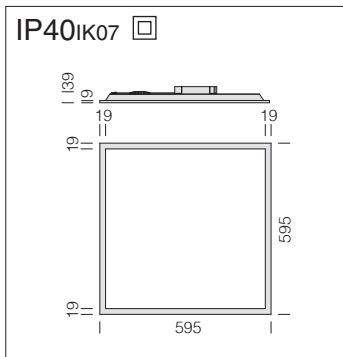
Standard hook for steel safety cord.

For 16A magnetothermic switch:  
B16 = max 30 pieces  
C16 = max 50 pieces

QUICK INSTALLATION!!!

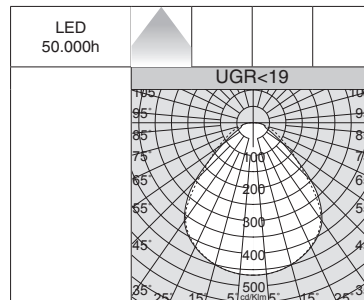


Toledo HE allows you to create a "LOOP-IN": a system to connect two or more luminaires to the power supply. As standard, Toledo HE comes with a terminal that allows the installer to connect the power line cable to the internal circuit through automatic wire clamps.



**Diffuser:** in prismatic engineering plastic with high thermal transmittance.

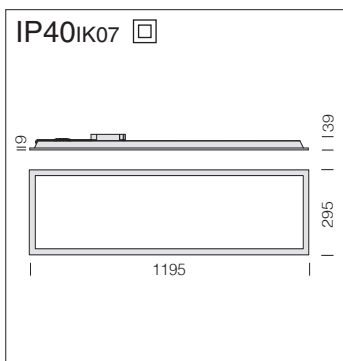
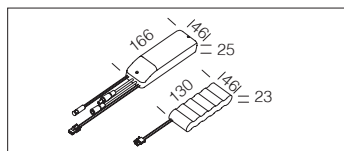
**LED:** power factor  $\geq 0.95$ . Luminous flux maintenance 80%; 50.000h (L80B20).



Toledo - UGR<19					
		CLD		LUMEN OUTPUT (tq= 25 °C)	
LED	colour	weight	code	W tot	K - ølm - CRI
LED	white	1.70	22150310-00	40	4000K - 4190lm - CRI>80
			22150310-39		3000K - 4065lm - CRI>80

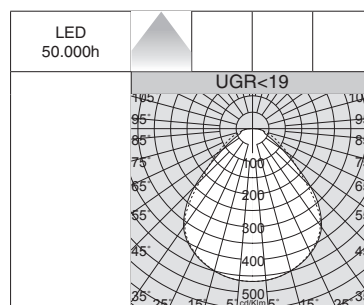
EM power kit	
1h	22096035-00
3h	22096037-00

EM (emergency) lamp power kit complete with connectors. Max 54W.



**Diffuser:** in prismatic engineering plastic with high thermal transmittance.

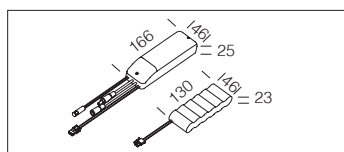
**LED:** power factor  $\geq 0.95$ . Luminous flux maintenance 80%; 50.000h (L80B20).

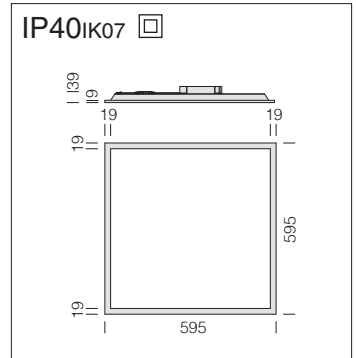
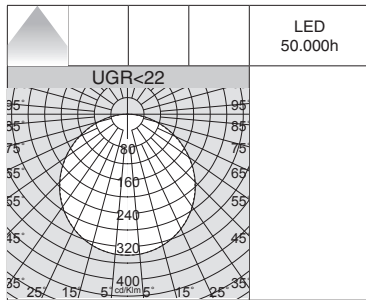


Toledo R2 - UGR<19					
		CLD		LUMEN OUTPUT (tq= 25 °C)	
LED	colour	weight	code	W tot	K - ølm - CRI
LED	white	2.00	22150410-00	40	4000K - 4190lm - CRI>80
			22150410-39		3000K - 4065lm - CRI>80

EM power kit	
1h	22096035-00
3h	22096037-00

EM (emergency) lamp power kit complete with connectors. Max 54W.

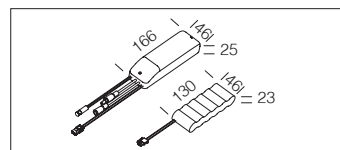




**Diffuser:** in opal engineering plastic with high transmittance.

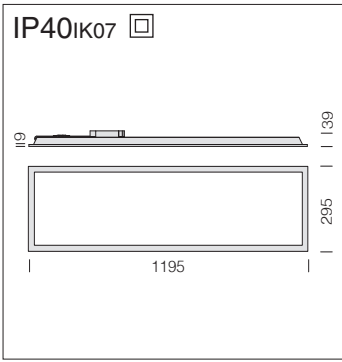
**LED:** power factor  $\geq 0.95$ . Luminous flux maintenance 80%; 50.000h (L80B20).

Toledo - UGR<22					
			CLD	LUMEN OUTPUT (tq= 25 °C)	
LED	colour	weight	code	W tot	K - ølm - CRI
LED	white	1.70	22150210-39	39	3000K - 4069lm - CRI>80
			22150210-00		4000K - 4375lm - CRI>80



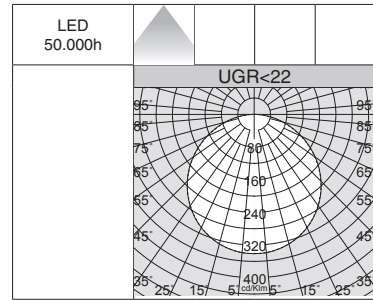
EM power kit	
1h	22096035-00
3h	22096037-00

EM (emergency) lamp power kit complete with connectors. Max 54W.



**Diffuser:** in opal engineering plastic with high transmittance.

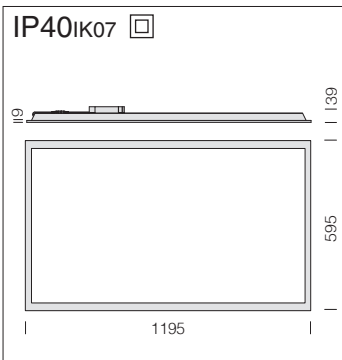
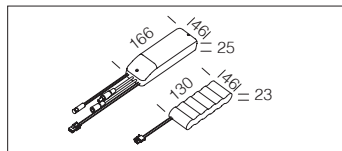
**LED:** power factor  $\geq 0.95$ . Luminous flux maintenance 80%; 50.000h (L80B20).



Toledo R2 - UGR<22					
		CLD		LUMEN OUTPUT (tq= 25 °C)	
LED	colour	weight	code	W tot	K - $\phi$ lm - CRI
LED	white	2.00	22150710-00	39	4000K - 4375lm - CRI>80
			22150710-39		3000K - 4069lm - CRI>80

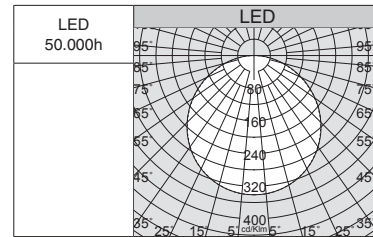
EM power kit	
1h	22096035-00
3h	22096037-00

EM (emergency) lamp power kit complete with connectors. Max 54W.

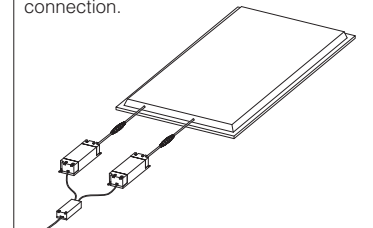


**Diffuser:** in opal engineering plastic with high transmittance.

**LED:** power factor  $\geq 0.95$ . Luminous flux maintenance 80%; 50.000h (L80B20).



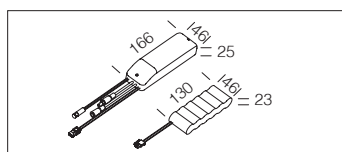
**Toledo R4:** supplied standard with double drivers suitable for loop in wiring connection.



Toledo R4 - UGR<22					
		CLD		LUMEN OUTPUT (tq= 25 °C)	
LED	colour	weight	code	W tot	K - $\phi$ lm - CRI
LED	white	3.40	22150810-00	78	4000K - 8750lm - CRI>80
			22150810-39		3000K - 8138lm - CRI>80

EM power kit	
1h	22096035-00
3h	22096037-00

EM (emergency) lamp power kit complete with connectors (for half circuit). Max 54W.





**Frame:** in aluminium.

**Inner slab:** in PMMA.

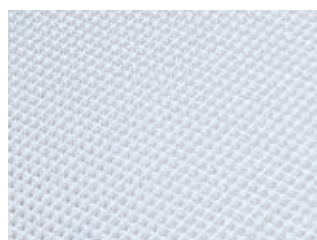
**Diffuser:** in opal engineering plastic with high transmittance.

**Wiring:** equipped with fast connector.

**LED:** high-efficiency light sources.

**Low Flicker:** product with a very low flicker; uniform light for greater eye protection.

**Upon request:** version with CASAMBI automation lighting control system (fixtures **to be installed in NON-METALLIC false ceilings/panels**).  
For further information see chapter *Technical components*.

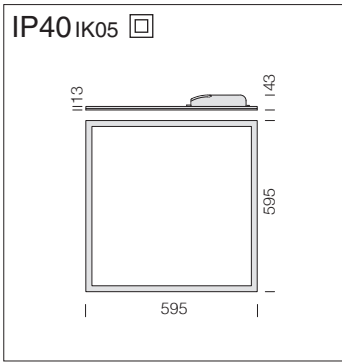


Construction quality is an important factor for the product's aesthetics and performance, turning into a key element to ensure reliability over time. In the case of Fosnova's Pannello and PanelTech, the slab is made in top-notch material, **PMMA** (poly methyl methacrylate), a polymer that keeps its characteristics unaltered in time and prevents the lens from yellowing.

Fosnova has produced Pannello and PanelTech with materials that ensure long lasting operation to save its original technical characteristics: 80% lumen maintenance for **40000±50000h** (L80B20), perfect colour rendering (**CRI≥80 or CRI>90 - CRI 93**), no glare (**UGR<19**) and low flicker level.

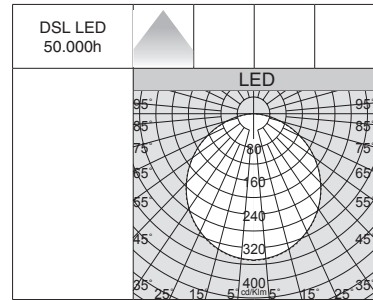
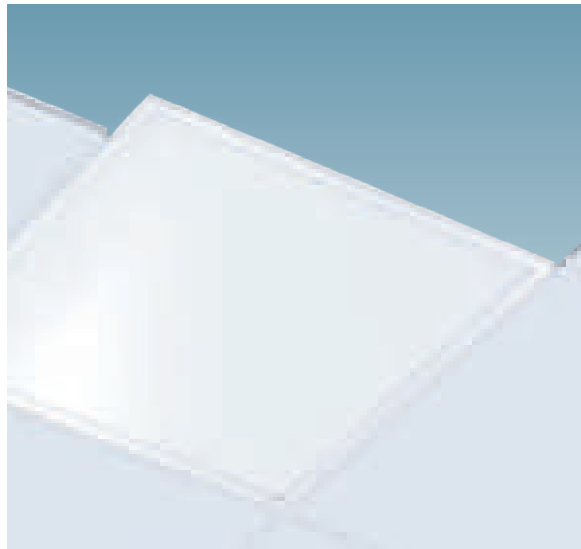






IP40 IK05

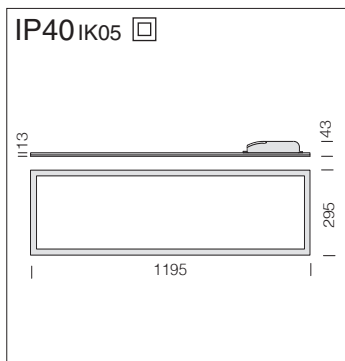
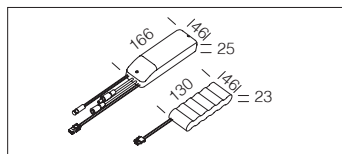
**Inner slab:** in PMMA.  
**LED:** luminous flux maintenance 80%: 50.000h (L80B20).  
 Power factor  $\geq 0.95$ .



Pannello B					
CLD				LUMEN OUTPUT (tq= 25 °C)	
LED	colour	weight	code	W tot	K - ølm - CRI
LED	white	2.90	22184371-00	34	4000K - 3560lm - CRI>80
			22184373-00		3000K - 3311lm - CRI>80

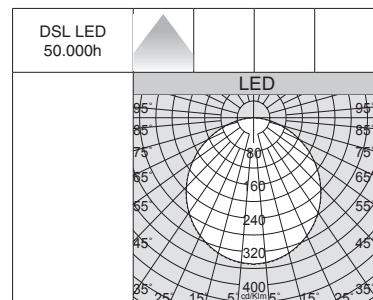
EM power kit	
1h	22096035-00
3h	22096037-00

EM (emergency) lamp power kit complete with connectors. Max 54W.



IP40 IK05

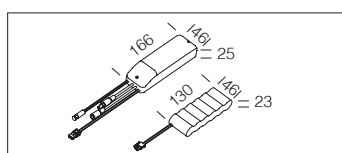
**Inner slab:** in PMMA.  
**LED:** luminous flux maintenance 80%: 50.000h (L80B20).  
 Power factor  $\geq 0.95$ .

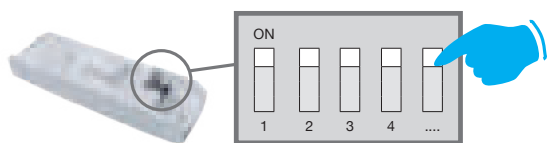


Pannello B - R2					
CLD				LUMEN OUTPUT (tq= 25 °C)	
LED	colour	weight	code	W tot	K - ølm - CRI
LED	white	2.90	22185216-00	34	4000K - 3560lm - CRI>80

EM power kit	
1h	22096035-00
3h	22096037-00

EM (emergency) lamp power kit complete with connectors. Max 54W.



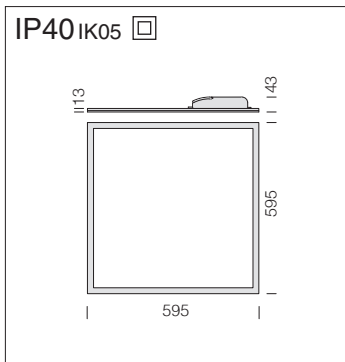


## ADAPT THE CURRENT TO ACHIEVE OPTIMAL LUMINOUS FLUX

**DIP SWITCH SETTING:** the fixture comes with a *DIP SWITCH* driver for **THE SETTING OF THE OUTPUT CURRENT**. In this way you, can **ENSURE THE BEST LUMINOUS FLUX** for any lighting design.

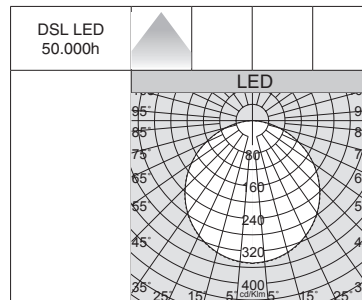
The possibility to choose the correct drive current for LEDs will allow you to have the right power under specific design conditions. Using a lower current will improve the efficiency of fixtures and therefore increase energy savings, whilst a higher current will result in a higher light flux so that you can reduce the number of fixtures.





Inner slab: in PMMA.

LED: luminous flux maintenance 80%: 50.000h (L80B20). Power factor  $\geq 0.95$ .

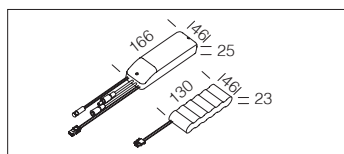


Pannello B - DIP SWITCH						
LED	colour	weight	CLD code	I out	W tot	LUMEN OUTPUT (tq= 25 °C) K - ølm - CRI
LED	white	2.90	22184301-00	900	30	4000K - 3202lm - CRI>80
			22184301-39			3000K - 3042lm - CRI>80

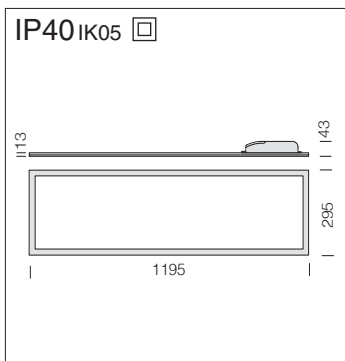
DIP SWITCH SETTING			LUMEN OUTPUT (tq= 25 °C)	
I out	W tot		K - ølm - CRI	
850	28		4000K - 3024lm - CRI>80	
900	30		4000K - 3202lm - CRI>80	
950	31		4000K - 3381lm - CRI>80	
1050	34		4000K - 3738lm - CRI>80	

EM power kit	
1h	22096035-00
3h	22096037-00

EM (emergency) lamp power kit complete with connectors. Max 54W.

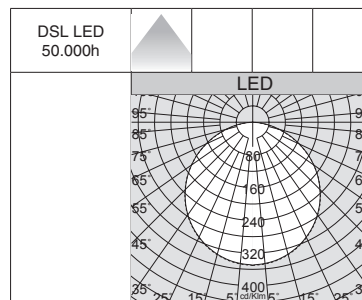
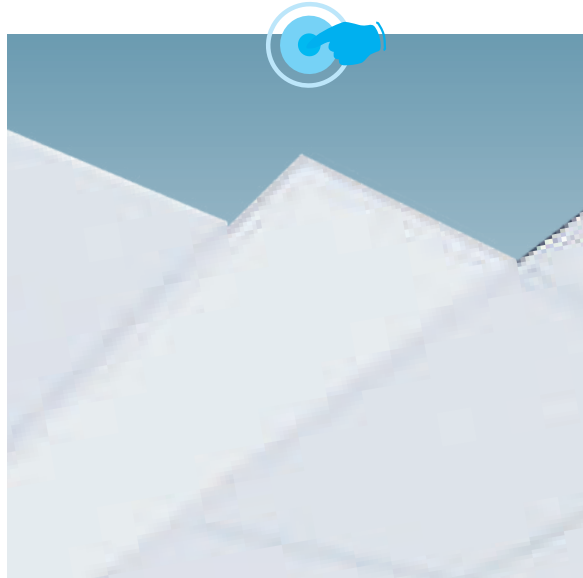


DIP SWITCH SETTING			LUMEN OUTPUT (tq= 25 °C)	
I out	W tot		K - ølm - CRI	
850	28		3000K - 2873lm - CRI>80	
900	30		3000K - 3042lm - CRI>80	
950	31		3000K - 3212lm - CRI>80	
1050	34		3000K - 3551lm - CRI>80	



Inner slab: in PMMA.

LED: luminous flux maintenance 80%: 50.000h (L80B20). Power factor  $\geq 0.95$ .

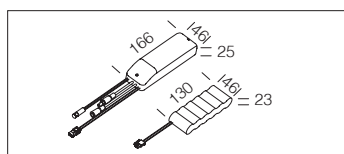


Pannello B - R2 - DIP SWITCH						
LED	colour	weight	CLD code	I out	W tot	LUMEN OUTPUT (tq= 25 °C) K - ølm - CRI
LED	white	2.90	22185204-00	850	34	4000K - 3738lm - CRI>80
			22185204-39			3000K - 3551lm - CRI>80

DIP SWITCH SETTING			LUMEN OUTPUT (tq= 25 °C)	
I out	W tot		K - ølm - CRI	
650	25		4000K - 2858lm - CRI>80	
700	27		4000K - 3079lm - CRI>80	
800	31		4000K - 3517lm - CRI>80	
850	34		4000K - 3738lm - CRI>80	

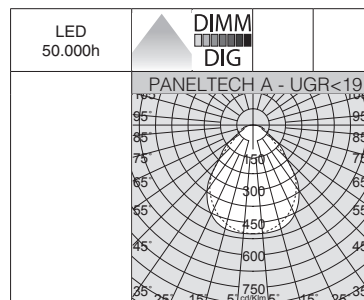
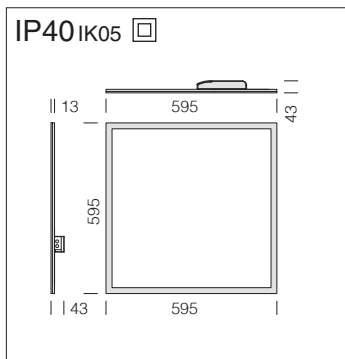
EM power kit	
1h	22096035-00
3h	22096037-00

EM (emergency) lamp power kit complete with connectors. Max 54W.



DIP SWITCH SETTING			LUMEN OUTPUT (tq= 25 °C)	
I out	W tot		K - ølm - CRI	
650	25		3000K - 2715lm - CRI>80	
700	27		3000K - 2924lm - CRI>80	
800	31		3000K - 3341lm - CRI>80	
850	34		3000K - 3551lm - CRI>80	



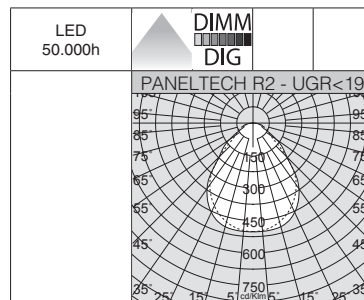
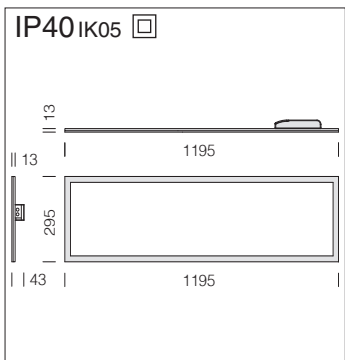
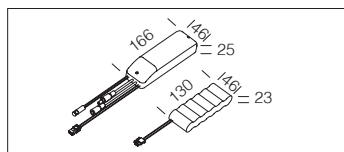


**Inner slab:** in PMMA.  
**Diffuser:** in prismatic engineering plastic with high transmittance.  
**LED:** luminous flux maintenance 80%: 50.000h (L80B20).  
 Power factor  $\geq 0.95$ .

PanelTech A - UGR<19						
LED	colour	weight	CLD code	CLD D-DIG (DALI) code	W tot	LUMEN OUTPUT (tq= 25 °C)
LED	white	2.90	22184810-00	22184810-1241	34	K - ølm - CRI
			22184811-00	22184811-1241		4000K - 3527lm - CRI>80
						3000K - 3353lm - CRI>80

EM power kit	
1h	22096035-00
3h	22096037-00

EM (emergency) lamp power kit complete with connectors. Max 54W.

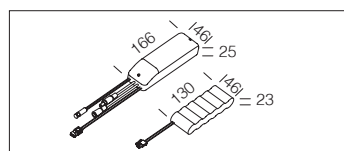


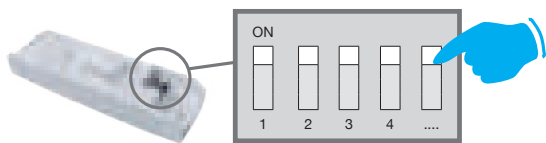
**Inner slab:** in PMMA.  
**Diffuser:** in prismatic engineering plastic with high transmittance.  
**LED:** luminous flux maintenance 80%: 50.000h (L80B20).  
 Power factor  $\geq 0.95$ .

PanelTech R2 - UGR<19						
LED	colour	weight	CLD code	CLD D-DIG (DALI) code	W tot	LUMEN OUTPUT (tq= 25 °C)
LED	white	2.90	22185210-00	22185210-1241	34	K - ølm - CRI
			22185211-00	22185211-1241		4000K - 3470lm - CRI>80
						3000K - 3353lm - CRI>80

EM power kit	
1h	22096035-00
3h	22096037-00

EM (emergency) lamp power kit complete with connectors. Max 54W.



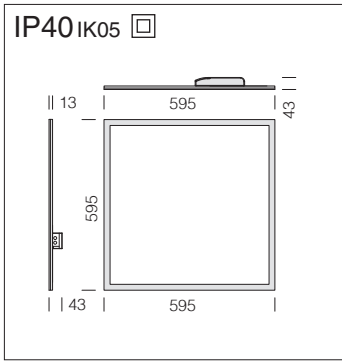


## ADAPT THE CURRENT TO ACHIEVE OPTIMAL LUMINOUS FLUX

**DIP SWITCH SETTING:** the fixture comes with a *DIP SWITCH* driver for **THE SETTING OF THE OUTPUT CURRENT**. In this way you, can **ENSURE THE BEST LUMINOUS FLUX** for any lighting design.

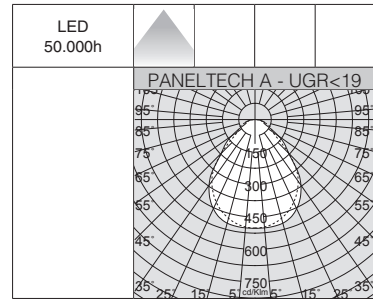
The possibility to choose the correct drive current for LEDs will allow you to have the right power under specific design conditions. Using a lower current will improve the efficiency of fixtures and therefore increase energy savings, whilst a higher current will result in a higher light flux so that you can reduce the number of fixtures.





**IP40IK05** □

**Inner slab:** in PMMA.  
**Diffuser:** in prismatic engineering plastic with high transmittance.  
**LED:** luminous flux maintenance 80%: 50.000h (L80B20).  
 Power factor ≥0.95.



- 
- 
- 
- 
- 
- RG0**
- 
- 
- new**

PanelTech A - UGR<19 - DIP SWITCH						
LED	colour	weight	CLD code	I out	W tot	LUMEN OUTPUT (tq= 25 °C) K - ølm - CRI
LED	white	2.90	22184802-00	950	31	4000K - 3385lm - CRI>80
			22184802-39			3000K - 3218lm - CRI>80

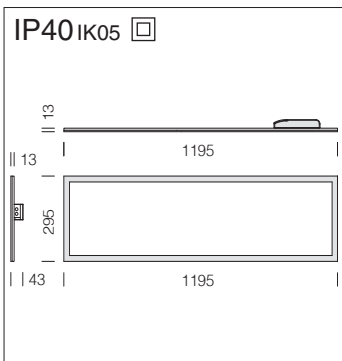
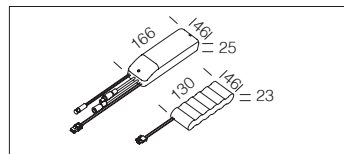
DIP SWITCH SETTING			LUMEN OUTPUT (tq= 25 °C) K - ølm - CRI	
I out	W tot			
850	28		4000K - 3072lm - CRI>80	
900	30		4000K - 3229lm - CRI>80	
950	31		4000K - 3385lm - CRI>80	
1050	34		4000K - 3703lm - CRI>80	

DIP SWITCH SETTING			LUMEN OUTPUT (tq= 25 °C) K - ølm - CRI	
I out	W tot			
850	28		3000K - 2921lm - CRI>80	
900	30		3000K - 3069lm - CRI>80	
950	31		3000K - 3218lm - CRI>80	
1050	34		3000K - 3521lm - CRI>80	

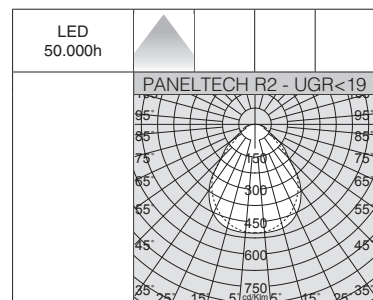
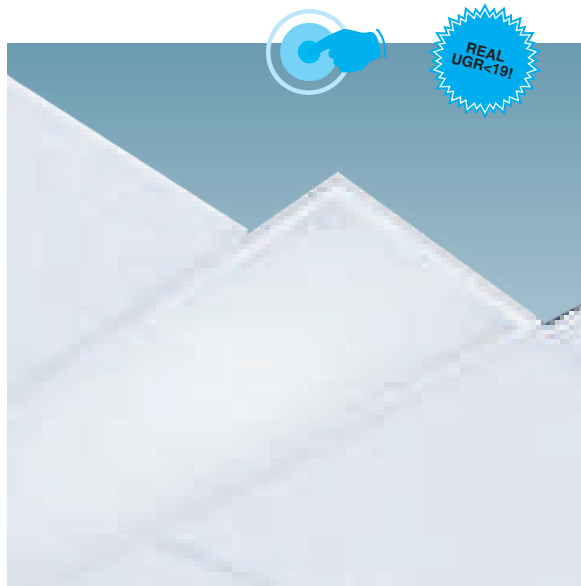
EM power kit	
1h	22096035-00
3h	22096037-00

EM (emergency) lamp power kit complete with connectors. Max 54W.



**IP40IK05** □

**Inner slab:** in PMMA.  
**Diffuser:** in prismatic engineering plastic with high transmittance.  
**LED:** luminous flux maintenance 80%: 50.000h (L80B20).  
 Power factor ≥0.95.



- 
- 
- 
- 
- 
- RG0**
- 
- 
- new**

PanelTech R2 - UGR<19 - DIP SWITCH						
LED	colour	weight	CLD code	I out	W tot	LUMEN OUTPUT (tq= 25 °C) K - ølm - CRI
LED	white	2.90	22185205-00	800	31	4000K - 3429lm - CRI>80
			22185205-39			3000K - 3258lm - CRI>80

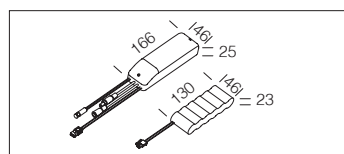
DIP SWITCH SETTING			LUMEN OUTPUT (tq= 25 °C) K - ølm - CRI	
I out	W tot			
650	25		4000K - 2786lm - CRI>80	
700	27		4000K - 3000lm - CRI>80	
800	31		4000K - 3429lm - CRI>80	
850	34		4000K - 3643lm - CRI>80	

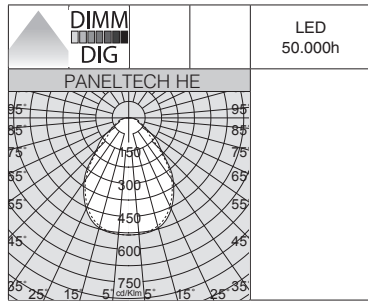
  

DIP SWITCH SETTING			LUMEN OUTPUT (tq= 25 °C) K - ølm - CRI	
I out	W tot			
650	25		3000K - 2646lm - CRI>80	
700	27		3000K - 2850lm - CRI>80	
800	31		3000K - 3258lm - CRI>80	
850	34		3000K - 3461lm - CRI>80	

EM power kit	
1h	22096035-00
3h	22096037-00

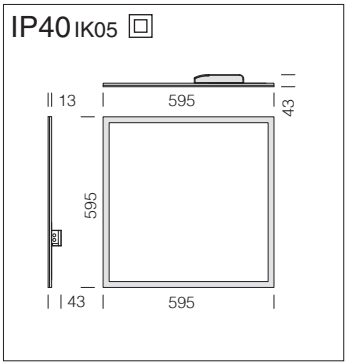
EM (emergency) lamp power kit complete with connectors. Max 54W.





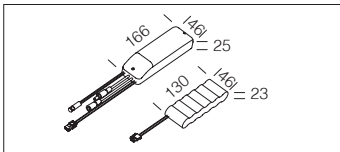
**To increase energy savings,**  
you may request the addition of:

- external motion and light sensors
- WIRELESS lighting management systems



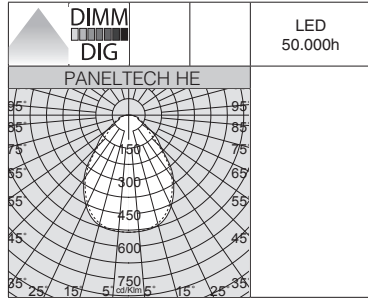
**Inner slab:** in PMMA.  
**Diffuser:** in prismatic engineering plastic with high transmittance.  
**LED:** luminous flux maintenance 80%: 50.000h (L80B20). Power factor ≥0.95.

PanelTech HE A2 - UGR<19							
		CLD		CLD D-DIG (DALI)		LUMEN OUTPUT (tq= 25 °C)	
LED	colour	weight	code	code	W tot	K - ølm - CRI	
LED	white	2.90	22184806-00	22184806-1241	27	4000K - 3585lm - CRI>80	



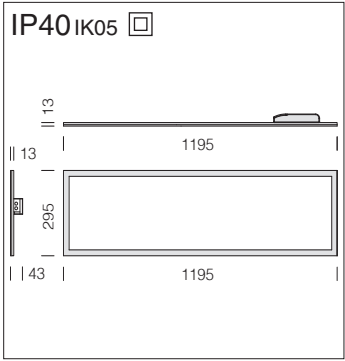
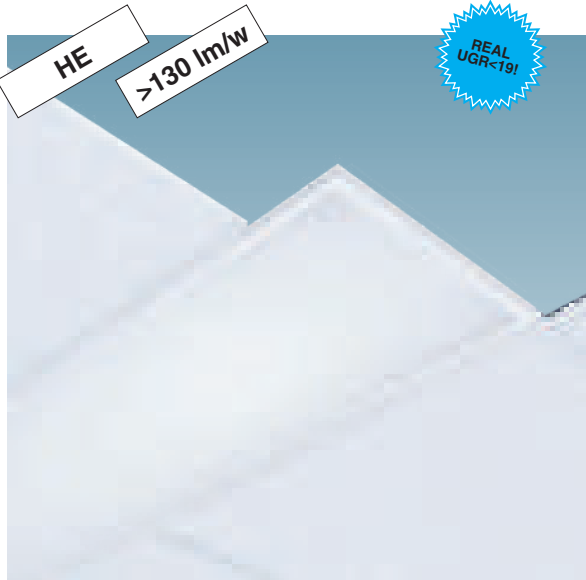
EM power kit	
1h	22096035-00
3h	22096037-00

EM (emergency) lamp power kit complete with connectors. Max 54W.



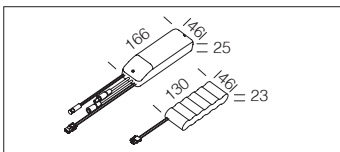
**To increase energy savings,**  
you may request the addition of:

- external motion and light sensors
- WIRELESS lighting management systems



**Inner slab:** in PMMA.  
**Diffuser:** in prismatic engineering plastic with high transmittance.  
**LED:** luminous flux maintenance 80%: 50.000h (L80B20). Power factor ≥0.95.

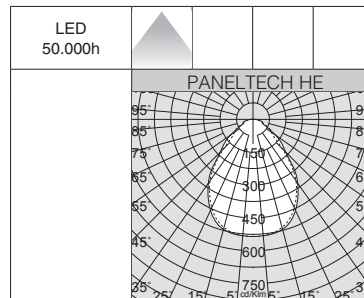
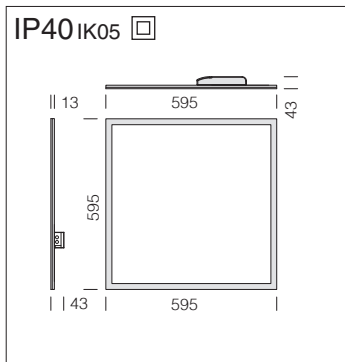
PanelTech HE R2 - UGR<19							
		CLD		CLD D-DIG (DALI)		LUMEN OUTPUT (tq= 25 °C)	
LED	colour	weight	code	code	W tot	K - ølm - CRI	
LED	white	2.90	22185203-00	22185203-1241	27	4000K - 3527lm - CRI>80	



EM power kit	
1h	22096035-00
3h	22096037-00

EM (emergency) lamp power kit complete with connectors. Max 54W.





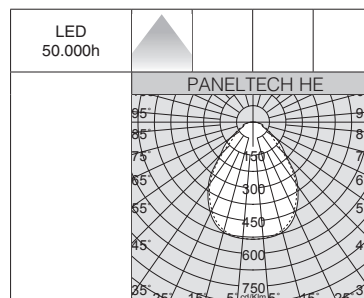
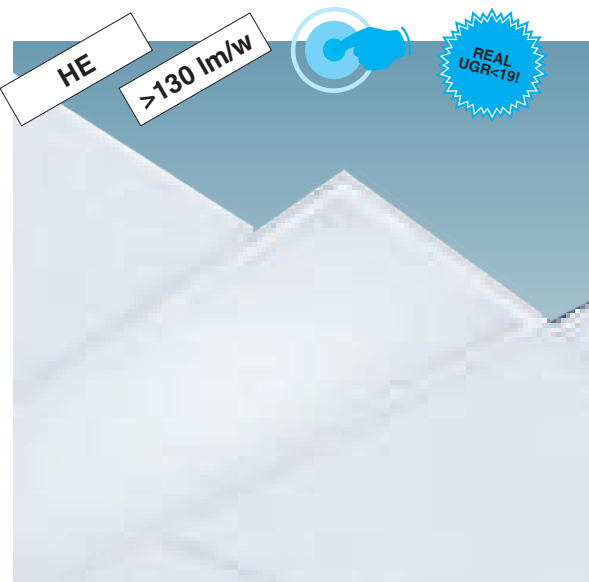
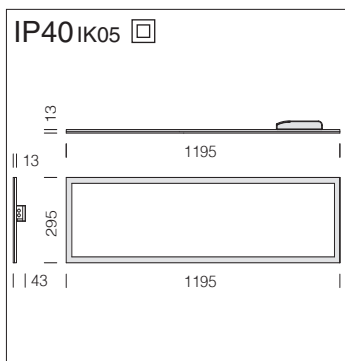
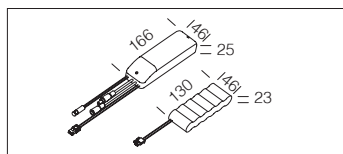
**Inner slab:** in PMMA.  
**Diffuser:** in prismatic engineering plastic with high transmittance.  
**LED:** luminous flux maintenance 80%: 50.000h (L80B20).  
 Power factor  $\geq 0.95$ .

PanelTech HE A2 - UGR<19 - DIP SWITCH						
		CLD		LUMEN USCENTI (tq= 25 °C)		
LED	colour	weight	code	I out	W tot	K - ølm - CRI
LED	white	2.90	22184807-00	700	26	4000K - 3625lm - CRI>80

DIP SWITCH SETTING						
		LUMEN OUTPUT (tq= 25 °C)				
I out	W tot	K - ølm - CRI				
700	26	4000K - 3625lm - CRI>80				
800	30	4000K - 4094lm - CRI>80				
900	34	4000K - 4620lm - CRI>80				
1000	37	4000K - 5021lm - CRI>80				

EM power kit	
1h	22096035-00
3h	22096037-00

EM (emergency) lamp power kit complete with connectors. Max 54W.



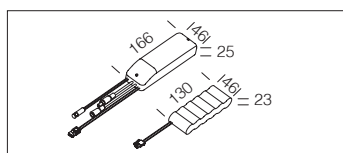
**Inner slab:** in PMMA.  
**Diffuser:** in prismatic engineering plastic with high transmittance.  
**LED:** luminous flux maintenance 80%: 50.000h (L80B20).  
 Power factor  $\geq 0.95$ .

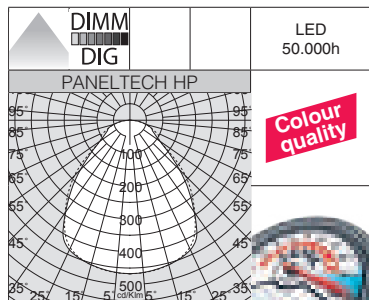
PanelTech HE R2 - UGR<19 - DIP SWITCH						
		CLD		LUMEN USCENTI (tq= 25 °C)		
LED	colour	weight	code	I out	W tot	K - ølm - CRI
LED	white	2.90	22185207-00	700	26	4000K - 3566lm - CRI>80

DIP SWITCH SETTING						
		LUMEN OUTPUT (tq= 25 °C)				
I out	W tot	K - ølm - CRI				
700	26	4000K - 3566lm - CRI>80				
800	30	4000K - 4028lm - CRI>80				
900	34	4000K - 4545lm - CRI>80				
1000	37	4000K - 4940lm - CRI>80				

EM power kit	
1h	22096035-00
3h	22096037-00

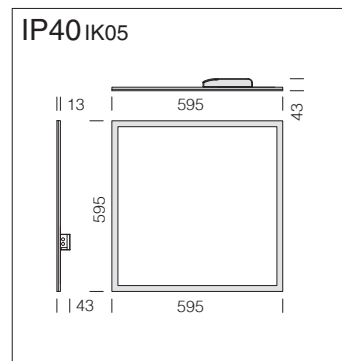
EM (emergency) lamp power kit complete with connectors. Max 54W.





To increase energy savings, you may request the addition of:

- external motion and light sensors
- WIRELESS lighting management systems



**IP40 IK05**

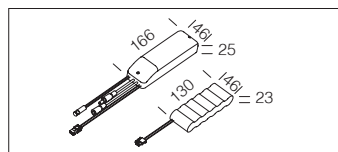
**Inner slab:** in PMMA.

**Diffuser:** in prismatic engineering plastic with high transmittance.

**LED:** luminous flux maintenance 80%: 50.000h (L80B20). Power factor  $\geq 0.95$ .

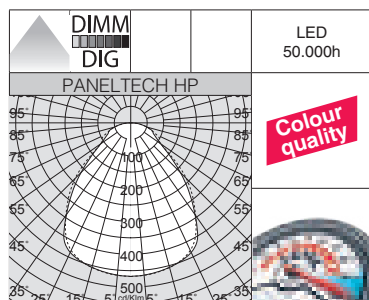
PanelTech HP A2						
		CLD		CLD D-DIG (DALI)		LUMEN OUTPUT (tq= 25 °C)
LED	colour	weight	code	code	W tot	K - $\phi$ lm - CRI
LED	white	2.90	22184812-00	22184812-1241	47	4000K - 4900lm - CRI 93
			22184815-00	22184815-1241	54*	4000K - 5300lm - CRI 93

\* 54W version not UGR<19.



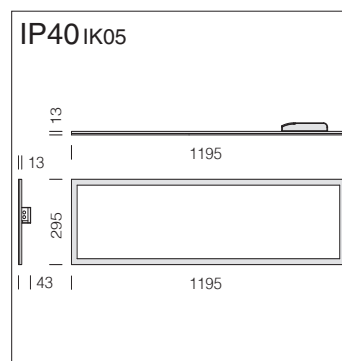
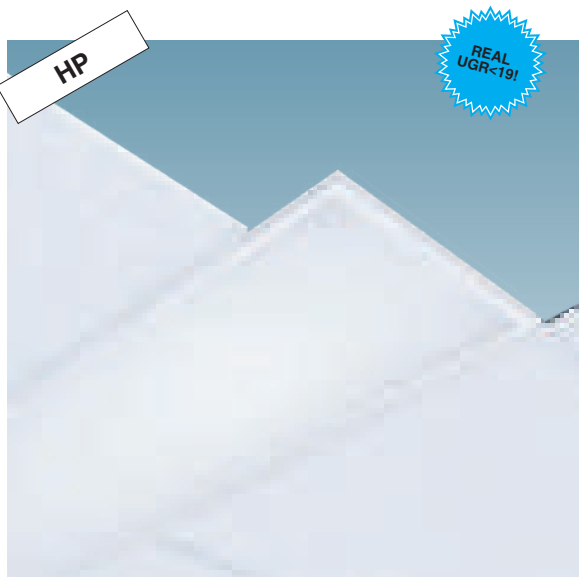
EM power kit	
1h	22096035-00
3h	22096037-00

EM (emergency) lamp power kit complete with connectors. Max 54W.



To increase energy savings, you may request the addition of:

- external motion and light sensors
- WIRELESS lighting management systems



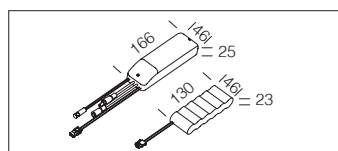
**IP40 IK05**

**Inner slab:** in PMMA.

**Diffuser:** in prismatic engineering plastic with high transmittance.

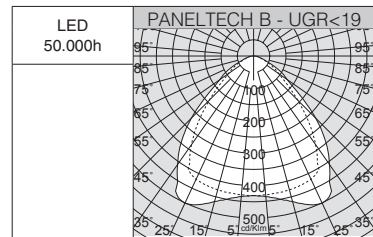
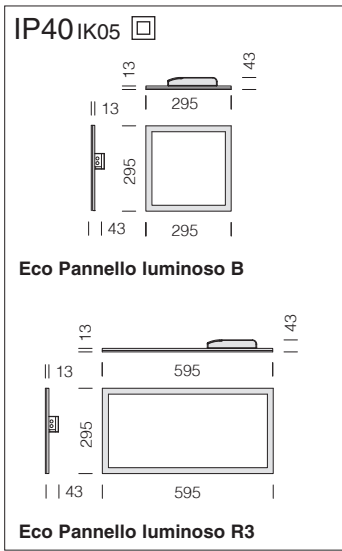
**LED:** luminous flux maintenance 80%: 50.000h (L80B20). Power factor  $\geq 0.95$ .

PanelTech HP R2						
		CLD		CLD D-DIG (DALI)		LUMEN OUTPUT (tq= 25 °C)
LED	colour	weight	code	code	W tot	K - $\phi$ lm - CRI
LED	white	2.90	22185212-00	22185212-1241	47	4000K - 4630lm - CRI 93



EM power kit	
1h	22096035-00
3h	22096037-00

EM (emergency) lamp power kit complete with connectors. Max 54W.



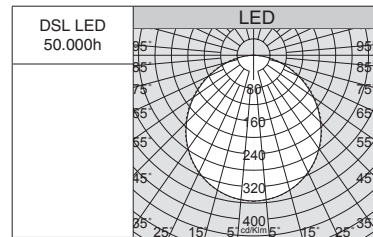
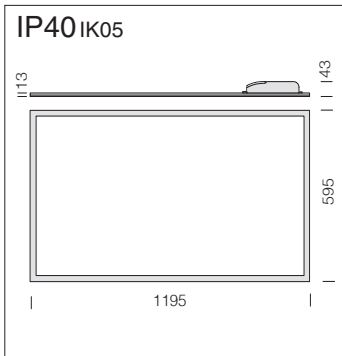
Inner slab: in PMMA.

Diffuser: in prismatic engineering plastic with high transmittance.

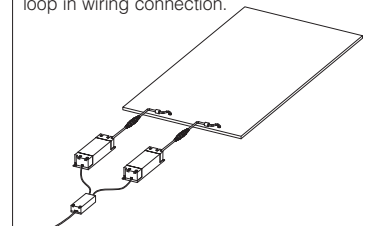
LED: luminous flux maintenance 80%: 50.000h (L80B20). Power factor  $\geq 0.95$ .

Eco Pannello luminoso B - UGR<19					
LED		CLD		LUMEN OUTPUT (tq= 25 °C)	
colour	weight	code	W tot	K - ølm - CRI	
LED white	1.20	22185410-00	17	4000K - 1600lm - CRI>90	
		22185411-00		3000K - 1488lm - CRI>90	

Eco Pannello luminoso R3 - UGR<19					
LED		CLD		LUMEN OUTPUT (tq= 25 °C)	
colour	weight	code	W tot	K - ølm - CRI	
LED white	1.80	22185310-00	20	4000K - 2100lm - CRI>90	
		22185311-00		3000K - 1953lm - CRI>90	



Eco Pannello luminoso R4: supplied standard with double drivers suitable for loop in wiring connection.



Inner slab: in PMMA.

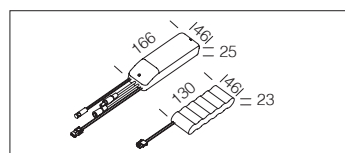
LED: luminous flux maintenance 80%: 50.000h (L80B20). Power factor  $\geq 0.95$ .

Eco Pannello luminoso R4					
LED		CLD		LUMEN OUTPUT (tq= 25 °C)	
colour	weight	code	W tot	K - ølm - CRI	
LED white	7.40	22185318-00	73	4000K - 6880lm - CRI 83	



EM power kit	
1h	22096035-00
3h	22096037-00

EM (emergency) lamp power kit complete with connectors (for half circuit). Max 54W.





**Ceiling mounted installation with frame**

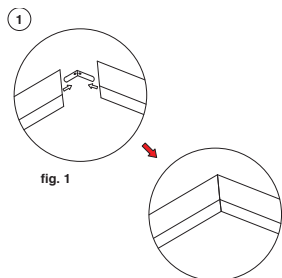


Frame - 600x600 h44	
white	22097001-00
Frame in white-coated aluminium; to be used for ceiling installation.	



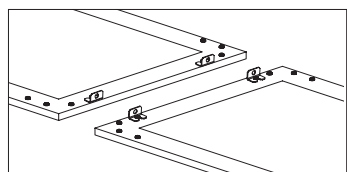
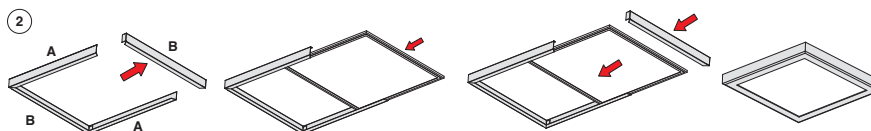
R Frame - 1200x300 h44	
white	22097002-00
Frame in white-coated aluminium; to be used for ceiling installation.	

**1) Assembly the frame according to the following illustration (fig.1)**

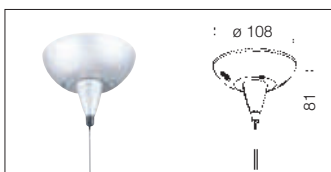


**2) Installation**

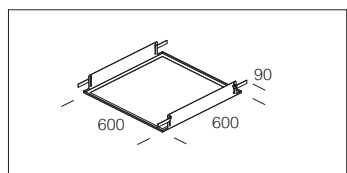
- Drill 4 holes at marking position with expansion screws and self-tapping screws (not screw too tight).
- Install the frame on the roof.
- Move and fix the ceiling frame (lift to right, or right to left) through handy hole.
- Tighten self-tapping screws.
- Open the frame **B** on one side, insert the panel into the frame, then seal the frame with tightening screws.



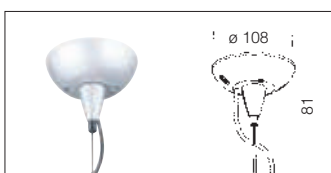
Alignment brackets	
steel	22026960-00
Utilize for the installation in continuous line.	



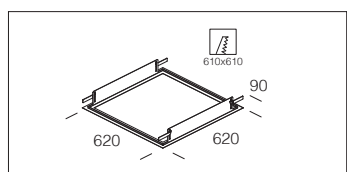
Suspension	
silver	22003171-00
white	22003112-00
Complete with steel wire (l = 100cm) and millimetre adjustment device. Max load: 20 kg.	



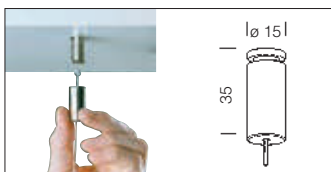
Frame - 600x600	
	22097010-00
Ideal for mounting the fixture in false ceilings with hidden structure.	



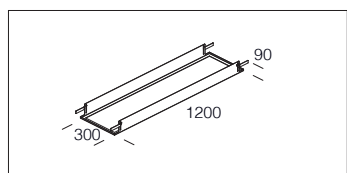
Powered suspension	
silver	22003173-00
white	22003113-00
Supplied with steel wire (l = 100cm) and millimetre adjustment device and power cord. Max loading: 20Kg.	



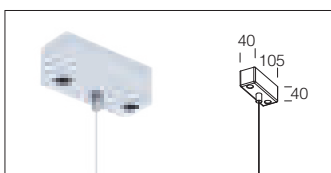
Frame - 620x620	
	22097015-00
Ideal for mounting the fixture in plasterboard false ceilings.	



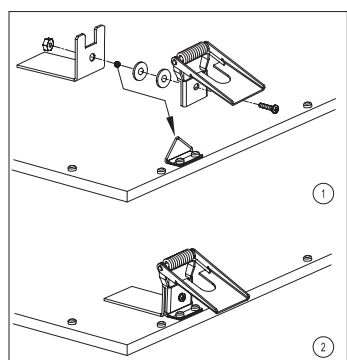
Simple suspension	
galvanised	22003166-00
Supplied with steel wire (l=1,75m) and millimetre adjustment device. Max load: 20 kg.	



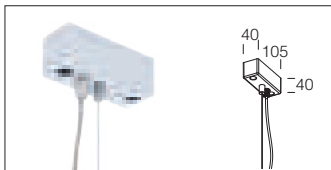
R Frame - 1200x300	
	22097014-00
Ideal for mounting the fixture in false ceilings with hidden structure.	



Suspension with wire	
silver	22003176-00
white	22003118-00
Complete with steel wire (l = 100cm) and millimetre adjustment device. Max load: 20 kg.	

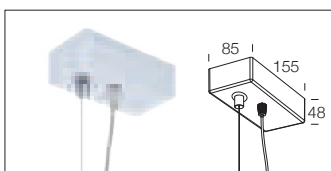


Springs for recessed	
x 4	22001491-00
x 6	22001492-00
Ideal for mounting the fixture in plasterboard false ceilings.	

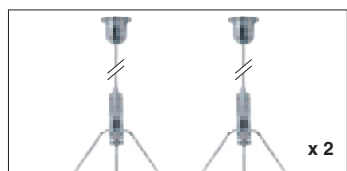


Powered suspension with wire	
silver	22003174-00
white	22003190-00
Supplied with steel wire (l = 100cm) and millimetre adjustment device and power cord. Max loading: 20Kg.	

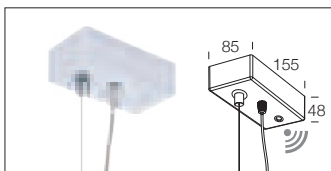
Pannello version	min/max recessed
295x595 acc. 22001491-00	min 280x580 max 285x585
295x295 acc. 22001491-00	min 280x280 max 285x285
595x595 acc. 22001491-00	min 580x580 max 585x585
295x1185 acc. 22001492-00	min 280x1180 max 285x1185



5P Powered suspension	
white	22003120-00
Supplied with steel wire (L = 100cm) and power cord. Max loading: 20Kg. For electric gear in <b>EM and DIMM DALI</b> versions.	



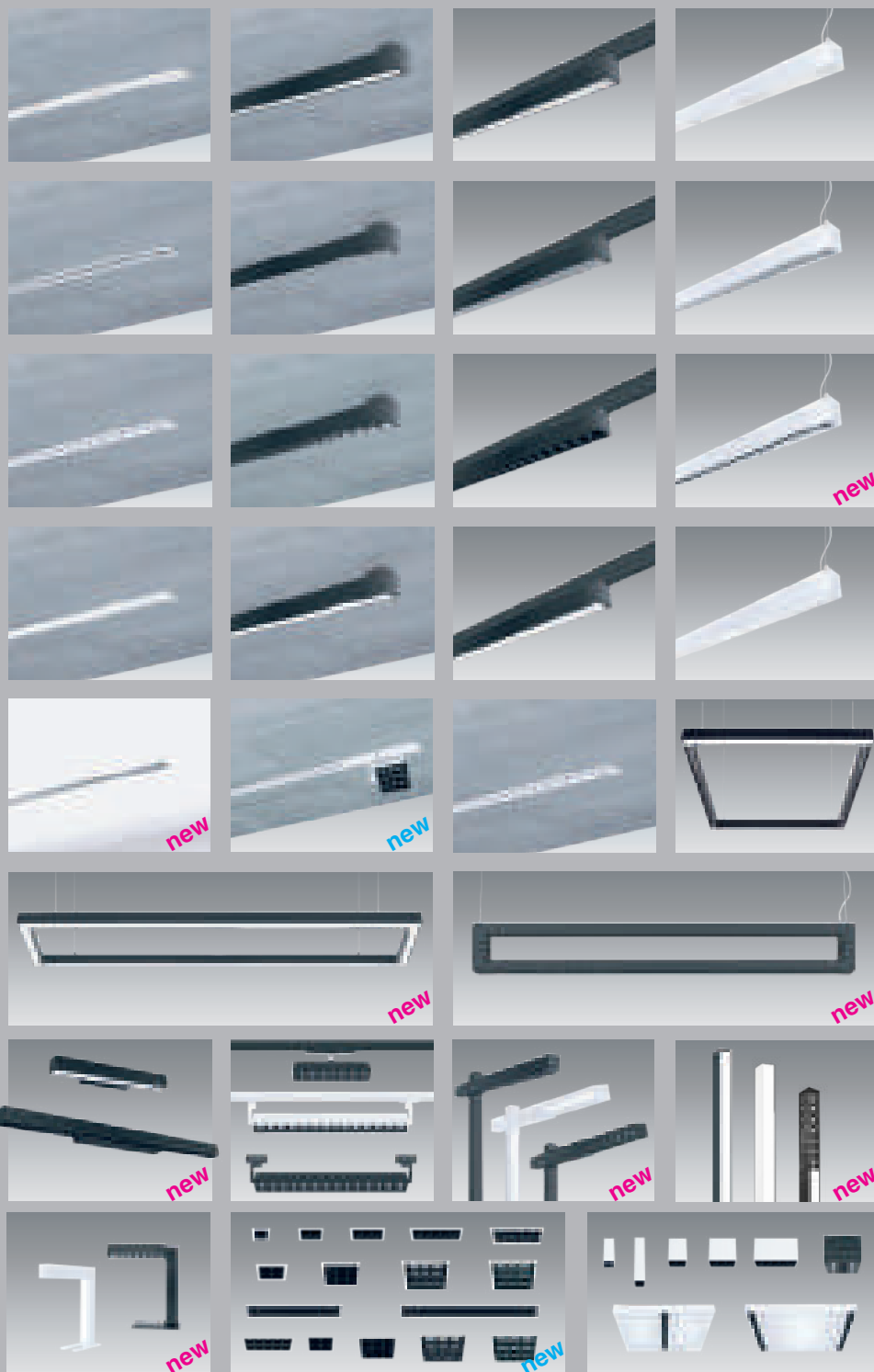
Suspension with Y cable	
steel	22003411-00
Ideal for suspending luminaires with 2 fixing points. The Y cable ensures the balance of the fixture. Kit supplied with Ø 1.5 mm steel cable (L=2 m standard). Load: max 15 kg. 2 per pack.	



5P WIRELESS Powered suspension	
white	22003125-00
Supplied with steel wire (L = 100cm) and power cord. Max loading: 20Kg. For the <b>WIRELESS</b> management of <b>DIMM DALI</b> versions ( <b>Out DALI : Max 7mA</b> ).	



LISET 2.0 SYSTEM



Liset 2.0 HE p. 214

Liset 2.0 Dark light p. 224

Liset 2.0 comfort optics p. 226

Liset 2.0 with diffuser p. 230

Liset 2.0 trimless p. 232

Liset 2.0 compositions p. 234

Liset 2.0 TW - HCL p. 242

Liset 2.0 UV p. 246

Liset 2.0 acc p. 248

Liset 2.0 SQ p. 252

Liset 2.0 RT p. 254

Liset 2.0 light blade p. 256

Liset 2.0 wall version p. 258

Liset 2.0 OR p. 262

Liset 2.0 OFFICE p. 264

Liset 2.0 HOME p. 266

Liset 2.0 tabletop p. 268

Liset 2.0 - M p. 274

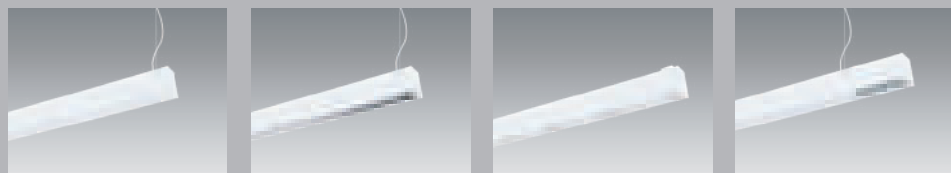
Liset 2.0 - W p. 277

Liset 2.0 - Spot MW p. 278

Liset 2.0 - Spot M p. 279

Liset 2.0 - Spot panel p. 280

SINTESI SYSTEM



Sintesi System p. 282

BOREALD



MICRO LISET PROFESSIONAL



PROFILE



STRIP LED



BoreaLED p. 296

Micro Liset Professional p. 298

Profile for Strip LED p. 300

Strip LED p. 302



**Liset 2.0** is a real multi-purpose lighting system studied to make the best use of the LED technology. Its clean lines and luminous efficiency ensure extraordinary light and colour effects. The system's extreme flexibility is guaranteed by the numerous compositions that can be made using the angular module to create ALL LIGHT solutions, which can offer uniform lighting of the space and constant visual comfort.

The system's main feature is the possibility to integrate a wide selection of additional recessed lights, ceiling spotlights and projectors from the Matrix Q series. Thanks to the different combinations of power, lumen, light beams and aesthetic finishes, Liset 2.0 System can perfectly fit into any architectural structure, enhancing both the showroom space and the items on display.

**Housing:** made of extruded aluminium.

**Heads:** in die cast aluminium.

**LED:** luminous flux maintenance 80%: 50.000h (L80B20). Power factor:  $\geq 0,92$ .  
Photobiological safety class: exempt group.

**Upon request:** version with CASAMBI automation lighting control system.  
For further information see chapter *Technical components*.





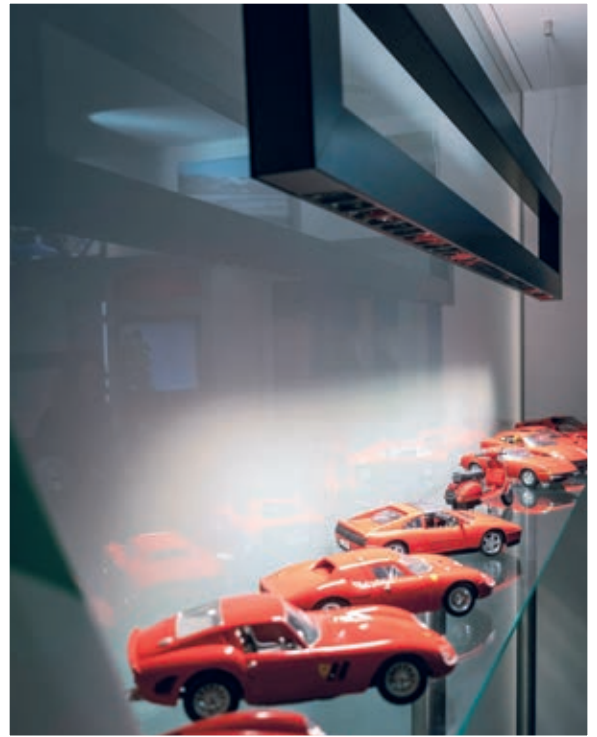
#### Classification of UGR values by applications

UGR	≤ 16	Very demanding applications (technical drawings)
	≤ 19	Offices and schools (reading, writing, business meetings, computer work)
	≤ 22	Industrial applications, craftsmen
	> 28	High glare

**The UGR** (unified glare rating) is an international unified measure developed by the CIE (Commission Internationale de l'Eclairage) to assess the direct glare generated by a lighting system. The European standard regulating the lighting of indoor work places (**UNI-EN 12464-1**) recommends a specific UGR value for different applications ranging between **10 and 30**; **the lower the UGR value,**

**the lower the glare.** The exact value of this index differs by project type because it depends on the position of the luminaires, room characteristics (dimensions, reflections) and on the point of observation of viewers.

**L**iset 2.0 is a linear and modular lighting system that is easily customisable and capable of offering a series of lighting solutions in any setting, including retailing, artistic and cultural spaces or in entrance lobbies and/or hospitality facilities. Compact, elegant, flexible and small, Liset 2.0 is simple to install as a recessed, ceiling, suspension or track lamp.

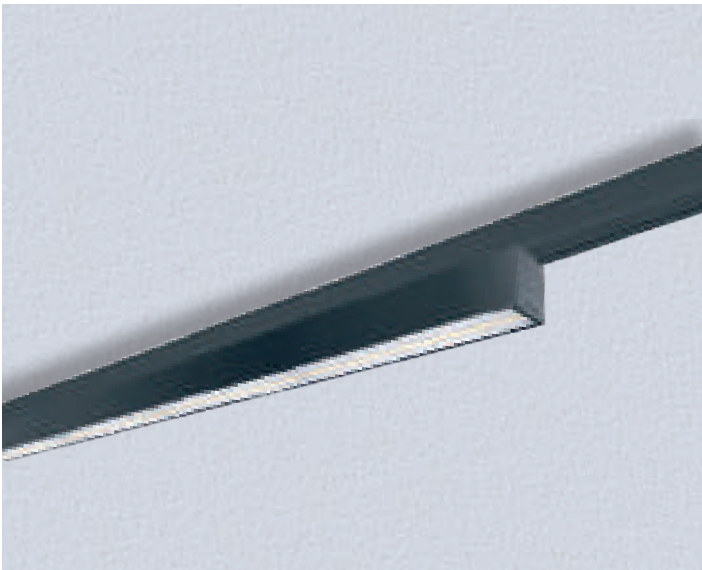




**Recessed and Trimless**



**Ceiling and Wall**



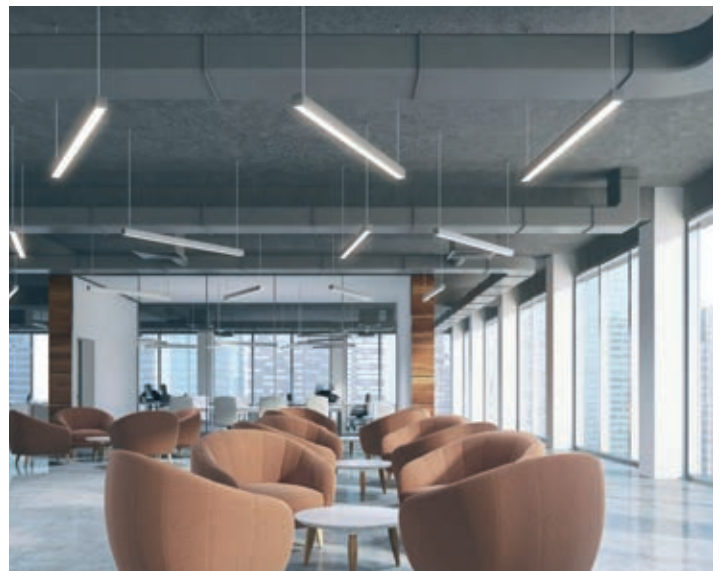
**Track**



**Suspension**



**Office/Home**

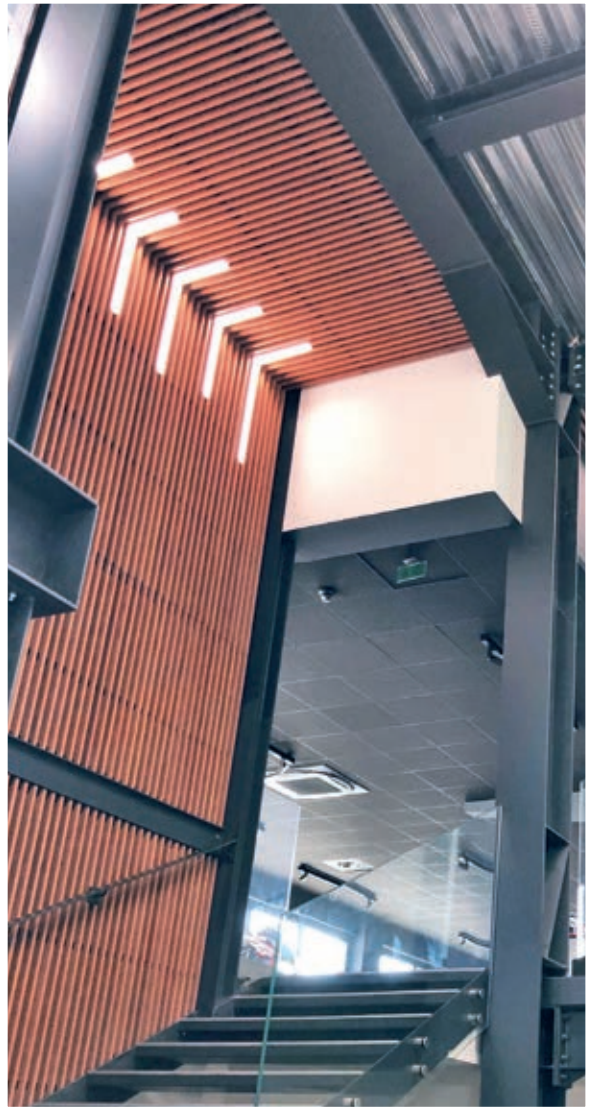


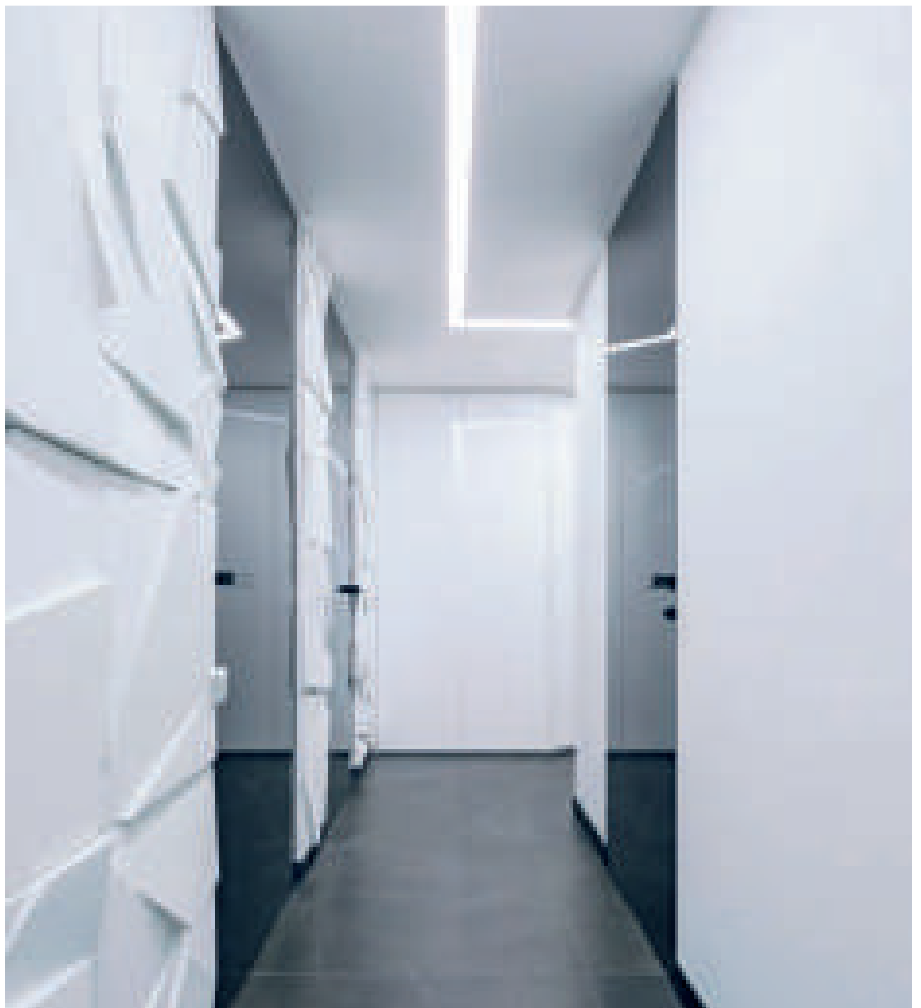
**TW/ HCL/UV**

**A**nanything is possible!

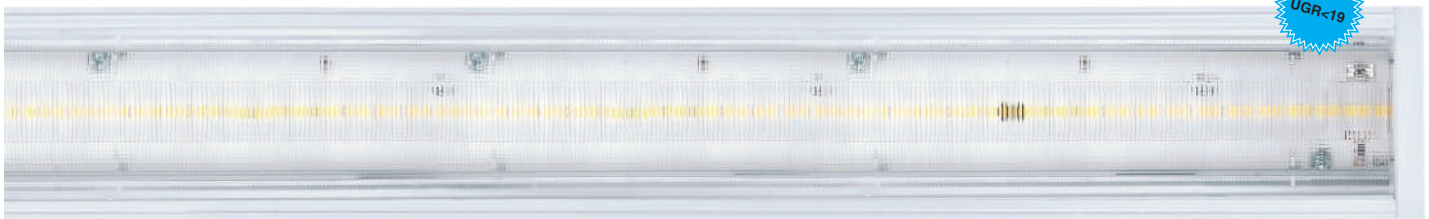
Creating lighting scenarios with Liset 2.0 has never been so exciting!

Thanks to the seamless material manufacturing, you can design ALL LIGHT linear patterns, with hidden 45° intersections for maximum freedom and creativity.





**L**iset 2.0 is available in versions with polycarbonate **HE optics**, with **dark light lamellar optics with UGR<19**, or with either **white, black and dark polycarbonate comfort optics** and **polycarbonate opal diffuser**. The entire range has latest generation 3000K/4000K LED sources with 80 CRI, making these products easy to fit into any lighting design project.



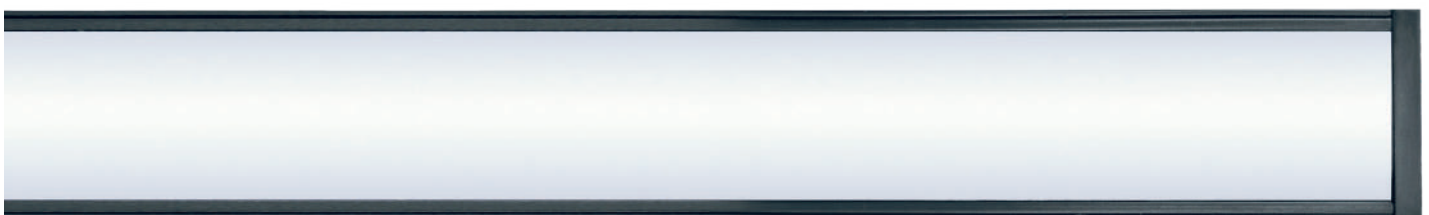
**High-Efficiency** polycarbonate optics with very low glare coefficient, resistant to high temperature and UV radiation. **90° WIDE-BEAM (60° Upon request), 30°X80° ELLIPTIC , ASYMMETRIC, BI-ASYMMETRIC, UGR19** optics version.



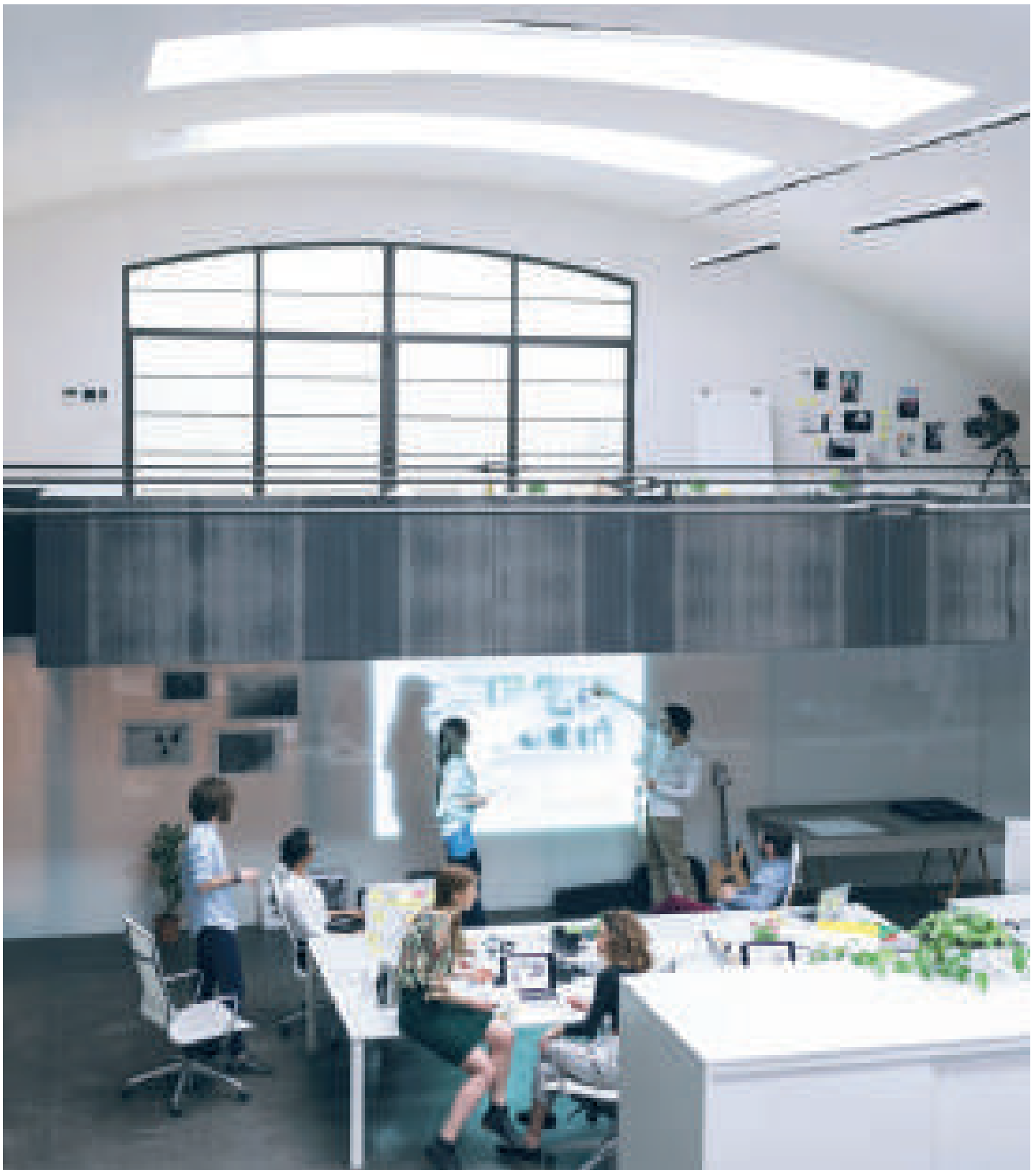
**Dark light louvre:** double parabolic louvres, in high-gloss 99.99 aluminium, anti-glare and anti-iridescence, very low luminance with PVD treatment.



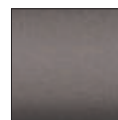
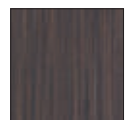
**Comfort optics:** in black, white (upon request) and dark metallized anti-glare polycarbonate for improved visual comfort.

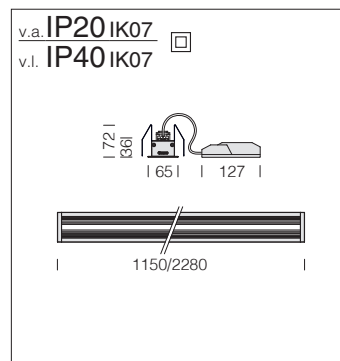
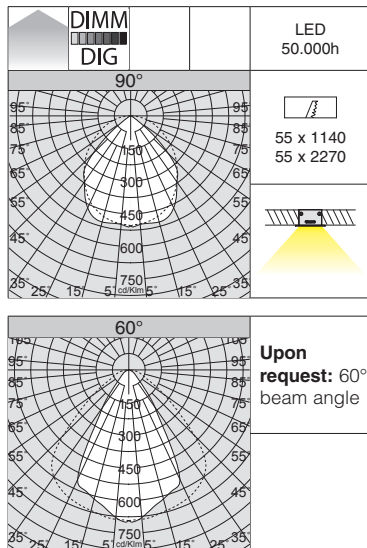


**Diffuser in opal polycarbonate,** anti-glare, shatterproof and self-extinguishing V2 polycarbonate, UV-stabilised.



## Colours and finishes:

smooth matt  
whitesmooth matt  
blacksmooth  
anodic icesmooth  
silversmooth  
golden beachsmooth  
bronzenatural light  
woodnatural dark  
wood



**Optics:** in polycarbonate, with very low glare coefficient, resistant to high temperature and UV radiation.

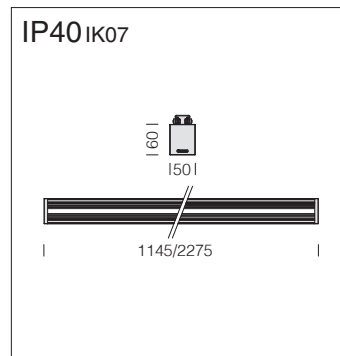
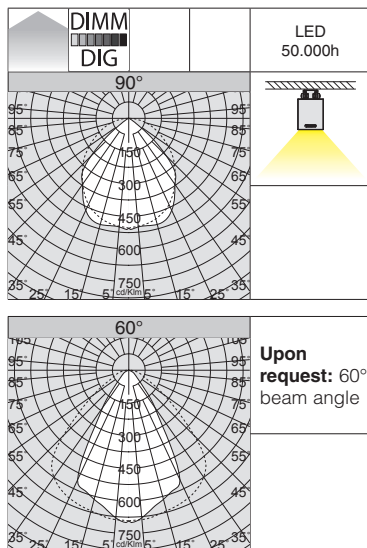
**LED:** luminous flux maintenance 80%: 50.000h (L80B20). Power factor  $\geq 0.92$ .

**Liset 2.0 HE - recessed - 90°**

LED	housing	L (mm)	weight	CLD		W tot	LUMEN OUTPUT (tq= 25 °C)	
				code	code		K - ølm - CRI	
LED 4 modules	white	1150	1,60	22303001-00	22303001-1241	29	4000K - 3336lm - CRI>80	
				22303001-39	22303001-3941		3000K - 3103lm - CRI>80	
LED 8 modules	white	2280	3,20	22303002-00	22303002-1241	56	4000K - 6673lm - CRI>80	
				22303002-39	22303002-3941		3000K - 6206lm - CRI>80	

Upon request: CRI>90 (3000K-4000K)

- version with black housing
- version with pass-through wiring for continuous line mounting with subcode **-0072**
- PUSH-DIMM version with sub-code **-1245** (4000K) or **-3945** (3000K)
- 1h EM version with subcode **-09** (4000K) or **-0928** (3000K) - 3h EM version with subcode **-31** (4000K) or **-3957** (3000K)



**Optics:** in polycarbonate, with very low glare coefficient, resistant to high temperature and UV radiation.

**LED:** luminous flux maintenance 80%: 50.000h (L80B20). Power factor  $\geq 0.92$ .

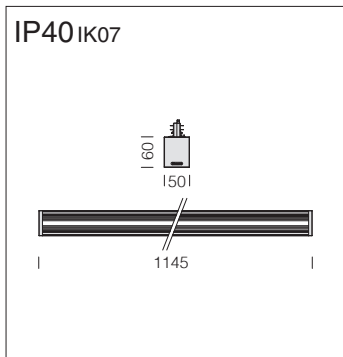
**Liset 2.0 HE - ceiling - 90°**

LED	housing	L (mm)	weight	CLD		W tot	LUMEN OUTPUT (tq= 25 °C)	
				code	code		K - ølm - CRI	
LED 4 modules	white	1145	2,40	22303003-00	22303003-1241	29	4000K - 3336lm - CRI>80	
	black			22303033-00	22303033-1241		3000K - 3103lm - CRI>80	
LED 4 modules	white	1145	2,40	22303003-39	22303003-3941	29	4000K - 6673lm - CRI>80	
	black			22303033-39	22303033-3941		3000K - 6206lm - CRI>80	
LED 8 modules	white	2275	4,80	22303004-00	22303004-1241	56	4000K - 6673lm - CRI>80	
	black			22303034-00	22303034-1241		3000K - 6206lm - CRI>80	
LED 8 modules	white	2275	4,80	22303004-39	22303004-3941	56	4000K - 6673lm - CRI>80	
	black			22303034-39	22303034-3941		3000K - 6206lm - CRI>80	

Upon request: CRI>90 (3000K-4000K)

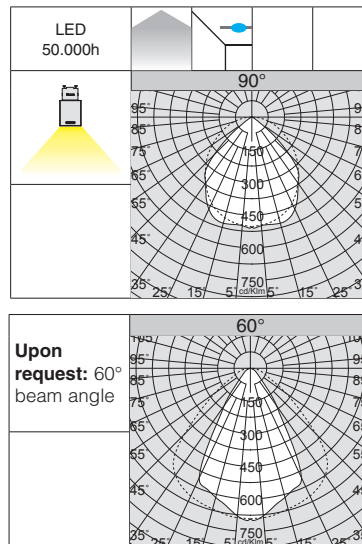
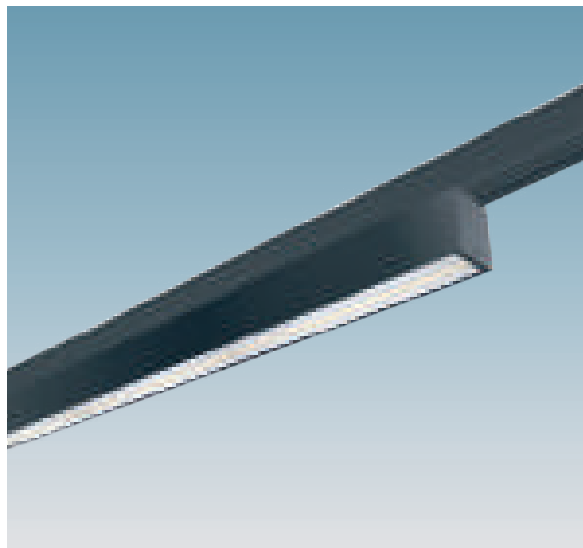
- version with pass-through wiring for continuous line mounting with subcode **-0072**
- PUSH-DIMM version with sub-code **-1245** (4000K) or **-3945** (3000K)
- 1h EM version with subcode **-09** (4000K) or **-0928** (3000K) - 3h EM version with subcode **-31** (4000K) or **-3957** (3000K)





**Optics:** in polycarbonate, with very low glare coefficient, resistant to high temperature and UV radiation.

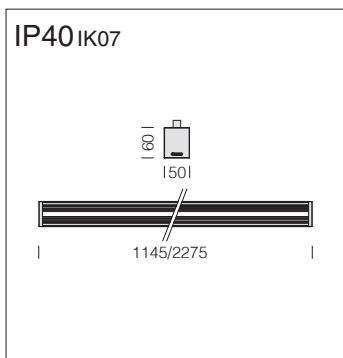
**LED:** luminous flux maintenance 80%: 50.000h (L80B20).  
Power factor  $\geq 0.92$ .



Liset 2.0 HE - track - 90°						
		CLD				LUMEN OUTPUT (tq= 25 °C)
LED	housing	L (mm)	weight	code	W tot	K - ølm - CRI
LED 4 modules	white	1145	2,40	22303006-00	29	4000K - 3336lm - CRI>80
	black			22303036-00		
LED 4 modules	white	1145	2,40	22303006-39	29	3000K - 3103lm - CRI>80
	black			22303036-39		

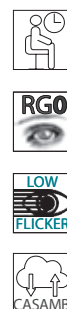
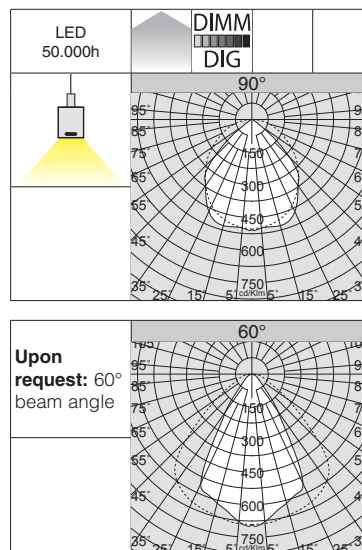
**Upon request: CRI>90 (3000K-4000K)**

- DIMM-DALI version with sub-code **-1241** (4000K) or **-3941** (3000K)
- PUSH-DIMM version with sub-code **-1245** (4000K) or **-3945** (3000K)
- 1h EM version with subcode **-09** (4000K) or **-0928** (3000K) - 3h EM version with subcode **-31** (4000K) or **-3957** (3000K); KIT EM for OMINTRACK PLUS to be purchased separately (see chapter Tracks)



**Optics:** in polycarbonate, with very low glare coefficient, resistant to high temperature and UV radiation.

**LED:** luminous flux maintenance 80%: 50.000h (L80B20).  
Power factor  $\geq 0.92$ .

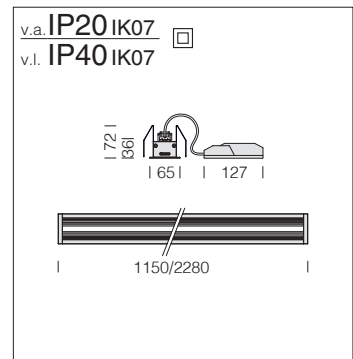
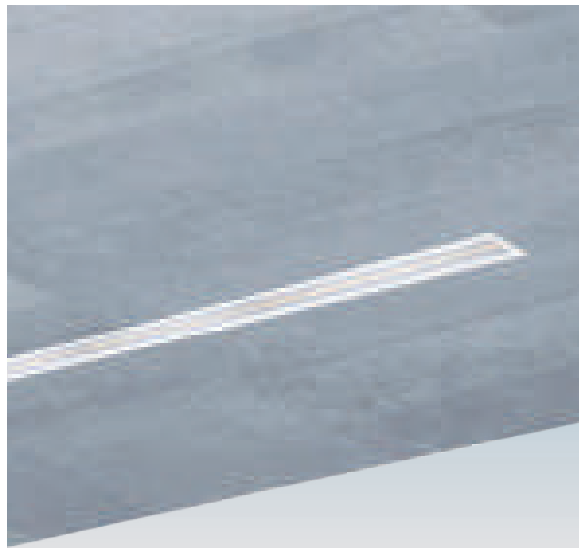
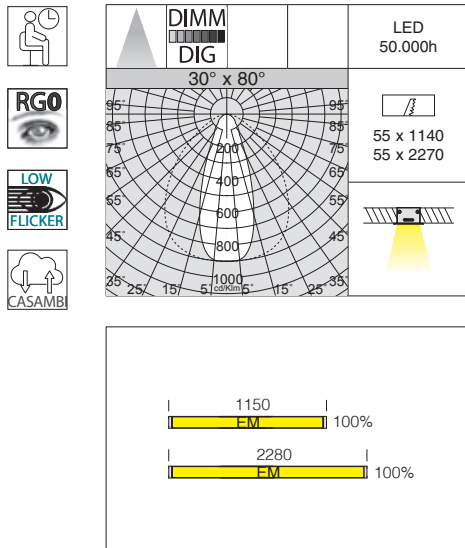


Liset 2.0 HE - suspension - direct light - 90°							
		CLD		CLD D-DIG (DALI)		LUMEN OUTPUT (tq= 25 °C)	
LED	housing	L (mm)	weight	code	code	K - ølm - CRI	
LED 4 modules	white	1145	2,40	22303008-00	22303008-1241	29	4000K - 3336lm - CRI>80
	black			22303038-00	22303038-1241		
LED 4 modules	white	1145	2,40	22303008-39	22303008-3941	29	3000K - 3103lm - CRI>80
	black			22303038-39	22303038-3941		
LED 8 modules	white	2275	4,80	22303009-00	22303009-1241	56	4000K - 6673lm - CRI>80
	black			22303039-00	22303039-1241		
LED 8 modules	white	2275	4,80	22303009-39	22303009-3941	56	3000K - 6206lm - CRI>80
	black			22303039-39	22303039-3941		

Complete with millimetre adjustment device; suspensions to be purchased separately (see accessories page).

**Upon request: CRI>90 (3000K-4000K)**

- version with pass-through wiring for continuous line mounting with subcode **-0072**
- PUSH-DIMM version with sub-code **-1245** (4000K) or **-3945** (3000K)
- 1h EM version with subcode **-09** (4000K) or **-0928** (3000K) - 3h EM version with subcode **-31** (4000K) or **-3957** (3000K)



**Optics:** in polycarbonate, with very low glare coefficient, resistant to high temperature and UV radiation.

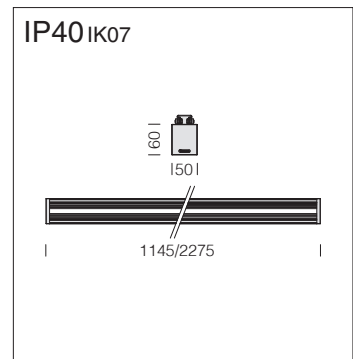
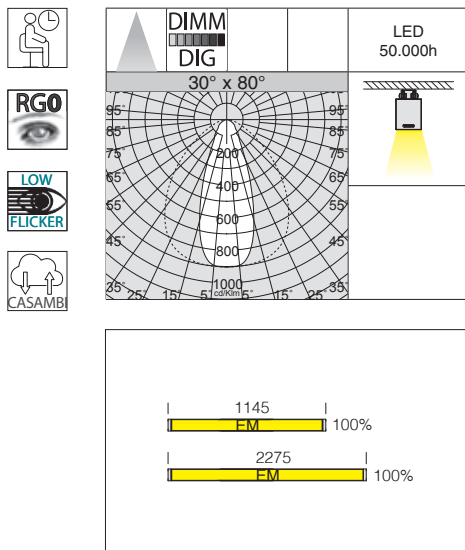
**LED:** luminous flux maintenance 80%: 50.000h (L80B20). Power factor  $\geq 0.92$ .

**Liset 2.0 HE - recessed - 30° x 80°**

LED	housing	L (mm)	weight	CLD	CLD D-DIG (DALI)	W tot	LUMEN OUTPUT (tq= 25 °C)
				code	code		K - ølm - CRI
LED 4 modules	white	1150	1,60	22303101-00	22303101-1241	29	4000K - 3319lm - CRI>80
				22303101-39	22303101-3941		3000K - 3087lm - CRI>80
LED 8 modules	white	2280	3,20	22303102-00	22303102-1241	56	4000K - 6638lm - CRI>80
				22303102-39	22303102-3941		3000K - 6174lm - CRI>80

Upon request: CRI>90 (3000K-4000K)

- version with black housing
- version with pass-through wiring for continuous line mounting with subcode **-0072**
- PUSH-DIMM version with sub-code **-1245** (4000K) or **-3945** (3000K)
- 1h EM version with subcode **-09** (4000K) or **-0928** (3000K) - 3h EM version with subcode **-31** (4000K) or **-3957** (3000K)



**Optics:** in polycarbonate, with very low glare coefficient, resistant to high temperature and UV radiation.

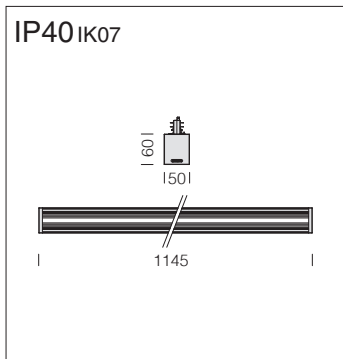
**LED:** luminous flux maintenance 80%: 50.000h (L80B20). Power factor  $\geq 0.92$ .

**Liset 2.0 HE - ceiling - 30° x 80°**

LED	housing	L (mm)	weight	CLD	CLD D-DIG (DALI)	W tot	LUMEN OUTPUT (tq= 25 °C)
				code	code		K - ølm - CRI
LED 4 modules	white	1145	2,40	22303104-00	22303104-1241	29	4000K - 3319lm - CRI>80
	black			22303134-00	22303134-1241		
LED 4 modules	white	1145	2,40	22303104-39	22303104-3941	29	3000K - 3087lm - CRI>80
	black			22303134-39	22303134-3941		
LED 8 modules	white	2275	4,80	22303105-00	22303105-1241	56	4000K - 6638lm - CRI>80
	black			22303135-00	22303135-1241		
LED 8 modules	white	2275	4,80	22303105-39	22303105-3941	56	3000K - 6174lm - CRI>80
	black			22303135-39	22303135-3941		

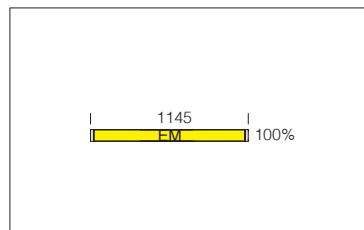
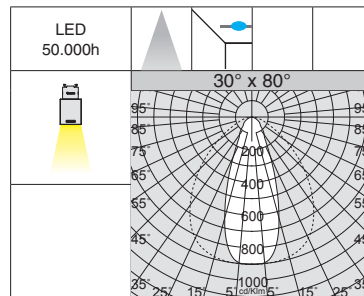
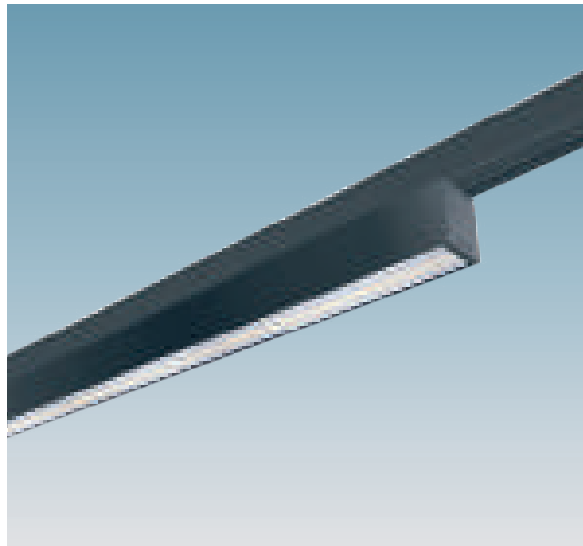
Upon request: CRI>90 (3000K-4000K)

- version with pass-through wiring for continuous line mounting with subcode **-0072**
- PUSH-DIMM version with sub-code **-1245** (4000K) or **-3945** (3000K)
- 1h EM version with subcode **-09** (4000K) or **-0928** (3000K) - 3h EM version with subcode **-31** (4000K) or **-3957** (3000K)



**Optics:** in polycarbonate, with very low glare coefficient, resistant to high temperature and UV radiation.

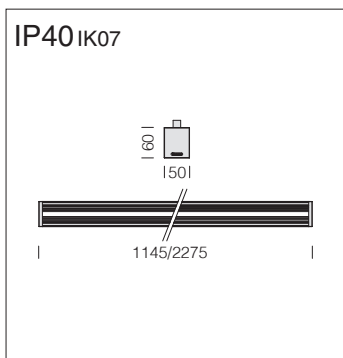
**LED:** luminous flux maintenance 80%: 50.000h (L80B20).  
Power factor ≥0.92.



Liset 2.0 HE - track - 30° x 80°						
		CLD			LUMEN OUTPUT (tq= 25 °C)	
LED	housing	L (mm)	weight	code	W tot	K - ølm - CRI
LED 4 modules	white	1145	2,40	22303107-00	29	4000K - 3319lm - CRI>80
	black			22303137-00		
LED 4 modules	white	1145	2,40	22303107-39	29	3000K - 3087lm - CRI>80
	black			22303137-39		

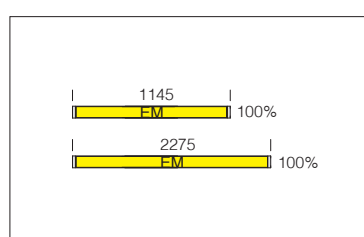
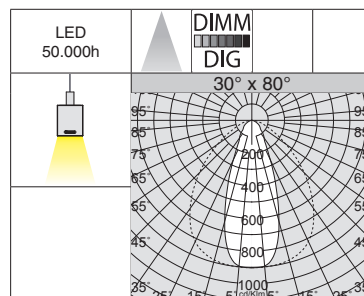
**Upon request: CRI>90 (3000K-4000K)**

- DIMM-DALI version with sub-code **-1241** (4000K) or **-3941** (3000K)
- PUSH-DIMM version with sub-code **-1245** (4000K) or **-3945** (3000K)
- 1h EM version with subcode **-09** (4000K) or **-0928** (3000K) - 3h EM version with subcode **-31** (4000K) or **-3957** (3000K); KIT EM for OMINTRACK PLUS to be purchased separately (see chapter *Tracks*)



**Optics:** in polycarbonate, with very low glare coefficient, resistant to high temperature and UV radiation.

**LED:** luminous flux maintenance 80%: 50.000h (L80B20).  
Power factor ≥0.92.

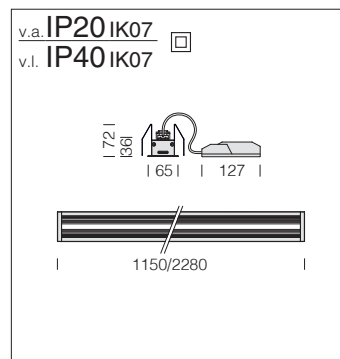
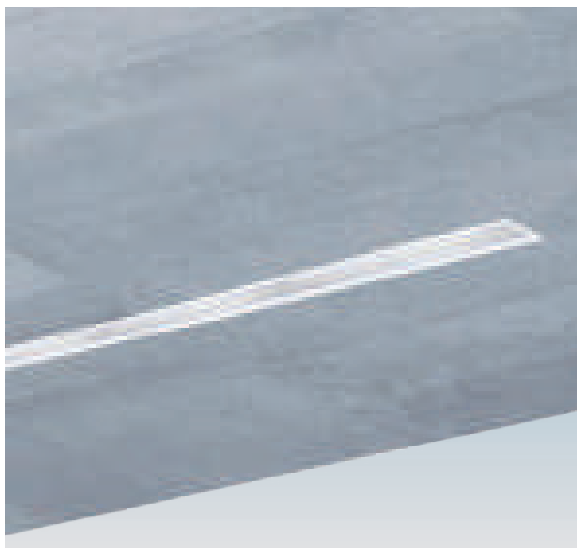
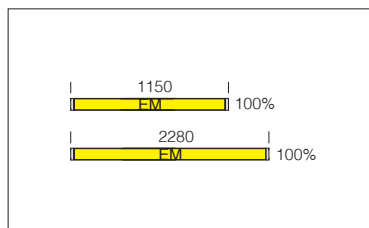
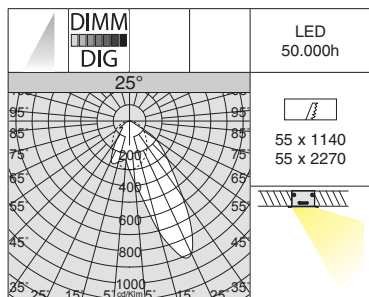


Liset 2.0 HE - suspension - direct light - 30° x 80°							
		CLD		CLD D-DIG (DALI)		LUMEN OUTPUT (tq= 25 °C)	
LED	housing	L (mm)	weight	code	code	K - ølm - CRI	
LED 4 modules	white	1145	2,40	22303110-00	22303110-1241	29	4000K - 3319lm - CRI>80
	black			22303130-00	22303130-1241		
LED 4 modules	white	1145	2,40	22303110-39	22303110-3941	29	3000K - 3087lm - CRI>80
	black			22303130-39	22303130-3941		
LED 8 modules	white	2275	4,80	22303111-00	22303111-1241	56	4000K - 6638lm - CRI>80
	black			22303131-00	22303131-1241		
LED 8 modules	white	2275	4,80	22303111-39	22303111-3941	56	3000K - 6174lm - CRI>80
	black			22303131-39	22303131-3941		

Complete with millimetre adjustment device; suspensions to be purchased separately (see accessories page).

**Upon request: CRI>90 (3000K-4000K)**

- version with pass-through wiring for continuous line mounting with subcode **-0072**
- PUSH-DIMM version with sub-code **-1245** (4000K) or **-3945** (3000K)
- 1h EM version with subcode **-09** (4000K) or **-0928** (3000K) - 3h EM version with subcode **-31** (4000K) or **-3957** (3000K)



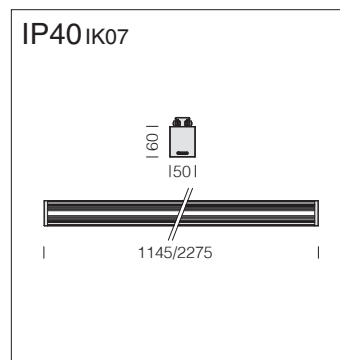
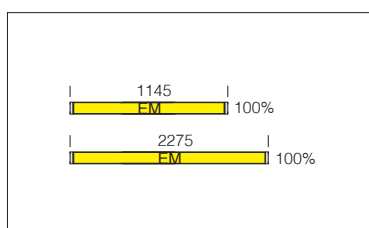
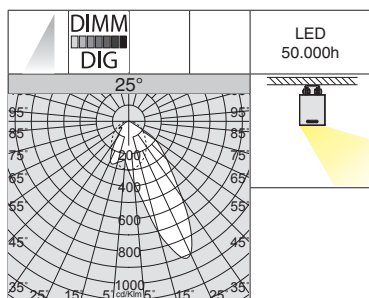
**Optics:** in polycarbonate, with very low glare coefficient, resistant to high temperature and UV radiation.

**LED:** luminous flux maintenance 80%: 50.000h (L80B20). Power factor  $\geq 0.92$ .

Liset 2.0 HE - recessed - 25° asymmetric optics						
LED	housing	L (mm)	weight	CLD code	CLD D-DIG (DALI) code	W tot
LED 4 modules	white	1150	1,60	22303201-00	22303201-1241	29
				22303201-39	22303201-3941	
LED 8 modules	white	2280	3,20	22303202-00	22303202-1241	56
				22303202-39	22303202-3941	

Upon request: CRI>90 (3000K-4000K)

- version with black housing
- version with pass-through wiring for continuous line mounting with subcode **-0072**
- PUSH-DIMM version with sub-code **-1245** (4000K) or **-3945** (3000K)
- 1h EM version with subcode **-09** (4000K) or **-0928** (3000K) - 3h EM version with subcode **-31** (4000K) or **-3957** (3000K)



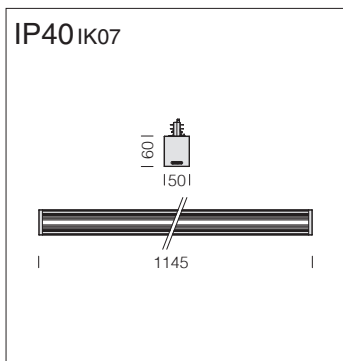
**Optics:** in polycarbonate, with very low glare coefficient, resistant to high temperature and UV radiation.

**LED:** luminous flux maintenance 80%: 50.000h (L80B20). Power factor  $\geq 0.92$ .

Liset 2.0 HE - ceiling - 25° asymmetric optics						
LED	housing	L (mm)	weight	CLD code	CLD D-DIG (DALI) code	W tot
LED 4 modules	white	1145	2,40	22303203-00	22303203-1241	29
	black			22303233-00	22303233-1241	
LED 4 modules	white	1145	2,40	22303203-39	22303203-3941	29
	black			22303233-39	22303233-3941	
LED 8 modules	white	2275	4,80	22303204-00	22303204-1241	56
	black			22303234-00	22303234-1241	
LED 8 modules	white	2275	4,80	22303204-39	22303204-3941	56
	black			22303234-39	22303234-3941	

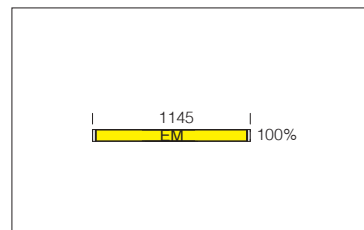
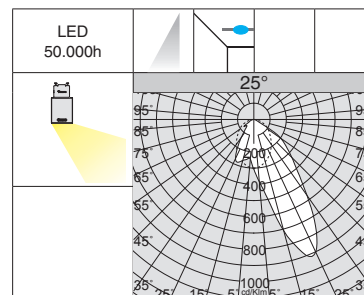
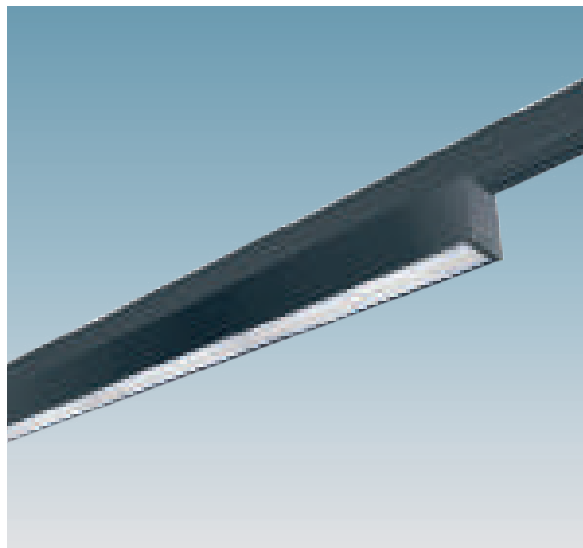
Upon request: CRI>90 (3000K-4000K)

- version with pass-through wiring for continuous line mounting with subcode **-0072**
- PUSH-DIMM version with sub-code **-1245** (4000K) or **-3945** (3000K)
- 1h EM version with subcode **-09** (4000K) or **-0928** (3000K) - 3h EM version with subcode **-31** (4000K) or **-3957** (3000K)



**Optics:** in polycarbonate, with very low glare coefficient, resistant to high temperature and UV radiation.

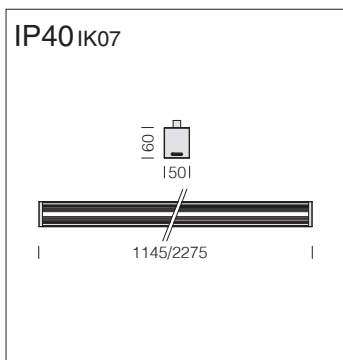
**LED:** luminous flux maintenance 80%: 50.000h (L80B20).  
Power factor ≥0.92.



Liset 2.0 HE - track - 25° asymmetric optics						
		CLD			LUMEN OUTPUT (tq= 25 °C)	
LED	housing	L (mm)	weight	code	W tot	K - ølm - CRI
LED 4 modules	white	1145	2,40	22303206-00	29	4000K - 3091lm - CRI>80
	black			22303236-00		
LED 4 modules	white	1145	2,40	22303206-39	29	3000K - 2875lm - CRI>80
	black			22303236-39		

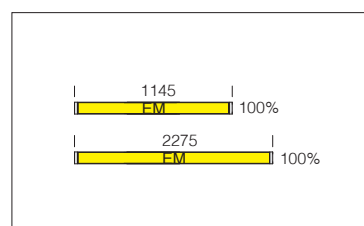
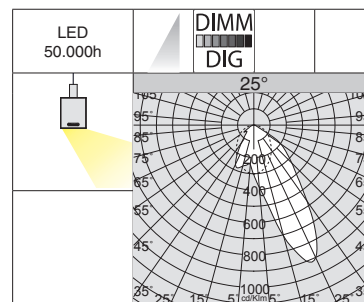
**Upon request: CRI>90 (3000K-4000K)**

- DIMM-DALI version with sub-code **-1241** (4000K) or **-3941** (3000K)
- PUSH-DIMM version with sub-code **-1245** (4000K) or **-3945** (3000K)
- 1h EM version with subcode **-09** (4000K) or **-0928** (3000K) - 3h EM version with subcode **-31** (4000K) or **-3957** (3000K); KIT EM for OMINTRACK PLUS to be purchased separately (see chapter *Tracks*)



**Optics:** in polycarbonate, with very low glare coefficient, resistant to high temperature and UV radiation.

**LED:** luminous flux maintenance 80%: 50.000h (L80B20).  
Power factor ≥0.92.

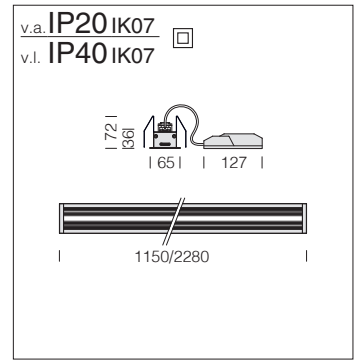
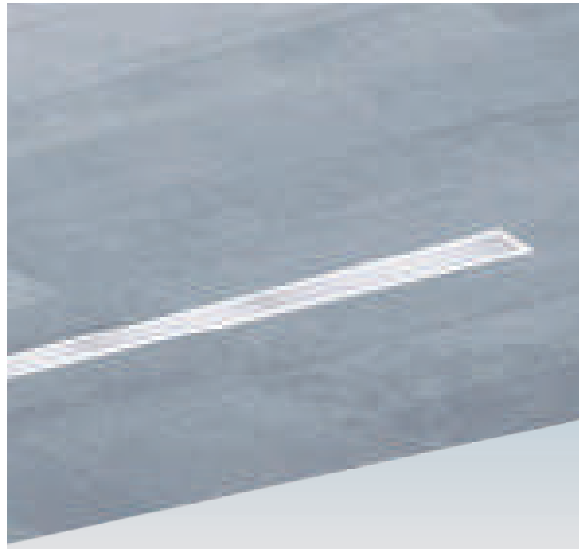
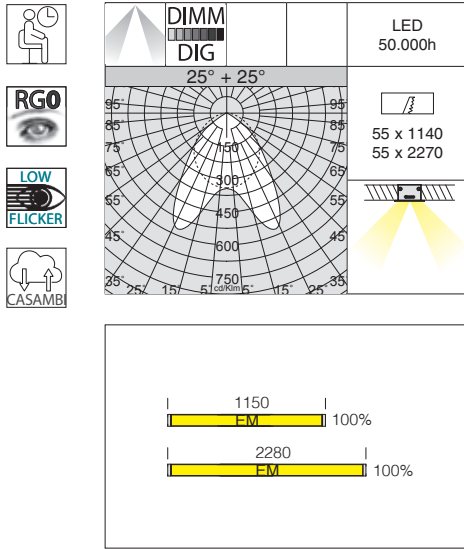


Liset 2.0 HE - suspension - direct light - 25° asymmetric optics						
		CLD		CLD D-DIG (DALI)		LUMEN OUTPUT (tq= 25 °C)
LED	housing	L (mm)	weight	code	code	W tot
LED 4 modules	white	1145	2,40	22303208-00	22303208-1241	29
	black			22303238-00	22303238-1241	
LED 4 modules	white	1145	2,40	22303208-39	22303208-3941	29
	black			22303238-39	22303238-3941	
LED 8 modules	white	2275	4,80	22303209-00	22303209-1241	56
	black			22303239-00	22303239-1241	
LED 8 modules	white	2275	4,80	22303209-39	22303209-3941	56
	black			22303239-39	22303239-3941	

Complete with millimetre adjustment device; suspensions to be purchased separately (see accessories page).

**Upon request: CRI>90 (3000K-4000K)**

- version with pass-through wiring for continuous line mounting with subcode **-0072**
- PUSH-DIMM version with sub-code **-1245** (4000K) or **-3945** (3000K)
- 1h EM version with subcode **-09** (4000K) or **-0928** (3000K) - 3h EM version with subcode **-31** (4000K) or **-3957** (3000K)



**Optics:** in polycarbonate, with very low glare coefficient, resistant to high temperature and UV radiation.

**LED:** luminous flux maintenance 80%: 50.000h (L80B20). Power factor  $\geq 0.92$ .

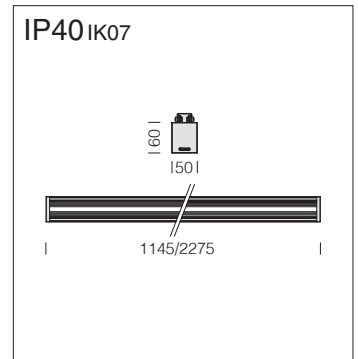
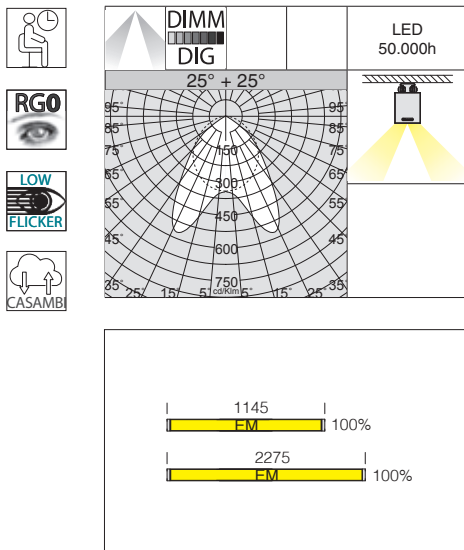
Liset 2.0 HE - recessed - 25° bi-asymmetric optics						
LED	housing	L (mm)	weight	CLD code	CLD D-DIG (DALI) code	W tot
LED 4 modules	white	1150	1,60	22303301-00	22303301-1241	29
				22303301-39	22303301-3941	
LED 8 modules	white	2280	3,20	22303302-00	22303302-1241	56
				22303302-39	22303302-3941	

**LUMEN OUTPUT (tq= 25 °C)**

K	ϕlm	CRI
4000K	3429lm	CRI>80
3000K	3189lm	CRI>80
4000K	6858lm	CRI>80
3000K	6378lm	CRI>80

**Upon request: CRI>90 (3000K-4000K)**

- version with black housing
- version with pass-through wiring for continuous line mounting with subcode **-0072**
- PUSH-DIMM version with sub-code **-1245 (4000K)** or **-3945 (3000K)**
- 1h EM version with subcode **-09 (4000K)** or **-0928 (3000K)** - 3h EM version with subcode **-31 (4000K)** or **-3957 (3000K)**



**Optics:** in polycarbonate, with very low glare coefficient, resistant to high temperature and UV radiation.

**LED:** luminous flux maintenance 80%: 50.000h (L80B20). Power factor  $\geq 0.92$ .

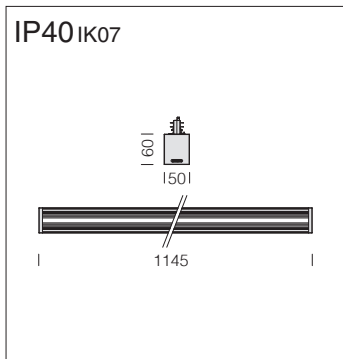
Liset 2.0 HE - ceiling - 25° bi-asymmetric optics						
LED	housing	L (mm)	weight	CLD code	CLD D-DIG (DALI) code	W tot
LED 4 modules	white	1145	2,40	22303303-00	22303303-1241	29
	black			22303333-00	22303333-1241	
LED 4 modules	white	1145	2,40	22303303-39	22303303-3941	29
	black			22303333-39	22303333-3941	
LED 8 modules	white	2275	4,80	22303304-00	22303304-1241	56
	black			22303334-00	22303334-1241	
LED 8 modules	white	2275	4,80	22303304-39	22303304-3941	56
	black			22303334-39	22303334-3941	

**LUMEN OUTPUT (tq= 25 °C)**

K	ϕlm	CRI
4000K	3429lm	CRI>80
3000K	3189lm	CRI>80
4000K	6858lm	CRI>80
3000K	6378lm	CRI>80

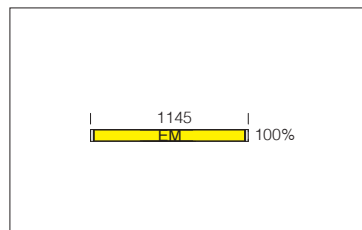
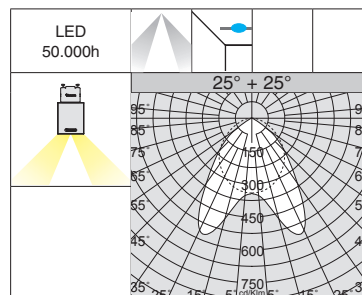
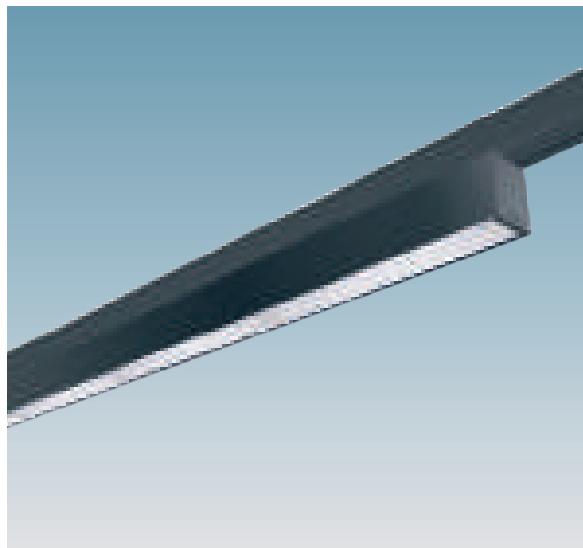
**Upon request: CRI>90 (3000K-4000K)**

- version with pass-through wiring for continuous line mounting with subcode **-0072**
- PUSH-DIMM version with sub-code **-1245 (4000K)** or **-3945 (3000K)**
- 1h EM version with subcode **-09 (4000K)** or **-0928 (3000K)** - 3h EM version with subcode **-31 (4000K)** or **-3957 (3000K)**



**Optics:** in polycarbonate, with very low glare coefficient, resistant to high temperature and UV radiation.

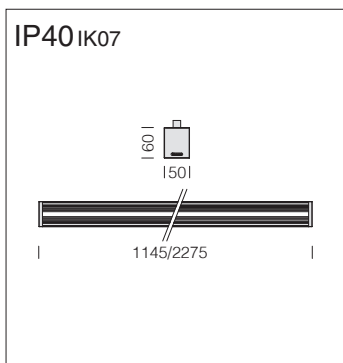
**LED:** luminous flux maintenance 80%: 50.000h (L80B20).  
Power factor ≥0.92.



Liset 2.0 HE - track - 25° bi-asymmetric optics						
		CLD			LUMEN OUTPUT (tq= 25 °C)	
LED	housing	L (mm)	weight	code	W tot	K - ølm - CRI
LED 4 modules	white	1145	2,40	22303305-00	29	4000K - 3429lm - CRI>80
	black			22303335-00		
LED 4 modules	white	1145	2,40	22303305-39	29	3000K - 3189lm - CRI>80
	black			22303335-39		

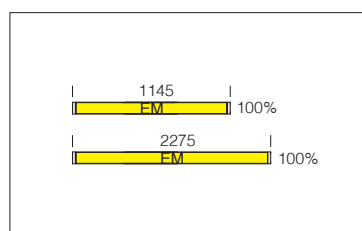
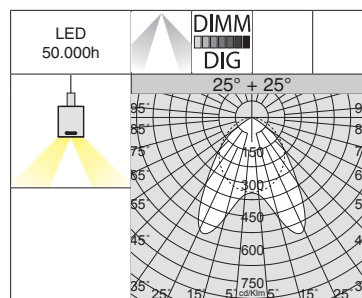
**Upon request: CRI>90 (3000K-4000K)**

- DIMM-DALI version with sub-code **-1241** (4000K) or **-3941** (3000K)
- PUSH-DIMM version with sub-code **-1245** (4000K) or **-3945** (3000K)
- 1h EM version with subcode **-09** (4000K) or **-0928** (3000K) - 3h EM version with subcode **-31** (4000K) or **-3957** (3000K); KIT EM for OMINTRACK PLUS to be purchased separately (see chapter *Tracks*)



**Optics:** in polycarbonate, with very low glare coefficient, resistant to high temperature and UV radiation.

**LED:** luminous flux maintenance 80%: 50.000h (L80B20).  
Power factor ≥0.92.

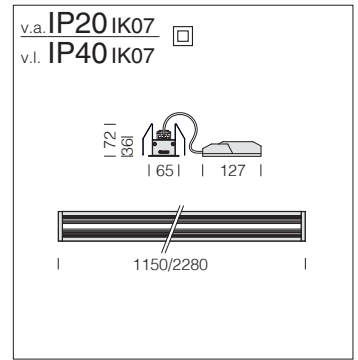
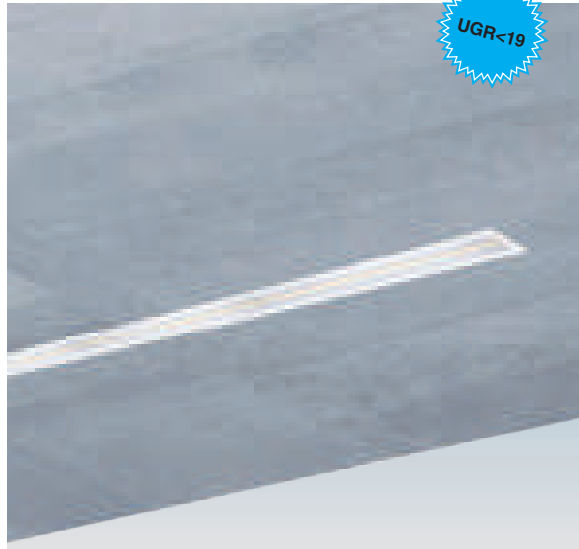
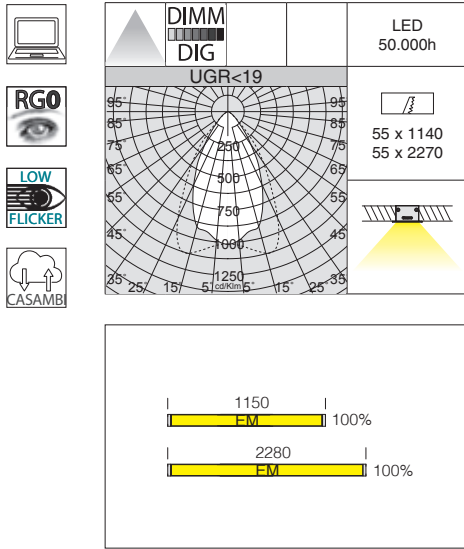


Liset 2.0 HE - suspension - direct light - 25° bi-asymmetric optics						
		CLD		CLD D-DIG (DALI)		LUMEN OUTPUT (tq= 25 °C)
LED	housing	L (mm)	weight	code	code	W tot
LED 4 modules	white	1145	2,40	22303306-00	22303306-1241	29
	black			22303336-00	22303336-1241	
LED 4 modules	white	1145	2,40	22303306-39	22303306-3941	29
	black			22303336-39	22303336-3941	
LED 8 modules	white	2275	4,80	22303307-00	22303307-1241	56
	black			22303337-00	22303337-1241	
LED 8 modules	white	2275	4,80	22303307-39	22303307-3941	56
	black			22303337-39	22303337-3941	

Complete with millimetre adjustment device; suspensions to be purchased separately (see accessories page).

**Upon request: CRI>90 (3000K-4000K)**

- version with pass-through wiring for continuous line mounting with subcode **-0072**
- PUSH-DIMM version with sub-code **-1245** (4000K) or **-3945** (3000K)
- 1h EM version with subcode **-09** (4000K) or **-0928** (3000K) - 3h EM version with subcode **-31** (4000K) or **-3957** (3000K)



**Optics:** in polycarbonate, with very low glare coefficient, resistant to high temperature and UV radiation.

**LED:** luminous flux maintenance 80%: 50.000h (L80B20). Power factor  $\geq 0.92$ .

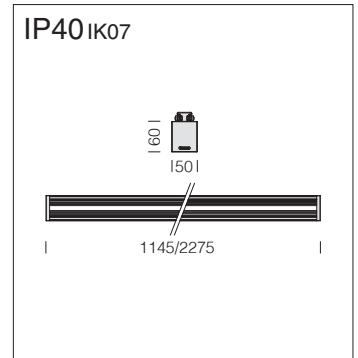
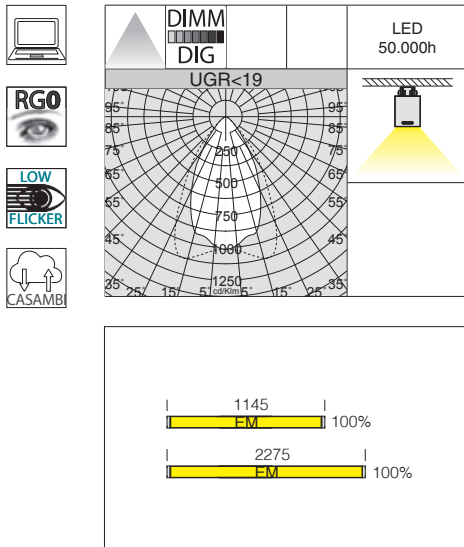
Liset 2.0 HE - recessed - UGR<19						
LED	housing	L (mm)	weight	CLD code	CLD D-DIG (DALI) code	W tot
<b>LED 2 modules</b>	white	1150	1,60	22303401-00	22303401-1241	<b>26</b>
				22303401-39	22303401-3941	
<b>LED 4 modules</b>	white	2280	3,20	22303402-00	22303402-1241	<b>52</b>
				22303402-39	22303402-3941	

**LUMEN OUTPUT (tq= 25 °C)**

K	elm	CRI
4000K	3673lm	CRI>80
3000K	3416lm	CRI>80
4000K	7346lm	CRI>80
3000K	6832lm	CRI>80

**Upon request: CRI>90 (3000K-4000K)**

- version with black housing
- version with pass-through wiring for continuous line mounting with subcode **-0072**
- PUSH-DIMM version with sub-code **-1245 (4000K)** or **-3945 (3000K)**
- 1h EM version with subcode **-09 (4000K)** or **-0928 (3000K)** - 3h EM version with subcode **-31 (4000K)** or **-3957 (3000K)**



**Optics:** in polycarbonate, with very low glare coefficient, resistant to high temperature and UV radiation.

**LED:** luminous flux maintenance 80%: 50.000h (L80B20). Power factor  $\geq 0.92$ .

Liset 2.0 HE - ceiling - UGR<19						
LED	housing	L (mm)	weight	CLD code	CLD D-DIG (DALI) code	W tot
<b>LED 2 modules</b>	white	1145	2,40	22303403-00	22303403-1241	<b>26</b>
	black			22303433-00	22303433-1241	
<b>LED 2 modules</b>	white	1145	2,40	22303403-39	22303403-3941	<b>26</b>
	black			22303433-39	22303433-3941	
<b>LED 4 modules</b>	white	2275	4,80	22303404-00	22303404-1241	<b>52</b>
	black			22303434-00	22303434-1241	
<b>LED 4 modules</b>	white	2275	4,80	22303404-39	22303404-3941	<b>52</b>
	black			22303434-39	22303434-3941	

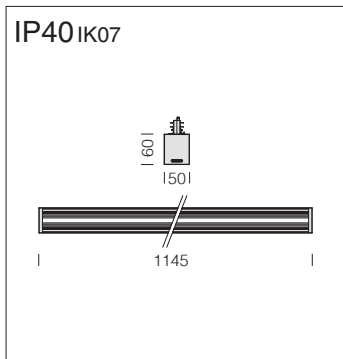
**LUMEN OUTPUT (tq= 25 °C)**

K	elm	CRI
4000K	3673lm	CRI>80
3000K	3416lm	CRI>80
4000K	7346lm	CRI>80
3000K	6832lm	CRI>80

**Upon request: CRI>90 (3000K-4000K)**

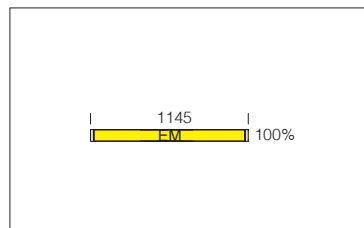
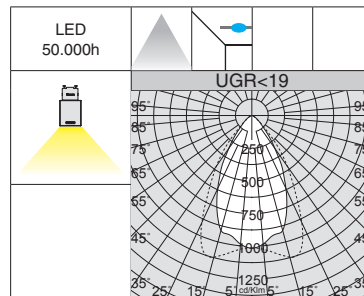
- version with pass-through wiring for continuous line mounting with subcode **-0072**
- PUSH-DIMM version with sub-code **-1245 (4000K)** or **-3945 (3000K)**
- 1h EM version with subcode **-09 (4000K)** or **-0928 (3000K)** - 3h EM version with subcode **-31 (4000K)** or **-3957 (3000K)**





**Optics:** in polycarbonate, with very low glare coefficient, resistant to high temperature and UV radiation.

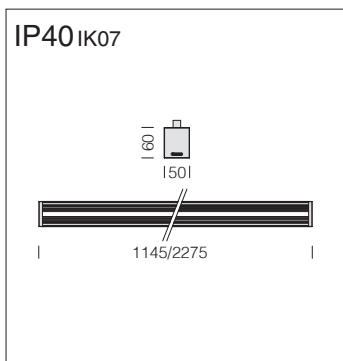
**LED:** luminous flux maintenance 80%: 50.000h (L80B20).  
Power factor ≥0.92.



Liset 2.0 HE - track - UGR<19						
		CLD				LUMEN OUTPUT (tq= 25 °C)
LED	housing	L (mm)	weight	code	W tot	K - ølm - CRI
LED 2 modules	white	1145	2,40	22303405-00	26	4000K - 3673lm - CRI>80
	black			22303435-00		
LED 2 modules	white	1145	2,40	22303405-39	26	3000K - 3416lm - CRI>80
	black			22303435-39		

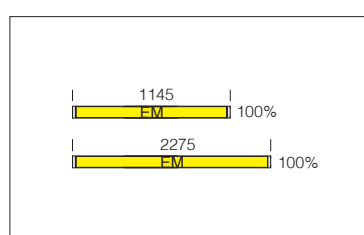
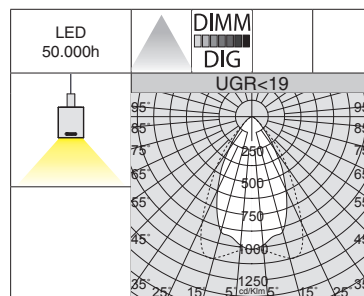
**Upon request: CRI>90 (3000K-4000K)**

- DIMM-DALI version with sub-code **-1241** (4000K) or **-3941** (3000K)
- PUSH-DIMM version with sub-code **-1245** (4000K) or **-3945** (3000K)
- 1h EM version with subcode **-09** (4000K) or **-0928** (3000K) - 3h EM version with subcode **-31** (4000K) or **-3957** (3000K); KIT EM for OMINTRACK PLUS to be purchased separately (see chapter *Tracks*)



**Optics:** in polycarbonate, with very low glare coefficient, resistant to high temperature and UV radiation.

**LED:** luminous flux maintenance 80%: 50.000h (L80B20).  
Power factor ≥0.92.

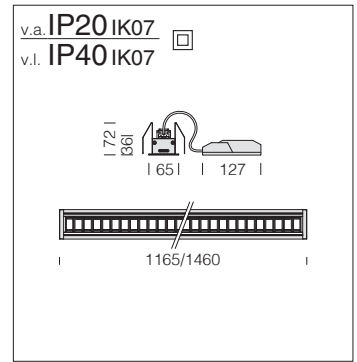
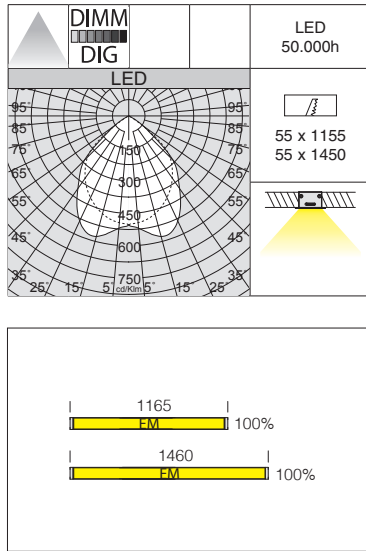


Liset 2.0 HE - suspension - direct light - UGR<19							
		CLD		CLD D-DIG (DALI)		LUMEN OUTPUT (tq= 25 °C)	
LED	housing	L (mm)	weight	code	code	K - ølm - CRI	
LED 2 modules	white	1145	2,40	22303406-00	22303406-1241	26	4000K - 3673lm - CRI>80
	black			22303436-00	22303436-1241		
LED 2 modules	white	1145	2,40	22303406-39	22303406-3941	26	3000K - 3416lm - CRI>80
	black			22303436-39	22303436-3941		
LED 4 modules	white	2275	4,80	22303407-00	22303407-1241	52	4000K - 7346lm - CRI>80
	black			22303437-00	22303437-1241		
LED 4 modules	white	2275	4,80	22303407-39	22303407-3941	52	3000K - 6832lm - CRI>80
	black			22303437-39	22303437-3941		

Complete with millimetre adjustment device; suspensions to be purchased separately (see accessories page).

**Upon request: CRI>90 (3000K-4000K)**

- version with pass-through wiring for continuous line mounting with subcode **-0072**
- PUSH-DIMM version with sub-code **-1245** (4000K) or **-3945** (3000K)
- 1h EM version with subcode **-09** (4000K) or **-0928** (3000K) - 3h EM version with subcode **-31** (4000K) or **-3957** (3000K)



v.a. IP20 IK07  
v.l. IP40 IK07

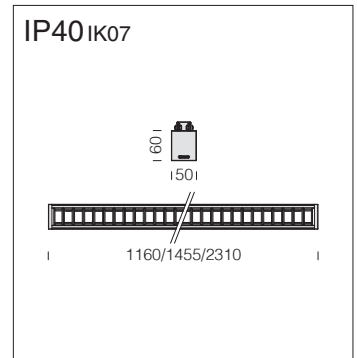
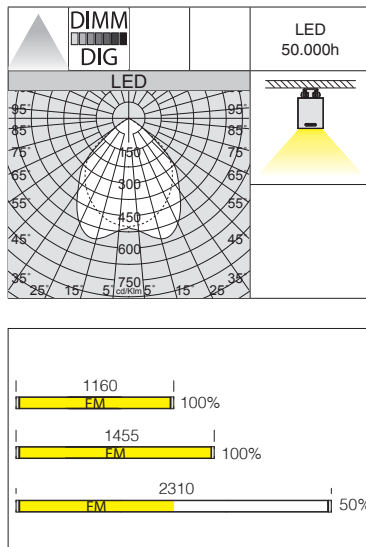
**Dark light louvre:** double parabolic louvres, in high-gloss 99.99 aluminium, anti-glare and anti-iridescence, very low luminance with PVD treatment.

**Liset 2.0 - recessed - Dark light - UGR<19**

		CLD		CLD D-DIG (DALI)		LUMEN OUTPUT (tq= 25 °C)	
LED	housing	L (mm)	weight	code	code	W tot	K - ølm - CRI
<b>LED 4 modules</b>	white	1165	1,60	22302001-00	22302001-1241	<b>28</b>	4000K - 2859lm - CRI>80
<b>LED 5 modules</b>	white	1460	2,00	22302002-00	22302002-1241	<b>35</b>	4000K - 3574lm - CRI>80

Upon request: 3000K version with subcode **-39. CRI>90** (3000K-4000K)

- version with black housing
- version with pass-through wiring for continuous line mounting with subcode **-0072**
- PUSH-DIMM version with sub-code **-1245** (4000K) or **-3945** (3000K)
- 1h EM version with subcode **-09** (4000K) or **-0928** (3000K) - 3h EM version with subcode **-31** (4000K) or **-3957** (3000K)



**IP40 IK07**

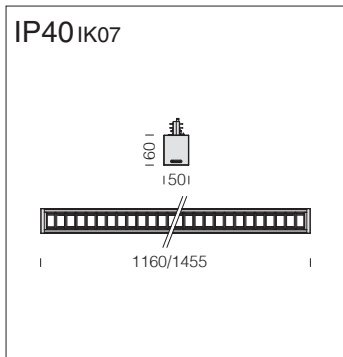
**Dark light louvre:** double parabolic louvres, in high-gloss 99.99 aluminium, anti-glare and anti-iridescence, very low luminance with PVD treatment.

**Liset 2.0 - ceiling - Dark light - UGR<19**

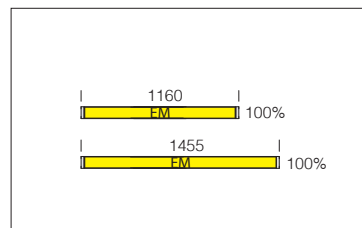
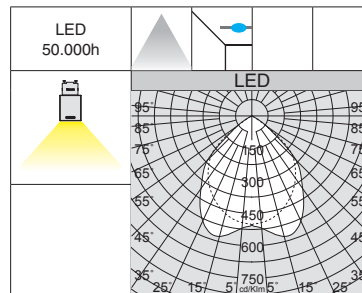
		CLD		CLD D-DIG (DALI)		LUMEN OUTPUT (tq= 25 °C)	
LED	housing	L (mm)	weight	code	code	W tot	K - ølm - CRI
<b>LED 4 modules</b>	white	1160	2,40	22302003-00	22302003-1241	<b>28</b>	4000K - 2859lm - CRI>80
	black			22302033-00	22302033-1241		
<b>LED 5 modules</b>	white	1455	3,00	22302004-00	22302004-1241	<b>35</b>	4000K - 3574lm - CRI>80
	black			22302034-00	22302034-1241		
<b>LED 8 modules</b>	white	2310	4,80	22302005-00	22302005-1241	<b>55</b>	4000K - 5718lm - CRI>80
	black			22302035-00	22302035-1241		

Upon request: 3000K version with subcode **-39. CRI>90** (3000K-4000K)

- version with pass-through wiring for continuous line mounting with subcode **-0072**
- PUSH-DIMM version with sub-code **-1245** (4000K) or **-3945** (3000K)
- 1h EM version with subcode **-09** (4000K) or **-0928** (3000K) - 3h EM version with subcode **-31** (4000K) or **-3957** (3000K)



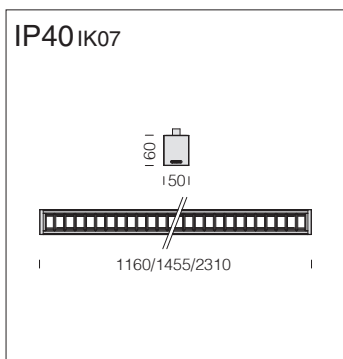
**Dark light louvre:** double parabolic louvres, in high-gloss 99.99 aluminium, anti-glare and anti-iridescence, very low luminance with PVD treatment.



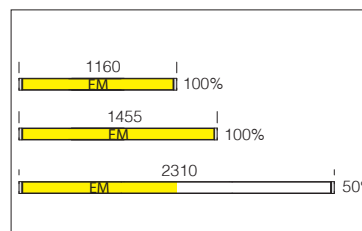
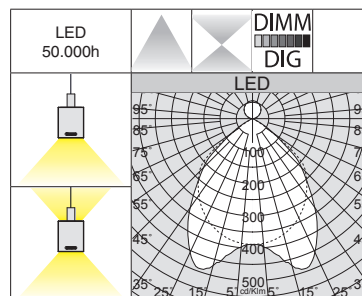
Liset 2.0 - track - Dark light - UGR<19						
LED	housing	L (mm)	weight	code	W tot	LUMEN OUTPUT (tq= 25 °C)
LED 4 modules	white	1160	2,40	22302006-00	28	4000K - 2859lm - CRI>80
	black			22302036-00		
LED 5 modules	white	1455	3,00	22302007-00	35	4000K - 3574lm - CRI>80
	black			22302037-00		

**Upon request:** 3000K version with subcode **-39**. **CRI>90** (3000K-4000K)

- DIMM-DALI version with sub-code **-1241**
- PUSH-DIMM version with sub-code **-1245**
- 1h EM version with subcode **-09** (4000K) or **-0928** (3000K) - 3h EM version with subcode **-31** (4000K) or **-3957** (3000K); KIT EM for OMINTRACK PLUS to be purchased separately (see chapter *Tracks*)



**Dark light louvre:** double parabolic louvres, in high-gloss 99.99 aluminium, anti-glare and anti-iridescence, very low luminance with PVD treatment.

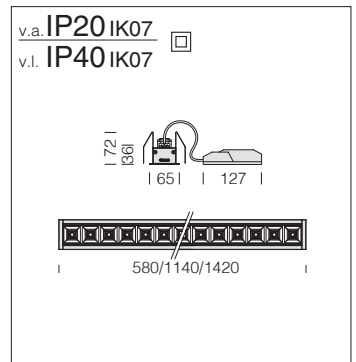
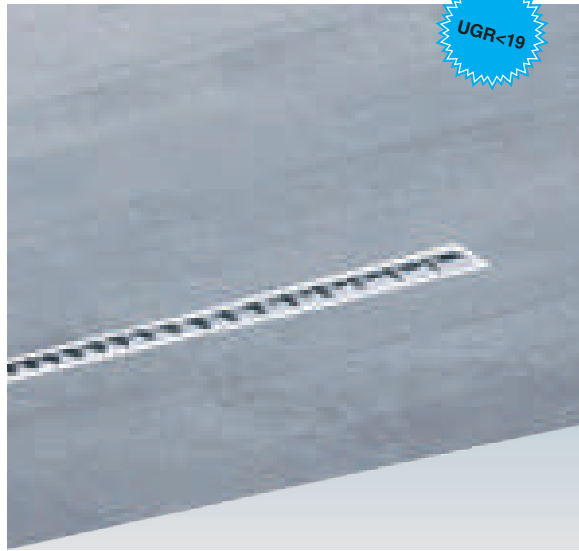
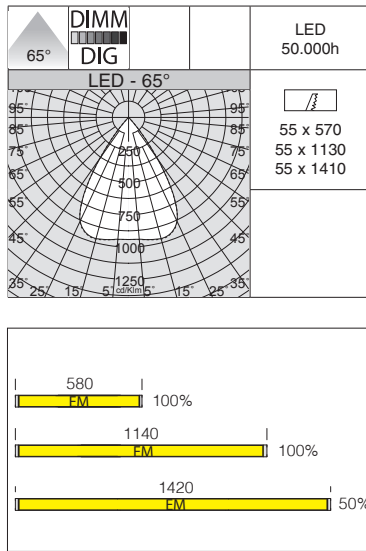


Liset 2.0 - suspension - direct light - Dark light - UGR<19						
LED	housing	L (mm)	weight	code	code	LUMEN OUTPUT (tq= 25 °C)
LED 4 modules	white	1160	2,40	22302008-00	22302008-1241	4000K - 2859lm - CRI>80
	black			22302038-00	22302038-1241	
LED 5 modules	white	1455	3,00	22302009-00	22302009-1241	4000K - 3574lm - CRI>80
	black			22302039-00	22302039-1241	
LED 8 modules	white	2310	4,80	22302010-00	22302010-1241	4000K - 5718lm - CRI>80
	black			22302030-00	22302030-1241	

Liset 2.0 - suspension - direct/indirect light - Dark light - UGR<19						
LED	housing	L (mm)	weight	code	code	LUMEN OUTPUT (tq= 25 °C)
LED 5 modules	white	1455	3,00	22302011-00	22302011-1241	4000K - 4252lm - CRI>80
	black			22302031-00	22302031-1241	
LED 8 modules	white	2310	4,80	22302012-00	22302012-1241	4000K - 7480lm - CRI>80
	black			22302032-00	22302032-1241	

Complete with millimetre adjustment device; suspensions to be purchased separately (see accessories page).

- Upon request:** 3000K version with subcode **-39**. **CRI>90** (3000K-4000K)
- version with pass-through wiring for continuous line mounting with subcode **-0072**
  - PUSH-DIMM version with sub-code **-1245** (4000K) or **-3945** (3000K)
  - 1h EM version with subcode **-09** (4000K) or **-0928** (3000K) - 3h EM version with subcode **-31** (4000K) or **-3957** (3000K)



**DARK comfort optics:** in metalized anti-glare polycarbonate for improved visual comfort.

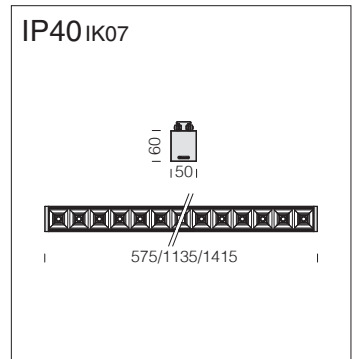
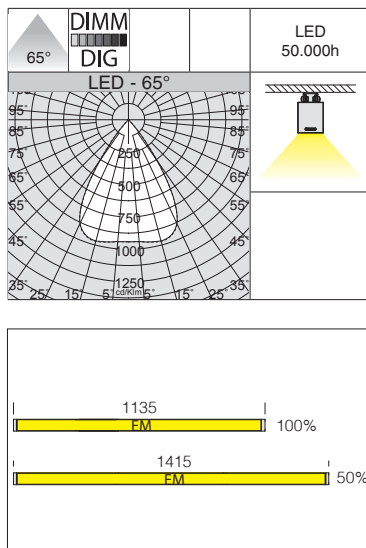
**LED:** luminous flux maintenance 80%: 50.000h (L80B20). Power factor ≥0.92.

**Liset 2.0 - recessed - DARK comfort optics - UGR<19**

LED	housing	CLD			CLD D-DIG (DALI)	W tot	LUMEN OUTPUT (tq= 25 °C)
		L (mm)	weight	code	code		K - ølm - CRI - degrees
<b>LED 14 lenti</b>	white	580	1,10	22303901-00	22303901-1241	<b>18</b>	4000K - 2578lm - CRI>80 - 65°
<b>LED 28 lenti</b>	white	1140	2,20	22303902-00	22303902-1241	<b>22</b>	4000K - 3446lm - CRI>80 - 65°
<b>LED 35 lenti</b>	white	1420	2,80	22303903-00	22303903-1241	<b>30</b>	4000K - 4804lm - CRI>80 - 65°

**Upon request:** 3000K version with subcode **-39. CRI>90** (3000K-4000K)

- version with black housing
- version with pass-through wiring for continuous line mounting with subcode **-0072**
- PUSH-DIMM version with sub-code **-1245** (4000K) or **-3945** (3000K)
- 1h EM version with subcode **-09** (4000K) or **-0928** (3000K) - 3h EM version with subcode **-31** (4000K) or **-3957** (3000K)
- 76° beam version



**DARK comfort optics:** in metalized anti-glare polycarbonate for improved visual comfort.

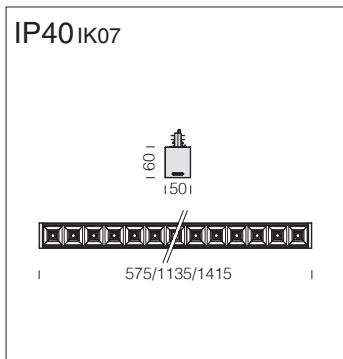
**LED:** luminous flux maintenance 80%: 50.000h (L80B20). Power factor ≥0.92.

**Liset 2.0 - ceiling - DARK comfort optics - UGR<19**

LED	housing	CLD			CLD D-DIG (DALI)	W tot	LUMEN OUTPUT (tq= 25 °C)
		L (mm)	weight	code	code		K - ølm - CRI - degrees
<b>LED 14 lenses</b>	white	575	1,60	22303904-00	22303904-1241	<b>18</b>	4000K - 2578lm - CRI>80 - 65°
	black			22303934-00	22303934-1241		
<b>LED 28 lenses</b>	white	1135	3,20	22303905-00	22303905-1241	<b>22</b>	4000K - 3446lm - CRI>80 - 65°
	black			22303935-00	22303935-1241		
<b>LED 35 lenses</b>	white	1415	4,00	22303906-00	22303906-1241	<b>30</b>	4000K - 4804lm - CRI>80 - 65°
	black			22303936-00	22303936-1241		

**Upon request:** 3000K version with subcode **-39. CRI>90** (3000K-4000K)

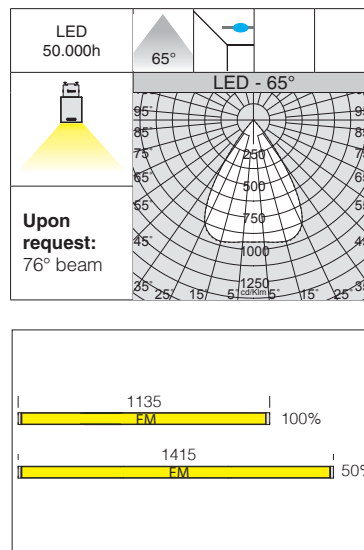
- version with pass-through wiring for continuous line mounting with subcode **-0072**
- PUSH-DIMM version with sub-code **-1245** (4000K) or **-3945** (3000K)
- 1h EM version with subcode **-09** (4000K) or **-0928** (3000K) - 3h EM version with subcode **-31** (4000K) or **-3957** (3000K)
- 76° beam version



**DARK comfort optics:** in metalized anti-glare polycarbonate for improved visual comfort.

**LED:** luminous flux maintenance 80%: 50.000h (L80B20).

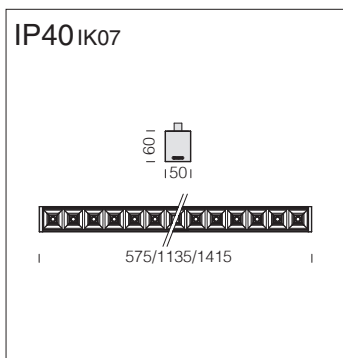
Power factor  $\geq 0.92$ .



Liset 2.0 - track - DARK comfort optics - UGR<19						
		CLD			LUMEN OUTPUT (tq= 25 °C)	
LED	housing	L (mm)	weight	code	W tot	K - ølm - CRI - degrees
LED 14 lenses	white	575	1,60	22303907-00	18	4000K - 2578lm - CRI>80 - 65°
	black			22303937-00		
LED 28 lenses	white	1135	3,20	22303908-00	22	4000K - 3446lm - CRI>80 - 65°
	black			22303938-00		
LED 35 lenses	white	1415	4,00	22303909-00	30	4000K - 4804lm - CRI>80 - 65°
	black			22303939-00		

**Upon request:** 3000K version with subcode **-39. CRI-90** (3000K-4000K)

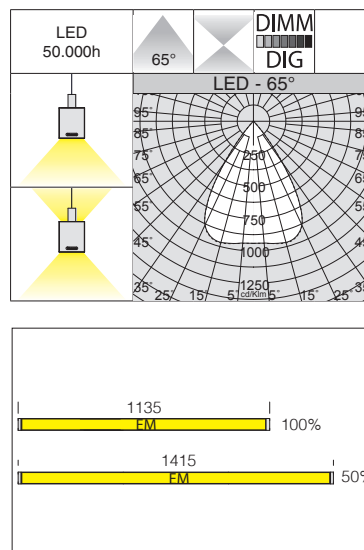
- DIMM-DALI version with sub-code **-1241** (4000K) or **-3941** (3000K)
- PUSH-DIMM version with sub-code **-1245** (4000K) or **-3945** (3000K)
- 1h EM version with subcode **-09** (4000K) or **-0928** (3000K) - 3h EM version with subcode **-31** (4000K) or **-3957** (3000K); KIT EM for OMINTRACK PLUS to be purchased separately (see chapter Tracks)



**DARK comfort optics:** in metalized anti-glare polycarbonate for improved visual comfort.

**LED:** luminous flux maintenance 80%: 50.000h (L80B20).

Power factor  $\geq 0.92$ .



Liset 2.0 - suspension - direct light - DARK comfort optics - UGR<19						
		CLD		CLD D-DIG (DALI)		LUMEN OUTPUT (tq= 25 °C)
LED	housing	L (mm)	weight	code	code	W tot
LED 14 lenses	white	575	1,60	22303910-00	22303910-1241	18
	black			22303930-00	22303930-1241	
LED 28 lenses	white	1135	3,20	22303911-00	22303911-1241	22
	black			22303931-00	22303931-1241	
LED 35 lenses	white	1415	4,00	22303912-00	22303912-1241	30
	black			22303932-00	22303932-1241	

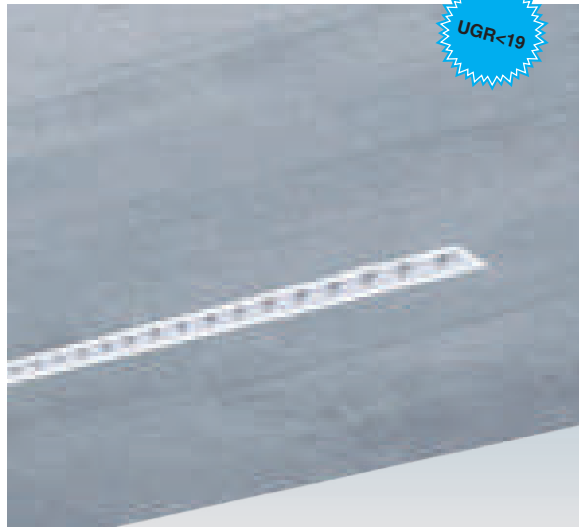
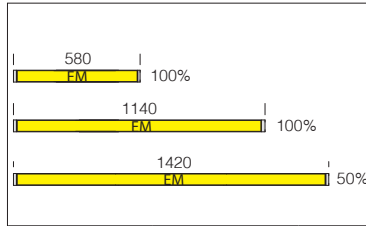
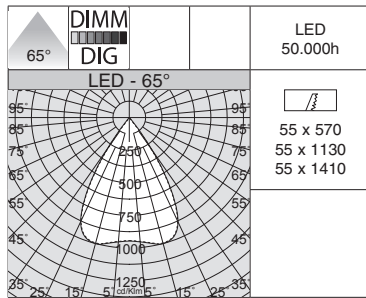
  

Liset 2.0 - suspension - direct/indirect light - DARK comfort optics - UGR<19						
		CLD		CLD D-DIG (DALI)		LUMEN OUTPUT (tq= 25 °C)
LED	housing	L (mm)	weight	code	code	W tot
LED 35 lenti	white	1415	4,20	22303913-00	22303913-1241	37
	black			22303933-00	22303933-1241	

Complete with millimetre adjustment device; suspensions to be purchased separately (see accessories page).

**Upon request:** 3000K version with subcode **-39. CRI-90** (3000K-4000K)

- version with pass-through wiring for continuous line mounting with subcode **-0072**
- PUSH-DIMM version with sub-code **-1245** (4000K) or **-3945** (3000K)
- 1h EM version with subcode **-09** (4000K) or **-0928** (3000K) - 3h EM version with subcode **-31** (4000K) or **-3957** (3000K)
- 76° beam version



UGR<19

v.a. IP20 IK07  
v.l. IP40 IK07

**Comfort optics:** in white anti-glare polycarbonate for improved visual comfort (the black colour version is available upon request).

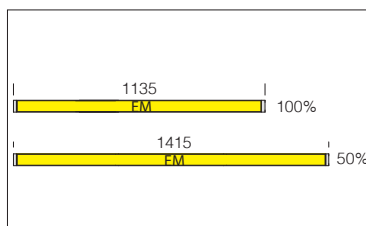
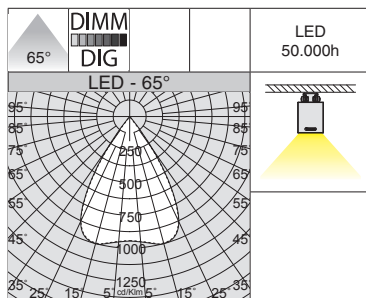
**LED:** luminous flux maintenance 80%: 50.000h (L80B20). Power factor ≥0.92.

**Liset 2.0 - recessed - comfort optics - UGR<19**

LED	housing	L (mm)	weight	CLD	CLD D-DIG (DALI)	W tot	LUMEN OUTPUT (tq= 25 °C)
				code	code		K - ølm - CRI - degrees
LED 14 lenses	white	580	1,10	22302101-00	22302101-1241	18	4000K - 2591lm - CRI>80 - 65°
LED 28 lenses	white	1140	2,20	22302102-00	22302102-1241	22	4000K - 3463lm - CRI>80 - 65°
LED 35 lenses	white	1420	2,80	22302103-00	22302103-1241	30	4000K - 4828lm - CRI>80 - 65°

Upon request: 3000K version with subcode **-39. CRI>90** (3000K-4000K)

- version with black housing
- version with pass-through wiring for continuous line mounting with subcode **-0072**
- PUSH-DIMM version with sub-code **-1245** (4000K) or **-3945** (3000K)
- 1h EM version with subcode **-09** (4000K) or **-0928** (3000K) - 3h EM version with subcode **-31** (4000K) or **-3957** (3000K)
- 76° beam version



UGR<19

IP40 IK07

**Comfort optics:** in black anti-glare polycarbonate for improved visual comfort (the white colour version is available upon request).

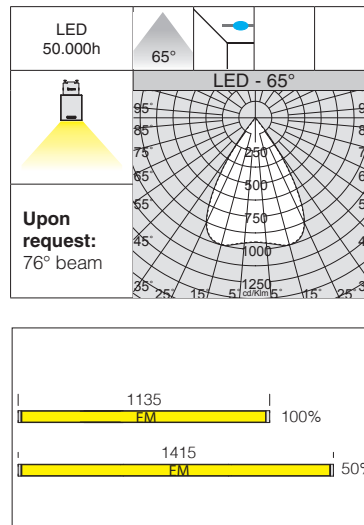
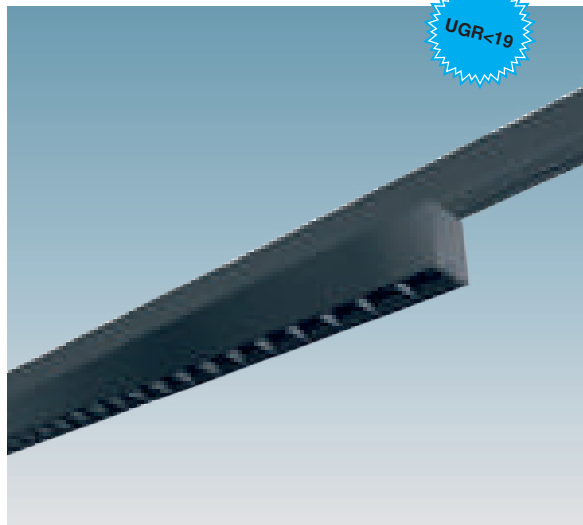
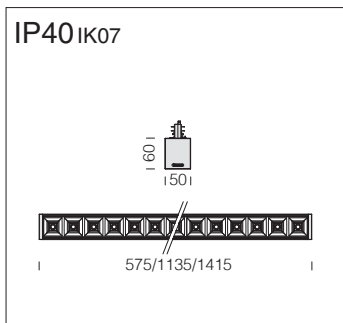
**LED:** luminous flux maintenance 80%: 50.000h (L80B20). Power factor ≥0.92.

**Liset 2.0 - ceiling - comfort optics - UGR<19**

LED	housing	L (mm)	weight	CLD	CLD D-DIG (DALI)	W tot	LUMEN OUTPUT (tq= 25 °C)
				code	code		K - ølm - CRI - degrees
LED 14 lenses	white	575	1,60	22302104-00	22302104-1241	18	4000K - 2486lm - CRI>80 - 65°
	black			22302134-00	22302134-1241		
LED 14 lenses	white	575	1,60	22302104-39	22302104-3941	18	3000K - 2405lm - CRI>80 - 65°
	black			22302134-39	22302134-3941		
LED 28 lenses	white	1135	3,20	22302105-00	22302105-1241	22	4000K - 3250lm - CRI>80 - 65°
	black			22302135-00	22302135-1241		
LED 28 lenses	white	1135	3,20	22302105-39	22302105-3941	22	3000K - 3144lm - CRI>80 - 65°
	black			22302135-39	22302135-3941		
LED 35 lenses	white	1415	4,00	22302106-00	22302106-1241	30	4000K - 4561lm - CRI>80 - 65°
	black			22302136-00	22302136-1241		
LED 35 lenses	white	1415	4,00	22302106-39	22302106-3941	30	3000K - 4413lm - CRI>80 - 65°
	black			22302136-39	22302136-3941		

Upon request: **CRI>90** (3000K-4000K)

- version with pass-through wiring for continuous line mounting with subcode **-0072**
- PUSH-DIMM version with sub-code **-1245** (4000K) or **-3945** (3000K)
- 1h EM version with subcode **-09** (4000K) or **-0928** (3000K) - 3h EM version with subcode **-31** (4000K) or **-3957** (3000K)
- 76° beam version



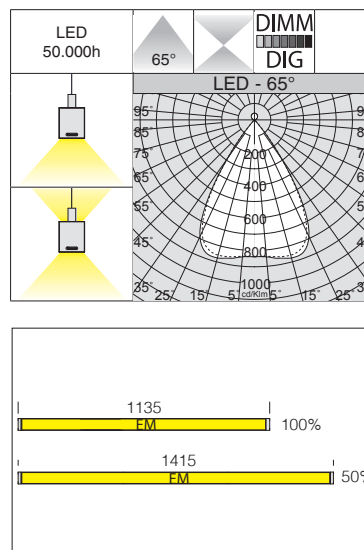
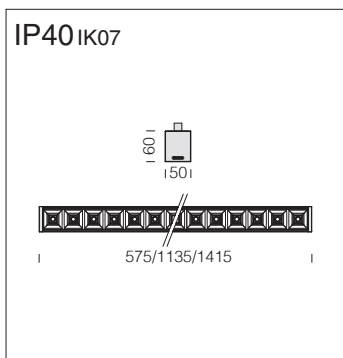
**Comfort optics:** in black anti-glare polycarbonate for improved visual comfort (the white colour version is available upon request).

**LED:** luminous flux maintenance 80%: 50.000h (L80B20). Power factor  $\geq 0.92$ .

Liset 2.0 - track - comfort optics - UGR<19						
LED	housing	L (mm)	weight	CLD		LUMEN OUTPUT (tq= 25 °C)
				code	W tot	K - ølm - CRI - degrees
LED 14 lenses	white	575	1,60	22302107-00	18	4000K - 2486lm - CRI>80 - 65°
	black			22302137-00		
LED 14 lenses	white	575	1,60	22302107-39	18	3000K - 2405lm - CRI>80 - 65°
	black			22302137-39		
LED 28 lenses	white	1135	3,20	22302108-00	22	4000K - 3250lm - CRI>80 - 65°
	black			22302138-00		
LED 28 lenses	white	1135	3,20	22302108-39	22	3000K - 3144lm - CRI>80 - 65°
	black			22302138-39		
LED 35 lenses	white	1415	4,00	22302109-00	30	4000K - 4561lm - CRI>80 - 65°
	black			22302139-00		
LED 35 lenses	white	1415	4,00	22302109-39	30	3000K - 4413lm - CRI>80 - 65°
	black			22302139-39		

**Upon request: CRI>90 (3000K-4000K)**

- DIMM-DALI version with sub-code **-1241** (4000K) or **-3941** (3000K)
- PUSH-DIMM version with sub-code **-1245** (4000K) or **-3945** (3000K)
- 1h EM version with subcode **-09** (4000K) or **-0928** (3000K) - 3h EM version with subcode **-31** (4000K) or **-3957** (3000K); KIT EM for OMINTRACK PLUS to be purchased separately (see chapter *Tracks*)



**Comfort optics:** in black anti-glare polycarbonate for improved visual comfort (the white colour version is available upon request).

**LED:** luminous flux maintenance 80%: 50.000h (L80B20). Power factor  $\geq 0.92$ .

Liset 2.0 - suspension - direct light - comfort optics - UGR<19							
LED	housing	L (mm)	weight	CLD		LUMEN OUTPUT (tq= 25 °C)	
				code	code	W tot	K - ølm - CRI - degrees
LED 14 lenses	white	575	1,60	22302110-00	22302110-1241	18	4000K - 2486lm - CRI>80 - 65°
	black			22302130-00	22302130-1241		
LED 28 lenses	white	1135	3,20	22302111-00	22302111-1241	22	4000K - 3250lm - CRI>80 - 65°
	black			22302131-00	22302131-1241		
LED 35 lenses	white	1415	4,00	22302112-00	22302112-1241	30	4000K - 4561lm - CRI>80 - 65°
	black			22302132-00	22302132-1241		

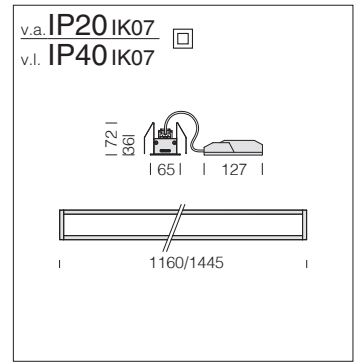
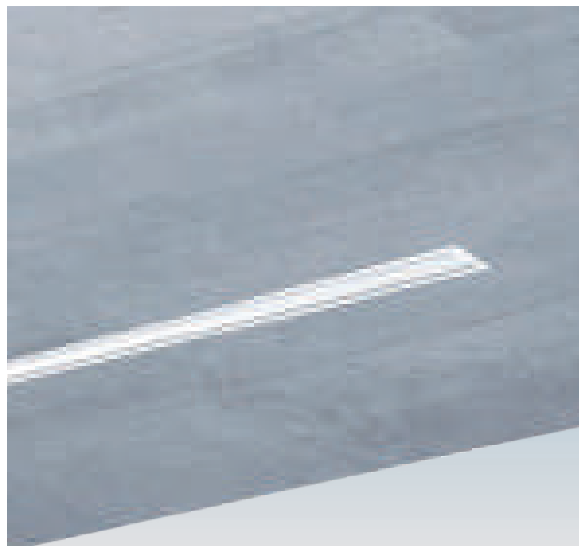
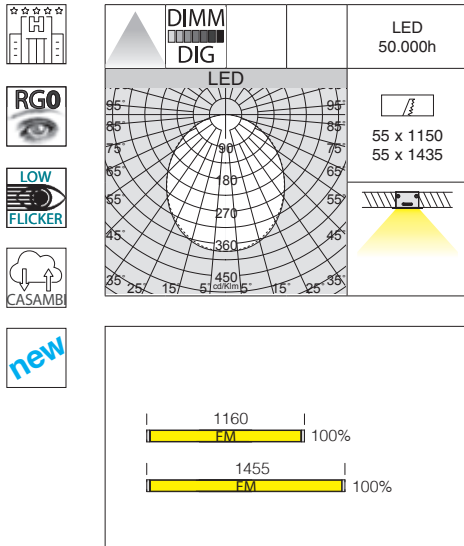
  

Liset 2.0 - suspension - direct/indirect light - comfort optics - UGR<19							
LED	housing	L (mm)	weight	CLD		LUMEN OUTPUT (tq= 25 °C)	
				code	code	W tot	K - ølm - CRI
LED 35 lenses	white	1415	4,20	22302113-00	22302113-1241	37	4000K - 5177lm - CRI>80
	black			22302133-00	22302133-1241		

Complete with millimetre adjustment device; suspensions to be purchased separately (see accessories page).

**Upon request:** 3000K version with subcode **-39**. CRI>90 (3000K-4000K)

- version with pass-through wiring for continuous line mounting with subcode **-0072**
- PUSH-DIMM version with sub-code **-1245** (4000K) or **-3945** (3000K)
- 1h EM version with subcode **-09** (4000K) or **-0928** (3000K) - 3h EM version with subcode **-31** (4000K) or **-3957** (3000K)
- 76° beam version



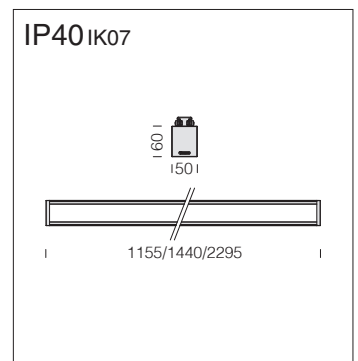
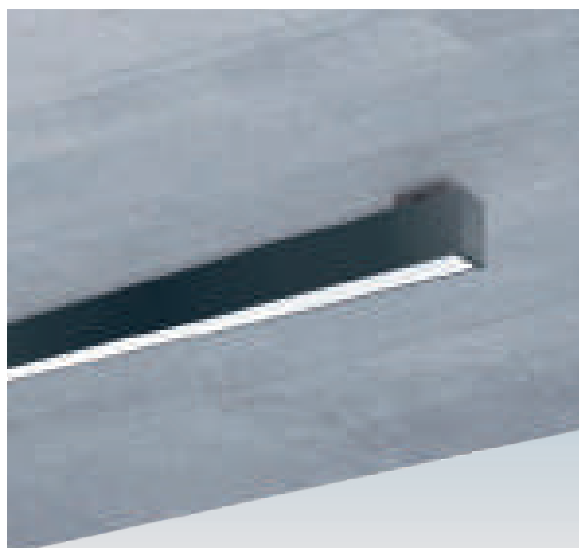
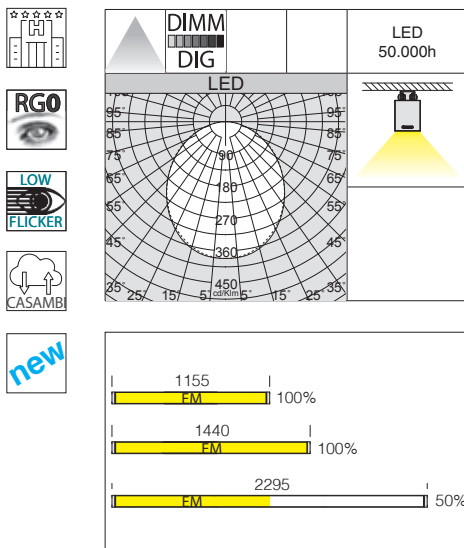
**Diffuser:** in polycarbonate.  
**LED:** luminous flux maintenance 80%: 50.000h (L80B20).  
 Power factor  $\geq 0.92$ .

**Liset 2.0 - recessed - with polycarbonate diffuser**

LED	housing	L (mm)	weight	CLD		W tot	LUMEN OUTPUT (tq= 25 °C)	
				code	code		K - $\phi$ lm - CRI	
<b>LED 4 modules</b>	white	1160	1,50	22302201-00	22302201-1241	<b>28</b>	4000K - 2783lm - CRI>80	
				22302201-39	22302201-3941		3000K - 2588lm - CRI>80	
<b>LED 5 modules</b>	white	1445	1,90	22302202-00	22302202-1241	<b>35</b>	4000K - 3479lm - CRI>80	
				22302202-39	22302202-3941		3000K - 3236lm - CRI>80	

Upon request: **CRI>90** (3000K - 4000K)

- version with black housing
- version with pass-through wiring for continuous line mounting with subcode **-0072**
- PUSH-DIMM version with sub-code **-1245** (4000K) or **-3945** (3000K)
- 1h EM version with subcode **-09** (4000K) or **-0928** (3000K) - 3h EM version with subcode **-31** (4000K) or **-3957** (3000K)



**Diffuser:** in polycarbonate.  
**LED:** luminous flux maintenance 80%: 50.000h (L80B20).  
 Power factor  $\geq 0.92$ .

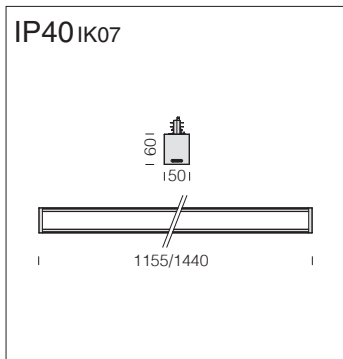
**Liset 2.0 - ceiling - with polycarbonate diffuser**

LED	housing	L (mm)	weight	CLD		W tot	LUMEN OUTPUT (tq= 25 °C)	
				code	code		K - $\phi$ lm - CRI	
<b>LED 4 modules</b>	white	1155	2,30	22302203-00	22302203-1241	<b>28</b>	4000K - 2783lm - CRI>80	
	black			22302233-00	22302233-1241		3000K - 2588lm - CRI>80	
<b>LED 4 modules</b>	white	1155	2,30	22302203-39	22302203-3941	<b>28</b>	4000K - 3479lm - CRI>80	
	black			22302233-39	22302233-3941		3000K - 3236lm - CRI>80	
<b>LED 5 modules</b>	white	1440	2,90	22302204-00	22302204-1241	<b>35</b>	4000K - 5566lm - CRI>80	
	black			22302234-00	22302234-1241		3000K - 5177lm - CRI>80	
<b>LED 5 modules</b>	white	1440	2,90	22302204-39	22302204-3941	<b>35</b>	4000K - 5566lm - CRI>80	
	black			22302234-39	22302234-3941		3000K - 5177lm - CRI>80	
<b>LED 8 modules</b>	white	2295	4,50	22302205-00	22302205-1241	<b>55</b>	4000K - 5566lm - CRI>80	
	black			22302235-00	22302235-1241		3000K - 5177lm - CRI>80	
<b>LED 8 modules</b>	white	2295	4,50	22302205-39	22302205-3941	<b>55</b>	4000K - 5566lm - CRI>80	
	black			22302235-39	22302235-3941		3000K - 5177lm - CRI>80	

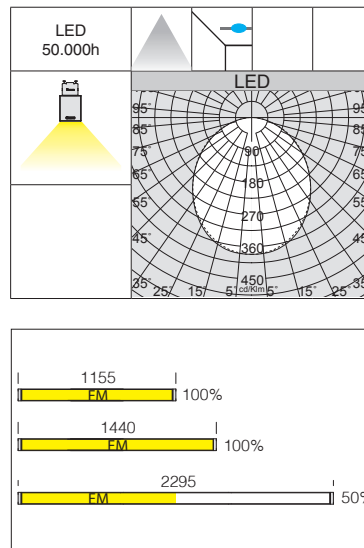
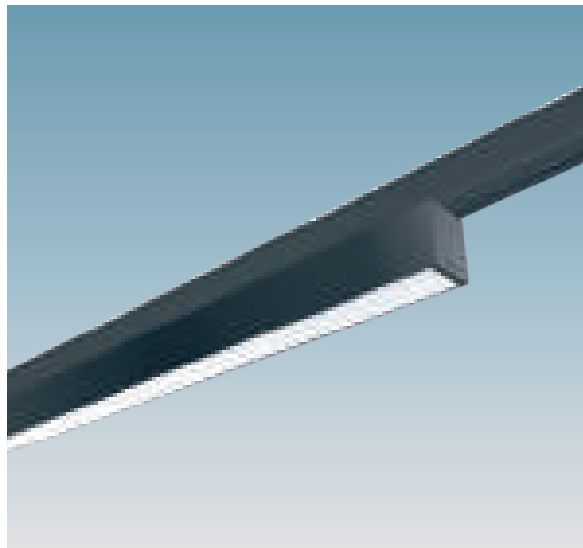
Upon request: **CRI>90** (3000K - 4000K)

- version with pass-through wiring for continuous line mounting with subcode **-0072**
- PUSH-DIMM version with sub-code **-1245** (4000K) or **-3945** (3000K)
- 1h EM version with subcode **-09** (4000K) or **-0928** (3000K) - 3h EM version with subcode **-31** (4000K) or **-3957** (3000K)





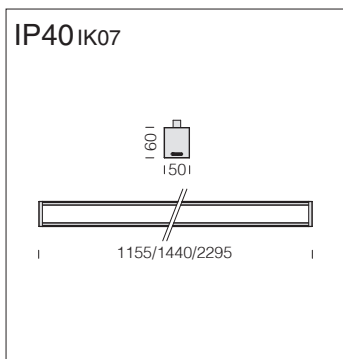
**Diffuser:** in polycarbonate.  
**LED:** luminous flux maintenance 80%: 50.000h (L80B20).  
 Power factor  $\geq 0.92$ .



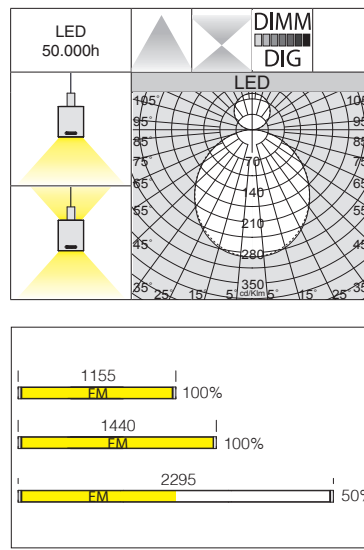
Liset 2.0 - track - with polycarbonate diffuser						
		CLD			LUMEN OUTPUT (tq= 25 °C)	
LED	housing	L (mm)	weight	code	W tot	K - ølm - CRI
LED 4 modules	white	1155	2,30	22302206-00	28	4000K - 2783lm - CRI>80
	black			22302236-00		
LED 4 modules	white	1155	2,30	22302206-39	28	3000K - 2588lm - CRI>80
	black			22302236-39		
LED 5 modules	white	1440	2,90	22302207-00	35	4000K - 3479lm - CRI>80
	black			22302237-00		
LED 5 modules	white	1440	2,90	22302207-39	35	3000K - 3236lm - CRI>80
	black			22302237-39		

**Upon request: CRI>90 (3000K - 4000K)**

- DIMM-DALI version with sub-code **-1241** (4000K) or **-3941** (3000K)
- PUSH-DIMM version with sub-code **-1245** (4000K) or **-3945** (3000K)
- 1h EM version with subcode **-09** (4000K) or **-0928** (3000K) - 3h EM version with subcode **-31** (4000K) or **-3957** (3000K); KIT EM for OMINTRACK PLUS to be purchased separately (see chapter Tracks)



**Diffuser:** in polycarbonate.  
**LED:** luminous flux maintenance 80%: 50.000h (L80B20).  
 Power factor  $\geq 0.92$ .



Liset 2.0 - suspension - direct light - with polycarbonate diffuser						
		CLD		CLD D-DIG (DALI)		LUMEN OUTPUT (tq= 25 °C)
LED	housing	L (mm)	weight	code	code	W tot
LED 4 modules	white	1155	2,30	22302208-00	22302208-1241	28
	black			22302238-00	22302238-1241	
LED 5 modules	white	1440	2,90	22302209-00	22302209-1241	35
	black			22302239-00	22302239-1241	
LED 8 modules	white	2295	4,50	22302210-00	22302210-1241	55
	black			22302230-00	22302230-1241	

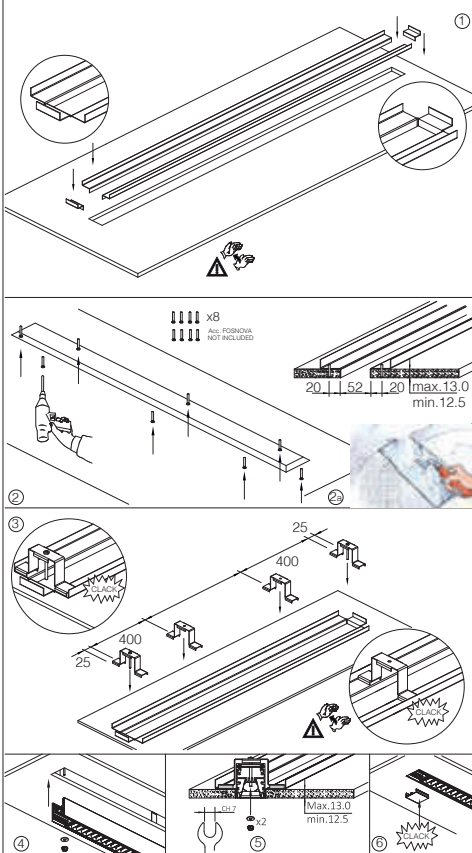
  

Liset 2.0 - suspension - direct/indirect light - with polycarbonate diffuser						
		CLD		CLD D-DIG (DALI)		LUMEN OUTPUT (tq= 25 °C)
LED	housing	L (mm)	weight	code	code	W tot
LED 5 modules	white	1440	3,10	22302211-00	22302211-1241	42
	black			22302231-00	22302231-1241	
LED 8 modules	white	2295	4,70	22302212-00	22302212-1241	72
	black			22302232-00	22302232-1241	

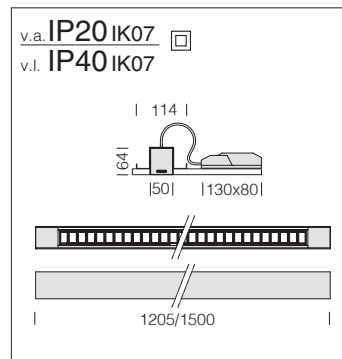
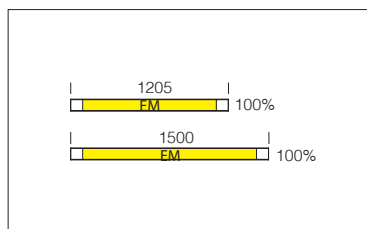
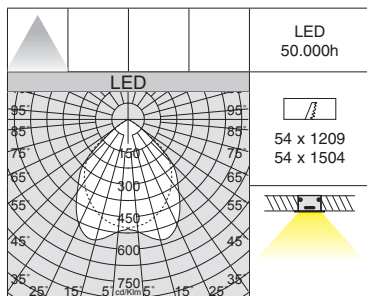
Complete with millimetre adjustment device; suspensions to be purchased separately (see accessories page).  
**Upon request:** 3000K version with subcode **-39**. **CRI>90** (3000K-4000K)

- version with pass-through wiring for continuous line mounting with subcode **-0072**
- PUSH-DIMM version with sub-code **-1245** (4000K) or **-3945** (3000K)
- 1h EM version with subcode **-09** (4000K) or **-0928** (3000K) - 3h EM version with subcode **-31** (4000K) or **-3957** (3000K)

**Equipment:** equipped with galvanised steel support brackets which guarantee perfect attachment to suspended ceiling from 12,5 mm to 13 mm thick.



- 
- 
- RG0**
- LOW FLICKER**
- 
- new**



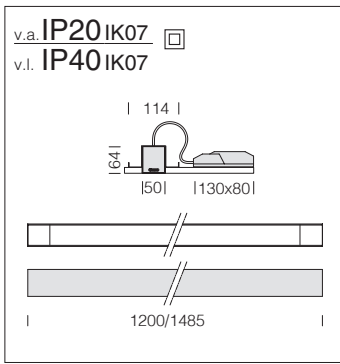
**Dark light louvre:** double parabolic louvres, in high-gloss 99.99 aluminium, anti-glare and anti-iridescence, very low luminance with PVD treatment.

**LED:** luminous flux maintenance 80%: 50.000h (L80B20). Power factor ≥0.92.

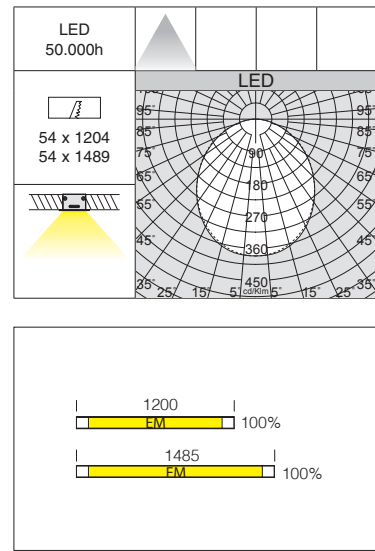
Liset 2.0 Trimless - Dark light - UGR<19						
		CLD			LUMEN OUTPUT (tq= 25 °C)	
LED	housing	L (mm)	weight	code	W tot	K - ølm - CRI
<b>LED 4 modules</b>	white	1205	2.60	22308015-00	<b>28</b>	4000K - 2859lm - CRI>80
	black			22308035-00		
<b>LED 5 modules</b>	white	1500	3.00	22308016-00	<b>35</b>	4000K - 3574lm - CRI>80
	black			22308036-00		

Upon request: 3000K version with subcode **-39**. **CRI>90** (3000K-4000K)

- PUSH-DIMM version with sub-code **-1245** (4000K) or **-3945** (3000K)
- 1h EM version with subcode **-09** (4000K) or **-0928** (3000K) - 3h EM version with subcode **-31** (4000K) or **-3957** (3000K)



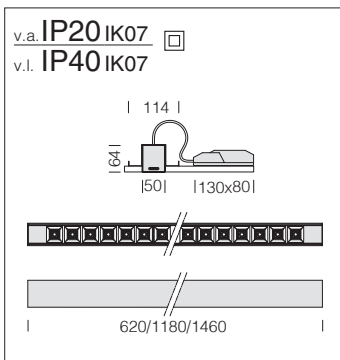
**Diffuser:** in polycarbonate.  
**LED:** luminous flux maintenance 80%: 50.000h (L80B20).  
Power factor  $\geq 0.92$ .



Liset 2.0 Trimless - with polycarbonate diffuser						
		CLD			LUMEN OUTPUT (tq= 25 °C)	
LED	housing	L (mm)	weight	code	W tot	K - ølm - CRI
LED 4 modules	white	1200	2.50	22308010-00	28	4000K - 2783lm - CRI>80
	black			22308030-00		
LED 4 modules	white	1200	2.50	22308010-39	28	3000K - 2588lm - CRI>80
	black			22308030-39		
LED 5 modules	white	1485	2.90	22308011-00	35	4000K - 3479lm - CRI>80
	black			22308031-00		
LED 5 modules	white	1485	2.90	22308011-39	35	3000K - 3236lm - CRI>80
	black			22308031-39		

Upon request: CRI>90 (3000K-4000K)

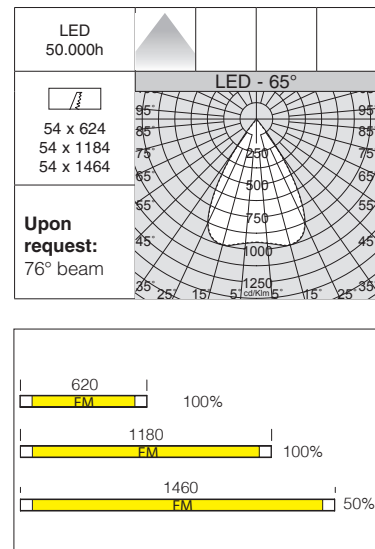
- PUSH-DIMM version with sub-code -1245 (4000K) or -3945 (3000K)
- 1h EM version with subcode -09 (4000K) or -0928 (3000K) - 3h EM version with subcode -31 (4000K) or -3957 (3000K)



**Comfort optics:** in white anti-glare polycarbonate for improved visual comfort (the black colour version is available upon request).

**DARK comfort optics:** in metalized anti-glare polycarbonate for improved visual comfort.

**LED:** luminous flux maintenance 80%: 50.000h (L80B20).  
Power factor  $\geq 0.92$ .



Liset 2.0 Trimless - comfort optics - UGR<19 - (1)						
		CLD			LUMEN OUTPUT (tq= 25 °C)	
LED	housing	L (mm)	weight	code	W tot	K - ølm - CRI - degrees
LED 14 lenses	white	620	2.10	22308012-00	18	4000K - 2591lm - CRI>80 - 65°
LED 28 lenses	white	1180	3.20	22308013-00	22	4000K - 3463lm - CRI>80 - 65°
LED 35 lenses	white	1460	3.80	22308014-00	30	4000K - 4828lm - CRI>80 - 65°

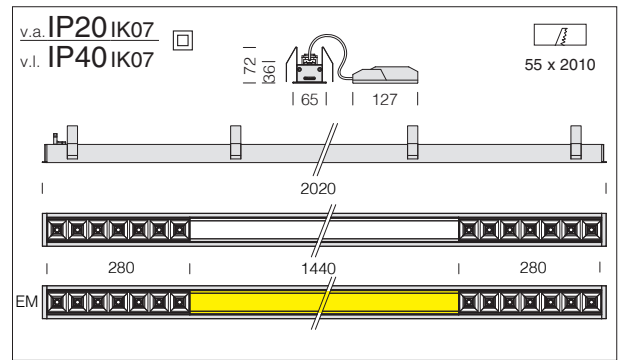
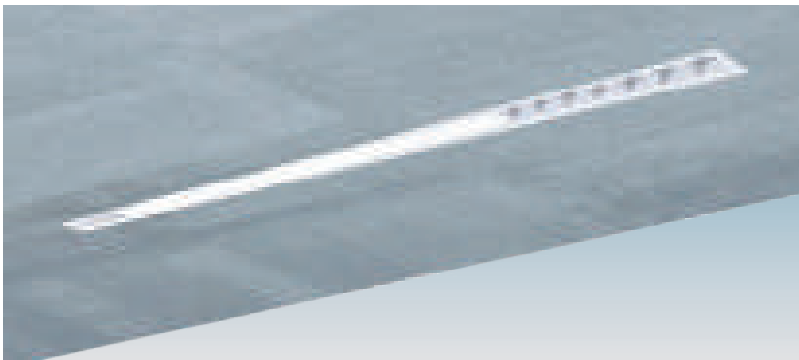
Liset 2.0 Trimless - DARK comfort optics - UGR<19 - (2)						
		CLD			LUMEN USCENTI (tq= 25 °C)	
LED	housing	L (mm)	weight	code	W tot	K - ølm - CRI - degrees
LED 14 lenses	white	620	2.10	22308017-00	18	4000K - 2578lm - CRI>80 - 65°
LED 28 lenses	white	1180	3.20	22308018-00	22	4000K - 3446lm - CRI>80 - 65°
LED 35 lenses	white	1460	3.80	22308019-00	30	4000K - 4804lm - CRI>80 - 65°

Upon request: 3000K version with subcode -39. CRI>90 (3000K-4000K)

- version with black housing
- PUSH-DIMM version with sub-code -1245 (4000K) or -3945 (3000K)
- 1h EM version with subcode -09 (4000K) or -0928 (3000K) - 3h EM version with subcode -31 (4000K) or -3957 (3000K)
- 76° beam version



**Upon request:** special versions with other spotlights of the Matrix Q series  
**CRI>90** - 3000K or 4000K



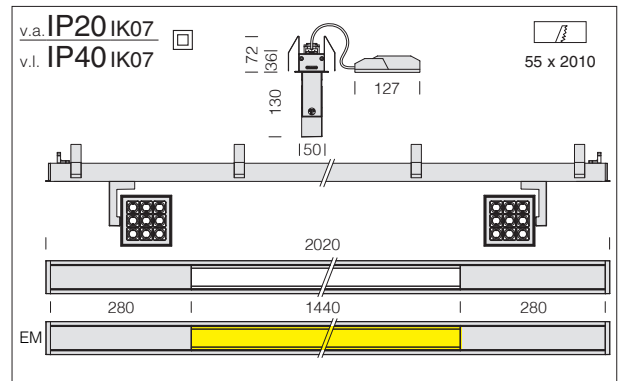
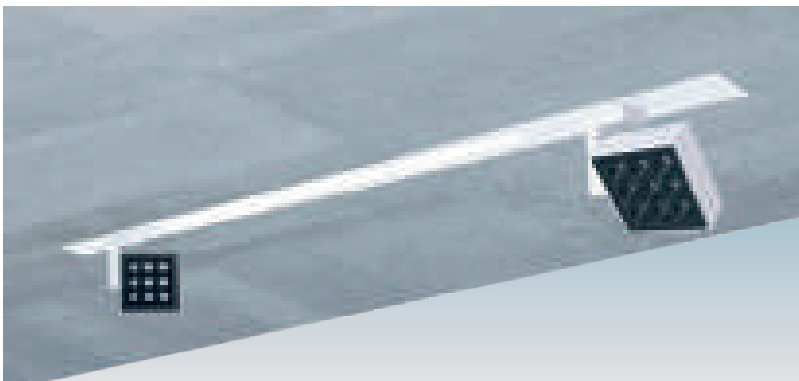
**Liset 2.0 - A+2M - recessed**

		CLD		CLD D-DIG (DALI)		LUMEN OUTPUT (tq= 25 °C)	
LED	housing	L (mm)	weight	code	code	W tot	K - ølm - CRI - degrees
LED	white	2020	3,00	22302301-00	22302301-1241	53	4000K - 3479lm - CRI>80 4000K - 2x1295lm - CRI>80 - 65°

**Standard composition:** Liset 2.0 with diffuser + 2 modules with 65° white comfort optics (upon request with 76° beam angle). Standard version includes double switching.

**Upon request:** 3000K version with subcode **-39. CRI>90** (3000K-4000K)

- version with pass-through wiring for continuous line mounting with subcode **-0072**
- PUSH-DIMM version with sub-code **-1245** (4000K) or **-3945** (3000K)
- 1h EM version with subcode **-09** (4000K) or **-0928** (3000K) - 3h EM version with subcode **-31** (4000K) or **-3957** (3000K)



**Liset 2.0 - A+2S - recessed**

		CLD		CLD D-DIG (DALI)		LUMEN OUTPUT (tq= 25 °C)	
LED	housing	L (mm)	weight	code	code	W tot	K - ølm - CRI - degrees
LED	white	2020	3,80	22302302-00	22302302-1241	101	4000K - 3479lm - CRI>80 4000K - 2x2220lm - CRI>80 - 32°

**Standard composition:** Liset 2.0 with diffuser + 2 modules with 32° spotlight (upon request with 50° beam angles). Standard version includes double switching.

**Upon request:** 3000K version with subcode **-39. CRI>90** (3000K-4000K)

- version with pass-through wiring for continuous line mounting with subcode **-0072**
- PUSH-DIMM version with sub-code **-1245** (4000K) or **-3945** (3000K)
- 1h EM version with subcode **-09** (4000K) or **-0928** (3000K) - 3h EM version with subcode **-31** (4000K) or **-3957** (3000K)



18°



22°



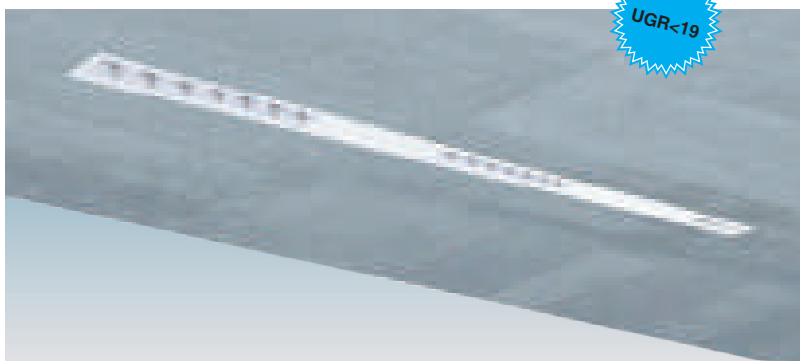
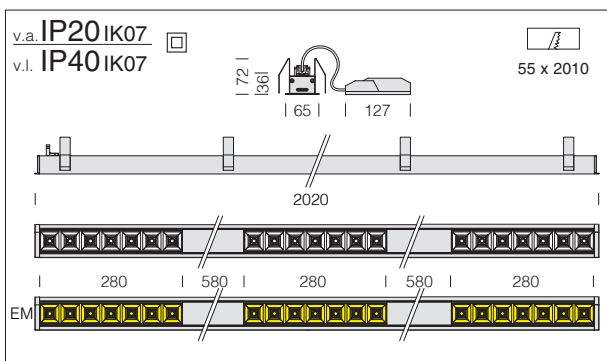
16°



24°-32°



Upon request: special versions with other spotlights of the Matrix Q series  
CRI>90 - 3000K or 4000K



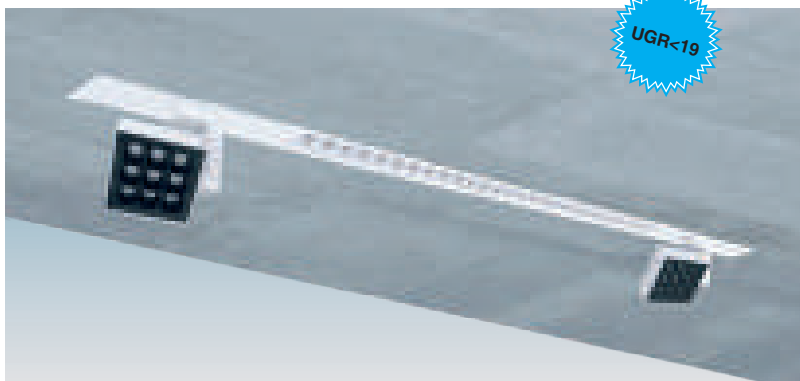
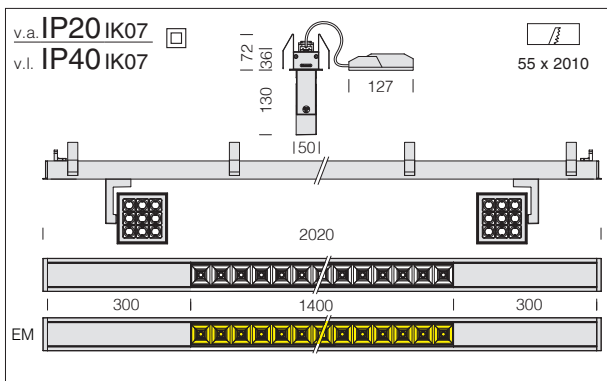
**Liset 2.0 - A+H+3M - recessed - UGR<19**

		CLD		CLD D-DIG (DALI)		LUMEN OUTPUT (tq= 25 °C)	
LED	housing	L (mm)	weight	code		W tot	K - ølm - CRI - degrees
LED	white	2020	3,00	22302303-00		27	4000K - 3x1295lm - CRI>80 - 65°

Standard composition: 3 modules with 65° white comfort optics (upon request with 76° beam angle).

Upon request: 3000K version with subcode **-39**. CRI>90 (3000K-4000K)

- version with pass-through wiring for continuous line mounting with subcode **-0072**
- PUSH-DIMM version with sub-code **-1245** (4000K) or **-3945** (3000K)
- 1h EM version with subcode **-09** (4000K) or **-0928** (3000K) - 3h EM version with subcode **-31** (4000K) or **-3957** (3000K)
- with RADAR SENSOR: sub-code **-19**



**Liset 2.0 - A+M+2S - recessed - UGR<19**

		CLD		CLD D-DIG (DALI)		LUMEN OUTPUT (tq= 25 °C)	
LED	housing	L (mm)	weight	code		W tot	K - ølm - CRI - degrees
LED	white	2020	4,80	22302304-00		96	4000K - 4828lm - CRI>80 - 65° 4000K - 2x2220lm - CRI>80 - 32°

Standard composition: Liset 2.0 with 65° white comfort optics + 2 modules with 32° spotlight (upon request with 76° comfort optics + 50° spotlights).  
Standard version includes double switching.

Upon request: 3000K version with subcode **-39**. CRI>90 (3000K-4000K)

- version with pass-through wiring for continuous line mounting with subcode **-0072**
- PUSH-DIMM version with sub-code **-1245** (4000K) or **-3945** (3000K)
- 1h EM version with subcode **-09** (4000K) or **-0928** (3000K) - 3h EM version with subcode **-31** (4000K) or **-3957** (3000K)



**Upon request:** special versions with other spotlights of the Matrix Q series  
**CRI>90** - 3000K or 4000K



18°



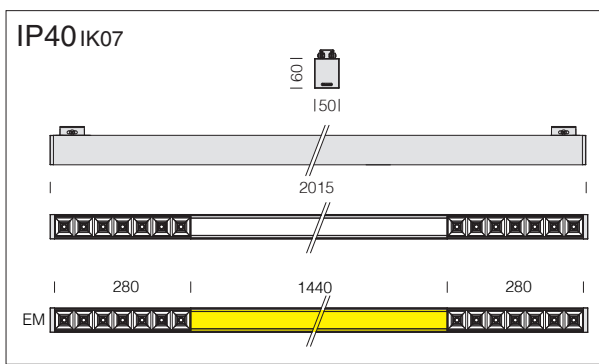
22°



16°



24°-32°

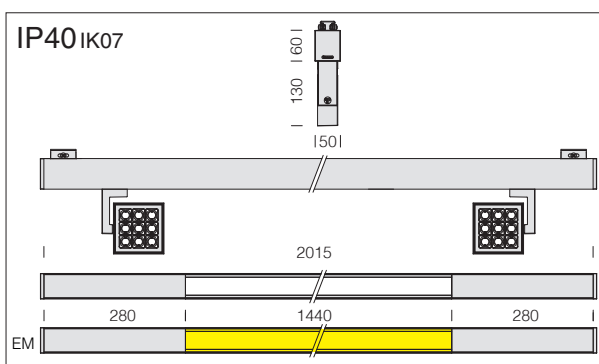
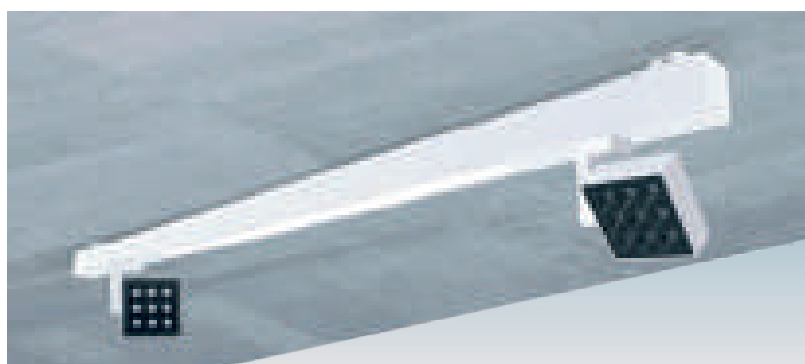


Liset 2.0 - B+2M - ceiling							
LED	housing	CLD		CLD D-DIG (DALI)		W tot	LUMEN OUTPUT (tq= 25 °C)
		L (mm)	weight	code	code		K - ølm - CRI - degrees
LED	white	2015	4,50	22302410-00	22302410-1241	53	4000K - 3479lm - CRI>80 4000K - 2x1243lm - CRI>80 - 65°
LED	black	2015	4,50	22302430-00	22302430-1241	53	4000K - 3479lm - CRI>80 4000K - 2x1243lm - CRI>80 - 65°

**Standard composition:** Liset 2.0 with diffuser + 2 modules with 65° black comfort optics (upon request with 76° beam angle). Standard version includes double switching.

**Upon request:** 3000K version with subcode **-39**. **CRI>90** (3000K-4000K)

- PUSH-DIMM version with sub-code **-1245** (4000K) or **-3945** (3000K)
- 1h EM version with subcode **-09** (4000K) or **-0928** (3000K) - 3h EM version with subcode **-31** (4000K) or **-3957** (3000K)



Liset 2.0 - B+2S - ceiling							
LED	housing	CLD		CLD D-DIG (DALI)		W tot	LUMEN OUTPUT (tq= 25 °C)
		L (mm)	weight	code	code		K - ølm - CRI - degrees
LED	white	2015	5,50	22302411-00	22302411-1241	101	4000K - 3479lm - CRI>80 4000K - 2x2220lm - CRI>80 - 32°
LED	black	2015	5,50	22302431-00	22302431-1241	101	4000K - 3479lm - CRI>80 4000K - 2x2220lm - CRI>80 - 32°

**Standard composition:** Liset 2.0 with diffuser + 2 modules with 32° spotlight (upon request with 50° beam angles). Standard version includes double switching.

**Upon request:** 3000K version with subcode **-39**. **CRI>90** (3000K-4000K)

- PUSH-DIMM version with sub-code **-1245** (4000K) or **-3945** (3000K)
- 1h EM version with subcode **-09** (4000K) or **-0928** (3000K) - 3h EM version with subcode **-31** (4000K) or **-3957** (3000K)



18°



22°



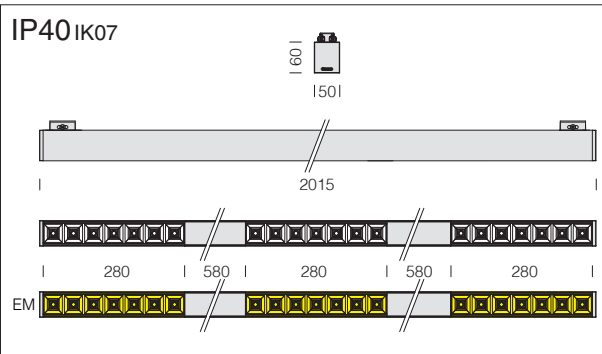
16°



24°-32°



**Upon request:** special versions with other spotlights of the Matrix Q series  
**CRI>90** - 3000K or 4000K



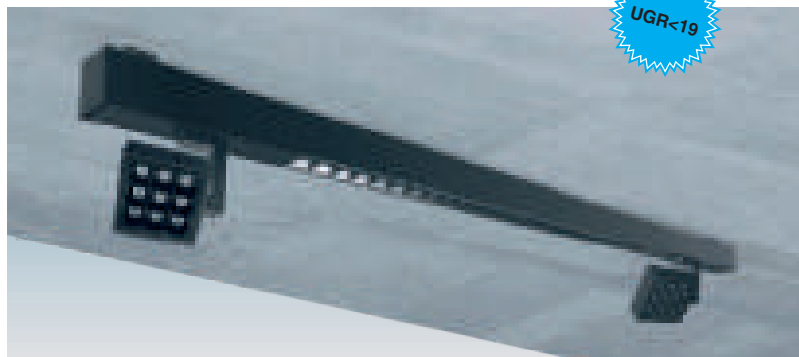
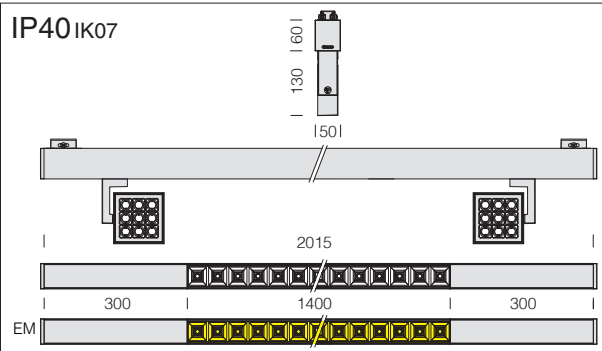
**Liset 2.0 - B+H+3M - ceiling - UGR<19**

		CLD		CLD D-DIG (DALI)		LUMEN OUTPUT (tq= 25 °C)	
LED	housing	L (mm)	weight	code	code	W tot	K - ølm - CRI - degrees
LED	white	2015	4,60	22302412-00	22302412-1241	27	4000K - 3x1243lm - CRI>80 - 65°
	black			22302432-00	22302432-1241		

**Standard composition:** 3 modules with 65° black comfort optics (upon request with 76° beam angle).

**Upon request:** 3000K version with subcode **-39**. **CRI>90** (3000K-4000K)

- PUSH-DIMM version with sub-code **-1245** (4000K) or **-3945** (3000K)
- 1h EM version with subcode **-09** (4000K) or **-0928** (3000K) - 3h EM version with subcode **-31** (4000K) or **-3957** (3000K)
- with RADAR SENSOR: sub-code **-19**



**Liset 2.0 - B+M+2S - ceiling - UGR<19**

		CLD		CLD D-DIG (DALI)		LUMEN OUTPUT (tq= 25 °C)	
LED	housing	L (mm)	weight	code	code	W tot	K - ølm - CRI - degrees
LED	white	2015	6,50	22302413-00	22302413-1241	96	4000K - 4561lm - CRI>80 - 65° 4000K - 2x2220lm - CRI>80 - 32°
	black			22302433-00	22302433-1241		96

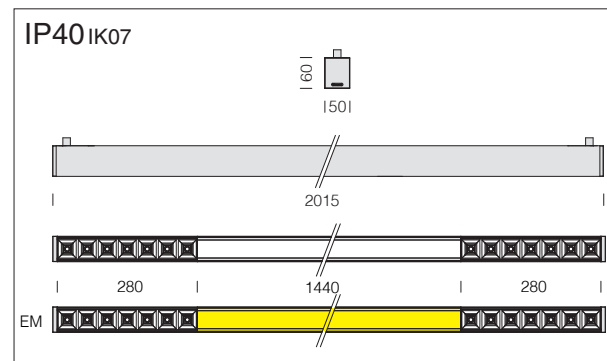
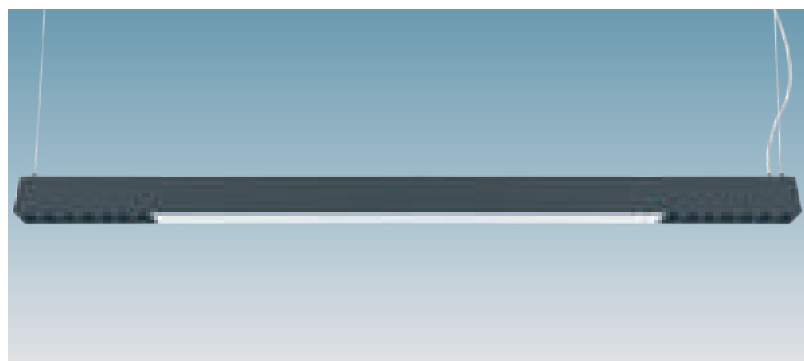
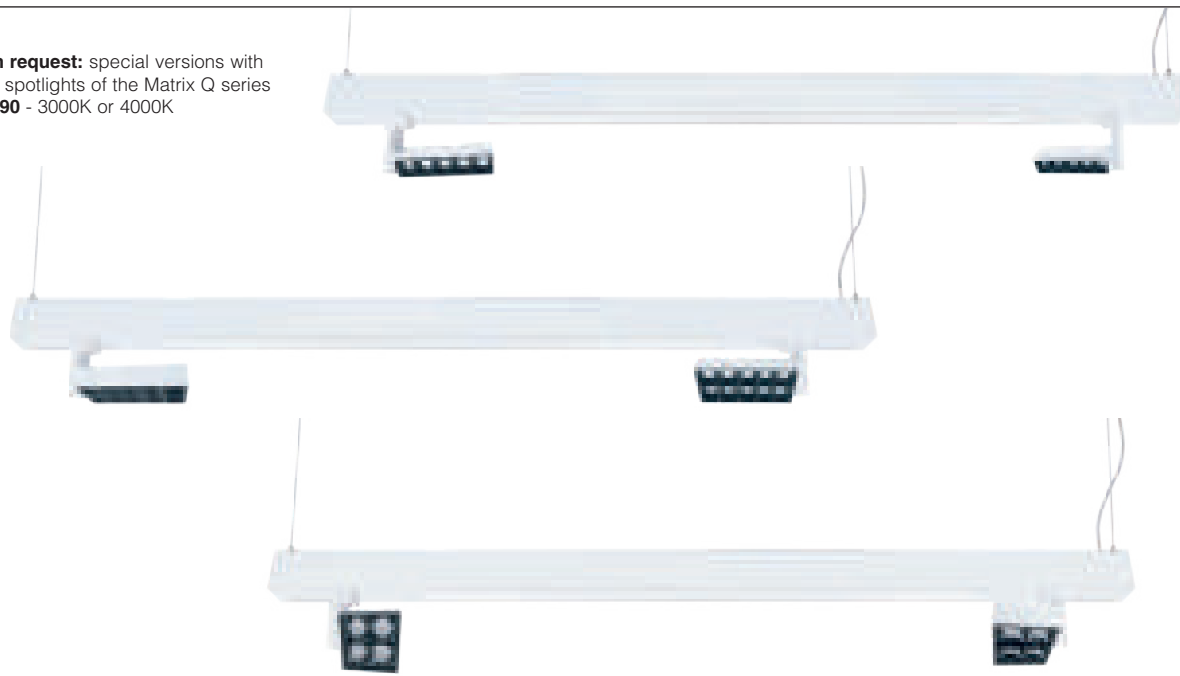
**Standard composition:** Liset 2.0 with 65° black comfort optics + 2 modules with 32° spotlight (upon request with 76° comfort optics + 50° spotlights).  
 Standard version includes double switching.

**Upon request:** 3000K version with subcode **-39**. **CRI>90** (3000K-4000K)

- PUSH-DIMM version with sub-code **-1245** (4000K) or **-3945** (3000K)
- 1h EM version with subcode **-09** (4000K) or **-0928** (3000K) - 3h EM version with subcode **-31** (4000K) or **-3957** (3000K)



**Upon request:** special versions with other spotlights of the Matrix Q series  
**CRI>90** - 3000K or 4000K



**Liset 2.0 - C+2M - suspension**

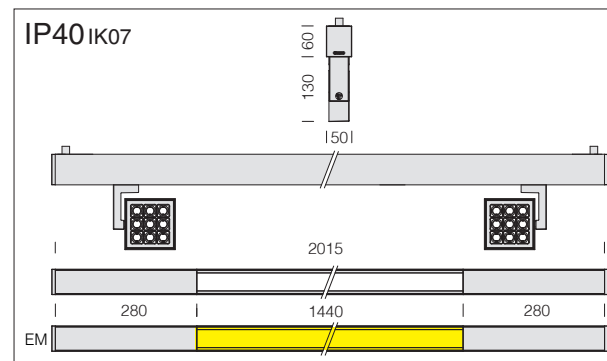
		CLD		CLD D-DIG (DALI)		LUMEN OUTPUT (tq= 25 °C)	
LED	housing	L (mm)	weight	code	code	W tot	K - ølm - CRI - degrees
LED	white	2015	4,50	22302510-00	22302510-1241	53	4000K - 3479lm - CRI>80 4000K - 2x1243lm - CRI>80 - 65°
LED	black	2015	4,50	22302530-00	22302530-1241	53	4000K - 3479lm - CRI>80 4000K - 2x1243lm - CRI>80 - 65°

Complete with millimetre adjustment device; suspensions o be purchased separately (see accessories page).

**Standard composition:** Liset 2.0 with diffuser + 2 modules with 65° black comfort optics (upon request with 76° beam angle). Standard version includes double switching.

**Upon request:** 3000K version with subcode **-39**. **CRI>90** (3000K-4000K)

- PUSH-DIMM version with sub-code **-1245** (4000K) or **-3945** (3000K)
- 1h EM version with subcode **-09** (4000K) or **-0928** (3000K) - 3h EM version with subcode **-31** (4000K) or **-3957** (3000K)



**Liset 2.0 - C+2S - suspension**

		CLD		CLD D-DIG (DALI)		LUMEN OUTPUT (tq= 25 °C)	
LED	housing	L (mm)	weight	code	code	W tot	K - ølm - CRI - degrees
LED	white	2015	5,50	22302511-00	22302511-1241	101	4000K - 3479lm - CRI>80 4000K - 2x2220lm - CRI>80 - 32°
LED	black	2015	5,50	22302531-00	22302531-1241	101	4000K - 3479lm - CRI>80 4000K - 2x2220lm - CRI>80 - 32°

Complete with millimetre adjustment device; suspensions o be purchased separately (see accessories page).

**Standard composition:** Liset 2.0 with diffuser + 2 modules with 32° spotlight (upon request with 50° beam angles). Standard version includes double switching.

**Upon request: CRI>90**

- 3000K version with sub-code **-39**
- PUSH-DIMM version with sub-code **-1245**
- 1h EM version with subcode **-09** and 3h EM with subcode **-31**



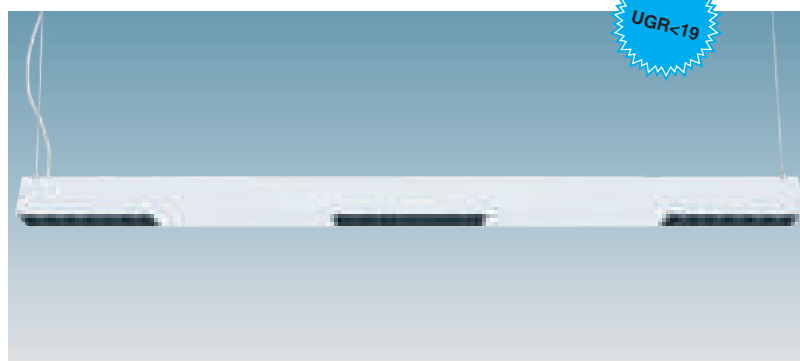
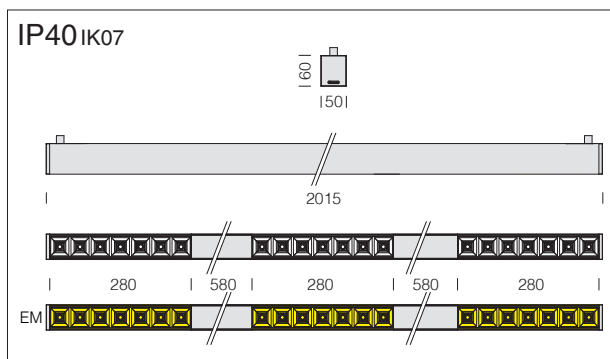
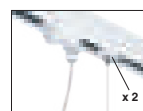


- DIMM
- DIG
- 3**★
- 1**★
- 1**★
- RG0**
- LOW FLICKER**
- CASAMBI**
- new**

**Suspension attachment for track**

black	22091432-00
white	22091412-00

Supplied with steel wire, mechanical adapter (2 per pack), power adapter with power cord.



**Liset 2.0 - C+H+3M - suspension - UGR<19**

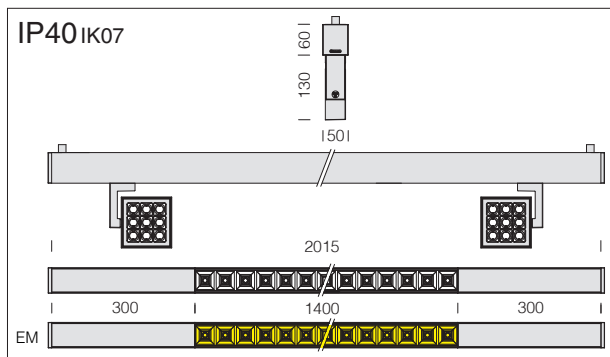
		CLD		CLD D-DIG (DALI)		W tot	LUMEN OUTPUT (tq= 25 °C)
LED	housing	L (mm)	weight	code			K - ølm - CRI - degrees
<b>LED</b>	white	2015	4,60	22302512-00		<b>27</b>	4000K - 3x1243lm - CRI>80 - 65°
	black			22302532-00			

Complete with millimetre adjustment device; suspensions o be purchased separately (see accessories page).

**Standard composition:** 3 modules with 65° black comfort optics (upon request with 76° beam angle).

**Upon request:** 3000K version with subcode **-39. CRI>90** (3000K-4000K)

- PUSH-DIMM version with sub-code **-1245** (4000K) or **-3945** (3000K)
- 1h EM version with subcode **-09** (4000K) or **-0928** (3000K) - 3h EM version with subcode **-31** (4000K) or **-3957** (3000K)
- with RADAR SENSOR: sub-code **-19**



**Liset 2.0 - C+M+2S - suspension - UGR<19**

		CLD		CLD D-DIG (DALI)		W tot	LUMEN OUTPUT (tq= 25 °C)
LED	housing	L (mm)	weight	code			K - ølm - CRI - degrees
<b>LED</b>	white	2015	6,50	22302513-00		<b>96</b>	4000K - 4561lm - CRI>80 - 65°
	black			22302533-00			4000K - 2x2220lm - CRI>80 - 32°
<b>LED</b>	white	2015	6,50	22302513-00		<b>96</b>	4000K - 4561lm - CRI>80 - 65°
	black			22302533-00			4000K - 2x2220lm - CRI>80 - 32°

Complete with millimetre adjustment device; suspensions o be purchased separately (see accessories page).

**Standard composition:** Liset 2.0 with 65° black comfort optics + 2 modules with 32° spotlight (upon request with 76° comfort optics + 50° spotlights).

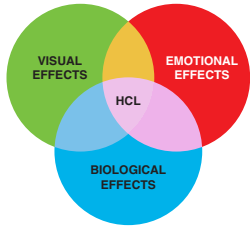
Standard version includes double switching.

**Upon request:** 3000K version with subcode **-39. CRI>90** (3000K-4000K)

- PUSH-DIMM version with sub-code **-1245** (4000K) or **-3945** (3000K)
- 1h EM version with subcode **-09** (4000K) or **-0928** (3000K) - 3h EM version with subcode **-31** (4000K) or **-3957** (3000K)

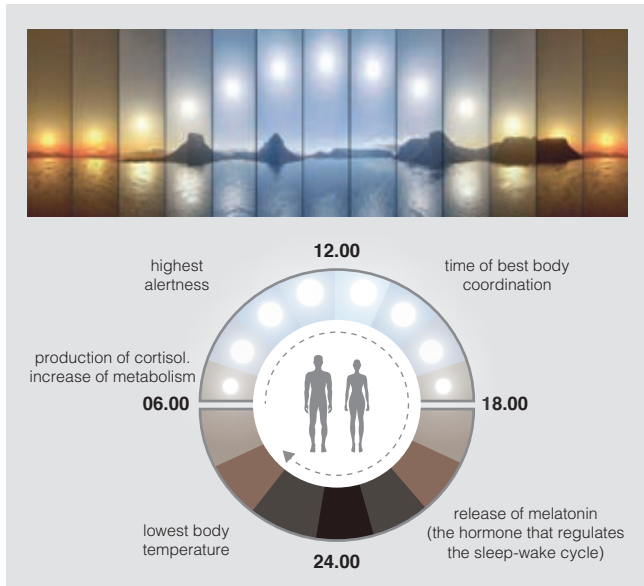
**What is Human Centric Lighting and how can we achieve it?**

**Human Centric Lighting (HCL)** is a concept that represents a deep cultural change that aims to achieve a healthier and more balanced relationship with the spaces we live in. It follows criteria that show the beneficial and positive effects of natural and artificial lighting on our health, wellbeing, quality of life and daily activities in both the long and short terms.



Our modern lifestyle is not aligned with nature's rhythms. We spend most of our time indoors where artificial lighting has virtually abolished the difference between day and night. Over the last decades, however, scientific research has made it clear that light isn't just for seeing, but also for governing how our body works from both the biological and psychological points of view.

And this is precisely the basic goal of Human Centric Lighting: **to design lights that don't take into account only of the visual effects, but also of the biological and emotional impact on humans.**



**The biologic clock (circadian rhythm)**

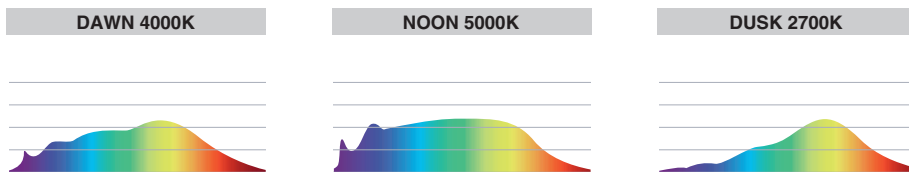
We use the definition of **"biological clock"** because, over the course of the day, the variations of light, from dawn to dusk, up to the dark of the night, send precise signals to our body, triggering specific psychological responses. **Blood pressure, body temperature** and the production of **specific hormones** vary over the course of 24 hours.

When we wake up, the morning light triggers processes that stimulate attention span, which reaches its peak during the central hours of the day, to then decline with the arrival of the evening in order to prepare our body for night-time rest. This mechanism, which varies according to seasons and individual characteristics, is necessary for our body to work properly.

**A systematic disruption of our biological clock is harmful for our health**

Numerous studies prove that the disruption of our sleep-wake cycle provokes **fatigue and sleeping disorders**, it has a negative impact on mood and on our psychological wellbeing, it can cause **anxiety or depression**, as well as **gastro-intestinal disorders** and, if prolonged over time, it increases the risk of **cardio-vascular diseases** (strokes and heart attacks) and **metabolic disorders** (such as obesity and diabetes). Lastly, it can weaken the immune system favouring the outburst of some cancers.

Therefore, according to research, it is important that **our body** receives the signals from **natural light** and its evolution **throughout the day**. Natural light has a different light spectrum with different wavelengths based on the time of the day:

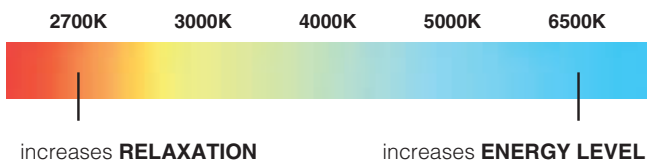


LED sources generally emit light in the blue wavelength spectrum, which is potentially harmful for our eyes and our health because they can influence the production of melatonin that may in turn impact our biological clock and alter our sleep-wake cycle.

Using lighting sources like **LED Tunable White** that can mimic the quality of natural light is key.

**LED Tunable White for HCL applications**

It is a latest generation LED technology that allows adjusting colour temperatures from 2700K to 6500K, from a warm light to a cold light. LED Tunable White modules for HCL applications contain two adjacent diodes that emit light at 2700K and 6500K, as well as intermediate colours by mixing colour temperatures.



Researchers have demonstrated that our brain is stimulated:  
 - by the **warm light** of morning and evening hours (2700K) increasing our sense of relaxation;  
 - by the **cold light** of daylight (6500 K) making us feel more energetic and concentrated.

This concept offers excellent visual and working conditions, but above all, it focuses on our **circadian rhythm**, which governs our biological clock. Our biorhythms depend on the signals deriving from the **amount and quality of natural light** and from the environmental **colour temperature**. In this way, Tunable White creates an environment capable of helping us in a natural way, just like daylight would do.



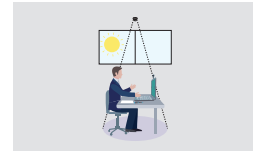
### Presence and light sensors for HCL applications

For further information see chapter dimmable fixture control kit

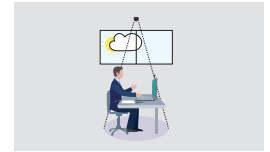
In addition to the **Tunable Light technology**, the fixtures can be equipped with **presence and lighting sensors** that allow adjusting artificial lighting, while keeping the lumen value set according to the room's occupancy and the contribution of natural light. The built-in sensor measures constantly the luminosity value in the environment and compares it with the value set in the presence detector.



1. Immediate detection of anyone entering within its range.



2. Adjustment of lights based on daylight



3. Constant measurement of the environment's lighting level.

### The new frontier of human centric lighting

The new LED lighting fixtures have features that allow artificial lights to mimic the **quality of natural light**, and have the necessary amount of light to allow us to complete, as best as possible, different work and study activities, as well as create a pleasant environment where lights can follow the natural trend of daylight. Designers who follow the principles of **Human Centric Lighting** using the new LED fixtures will achieve:

- **Greater amount of light:**

LED sources cut down energy costs while achieving a high luminous flux in accordance with sustainable consumption patterns.

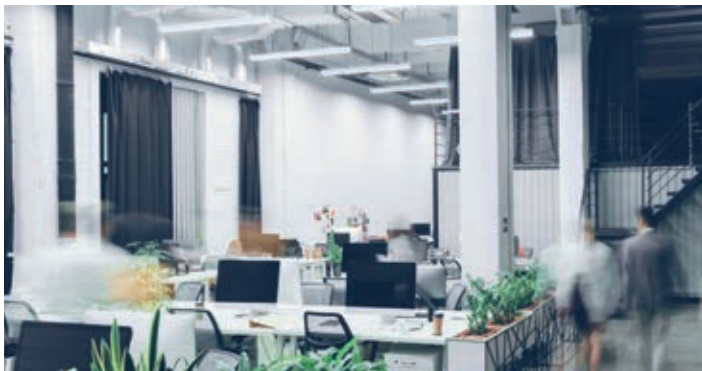
- **Improved light quality:**

the new sources combine high colour rendering and correct light distribution, guaranteeing maximum visual comfort; while anti-glare optics and the low-flicker sources protect human eyesight.

- **Efficient light control:**

the possibility to adjust lights via more accurate and programmable control systems can dim lights during the day in order to reproduce the rhythm of outdoor light or automatically adjust them to the amount of daylight. Moreover, it is possible to choose the best amount of light for a certain type of activity, whether it is reading, working at the PC or a business meeting.

As we spend most of our time working or living indoors, we are forced to compensate for the lack of daylight with artificial lighting. Below are some examples of why it is important to achieve HCL in our common living spaces and workplaces.



#### Why choose HCL in the workplace?

High quality lighting, together with good interior design and an adequate ventilation/air conditioning of spaces are key elements of the ideal office. In particular, a lighting system that applies, even if only partly, the principles of Human Centric Lighting (HCL) allows building a space that facilitates work, improves concentration and protects the health of workers.



#### Why choose HCL in education institutions?

The possibility to study in a comfortable, pleasant and well-illuminated environment increases academic performance. This means that fixtures installed in classrooms, laboratories and corridors should be chosen not only to meet viewing needs, but also to create a study and work environment that is pleasant and functional, while also being energy-efficient and low-cost.



#### Why choose HCL in healthcare facilities?

With the right fixtures and the correct Human Centric Lighting approach it is possible to choose different colour temperatures and light levels for different rooms based on the amount of daylight entering the room at specific hours of the day, with pleasant and soothing results..

LED - 65°

55 x 570  
55 x 1130

LOW FLICKER

2700K  
6500K

TUNABLE WHITE

UGR<19

v.a. IP20 IK07  
v.l. IP40 IK07

172 | 161 | 165 | 127 |

580/1140

**Liset 2.0 TW - recessed - comfort optics - UGR<19**

LED	housing	CLD D-DIG (DALI)			W tot	LUMEN OUTPUT (tq= 25 °C)
		L (mm)	weight	code		K - ølm - CRI - degrees
LED 14 lenses	white	580	1,10	22302101-0024	16	2700K÷6500K - 2092lm - CRI>80 - 65°
LED 28 lenses	white	1140	2,20	22302102-0024	29	2700K÷6500K - 3603lm - CRI>80 - 65°

- Upon request: CRI>90
- black colour housing version
  - 76° beam version

**Comfort optics:** in white anti-glare polycarbonate for improved visual comfort (the black and DARK metallized colour version are available upon request).

**LED:** luminous flux maintenance 80%: 50.000h (L80B20). Power factor ≥0.92.

LED - 65°

Upon request: 76° beam

LOW FLICKER

2700K  
6500K

TUNABLE WHITE

UGR<19

IP40 IK07

160 | 1501

655/1135

**Liset 2.0 TW - ceiling - comfort optics - UGR<19**

LED	housing	CLD D-DIG (DALI)			W tot	LUMEN OUTPUT (tq= 25 °C)
		L (mm)	weight	code		K - ølm - CRI - degrees
LED 28 lenses	white	1135	3,20	22302105-0024	29	2700K÷6500K - 3375lm - CRI>80 - 65°
	black			22302135-0024		

Upon request: CRI>90

**Comfort optics:** in black anti-glare polycarbonate for improved visual comfort (the white and DARK metallized colour version are available upon request).

**LED:** luminous flux maintenance 80%: 50.000h (L80B20). Power factor ≥0.92.

LED - 65°

Upon request: 76° beam

LOW FLICKER

2700K  
6500K

TUNABLE WHITE

UGR<19

IP40 IK07

160 | 1501

655/1135

**Liset 2.0 TW - suspension - direct light - comfort optics - UGR<19**

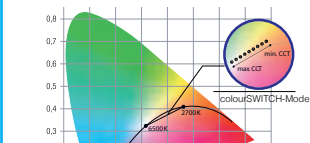
LED	housing	CLD D-DIG (DALI)			W tot	LUMEN OUTPUT (tq= 25 °C)
		L (mm)	weight	code		K - ølm - CRI - degrees
LED 28 lenses	white	1135	3,20	22302111-0024	29	2700K÷6500K - 3375lm - CRI>80 - 65°
	black			22302131-0024		

Complete with millimetre adjustment device; suspensions o be purchased separately (see accessories page). Upon request: CRI>90

**Comfort optics:** in black anti-glare polycarbonate for improved visual comfort (the white and DARK metallized colour version are available upon request).

**LED:** luminous flux maintenance 80%: 50.000h (L80B20). Power factor ≥0.92.

**TECHNICAL CHARACTERISTICS - TW BASIC VERSION**



- Colour temperature adjustment range from 2700K to 6500K on a linear scale
- MacAdams 3
- Full 3% to 100% dimming range
- ≤4% flicker
- Constant colour temperature over the entire dimming range
- Constant luminous flux

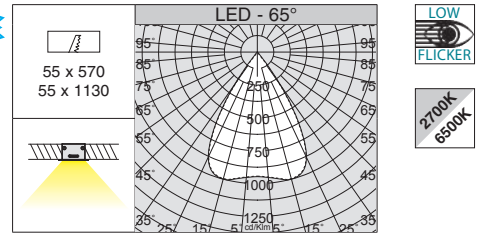
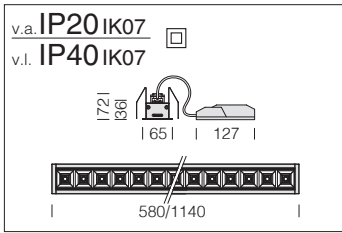
**colourSWITCH function**

A conventional pushbutton can be used to control the system via colourSWITCH. Use of pushbutton with indicator lamp is not permitted. If the device is controlled via DALI/DSI, colourSWITCH is not available. For control via a pushbutton different settings can be made:

- Short press: setting the colour temperature via colourSWITCH mode with 9 values between 2,700 and 6,500 K.
- Long press (> 1 s): stepless setting of colour temperature. After completion the colour temperature direction will be inverted. In installations with LED Drivers with different colour temperature or opposite colour temperature directions (e.g. after a system extension), all LED Drivers can be synchronized to 4,500 K by a 10 s push.

**switchDIM function**

Integrated switchDIM function allows a direct connection of a pushbutton for dimming and switching. Brief push (< 0.6 s) switches LED Driver ON and OFF. The dim level is saved at power-down and restored at power-up. When the pushbutton is held, LED modules are dimmed. After releasing and pushing the LED modules are dimmed in the opposite direction. In installations with LED Drivers with different dimming levels or opposite dimming directions (e.g. after a system extension), all LED Drivers can be synchronized to 50 % dimming level by a 10 s push. Use of pushbutton with indicator lamp is not permitted.



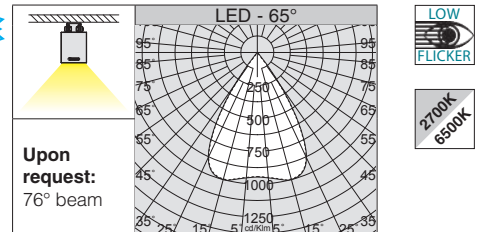
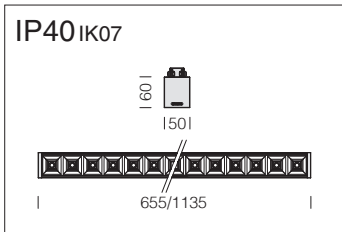
**Comfort optics:** in white anti-glare polycarbonate for improved visual comfort (the black and DARK metallized colour version are available upon request).

**LED:** luminous flux maintenance 80%: 50.000h (L80B20). Power factor  $\geq 0.92$ .

Liset 2.0 HCL - recessed - comfort optics - UGR<19						
		CLD DW (HCL)			LUMEN OUTPUT (tq= 25 °C)	
LED	housing	L (mm)	weight	code	W tot	K - $\phi$ lm - CRI - degrees
LED 14 lenses	white	580	1,10	22302101-89	16	2700K÷6500K - 2092lm - CRI>80 - 65°
LED 28 lenses	white	1140	2,20	22302102-89	29	2700K÷6500K - 3603lm - CRI>80 - 65°

Upon request: CRI>90

- black colour housing version
- 76° beam version

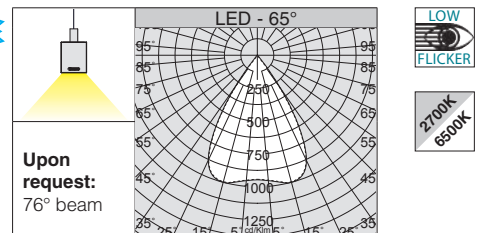
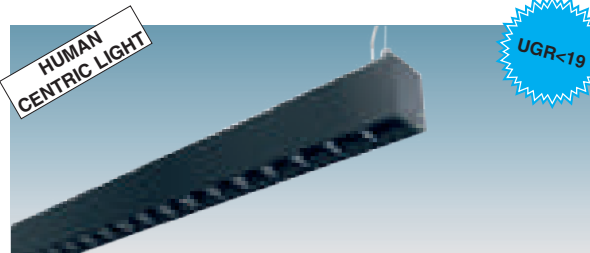
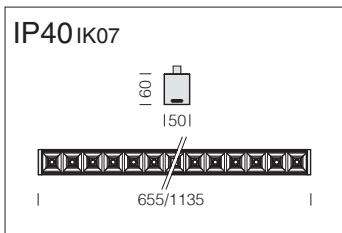


**Comfort optics:** in black anti-glare polycarbonate for improved visual comfort (the white and DARK metallized colour version are available upon request).

**LED:** luminous flux maintenance 80%: 50.000h (L80B20). Power factor  $\geq 0.92$ .

Liset 2.0 HCL - ceiling - comfort optics - UGR<19						
		CLD DW (HCL)			LUMEN OUTPUT (tq= 25 °C)	
LED	housing	L (mm)	weight	code	W tot	K - $\phi$ lm - CRI - degrees
LED 28 lenses	white	1135	3,20	22302105-89	29	2700K÷6500K - 3375lm - CRI>80 - 65°
	black			22302135-89		

Upon request: CRI>90



**Comfort optics:** in black anti-glare polycarbonate for improved visual comfort (the white and DARK metallized colour version are available upon request).

**LED:** luminous flux maintenance 80%: 50.000h (L80B20). Power factor  $\geq 0.92$ .

Liset 2.0 HCL - suspension - direct light - comfort optics - UGR<19						
		CLD DW (HCL)			LUMEN OUTPUT (tq= 25 °C)	
LED	housing	L (mm)	weight	code	W tot	K - $\phi$ lm - CRI - degrees
LED 28 lenses	white	1135	3,20	22302111-89	29	2700K÷6500K - 3375lm - CRI>80 - 65°
	black			22302131-89		

Complete with millimetre adjustment device; suspensions o be purchased separately (see accessories page). Upon request: CRI>90

- Colour temperature adjustment range from 2700K to 6500K on a linear scale
- Full 3% to 100% dimming range
- Switch-off fading
- <4% flicker
- Constant colour temperature over the entire dimming range
- LED driver that automatically adjusts lights to the desired colour temperature and the required luminous flux

### TECHNICAL CHARACTERISTICS - HCL WIRELESS VERSION

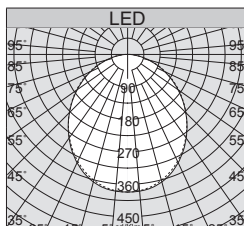
The Dynamic White function allows adjusting the colour temperature from 2700K to 6500K to create a sense of the passing of time (circadian rhythm) and to set the mood and ambiance of a space according to our daily activities. Circadian lighting obtained with the Dynamic White function is the best solution to implement Human Centric Lighting (HCL) in classrooms, university campuses, offices and hospitals where lights can mimic the natural trend of daylight throughout the entire day.

#### HCL WIRELESS INSTALLATION EXAMPLE (POINT-TO-POINT)

The standard version of the fixture comes with a wireless driver. Liset 2.0 can be easily controlled from a smartphone/tablet via a **free app**.


..... max 100

MOBILE DEVICE APP



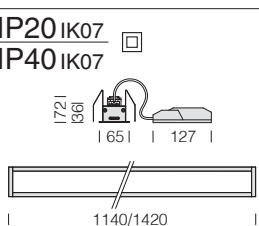
LED  
55 x 1130  
55 x 1410

LOW FLICKER  
2700K-6500K



**TUNABLE WHITE**

v.a. **IP20 IK07**  
v.l. **IP40 IK07**



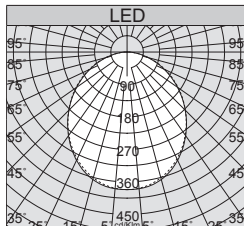
172 | 136 | 165 | 127 |  
1140/1420

**Liset 2.0 TW - recessed - with polycarbonate diffuser**

LED	housing	CLD D-DIG (DALI)			W tot	LUMEN OUTPUT (tq= 25 °C)	
		L (mm)	weight	code		K - ølm - CRI	
<b>LED 4 modules</b>	white	1140	1,70	22302201-0024	40	2700K÷6500K - 3250÷3220lm - <b>CRI&gt;90</b>	
<b>LED 5 modules</b>	white	1420	2,00	22302202-0024	40	2700K÷6500K - 2984÷3176lm - <b>CRI&gt;90</b>	


**Diffuser:** in polycarbonate.

**LED:** luminous flux maintenance 80%: 50.000h (L80B20).  
Power factor ≥0.92.



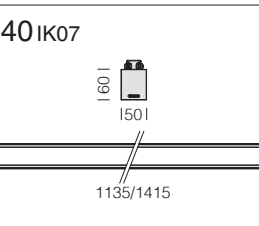
LED  
1135 x 250  
1415 x 300

LOW FLICKER  
2700K-6500K



**TUNABLE WHITE**

**IP40 IK07**



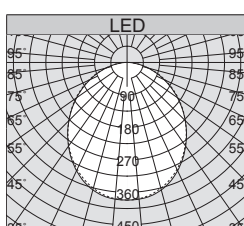
160 | 150 |  
1135/1415

**Liset 2.0 TW - ceiling - with polycarbonate diffuser**

LED	housing	CLD D-DIG (DALI)			W tot	LUMEN OUTPUT (tq= 25 °C)	
		L (mm)	weight	code		K - ølm - CRI	
<b>LED 4 modules</b>	white	1135	2,50	22302203-0024	40	2700K÷6500K - 2899÷3357lm - <b>CRI&gt;90</b>	
	black			22302233-0024			
<b>LED 5 modules</b>	white	1415	3,00	22302204-0024	40	2700K÷6500K - 3044÷3524lm - <b>CRI&gt;90</b>	
	black			22302234-0024			


**Diffuser:** in polycarbonate.

**LED:** luminous flux maintenance 80%: 50.000h (L80B20).  
Power factor ≥0.92.



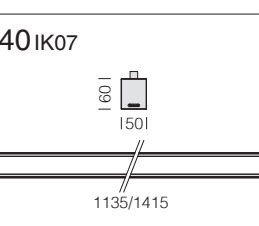
LED  
1135 x 250  
1415 x 300

LOW FLICKER  
2700K-6500K



**TUNABLE WHITE**

**IP40 IK07**



160 | 150 |  
1135/1415

**Liset 2.0 TW - suspension - direct light - with polycarbonate diffuser**

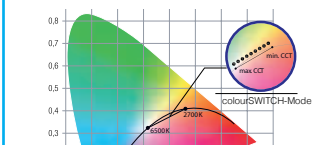
LED	housing	CLD D-DIG (DALI)			W tot	LUMEN OUTPUT (tq= 25 °C)	
		L (mm)	weight	code		K - ølm - CRI	
<b>LED 4 modules</b>	white	1135	2,50	22302208-0024	40	2700K÷6500K - 2899÷3357lm - <b>CRI&gt;90</b>	
	black			22302238-0024			
<b>LED 5 modules</b>	white	1415	3,00	22302209-0024	40	2700K÷6500K - 3044÷3524lm - <b>CRI&gt;90</b>	
	black			22302239-0024			

**Diffuser:** in polycarbonate.

**LED:** luminous flux maintenance 80%: 50.000h (L80B20).  
Power factor ≥0.92.

Complete with millimetre adjustment device; suspensions o be purchased separately (see accessories page). **Upon request: CRI>90**

**TECHNICAL CHARACTERISTICS - TW BASIC VERSION**



- Colour temperature adjustment range from 2700K to 6500K on a linear scale
- MacAdams 3
- Full 3% to 100% dimming range
- ≤4% flicker
- Constant colour temperature over the entire dimming range
- Constant luminous flux

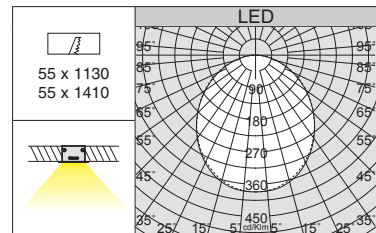
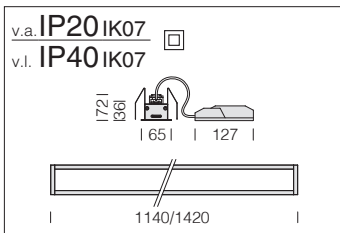
**colourSWITCH function**

A conventional pushbutton can be used to control the system via colourSWITCH. Use of pushbutton with indicator lamp is not permitted. If the device is controlled via DALI/DSI, colourSWITCH is not available. For control via a pushbutton different settings can be made:

- Short press: setting the colour temperature via colourSWITCH mode with 9 values between 2,700 and 6,500 K.
- Long press (> 1 s): stepless setting of colour temperature. After completion the colour temperature direction will be inverted. In installations with LED Drivers with different colour temperature or opposite colour temperature directions (e.g. after a system extension), all LED Drivers can be synchronized to 4,500 K by a 10 s push.

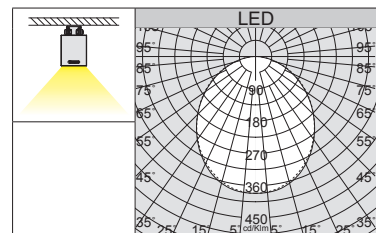
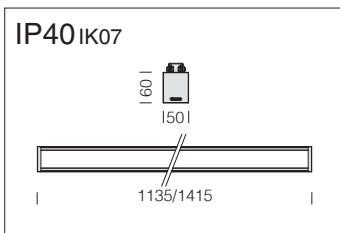
**switchDIM function**

Integrated switchDIM function allows a direct connection of a pushbutton for dimming and switching. Brief push (< 0.6 s) switches LED Driver ON and OFF. The dim level is saved at power-down and restored at power-up. When the pushbutton is held, LED modules are dimmed. After releasing and pushing the LED modules are dimmed in the opposite direction. In installations with LED Drivers with different dimming levels or opposite dimming directions (e.g. after a system extension), all LED Drivers can be synchronized to 50 % dimming level by a 10 s push. Use of pushbutton with indicator lamp is not permitted.



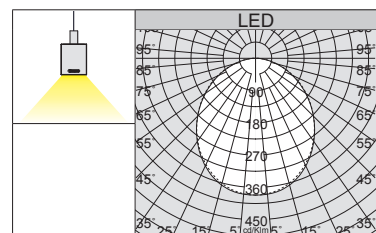
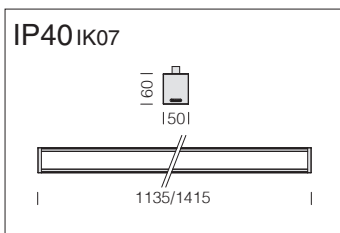
**Diffuser:** in polycarbonate.  
**LED:** luminous flux maintenance 80%: 50.000h (L80B20).  
 Power factor  $\geq 0.92$ .

Liset 2.0 HCL - recessed - with polycarbonate diffuser						
CLD DW (HCL)				LUMEN OUTPUT (tq= 25 °C)		
LED	housing	L (mm)	weight	code	W tot	K - $\phi$ lm - CRI
LED 4 modules	white	1140	1,70	22302201-89	40	2700K+6500K - 3250+3220lm - CRI>90
LED 5 modules	white	1420	2,00	22302202-89	40	2700K+6500K - 2984+3176lm - CRI>90



**Diffuser:** in polycarbonate.  
**LED:** luminous flux maintenance 80%: 50.000h (L80B20).  
 Power factor  $\geq 0.92$ .

Liset 2.0 HCL - ceiling - with polycarbonate diffuser						
CLD DW (HCL)				LUMEN OUTPUT (tq= 25 °C)		
LED	housing	L (mm)	weight	code	W tot	K - $\phi$ lm - CRI
LED 4 modules	white	1135	2,50	22302203-89	40	2700K+6500K - 2899+3357lm - CRI>90
	black			22302233-89		
LED 5 modules	white	1415	3,00	22302204-89	40	2700K+6500K - 3044+3524lm - CRI>90
	black			22302234-89		

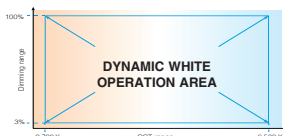


**Diffuser:** in polycarbonate.  
**LED:** luminous flux maintenance 80%: 50.000h (L80B20).  
 Power factor  $\geq 0.92$ .

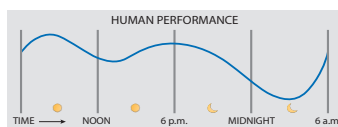
Liset 2.0 HCL - suspension - direct light - with polycarbonate diffuser						
CLD DW (HCL)				LUMEN OUTPUT (tq= 25 °C)		
LED	housing	L (mm)	weight	code	W tot	K - $\phi$ lm - CRI
LED 4 modules	white	1135	2,50	22302208-89	40	2700K+6500K - 2899+3357lm - CRI>90
	black			22302238-89		
LED 5 modules	white	1415	3,00	22302209-89	40	2700K+6500K - 3044+3524lm - CRI>90
	black			22302239-89		

Complete with millimetre adjustment device; suspensions o be purchased separately (see accessories page). **Upon request: CRI>90**

**TECHNICAL CHARACTERISTICS - HCL WIRELESS VERSION**



- Colour temperature adjustment range from 2700K to 6500K on a linear scale
- Full 3% to 100% dimming range
- Switch-off fading
- <4% flicker
- Constant colour temperature over the entire dimming range
- LED driver that automatically adjusts lights to the desired colour temperature and the required luminous flux

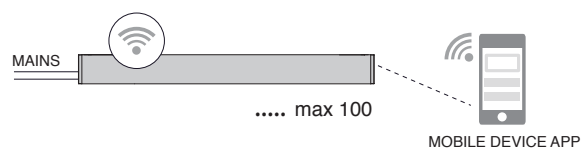


natural trend of daylight throughout the entire day.

The Dynamic White function allows adjusting the colour temperature from 2700K to 6500K to create a sense of the passing of time (circadian rhythm) and to set the mood and ambiance of a space according to our daily activities. Circadian lighting obtained with the Dynamic White function is the best solution to implement Human Centric Lighting (HCL) in classrooms, university campuses, offices and hospitals where lights can mimic the

**HCL WIRELESS INSTALLATION EXAMPLE (POINT-TO-POINT)**

The standard version of the fixture comes with a wireless driver. Liset 2.0 can be easily controlled from a smartphone/tablet via a **free app**.



**“A new technology to disinfect, sanitize and purify air and surfaces: Liset 2.0 UV”**

**UV fixtures are the best way to eliminate airborne microorganisms that may cause certain epidemic infectious diseases**

Highly frequented places can be sanitized with UV lamps. UV rays trigger a photochemical reaction within the germs damaging their protein structure to alter their DNA/RNA. This makes them harmless and unable to replicate, preventing the spread of contagion, disease or damage. Ultraviolet germicidal irradiation is a safe, proven and effective technology for the **elimination of microorganisms** like bacteria, viruses, fungi, spores, mites and moulds. It ensures bacteriologically controlled surfaces and can be used in luminaires for the bacteriological sanitization of:

- offices and schools
- waiting rooms
- medical studios
- bars and restaurants
- shopping malls and stores
- gyms
- beauty salons and wellness centres
- hotels



**Ultraviolet germicidal irradiation**

Ultraviolet radiation (UV) is that portion of the electromagnetic spectrum that goes from the lower wavelength limit of the visible light to the upper wavelength limit of X rays.

Ultraviolet radiation has a wavelength between 100 and 400 nm (1 nm = 10<sup>-9</sup> m) and is not visible to the naked eye.

The UV spectrum is divided into three sub-regions:

- UV-A (long wavelength) from 315 to 400 nm
- UV-B (medium wavelength) from 280 to 315 nm
- UV-C (short wavelength) from 100 to 280 nm

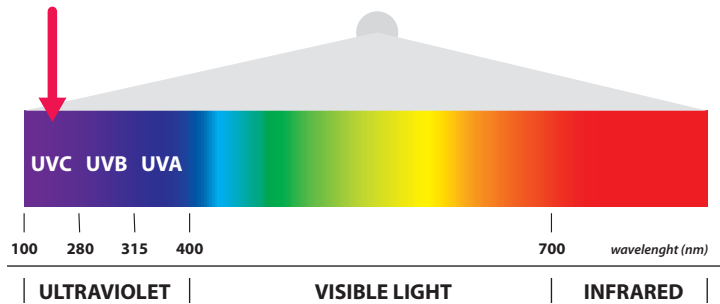
The portion of the UV spectrum (the “germicidal range”) that is important for disinfection purposes is the range absorbed by DNA (RNA in some viruses). This germicidal range is approximately 200 - 300 nm, with a peak of germicidal effectiveness at about 265 nm. The absorption of UV radiation by the DNA chain of pathogenic microorganisms provokes the destruction of a link in the chain, hence inhibiting DNA replication.

Thanks to the filtering action of the Earth’s atmosphere, most UV in nature is UV-A, a very small portion is UV-B, and UV-C rays are practically absent.

The **UV-A** light modules are less aggressive than the UV-C modules and require longer sanitization time. It is therefore necessary to control ON/OFF times based on the absence/presence of people in the room. For example: sanitization can be carried out at night, on weekends, on holidays, on certain weekdays, when certain areas are closed.

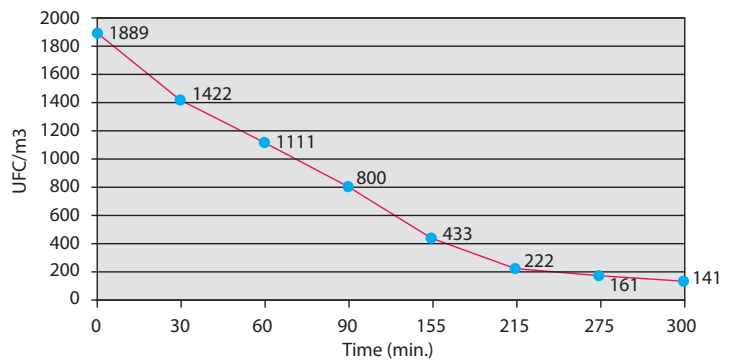
The **UV-C** light modules are more aggressive than UV-A modules and allow shorter sanitization time. We recommend equipping the system with “absence devices” (sensors or smart technology) so that the UV-C modules will activate only when nobody is in the room.

**OPTIMAL UV DISINFECTION RANGE**



*UV band eliminates bacteria, viruses, fungi, spores, moulds and mites, destroying the DNA and inhibiting its replication and proliferation.*

*UV technology is a physical disinfection method with an excellent cost-benefit ratio, it is ecological and, unlike chemical agents, it works against all microorganisms without creating resistance.*



*Reduction of microbial load over a period of time after the UV-C luminaire is switched on*

**MAIN ADVANTAGES OF UV**



**EFFECTIVE**

Kills 99.9% of microorganisms



**FAST**

Extremely fast sanitization time



**EASY TO USE**

Night-time use and in the absence of people



**LOW-COST**

Considerable saving of time and disinfectants



**ECOLOGICAL**

Does not interact with foreign bodies and does not require additives that may not be biodegradable



Before installing UV luminaires, **be sure to entrust the lighting design to a professional lighting designer.** The main factors to consider for a proper use of UV sources are:

- radiated power
- exposure time
- distance
- emission spectrum

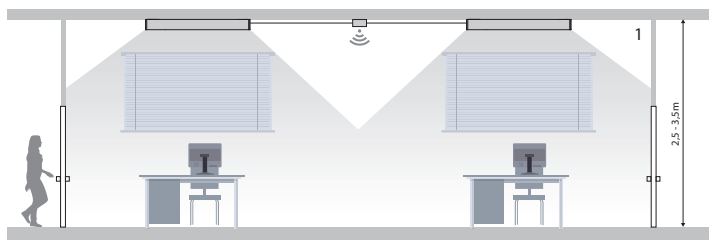
For a UV lamp to be effective on spores, germs, bacteria and viruses, the lighting system must be designed so that the above parameters are correctly combined in order to achieve the desired results according to scientific/academic studies and literature.

UV luminaires can be installed in a room by simply connecting them to the lighting system. This type of application requires the supervision of a qualified installer who will assess the safety of the system, based on whether or not people\* are inside the room.

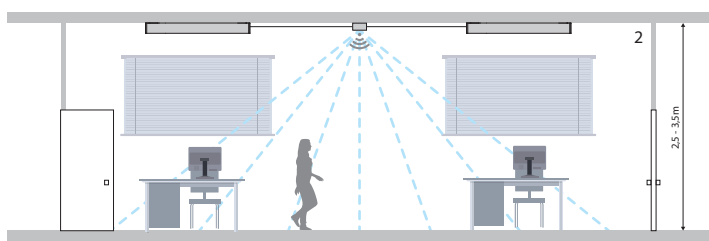
#### Example of installation with “absence” sensors:

The use of UV sources, especially those in the UV-C wavelength band, require special attention as they can cause inflammation and damage, sometimes even permanently. This is why it is essential that UV sources are used when there are no people and/or animals in the room.

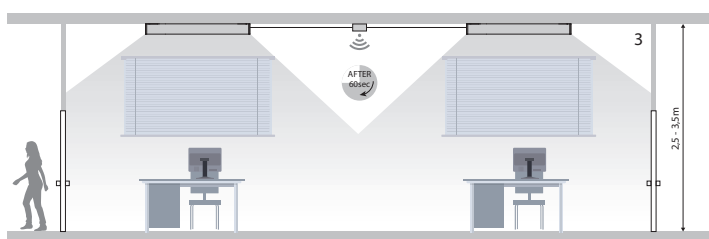
- Use of timers or time switchers (on-off timers).
- Use of “absence” detectors (sensors)
- Use of SMART control devices to control the lighting system.



1) When powered on, if the sensor doesn't detect any presence in the room for 60 seconds, the lights will turn on and the buzzer will sound for a pre-set time.



2) If the sensor detects a movement, the buzzer will stop, and the lights will switch off immediately.



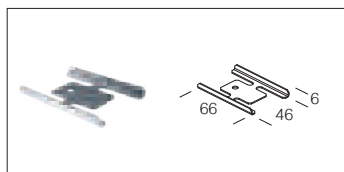
3) Then, if 60 seconds go by and the sensor doesn't read any movement, the buzzer will set off again and the lights will turn on until reaching the pre-set time.

For further information on the versions of **Liset 2.0 UV-A and UV-C**, contact our offices or [www.disano.it](http://www.disano.it).

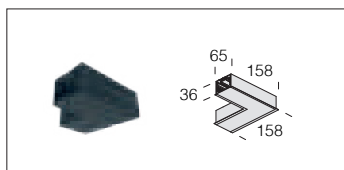
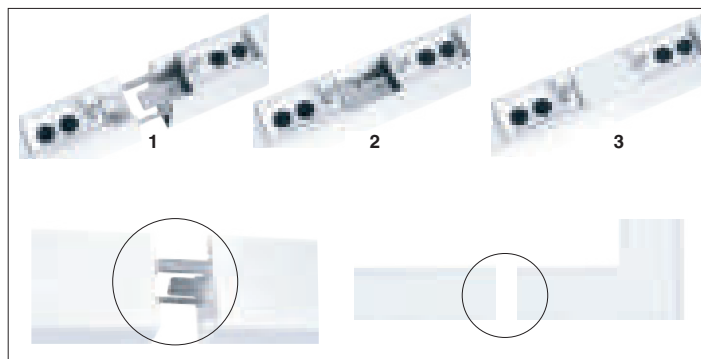


#### \* NOTE:

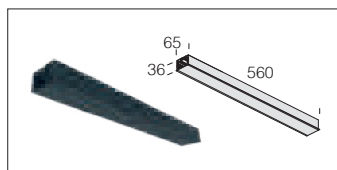
1. UV light may cause serious damage to the skin or the eyes, therefore avoid direct exposure on humans, animals and plants.
2. Lighting fixtures equipped with LED UV sources must be used only in the absence of people.
3. Luminaires must be installed by qualified staff to ensure compliance with safety and radiation protection requirements.



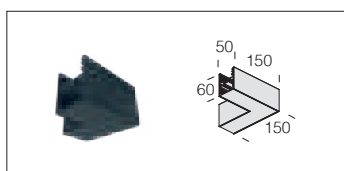
**Connecting bracket**  
22025877-00  
It permits mechanical connection of the profiles. For ceiling / suspension versions "S".



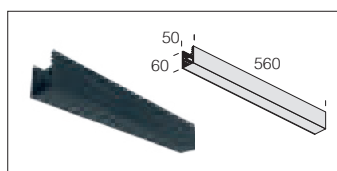
**S recessed angle module**  
black 22302632-03  
white 22302612-03  
It permits angle connection of Liset 2.0. Use with acc. 22025877-00.



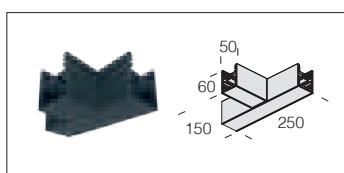
**S recessed linear module**  
black 22385632-03  
white 22385612-03  
It permits linear connection of Liset 2.0. Use with acc. 22025877-00.



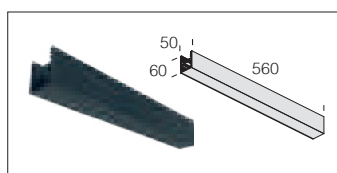
**S suspension/ceiling angle module**  
black 22302630-03  
white 22302610-03  
It permits angle connection of Liset 2.0. Use with acc. 22025877-00.



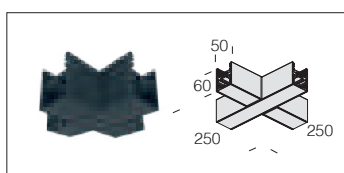
**S suspension linear module**  
black 22385630-03  
white 22385610-03  
It permits linear connection of Liset 2.0. Use with acc. 22025877-00.



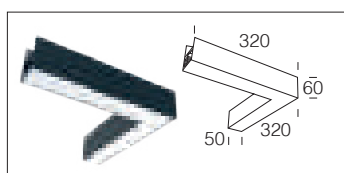
**S suspension/ceiling T angle module**  
black 22302634-03  
white 22302614-03  
It permits T angle connection of Liset 2.0. Use with acc. 22025877-00.



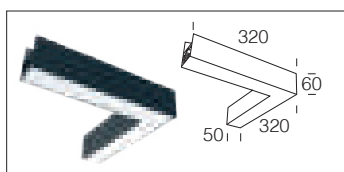
**S ceiling linear module**  
black 22385631-03  
white 22385611-03  
It permits linear connection of Liset 2.0. Use with acc. 22025877-00.



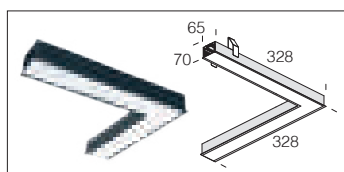
**S suspension/ceiling X angle module**  
nero 22302635-03  
bianco 22302615-03  
It permits X angle connection of Liset 2.0. Use with acc. 22025877-00.



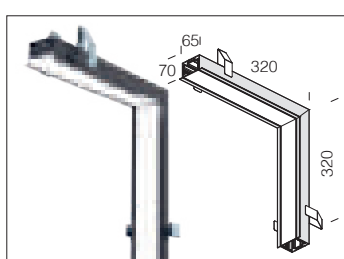
**Suspension angle module "ALL LIGHT" with polycarbonate diffuser**  
black 22302630-00  
white 22302610-00  
14W 4000K - CRI>80  
It permits angle connection of Liset 2.0 with polycarbonate diffuser. Equipped for continuous line. **Upon request: CRI>90. DIMM DALI** version with subcode -1241. 3000K version with subcode -39. Kg= 1,1.



**Ceiling angle module "ALL LIGHT" with polycarbonate diffuser**  
black 22302631-00  
white 22302611-00  
14W 4000K - CRI>80  
It permits angle connection of Liset 2.0 with polycarbonate diffuser. Equipped for continuous line. **Upon request: CRI>90. DIMM DALI** version with subcode -1241. 3000K version with subcode -39. Kg= 1,1.

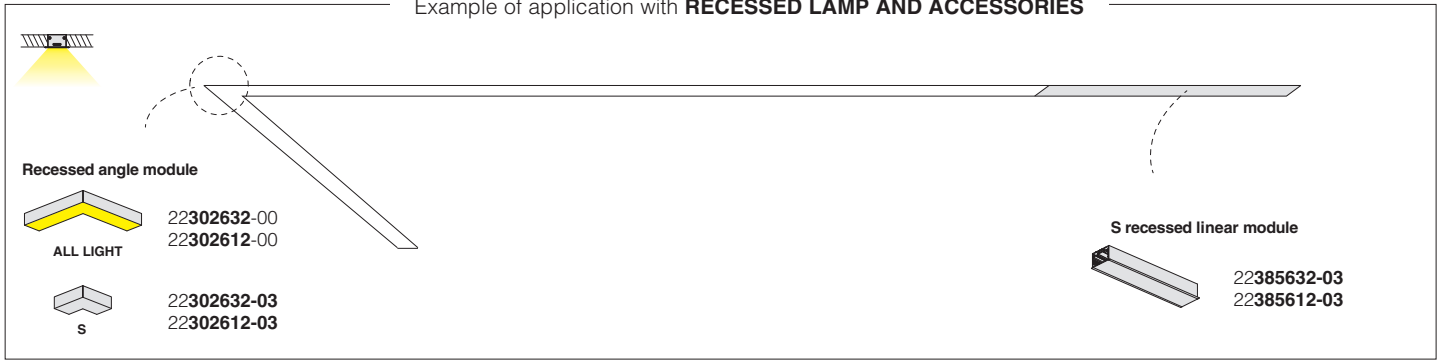


**Recessed angle module "ALL LIGHT" with polycarbonate diffuser**  
black 22302632-00  
white 22302612-00  
14W 4000K - CRI>80  
It permits angle connection of Liset 2.0 with polycarbonate diffuser. Equipped for continuous line. **Upon request: CRI>90. DIMM DALI** version with subcode -1241. 3000K version with subcode -39. Kg= 1,1.

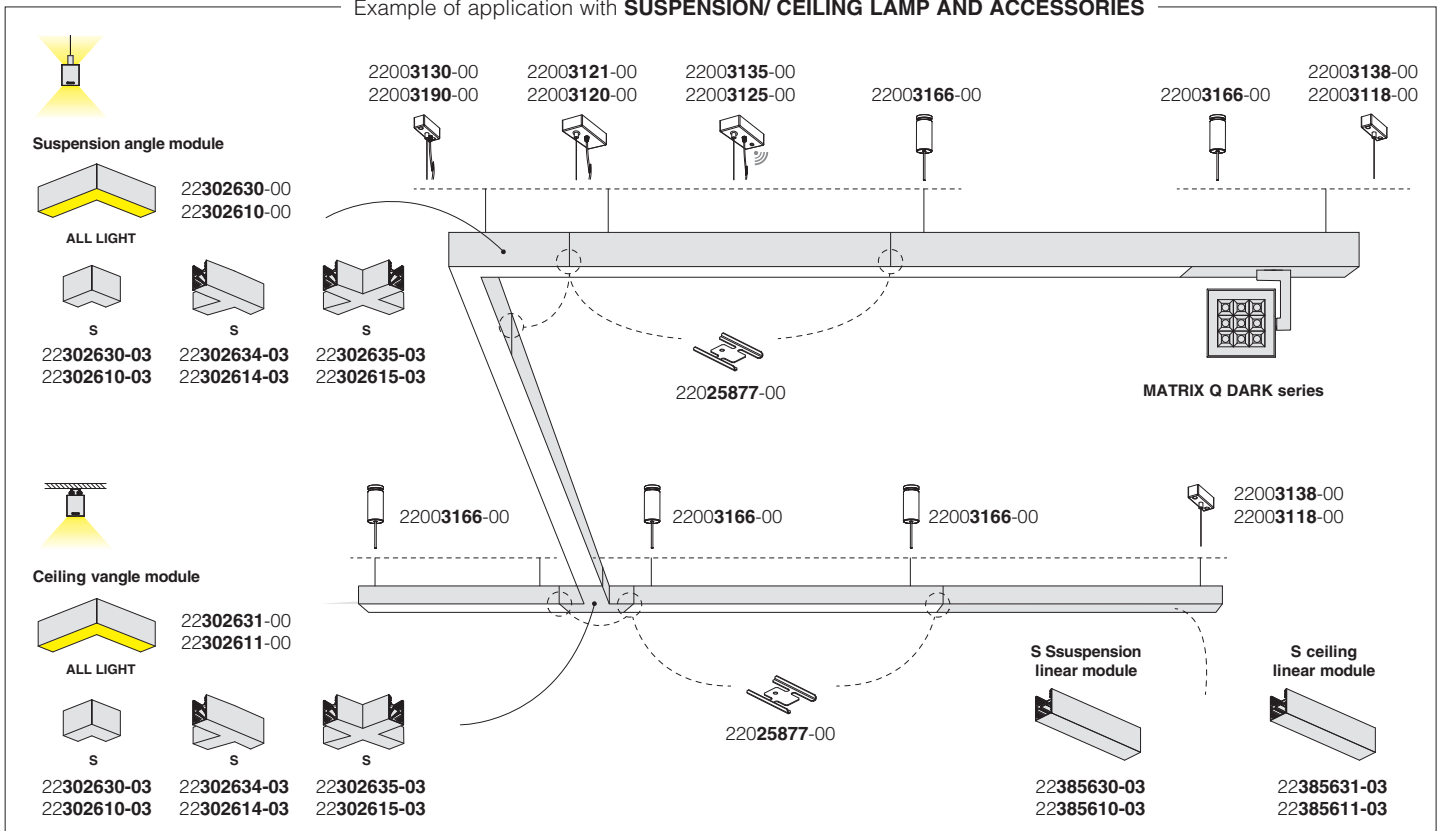


**"Wall-to-ceiling" recessed module "ALL LIGHT" with polycarbonate diffuser**  
black 22302633-00  
white 22302613-00  
14W 4000K - CRI>80  
Wall-to-ceiling recessed module for Liset 2.0 with polycarbonate diffuser. Equipped for continuous line. **Upon request: CRI>90. DIMM DALI** version with subcode -1241. 3000K version with subcode -39. Kg= 1,1.

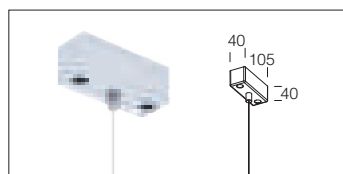
Example of application with **RECESSED LAMP AND ACCESSORIES**



Example of application with **SUSPENSION/ CEILING LAMP AND ACCESSORIES**



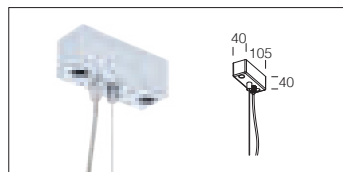
Suspension with wire	
black	22003138-00
white	22003118-00
Complete with steel wire (L = 100cm) and millimetre adjustment device. Max load: 20 kg.	



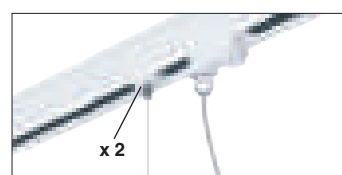
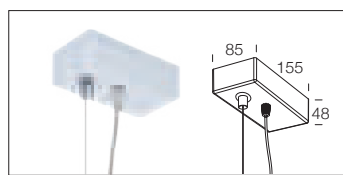
Suspension	
galvanised	22003166-00
Supplied with steel wire (L=1,75m) and millimetre adjustment device. Max load: 20 kg.	



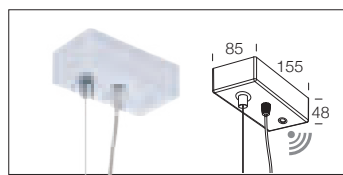
Powered suspension with wire	
black	22003130-00
white	22003190-00
Supplied with steel wire (L = 100cm) and power cord. Max loading: 20Kg.	



5P Powered suspension	
black	22003121-00
white	22003120-00
Supplied with steel wire (L = 100cm) and power cord. Max loading: 20Kg. For electric gear in EM and DIMM DALI versions.	



5P WIRELESS Powered suspension	
black	22003135-00
white	22003125-00
Supplied with steel wire (L = 100cm) and power cord. Max loading: 20Kg. For the WIRELESS management of DIMM DALI versions (Out DALI : Max 7mA).	



Suspension attachment for track	
black	22091432-00
white	22091412-00
Supplied with steel wire, mechanical adapter (2 per pack), power adapter with power cord.	



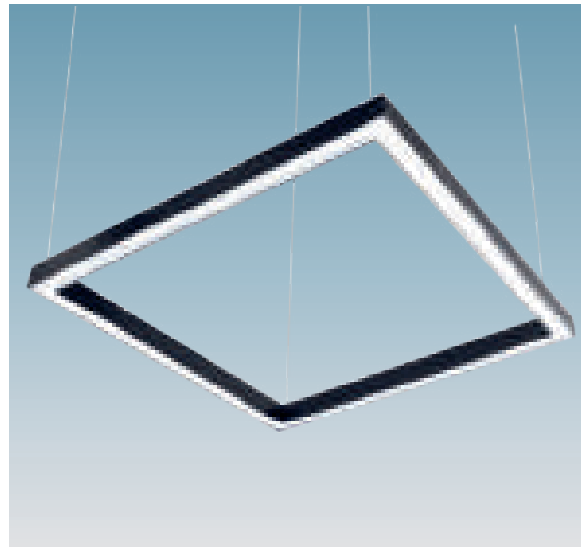
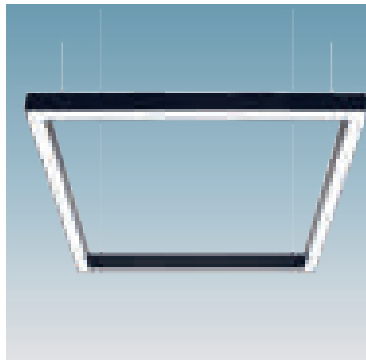
Lighting of excellence for stylish interiors.

The product's mounting freedom offers the possibility to create elegant and sophisticated lighting atmospheres.

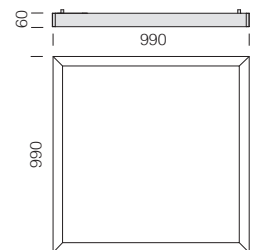
The clean-cut geometry of Liset 2.0 blends seamlessly into any modern, refined setting.

Carefree Design!





IP40 IK07

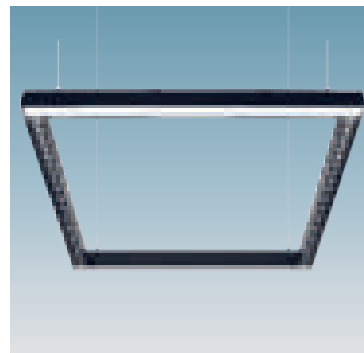
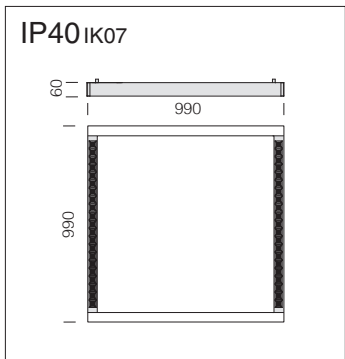


Diffuser: in polycarbonate.

LED: luminous flux maintenance 80%: 50.000h (L80B20).  
Power factor  $\geq 0.92$ .

Liset 2.0 "SQ" - 4D - "ALL LIGHT"						
		CLD			LUMEN OUTPUT (tq= 25 °C)	
LED	housing	L (mm)	weight	code	W tot	K - ølm - CRI
LED	white	990	8,50	22302710-00	46	4000K - 4750lm - CRI>80
	black			22302730-00		
LED	white	990	8,50	22302710-39	46	3000K - 4420lm - CRI>80
	black			22302730-39		

Complete with millimetre adjustment device; suspensions o be purchased separately (see accessories page).



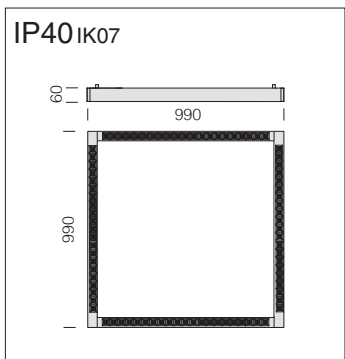
**Diffuser:** in polycarbonate.

**Comfort optics:** in black anti-glare polycarbonate for improved visual comfort (the white and DARK metallized colour version are available upon request).

**LED:** luminous flux maintenance 80%: 50.000h (L80B20). Power factor  $\geq 0.92$ .

Liset 2.0 "SQ" - 2D+2M						
		CLD			LUMEN OUTPUT (tq= 25 °C)	
LED	housing	L (mm)	weight	code	W tot	K - ølm - CRI
LED	white	990	10,00	22302810-00	51	4000K - 5320lm - CRI>80
	black			22302830-00		
LED	white		10,00	22302810-39	51	3000K - 4948lm - CRI>80
	black			22302830-39		

Complete with millimetre adjustment device; suspensions o be purchased separately (see accessories page).

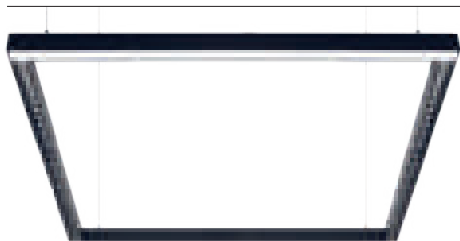


**Comfort optics:** in black anti-glare polycarbonate for improved visual comfort (the white and DARK metallized colour version are available upon request).

**LED:** luminous flux maintenance 80%: 50.000h (L80B20). Power factor  $\geq 0.92$ .

Liset 2.0 "SQ" - 4M						
		CLD			LUMEN OUTPUT (tq= 25 °C)	
LED	housing	L (mm)	weight	code	W tot	K - ølm - CRI
LED	white	990	11,50	22302910-00	55	4000K - 6320lm - CRI>80
	black			22302930-00		
LED	white		11,50	22302910-39	55	3000K - 5878lm - CRI>80
	black			22302930-39		

Complete with millimetre adjustment device; suspensions o be purchased separately (see accessories page).

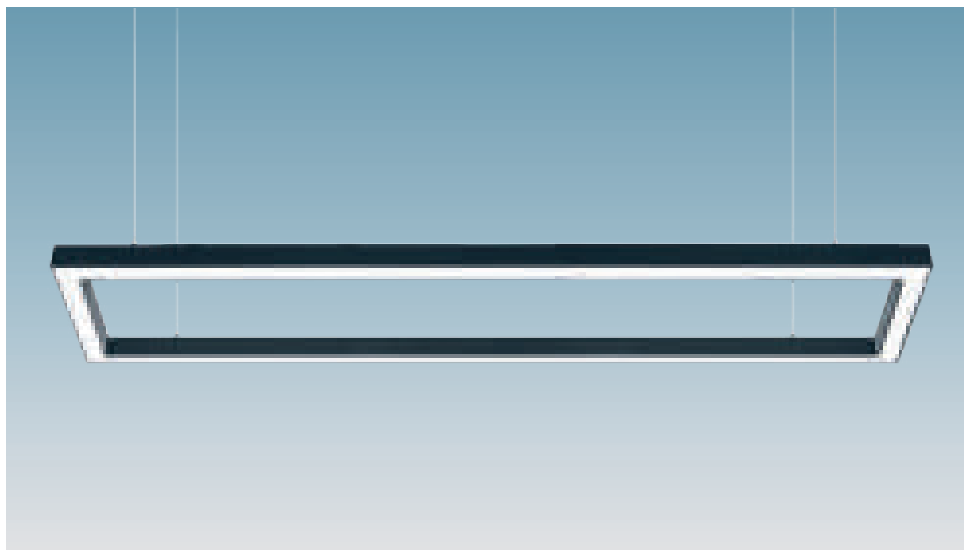


Other size Upon request

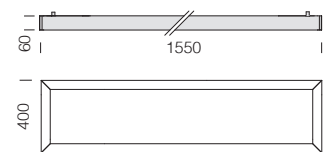
**Upon request:**

- DIMM-DALI version with sub-code **-1241** (4000K) or **-3941** (3000K).
- PUSH-DIMM version with sub-code **-1245** (4000K) or **-3945** (3000K)
- 1h EM version with subcode **-09** (4000K) or **-0928** (3000K)
- 3h EM version with subcode **-31** (4000K) or **-3957** (3000K)

The product offers the possibility to choose the correct drive current for LEDs and have the right power and the luminous flux under specific design conditions.



IP40 IK07



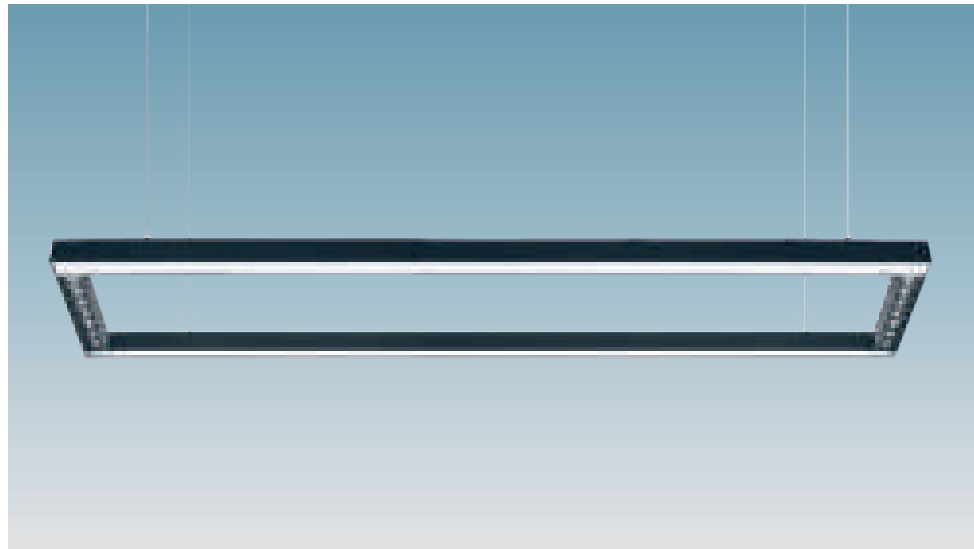
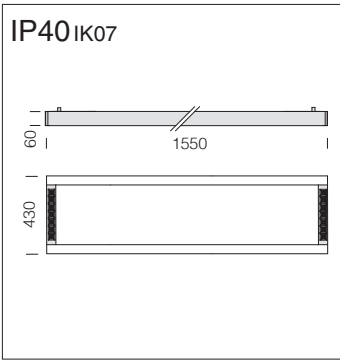
Diffuser: in polycarbonate.

LED: luminous flux maintenance 80%: 50.000h (L80B20). Power factor  $\geq 0.92$ .

Liset 2.0 "RT" - 4D - "ALL LIGHT"							
		CLD			LUMEN OUTPUT (tq= 25 °C)		
LED	housing	L (mm)	weight	code	W tot	K - ølm - CRI	
LED	white	1550	8.50	22305010-00	45	4000K - 4750lm - CRI>80	
	black			22305030-00			
LED	white		8.50	8.50	22305010-39	45	3000K - 4420lm - CRI>80
	black				22305030-39		

Complete with millimetre adjustment device; suspensions o be purchased separately (see accessories page).

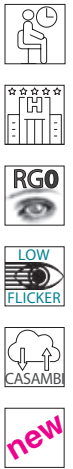




**Diffuser:** in polycarbonate.

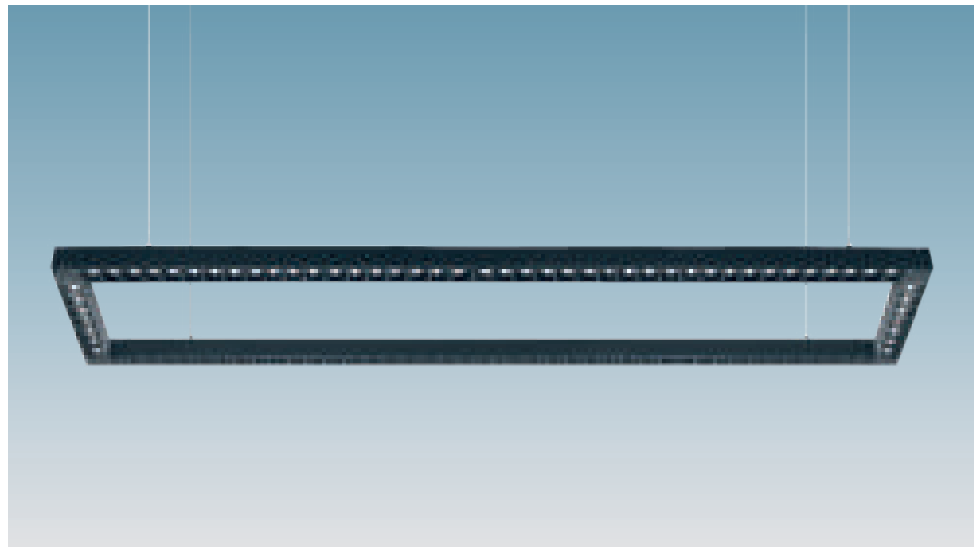
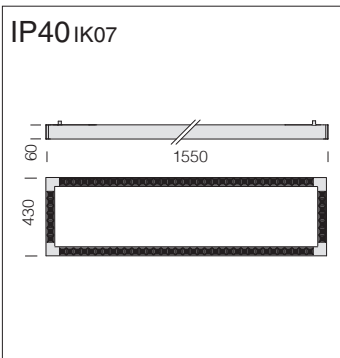
**Comfort optics:** in black anti-glare polycarbonate for improved visual comfort (the white and DARK metallized colour version are available upon request).

**LED:** luminous flux maintenance 80%: 50.000h (L80B20). Power factor  $\geq 0.92$ .



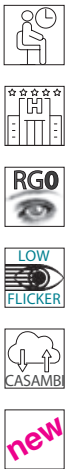
Liset 2.0 "RT" - 2M+2D						
		CLD			LUMEN OUTPUT (tq= 25 °C)	
LED	housing	L (mm)	weight	code	W tot	K - ølm - CRI
LED	white	1550	9,50	22305110-00	51	4000K - 5185lm - CRI>80
	black			22305130-00		
LED	white		9,50	22305110-39	51	3000K - 4822lm - CRI>80
	black			22305130-39		

Complete with millimetre adjustment device; suspensions o be purchased separately (see accessories page).



**Comfort optics:** in black anti-glare polycarbonate for improved visual comfort (the white and DARK metallized colour version are available upon request).

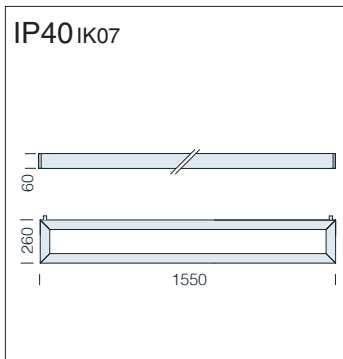
**LED:** luminous flux maintenance 80%: 50.000h (L80B20). Power factor  $\geq 0.92$ .



Liset 2.0 "RT" - 4M						
		CLD			LUMEN OUTPUT (tq= 25 °C)	
LED	housing	L (mm)	weight	code	W tot	K - ølm - CRI
LED	white	1550	10,50	22305210-00	48	4000K - 6385lm - CRI>80
	black			22305230-00		
LED	white		10,50	22305210-39	48	3000K - 5938lm - CRI>80
	black			22305230-39		

Complete with millimetre adjustment device; suspensions o be purchased separately (see accessories page).

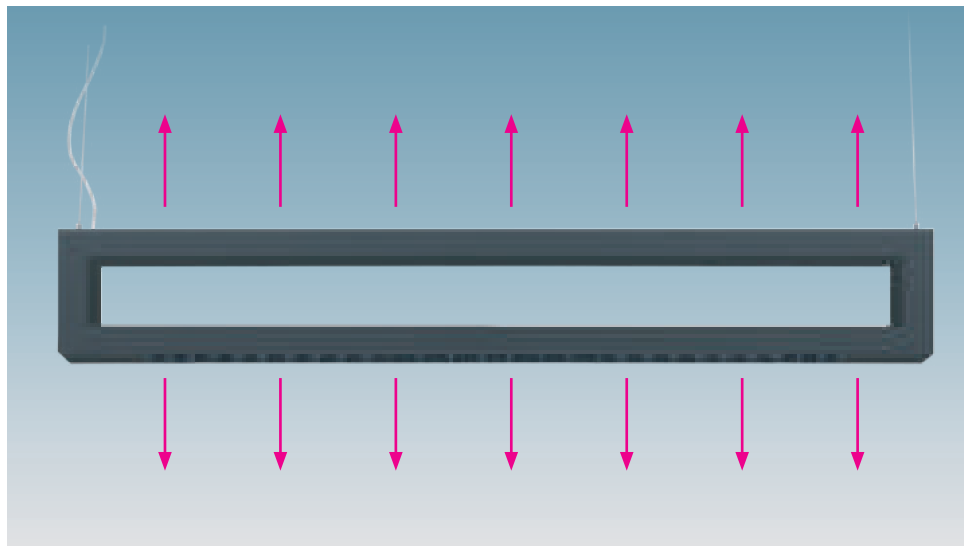




**Diffuser:** in polycarbonate.

**Comfort optics:** in black/white anti-glare polycarbonate for improved visual comfort (DARK metallized colour version are available upon request).

**LED:** luminous flux maintenance 80%: 50.000h (L80B20). Power factor  $\geq 0.92$ .



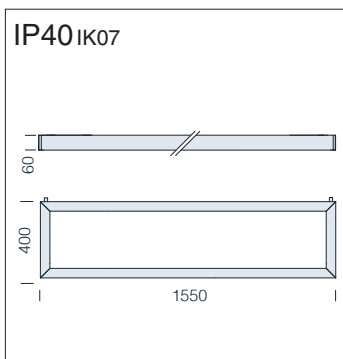
**Liset 2.0 "light blade small" - comfort optics direct light + polycarbonate diffuser indirect light**

LED		CLD		LUMEN OUTPUT (tq= 25 °C)		
housing	L (mm)	weight	code	W tot	K - ølm - CRI	
LED	white	1550	8.00	22307010-00	36	4000K - 4515lm - CRI>80
	black			22307030-00		
LED	white	1550	8.00	22307010-39	36	3000K - 4199lm - CRI>80
	black			22307030-39		

Complete with millimetre adjustment device; suspensions o be purchased separately (see accessories page).

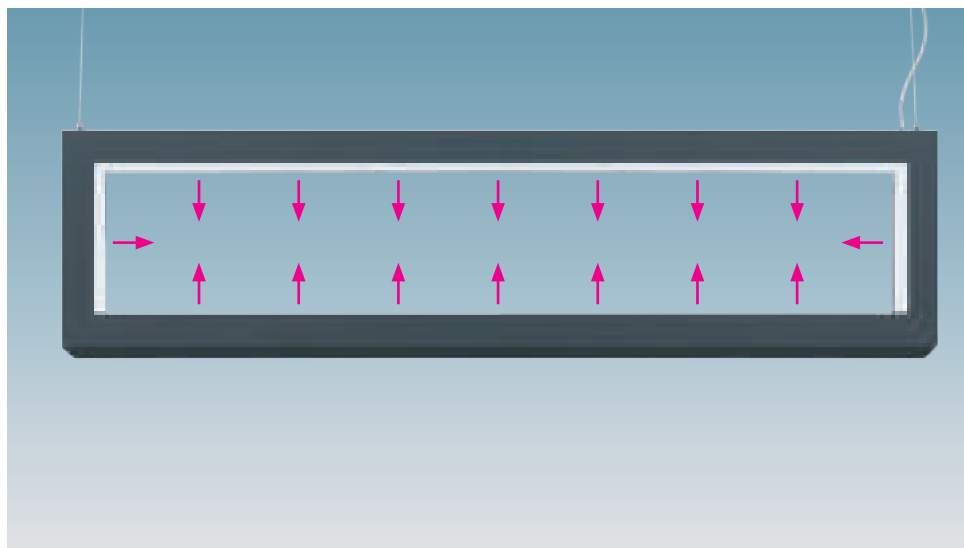


SYSTEMS



**Diffuser:** in polycarbonate.

**LED:** luminous flux maintenance 80%: 50.000h (L80B20). Power factor  $\geq 0.92$ .



**Liset 2.0 "light blade medium" - interior light with opal diffuser**

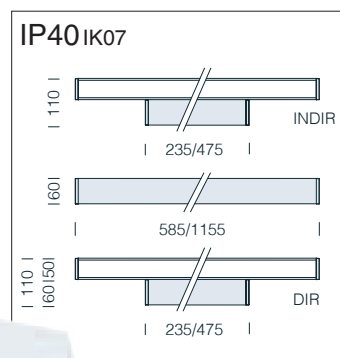
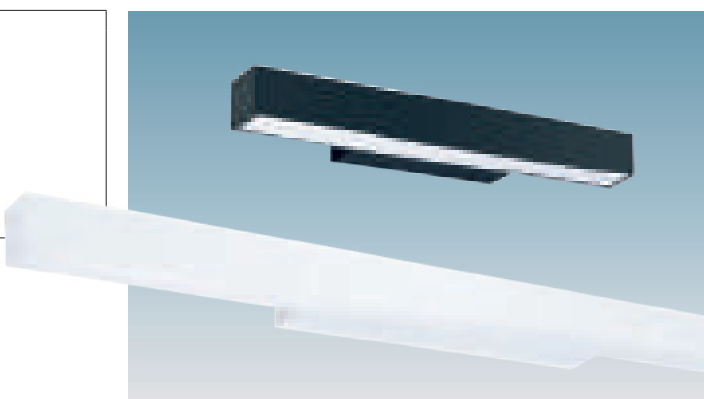
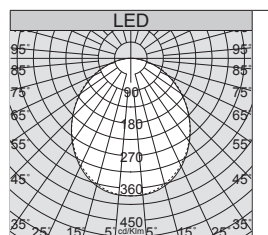
LED		CLD		LUMEN OUTPUT (tq= 25 °C)		
housing	L (mm)	weight	code	W tot	K - ølm - CRI	
LED	white	1550	8.50	22307110-00	42	4000K - 4171lm - CRI>80
	black			22307130-00		
LED	white	1550	8.50	22307110-39	42	3000K - 3880lm - CRI>80
	black			22307130-39		

Complete with millimetre adjustment device; suspensions o be purchased separately (see accessories page).





- 
- 
- 
- 
- 



**Liset 2.0 - wall - with polycarbonate diffuser - direct light**

		CLD		LUMEN OUTPUT (tq= 25 °C)		
LED	housing	L (mm)	weight	code	W tot	K - ølm - CRI
<b>LED 2 modules</b>	white	585	1.20	22303510-00	<b>14</b>	4000K - 1265lm - CRI>80
	black			22303530-00		
<b>LED 2 modules</b>	white	585	1.20	22303510-39	<b>14</b>	3000K - 1202lm - CRI>80
	black			22303530-39		
<b>LED 4 modules</b>	white	1155	3.00	22303511-00	<b>28</b>	4000K - 2530lm - CRI>80
	black			22303531-00		
<b>LED 4 modules</b>	white	1155	3.00	22303511-39	<b>28</b>	3000K - 2404lm - CRI>80
	black			22303531-39		

**Liset 2.0 - wall - with polycarbonate diffuser - direct/indirect light**

		CLD		LUMEN OUTPUT (tq= 25 °C)		
LED	housing	L (mm)	weight	code	W tot	K - ølm - CRI
<b>LED 2+2 modules</b>	white	585	1.50	22303610-00	<b>28</b>	4000K - 2530lm - CRI>80
	black			22303630-00		
<b>LED 2+2 modules</b>	white	585	1.50	22303610-39	<b>28</b>	3000K - 2404lm - CRI>80
	black			22303630-39		
<b>LED 4+3 modules</b>	white	1155	3.20	22303611-00	<b>49</b>	4000K - 4430lm - CRI>80
	black			22303631-00		
<b>LED 4+3 modules</b>	white	1155	3.20	22303611-39	<b>49</b>	3000K - 4158lm - CRI>80
	black			22303631-39		

**Standard:** all 1155 mm versions come with double switch buttons. Complete with mounting brackets for wall mount applications.

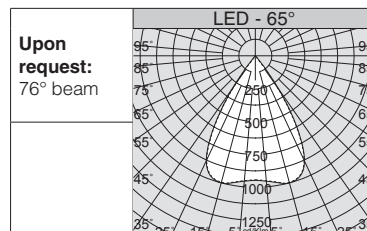
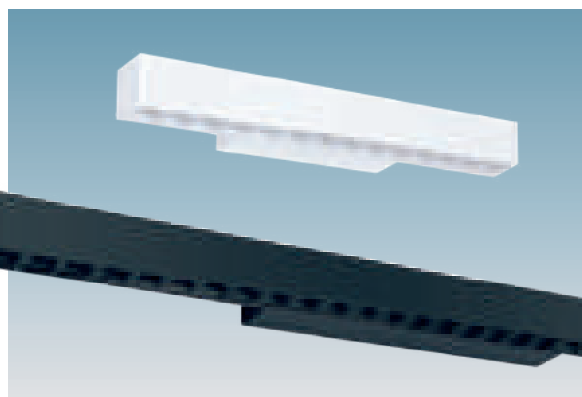
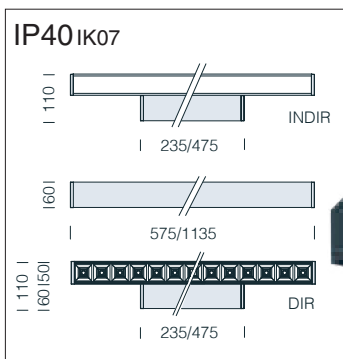
**Diffuser:** in polycarbonate.

**LED:** luminous flux maintenance 80%: 50.000h (L80B20). Power factor ≥0.92.

**Upon request: CRI>90** version (3000K-4000K)

- PUSH-DIMM version with subcode **-1245** (4000K) or **-3945** (3000K)

- 1h EM version with subcode **-09** (4000K) or **-0928** (3000K) - 3h EM version with subcode **-31** (4000K) or **-3957** (3000K)



**Standard:** all 1135 mm versions come with double switch buttons. Complete with mounting brackets for wall mount applications.

**Comfort optics:** in black/white anti-glare polycarbonate for improved visual comfort (DARK metallized colour version are available upon request).

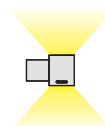
**Diffuser:** in polycarbonate.

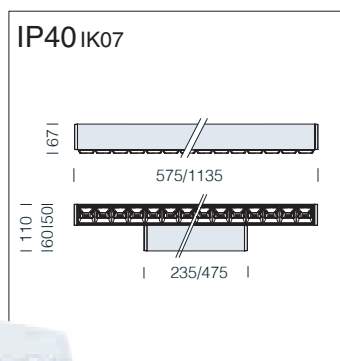
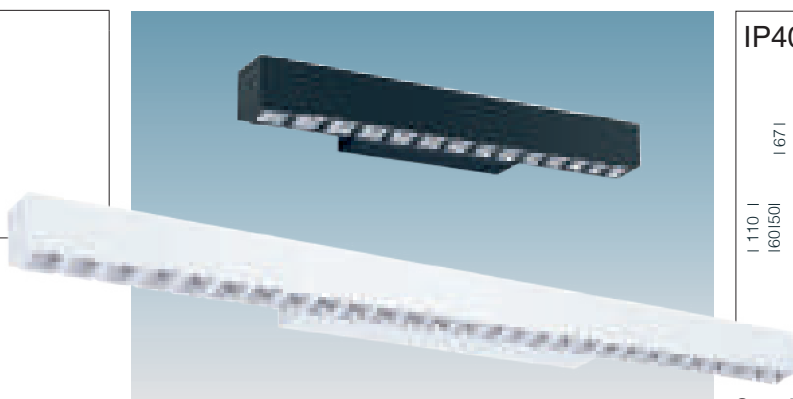
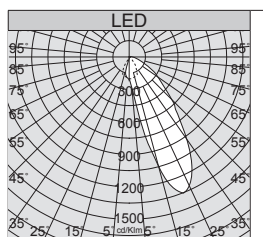
**LED:** luminous flux maintenance 80%: 50.000h (L80B20). Power factor  $\geq 0.92$ .

**Upon request: CRI>90** version (3000K-4000K)  
 • PUSH-DIMM version with sub-code **-1245** (4000K) or **-3945** (3000K)  
 • 1h EM version with subcode **-09** (4000K) or **-0928** (3000K) - 3h EM version with subcode **-31** (4000K) or **-3957** (3000K)

Liset 2.0 - wall - comfort optics direct light						
		CLD			LUMEN OUTPUT (tq= 25 °C)	
LED	housing	L (mm)	weight	code	W tot	K - ølm - CRI - degrees
LED 14 lenses	white	575	2.00	22303710-00	13	4000K - 1926lm - CRI>80 - 65°
	black			22303730-00		
LED 14 lenses	white	575	2.00	22303710-39	13	3000K - 1830lm - CRI>80 - 65°
	black			22303730-39		
LED 28 lenses	white	1135	4.30	22303711-00	22	4000K - 3250lm - CRI>80 - 65°
	black			22303731-00		
LED 28 lenses	white	1135	4.30	22303711-39	22	3000K - 3085lm - CRI>80 - 65°
	black			22303731-39		

Liset 2.0 - wall - comfort optics direct light + polycarbonate diffuser indirect light						
		CLD			LUMEN OUTPUT (tq= 25 °C)	
LED	housing	L (mm)	weight	code	W tot	K - ølm - CRI
LED 14 lenses	white	575	2.10	22303810-00	26	4000K - 2891lm - CRI>80
	black			22303830-00		
LED 14 lenses	white	575	2.10	22303810-39	26	3000K - 2747lm - CRI>80
	black			22303830-39		
LED 28 lenses	white	1135	4.50	22303811-00	43	4000K - 5150lm - CRI>80
	black			22303831-00		
LED 28 lenses	white	1135	4.50	22303811-39	43	3000K - 4890lm - CRI>80
	black			22303831-39		





Liset 2.0 - asymmetric wall - comfort optics - direct light						
		CLD			LUMEN OUTPUT (tq= 25 °C)	
LED	housing	L (mm)	weight	code	W tot	K - ølm - CRI
<b>LED 14 lenses</b>	white	585	2.00	22304910-00	13	4000K - 1670lm - CRI>80
	black			22304930-00		
<b>LED 14 lenses</b>	white	585	2.00	22304910-39	13	3000K - 1560lm - CRI>80
	black			22304930-39		
<b>LED 28 lenses</b>	white	1135	4.30	22304911-00	26	4000K - 3338lm - CRI>80
	black			22304931-00		
<b>LED 28 lenses</b>	white	1135	4.30	22304911-39	26	3000K - 3120lm - CRI>80
	black			22304931-39		

**Standard:** all 1135 mm versions come with double switch buttons. Complete with mounting brackets for wall mount applications.

**Comfort optics:** in metallized anti-glare polycarbonate for improved visual comfort.

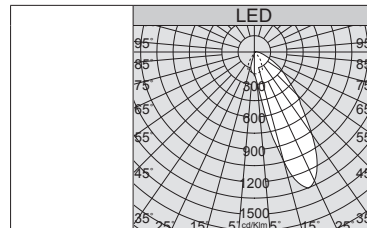
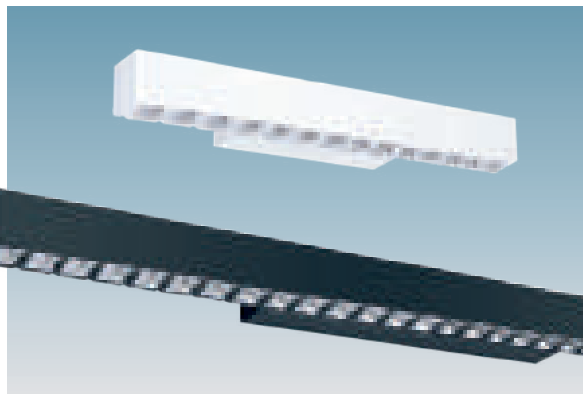
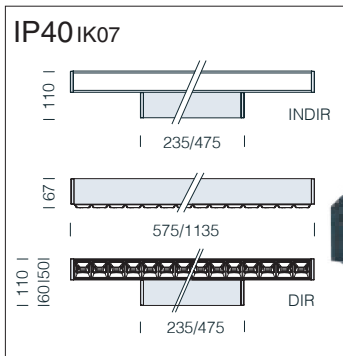
**LED:** luminous flux maintenance 80%: 50.000h (L80B20). Power factor ≥0.92.

**Upon request: CRI>90** version (3000K-4000K)

- PUSH-DIMM version with sub-code **-1245** (4000K) or **-3945** (3000K)
- 1h EM version with subcode **-09** (4000K) or **-0928** (3000K) - 3h EM version with subcode **-31** (4000K) or **-3957** (3000K)



SYSTEMS



**Standard:** all 1135 mm versions come with double switch buttons. Complete with mounting brackets for wall mount applications.

**Comfort optics:** in metallized anti-glare polycarbonate for improved visual comfort..

**Diffuser:** in polycarbonate.

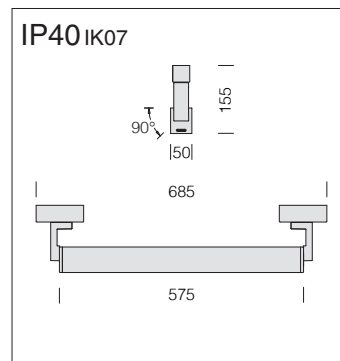
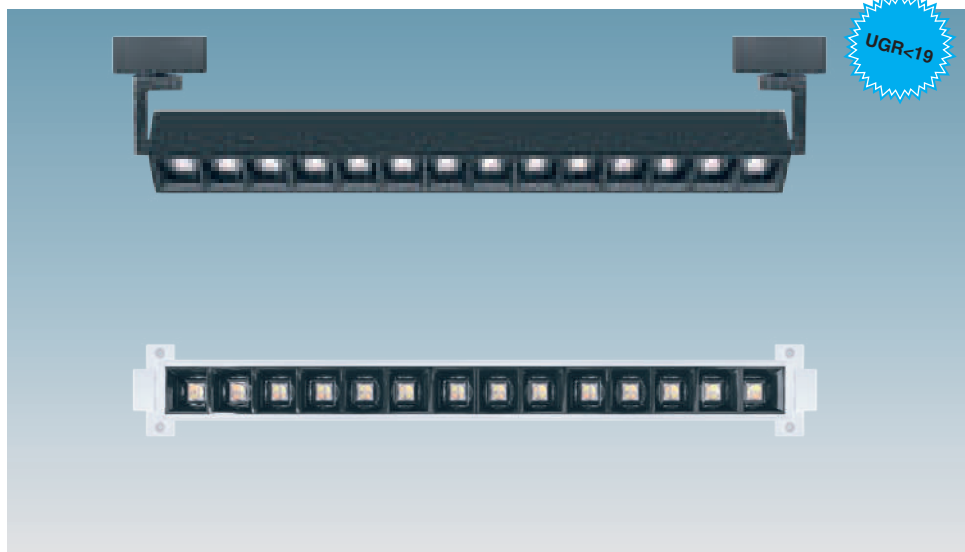
**LED:** luminous flux maintenance 80%: 50.000h (L80B20). Power factor  $\geq 0.92$ .

**Upon request: CRI>90** version (3000K-4000K)

- PUSH-DIMM version with sub-code **-1245** (4000K) or **-3945** (3000K)
- 1h EM version with subcode **-09** (4000K) or **-0928** (3000K) - 3h EM version with subcode **-31** (4000K) or **-3957** (3000K)

Liset 2.0 - asymmetric wall - comfort optics dir. light + polycarbonate diffuser ind. light						
		CLD			LUMEN OUTPUT (tq= 25 °C)	
LED	housing	L (mm)	weight	code	W tot	K - ølm - CRI
LED 14 lenses	white	575	2.10	22304810-00	26	4000K - 2710lm - CRI>80
	black			22304830-00		
LED 14 lenses	white	575	2.10	22304810-39	26	3000K - 2540lm - CRI>80
	black			22304830-39		
LED 28 lenses	white	1135	4.50	22304811-00	47	4000K - 5238lm - CRI>80
	black			22304831-00		
LED 28 lenses	white	1135	4.50	22304811-39	47	3000K - 4925lm - CRI>80
	black			22304831-39		





**Comfort optics:** in black anti-glare polycarbonate for improved visual comfort (the white and DARK metallized colour version are available upon request).

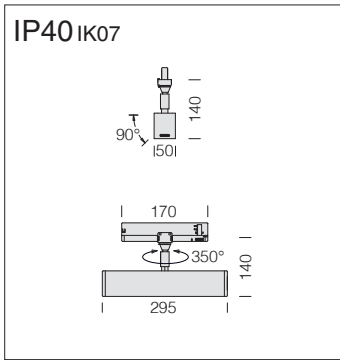
**LED:** luminous flux maintenance 80%: 50.000h (L80B20). Power factor ≥0.92.

Liset 2.0 - OR3 - adjustable on ceiling/wall - comfort optics - UGR<19						
		CLD			LUMEN OUTPUT (tq= 25 °C)	
LED	housing	L (mm)	weight	code	W tot	K - ølm - CRI - degrees
<b>LED 14 lenses</b>	white	575	2,10	22304110-00	<b>18</b>	4000K - 2486lm - CRI>80 - 65°
	black			22304130-00		
<b>LED 14 lenses</b>	white	575	2,10	22304110-39	<b>18</b>	3000K - 2405lm - CRI>80 - 65°
	black			22304130-39		

**Upon request: CRI>90** (3000K-4000K)

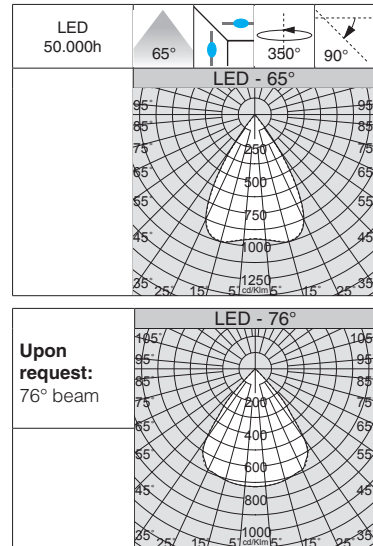
- DIMM-DALI version with sub-code **-1241** (4000K) or **-3941** (3000K)
- PUSH-DIMM version with sub-code **-1245** (4000K) or **-3945** (3000K)
- 76° beam version





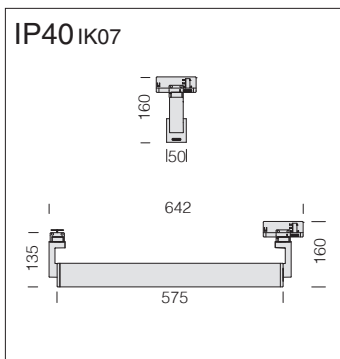
**Comfort optics:** in black anti-glare polycarbonate for improved visual comfort (the white and DARK metallized colour version are available upon request).

**LED:** luminous flux maintenance 80%: 50.000h (L80B20). Power factor  $\geq 0.92$ .



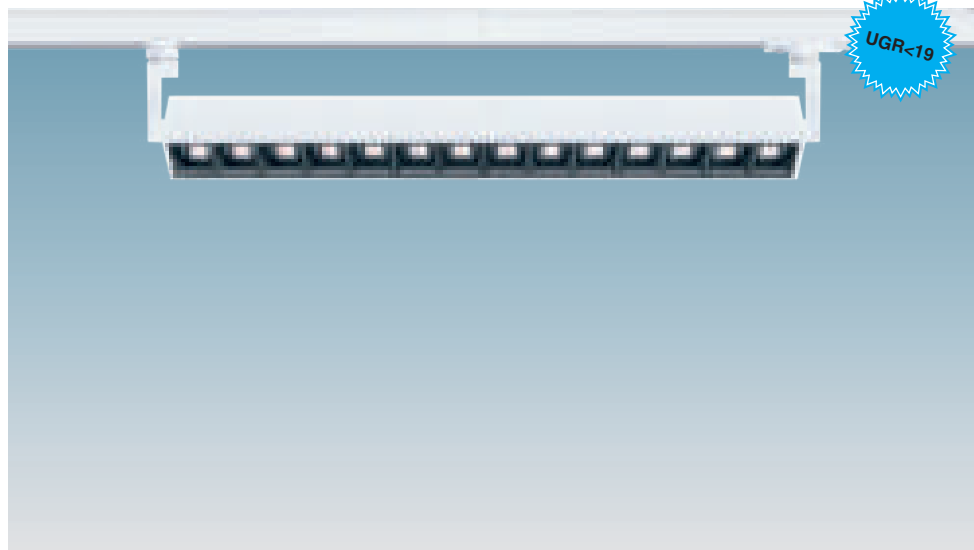
Liset 2.0 - OR1 - adjustable on track - comfort optics - UGR<19						
		CLD			LUMEN OUTPUT (tq= 25 °C)	
LED	housing	L (mm)	weight	code	W tot	K - ølm - CRI - degrees
<b>LED 7 lenses</b>	white	295	1,00	22304010-00	<b>14</b>	4000K - 2125lm - CRI>80 - 65°
	black			22304030-00		
<b>LED 7 lenses</b>	white	295	1,00	22304010-39	<b>14</b>	3000K - 2033lm - CRI>80 - 65°
	black			22304030-39		

**Upon request: CRI>90** (3000K-4000K)  
 • DIMM-DALI version with sub-code **-1241** (4000K) or **-3941** (3000K)



**Comfort optics:** in black anti-glare polycarbonate for improved visual comfort (the white and DARK metallized colour version are available upon request).

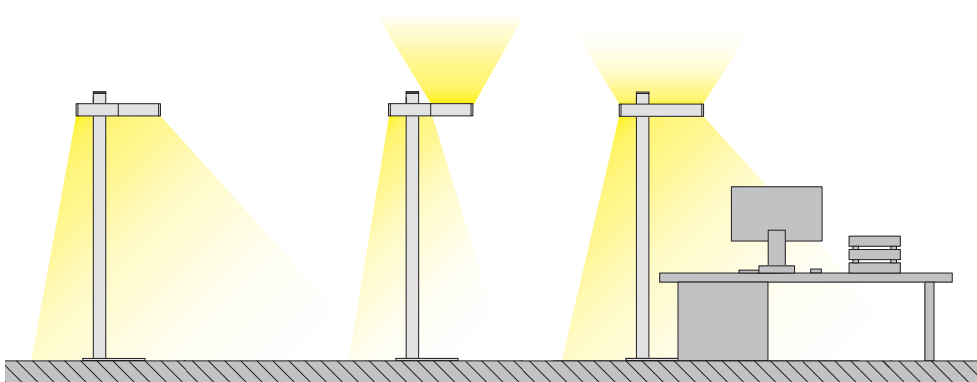
**LED:** luminous flux maintenance 80%: 50.000h (L80B20). Power factor  $\geq 0.92$ .



Liset 2.0 - OR2 - adjustable on track - comfort optics - UGR<19						
		CLD			LUMEN OUTPUT (tq= 25 °C)	
LED	housing	L (mm)	weight	code	W tot	K - ølm - CRI - degrees
<b>LED 14 lenses</b>	white	575	2,50	22304210-00	<b>18</b>	4000K - 2486lm - CRI>80 - 65°
	black			22304230-00		
<b>LED 14 lenses</b>	white	575	2,50	22304210-39	<b>18</b>	3000K - 2405lm - CRI>80 - 65°
	black			22304230-39		

**Upon request: CRI>90** (3000K-4000K)  
 • DIMM-DALI version with sub-code **-1241** (4000K) or **-3941** (3000K)  
 • 76° beam version.



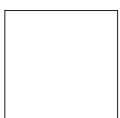


**Liset 2.0 floor lamp** (or upon request in **Tunable White-HCL**, with **CASAMBI** automation lighting control system and **integrated light / presence sensor versions**) is a

small-sized lighting fixture that can create amazing and elegant light effects by correctly managing the luminous intensity of the lights. This version of the standard lamp is particularly versatile thanks to the possibility to choose from different combinations of power and fluxes.



Upon request colours and finishes:



smooth matt  
white



smooth matt  
black



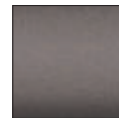
smooth  
anodic ice



smooth  
silver



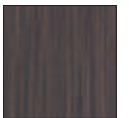
smooth  
golden beach



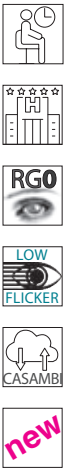
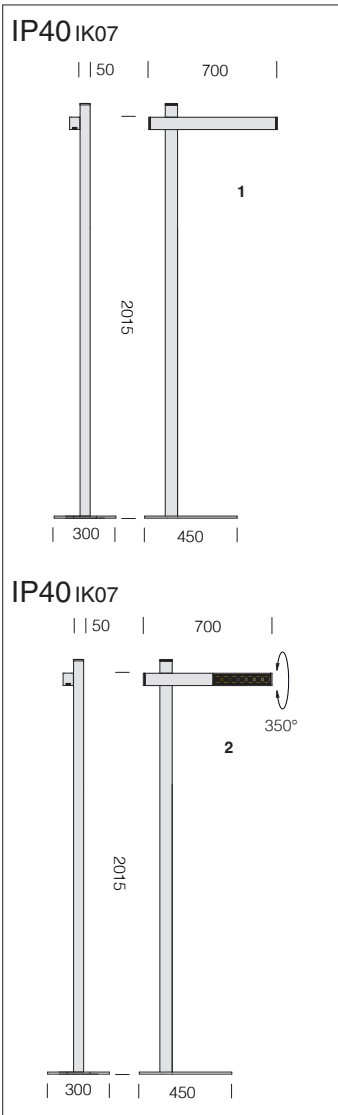
smooth  
bronze



natural light  
wood



natural dark  
wood



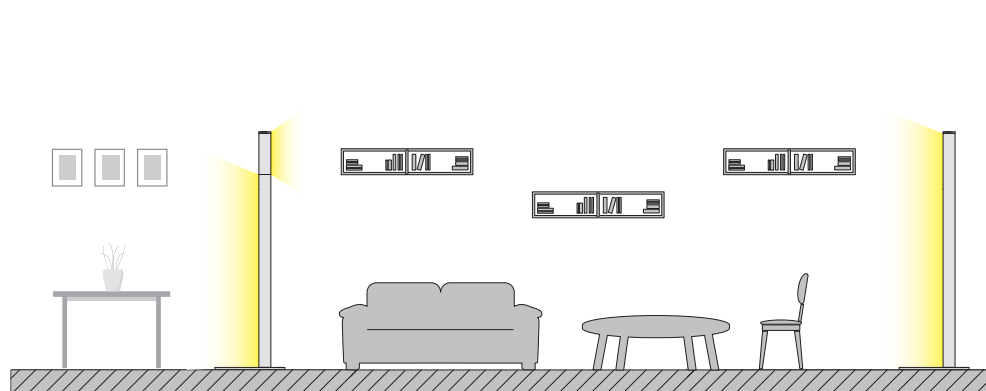
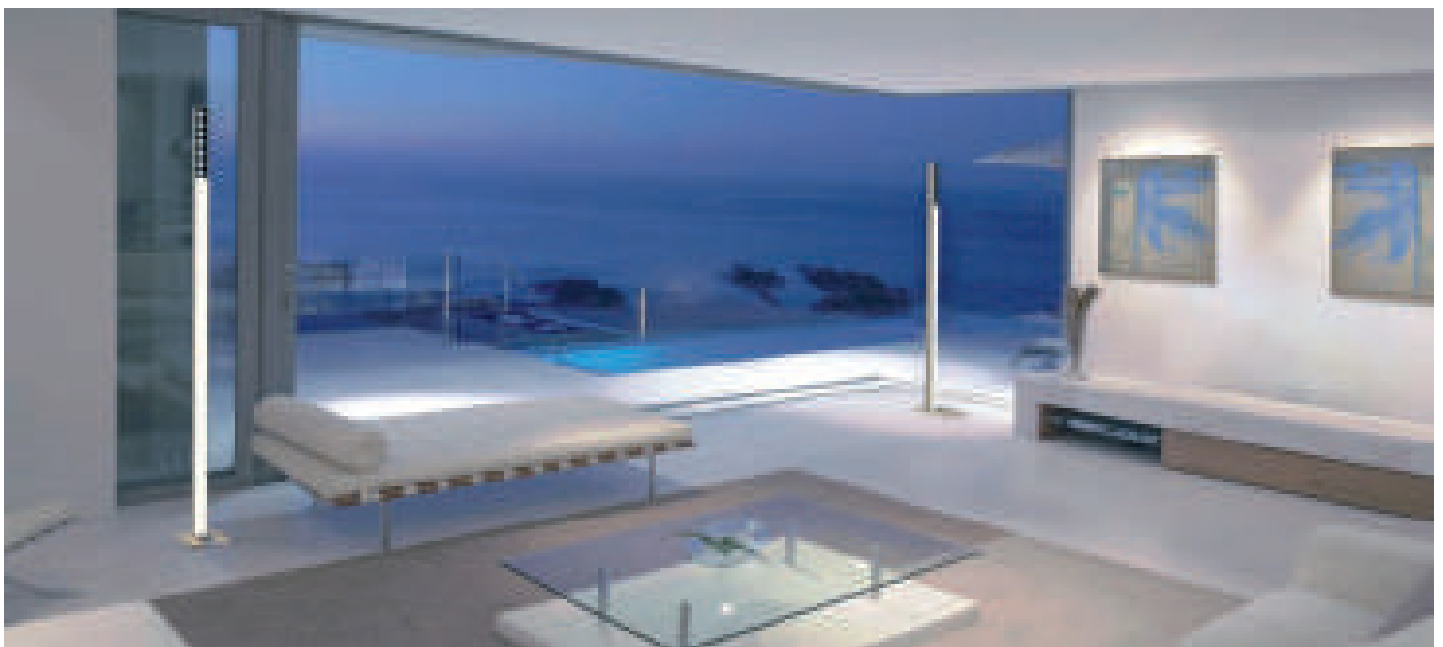
**Diffuser:** in polycarbonate.

**Comfort optics:** in black/white anti-glare polycarbonate for improved visual comfort (DARK metallized colour version are available upon request).

**LED:** luminous flux maintenance 80%: 50.000h (L80B20).  
 Power factor  $\geq 0.92$ .

<b>Liset 2.0 OFFICE 1 - fixed - comfort optics direct light + polycarbonate diffuser indirect light</b>						
LED	housing	L (mm)	weight	CLD code	CLD D-DIG (DALI) code	LUMEN OUTPUT (tq= 25 °C) K - ølm - CRI
<b>LED 14 lenses</b>	white	2015	13,00	22306010-00	22306010-1241	32 4000K - 3990lm - CRI>80
	black			22306030-00	22306030-1241	
<b>LED 14 lenses</b>	white	2015	13,00	22306010-39	22306010-3941	32 3000K - 3711lm - CRI>80
	black			22306030-39	22306030-3941	

<b>Liset 2.0 OFFICE 2 - adjustable - comfort optics</b>						
LED	housing	L (mm)	weight	CLD code	CLD D-DIG (DALI) code	LUMEN OUTPUT (tq= 25 °C) K - ølm - CRI
<b>LED 14 lenses</b>	white	2015	13,00	22306110-00	22306110-1241	18 4000K - 2486lm - CRI>80
	black			22306130-00	22306130-1241	
<b>LED 14 lenses</b>	white	2015	13,00	22306110-39	22306110-3941	18 3000K - 2312lm - CRI>80
	black			22306130-39	22306130-3941	

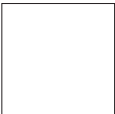



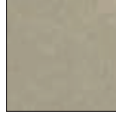
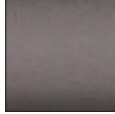

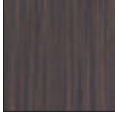


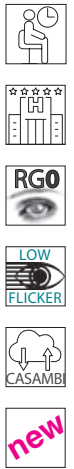
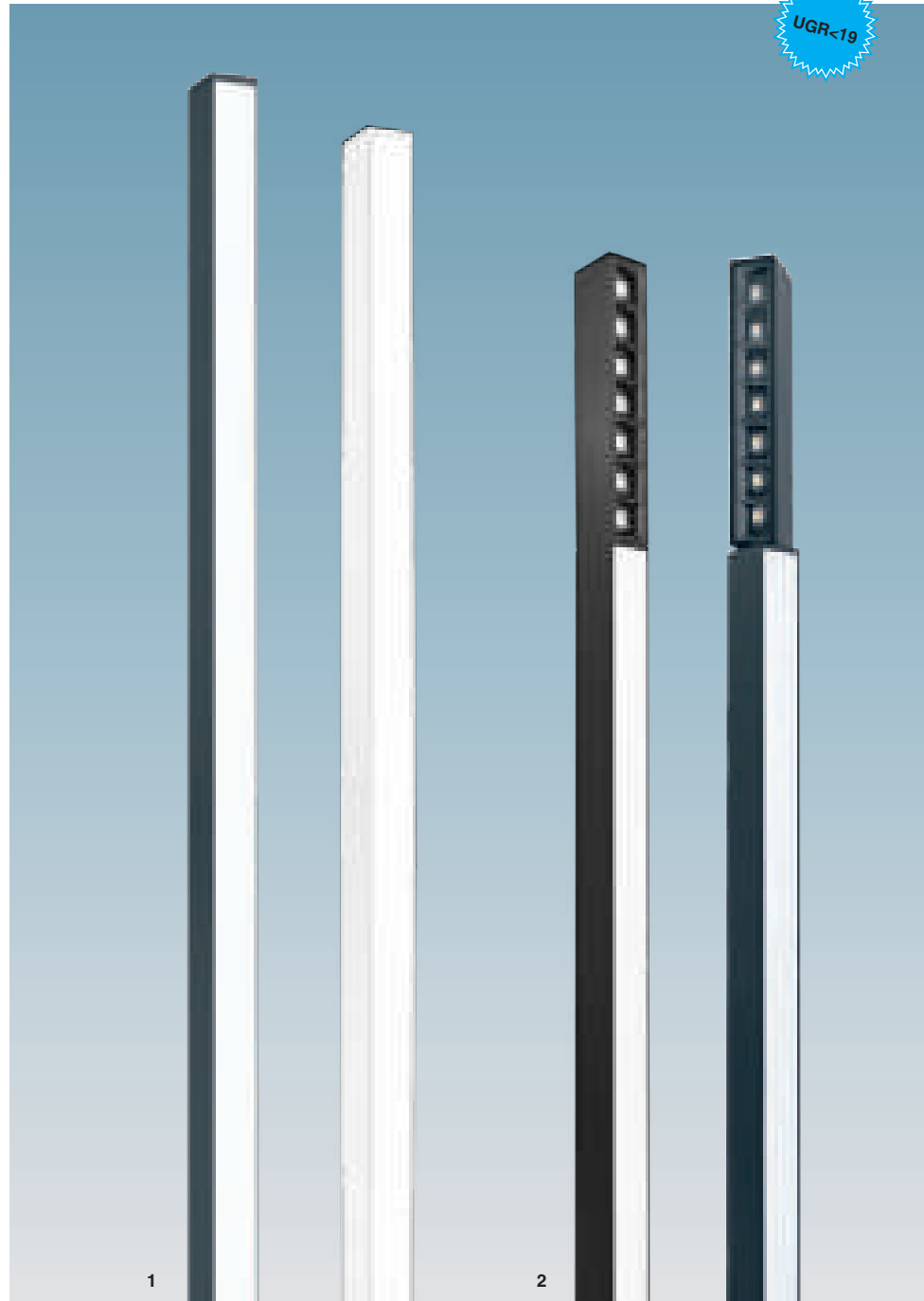
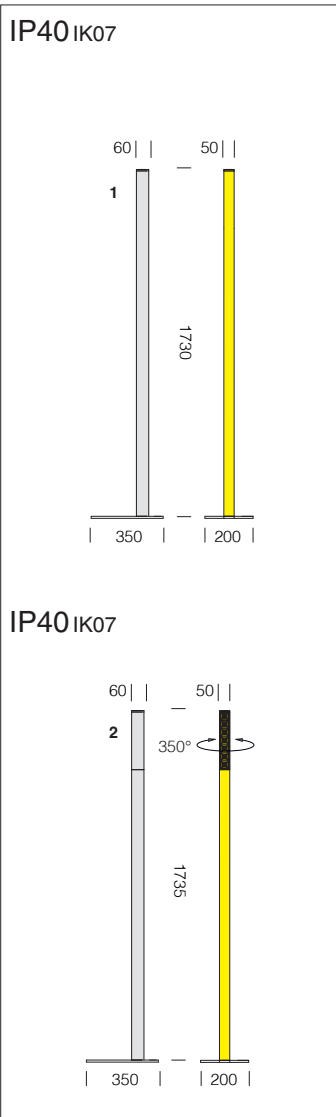
**Liset 2.0 floor lamp** (or upon request in **Tunable White-HCL**, with **CASAMBI** automation lighting control system and **integrated light / presence sensor versions**) is a



small-sized lighting fixture that can create amazing and elegant light effects by correctly managing the luminous intensity of the lights. This version of the standard lamp is particularly versatile thanks to the possibility to choose from different combinations of power and fluxes.

Upon request colours and finishes:

- |   |   |   |   |   |   |   |   |
|---|---|---|---|---|---|---|---|
|  |  |  |  |  |  |  |  |
| smooth matt white   | smooth matt black   | smooth anodic ice   | smooth silver   | smooth golden beach   | smooth bronze   | natural light wood  | natural dark wood   |

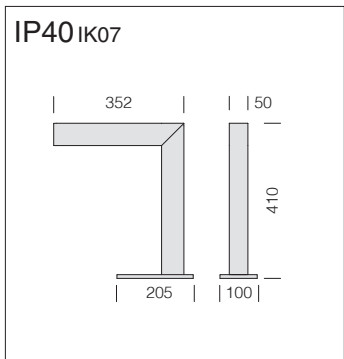


**Diffuser:** in polycarbonate.  
**Comfort optics:** in black/white anti-glare polycarbonate for improved visual comfort (DARK metallized colour version are available upon request).  
**LED:** luminous flux maintenance 80%: 50.000h (L80B20).  
 Power factor  $\geq 0.92$ .

Liset 2.0 HOME 1 - fixed - polycarbonate diffuser							
LED	housing	L (mm)	weight	CLD code	CLD D-DIG (DALI) code	W tot	LUMEN OUTPUT (tq= 25 °C) K - ølm - CRI
LED	white	1730	11.00	22306210-00	22306210-1241	22	4000K - 2088lm - CRI>80
	black			22306230-00	22306230-1241		
LED	white	1730	11.00	22306210-39	22306210-3941	22	3000K - 1943lm - CRI>80
	black			22306230-39	22306230-3941		

Liset 2.0 HOME 2 - adjustable - polycarbonate diffuser and comfort optics							
LED	housing	L (mm)	weight	CLD code	CLD D-DIG (DALI) code	W tot	LUMEN OUTPUT (tq= 25 °C) K - ølm - CRI
LED	white	1735	11.00	22306310-00	22306310-1241	30	4000K - 3136lm - CRI>80
	black			22306330-00	22306330-1241		
LED	white	1735	11.00	22306310-39	22306310-3941	30	3000K - 2916lm - CRI>80
	black			22306330-39	22306330-3941		



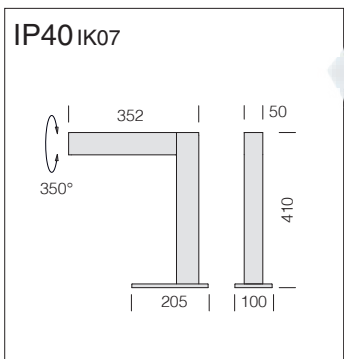


**Diffuser:** in polycarbonate.  
**LED:** luminous flux maintenance 80%: 50.000h (L80B20).  
 Power factor  $\geq 0.92$ .



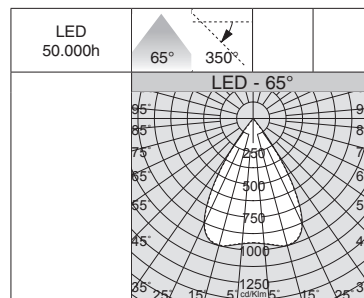
Liset 2.0 tabletop - fixed - opal diffuser					
		CLD		LUMEN OUTPUT (tq= 25 °C)	
LED	housing	weight	code	W tot	K - ølm - CRI
<b>LED</b>	white	2,50	22307210-00	8	4000K - 825lm - CRI>80
	black		22307230-00		
<b>LED</b>	white	2,50	22307210-39	8	3000K - 768lm - CRI>80
	black		22307230-39		

Complete with power cable.



**Comfort optics:** in black/white anti-glare polycarbonate for improved visual comfort (DARK metallized colour version are available upon request).

**LED:** luminous flux maintenance 80%: 50.000h (L80B20).  
 Power factor  $\geq 0.92$ .



Liset 2.0 tabletop - adjustable - comfort optics					
		CLD		LUMEN OUTPUT (tq= 25 °C)	
LED	housing	weight	code	W tot	K - ølm - CRI - degrees
<b>LED 7 lenses</b>	white	2,60	22307310-00	11	4000K - 1554lm - CRI>80
	black		22307330-00		
<b>LED 7 lenses</b>	white	2,60	22307310-39	11	3000K - 1445lm - CRI>80
	black		22307330-39		

Complete with power cable.



The system's main feature is the possibility to integrate a wide selection of **additional recessed, ceiling and spotlights from the Matrix Q series**. Thanks to the different combinations of power, lumen, light beams and aesthetic finishes, Liset 2.0 System can perfectly fit into any architectural structure, enhancing both the showroom space and the items on display.

The system is made up of individual modules that can be **installed into ceilings or recessed mounting in plasterboard false ceilings** thanks to their remarkably small dimensions, allowing them to fit perfectly into any space. These modules are characterised by high-definition optics in thermally conductive plastic with metallic finish, combined with a special diffuser to optimise the luminous output and significantly reduce direct glare.

**LED:** luminous flux maintenance 80%: 50.000h (L80B20). Power factor:  $\geq 0,92$ .  
Photobiological safety class: exempt group.





The right lighting and fixture play a vital role in facilitating sales. This is the reason why LED fixtures with a **CRI>90** are being requested. Therefore, the current trend is geared towards the manufacturing of more flexible fixtures, which also emit an excellent quality of light, while guaranteeing remarkable energy savings and lower maintenance costs. The Colour Rendering Index (**CRI**) indicates how truthfully the artificial light source is able to reproduce the colours of objects. It varies from a range of **0 to 100**, where **0 represents the minimum** and **100 is the maximum**. Daylight is the best source of light from a physiological point of view because it contains the full colour spectrum. Therefore, a lamp with a high colour rendering index is very important to ensure the wellbeing and comfort of the occupants of a room and it is absolutely necessary in rooms where good visibility is required.

Classification of UGR values by applications		
<b>UGR</b>	≤ 16	Very demanding applications (technical drawings)
	≤ 19	Offices and schools (reading, writing, business meetings, computer work)
	≤ 22	Industrial applications, craftsmen
	> 28	High glare

The **UGR** (unified glare rating) is an international unified measure developed by the CIE (Commission International de l'Eclairage) to assess the direct glare generated by a lighting system. The European standard regulating the lighting of indoor work places (**UNI-EN 12464-1**) recommends a specific UGR value for different applications ranging between **10 and 30**; **the lower the UGR value,**

**the lower the glare.** The exact value of this index differs by project type because it depends on the position of the luminaires, room characteristics (dimensions, reflections) and on the point of observation of viewers.

Separate modules - **RECESSED DOWNLIGHTS**

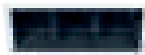
M1



M2



M3



M5



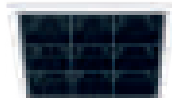
M5x2



M4



M9



M9 Big FS



M9 Big FL



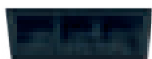
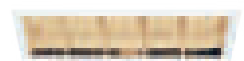
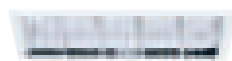
M10



M15



**Upon request:** versions available with different aesthetic finishes ideal to create amazing light effects.

Separate modules - **RECESSED DOWNLIGHTS FOR PLASTERBOARD**

W5x2



W4



W9



W9 Big FS



W9 Big FL



Separate modules - **CEILING SPOTLIGHTS**



**SPOT M1-A**



**SPOT M1-B**



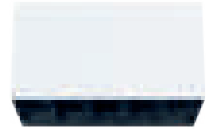
**SPOT M2**



**SPOT M3**



**SPOT M5**

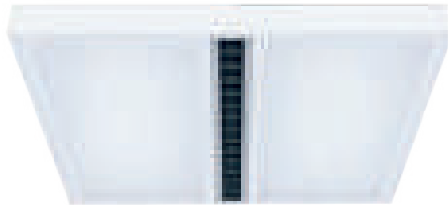


**SPOT MW**

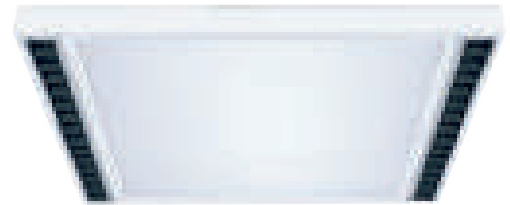


**WALLWASHER**

**SPOT PANEL 1**



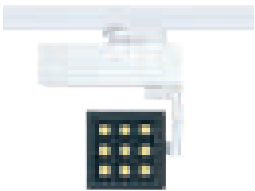
**SPOT PANEL 2**



Separate modules - interior floodlights **MATRIX Q DARK** series

*For further information see chapter*

**MATRIX Q DARK "B"**



**MATRIX Q DARK "A" - "C"**



**MATRIX Q DARK "D"**



**MATRIX Q5 DARK "C"**



**MATRIX Q10 DARK "C"**



**MATRIX Q4 DARK "C"**



**MATRIX Q5 DARK "D"**



**MATRIX Q10 DARK "D"**



**MATRIX Q4 DARK "D"**

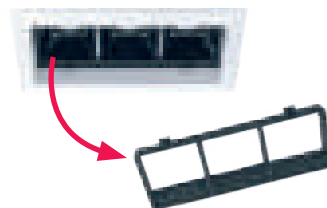


The spotlights of the **Matrix Q series**, with their linear and clean design, as well as different combinations of power, lumen and beam angles are the perfect fit with Liset 2.0. The result is a lighting system that can be incorporated into any architecture, enhancing spaces and highlighting the objects within them.

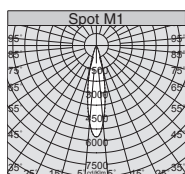


This series of luminaires (M1-M2-M3-M5-M10-M15) allows you to adjust the position of the LED module inside the lamp in two very simple steps:

1) unhook the supplied screen

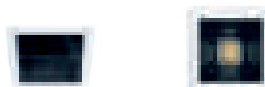


2) push the LED module forward until it hooks onto the border of the luminaire

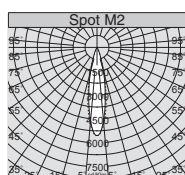
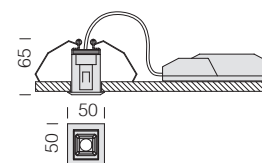


M1 - recessed - UGR<19				
		CLD	W tot	LUMEN OUTPUT (tq= 25 °C)
LED	colour	code		K - ølm - CRI - degrees
1 module	white	22190101-00	4	4000K - 200lm - <b>CRI&gt;90</b> - 20°
		22190101-39		3000K - 186lm - <b>CRI&gt;90</b> - 20°

Upon request: 15° version.



v.a. IP20 IK07   **UGR<19**

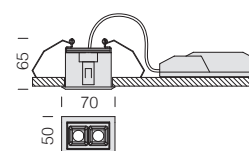


M2 - recessed - UGR<19				
		CLD	W tot	LUMEN OUTPUT (tq= 25 °C)
LED	colour	code		K - ølm - CRI - degrees
2 modules	white	22190102-00	6	4000K - 380lm - <b>CRI&gt;90</b> - 20°
		22190102-39		3000K - 353lm - <b>CRI&gt;90</b> - 20°

Upon request: 15°-30° version.

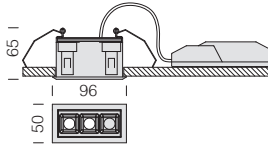


v.a. IP20 IK07   **UGR<19**



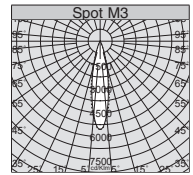
v.a. IP20 IK07  
v.l. IP40 IK07

42 x 88



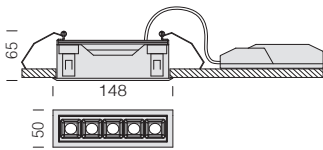
M3 - recessed - UGR<19				
LED		CLD	W tot	LUMEN OUTPUT (tq= 25 °C)
colour	code		K - ølm - CRI - degrees	
3 modules	white	22190103-00	8	4000K - 570lm - CRI>90 - 20°
		22190103-39		3000K - 530lm - CRI>90 - 20°

Upon request: 15°-30° version.



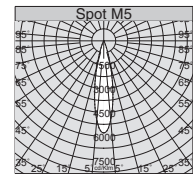
v.a. IP20 IK07  
v.l. IP40 IK07

42 x 148



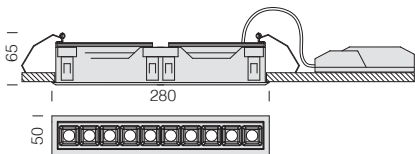
M5 - recessed - UGR<19				
LED		CLD	W tot	LUMEN OUTPUT (tq= 25 °C)
colour	code		K - ølm - CRI - degrees	
5 modules	white	22190105-00	12	4000K - 1034lm - CRI>90 - 20°
		22190105-39		3000K - 962lm - CRI>90 - 20°

Upon request: 15°-30° version.



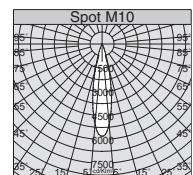
v.a. IP20 IK07  
v.l. IP40 IK07

42 x 274



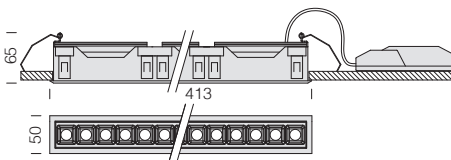
M10 - recessed - UGR<19				
LED		CLD	W tot	LUMEN OUTPUT (tq= 25 °C)
colour	code		K - ølm - CRI - degrees	
10 modules	white	22190110-00	24	4000K - 2038lm - CRI>90 - 20°
		22190110-39		3000K - 1895lm - CRI>90 - 20°

Upon request: 15°-30° version.



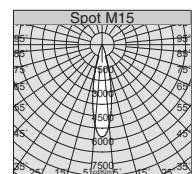
v.a. IP20 IK07  
v.l. IP40 IK07

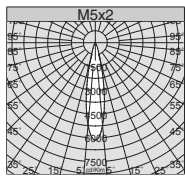
42 x 407



M15 - recessed - UGR<19				
LED		CLD	W tot	LUMEN OUTPUT (tq= 25 °C)
colour	code		K - ølm - CRI - degrees	
15 modules	white	22190115-00	36	4000K - 3058lm - CRI>90 - 20°
		22190115-39		3000K - 2844lm - CRI>90 - 20°

Upon request: 15°-30° version.



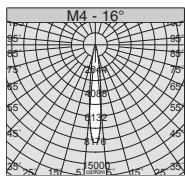
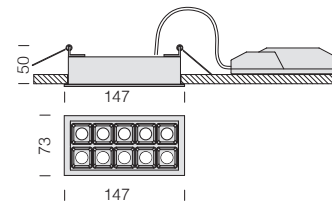


M5x2 - recessed				
		CLD		LUMEN OUTPUT (tq= 25 °C)
LED	colour	code	W tot	K - ølm - CRI - degrees
10 modules	white	22190205-00	23	4000K - 2085lm - <b>CRI&gt;90</b> - 20°
		22190205-39		3000K - 1981lm - <b>CRI&gt;90</b> - 20°

new



v.a. IP20 IK07  
v.l. IP40 IK07  
139 x 65 **UGR<16**

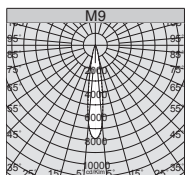
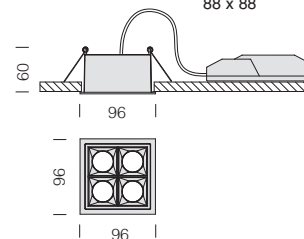


M4 - recessed				
		CLD		LUMEN OUTPUT (tq= 25 °C)
LED	colour	code	W tot	K - ølm - CRI - degrees
4 modules	white	22190114-00	19	4000K - 1424lm - <b>CRI&gt;90</b> - 17°
		22190114-39		3000K - 1353lm - <b>CRI&gt;90</b> - 17°
4 modules	white	22190116-00	19	4000K - 1608lm - <b>CRI&gt;90</b> - 24°
		22190116-39		3000K - 1528lm - <b>CRI&gt;90</b> - 24°
4 modules	white	22190117-00	19	4000K - 1707lm - <b>CRI&gt;90</b> - 38°
		22190117-39		3000K - 1622lm - <b>CRI&gt;90</b> - 38°

new

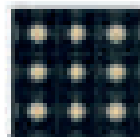
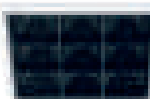


IP40 IK07 **UGR<16**  
88 x 88

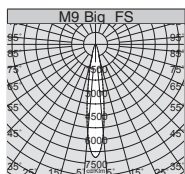
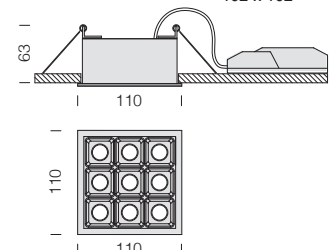


M9 - recessed				
		CLD		LUMEN OUTPUT (tq= 25 °C)
LED	colour	code	W tot	K - ølm - CRI - degrees
9 modules	white	22190108-00	18	4000K - 1502lm - <b>CRI&gt;90</b> - 17°
		22190108-39		3000K - 1427lm - <b>CRI&gt;90</b> - 17°

new



v.a. IP20 IK07  
v.l. IP40 IK07  
102 x 102 **UGR<16**

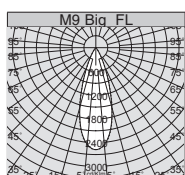
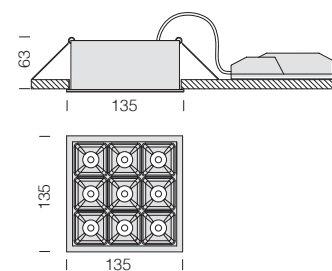


M9 Big FS - recessed				
		CLD		LUMEN OUTPUT (tq= 25 °C)
LED	colour	code	W tot	K - ølm - CRI - degrees
9 modules	white	22190109-22	35	4000K - 2795lm - <b>CRI&gt;90</b> - 17°
		22190109-3931		3000K - 2655lm - <b>CRI&gt;90</b> - 17°

new



v.a. IP20 IK07  
v.l. IP40 IK07  
127 x 127 **UGR<16**

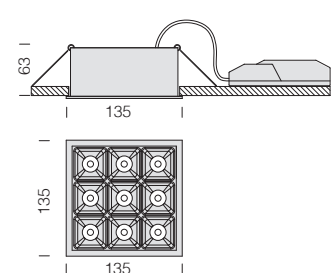


M9 Big FL - recessed				
		CLD		LUMEN OUTPUT (tq= 25 °C)
LED	colour	code	W tot	K - ølm - CRI - degrees
9 modules	white	22190109-29	35	4000K - 3288lm - <b>CRI&gt;90</b> - 34°
		22190109-3932		3000K - 3124lm - <b>CRI&gt;90</b> - 34°

new

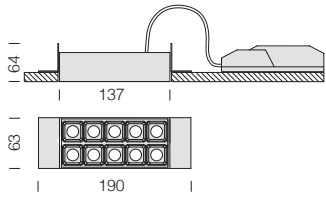


v.a. IP20 IK07  
v.l. IP40 IK07  
127 x 127 **UGR<16**

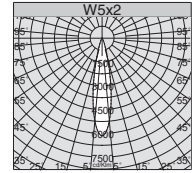


v.a. **IP20 IK07**  
v.l. **IP40 IK07**

138 x 64  
**UGR<16**



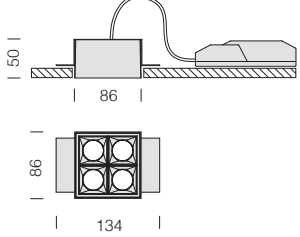
W5x2 - recessed				
		CLD		LUMEN OUTPUT (tq= 25 °C)
LED	colour	code	W tot	K - ølm - CRI - degrees
10 modules	black	22190235-00	23	4000K - 2085lm - <b>CRI&gt;90</b> - 20°
		22190235-39		3000K - 1981lm - <b>CRI&gt;90</b> - 20°



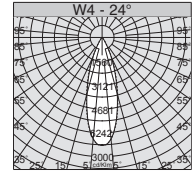
new

**IP40 IK07**

87 x 87  
**UGR<16**



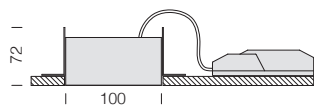
W4 - recessed				
		CLD		LUMEN OUTPUT (tq= 25 °C)
LED	colour	code	W tot	K - ølm - CRI - degrees
4 modules	black	22190214-00	19	4000K - 1424lm - <b>CRI&gt;90</b> - 17°
		22190214-39		3000K - 1353lm - <b>CRI&gt;90</b> - 17°
4 modules	black	22190216-00	19	4000K - 1608lm - <b>CRI&gt;90</b> - 24°
		22190216-39		3000K - 1528lm - <b>CRI&gt;90</b> - 24°
4 modules	black	22190217-00	19	4000K - 1707lm - <b>CRI&gt;90</b> - 38°
		22190217-39		3000K - 1622lm - <b>CRI&gt;90</b> - 38°



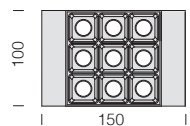
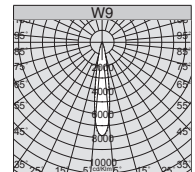
new

v.a. **IP20 IK07**  
v.l. **IP40 IK07**

101 x 101  
**UGR<16**



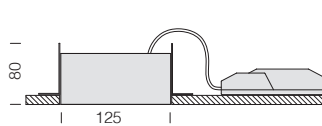
W9 - recessed				
		CLD		LUMEN OUTPUT (tq= 25 °C)
LED	colour	code	W tot	K - ølm - CRI - degrees
9 modules	black	22190139-00	18	4000K - 1502lm - <b>CRI&gt;90</b> - 17°
		22190139-39		3000K - 1427lm - <b>CRI&gt;90</b> - 17°



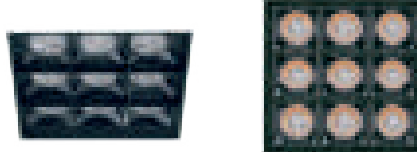
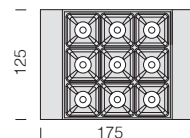
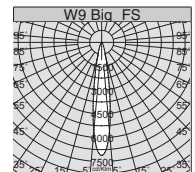
new

v.a. **IP20 IK07**  
v.l. **IP40 IK07**

126 x 126  
**UGR<16**



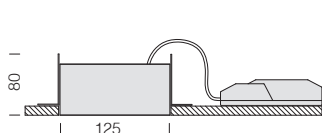
W9 Big FS - recessed				
		CLD		LUMEN OUTPUT (tq= 25 °C)
LED	colour	code	W tot	K - ølm - CRI - degrees
9 modules	black	22190138-22	35	4000K - 2795lm - <b>CRI&gt;90</b> - 17°
		22190138-3931		3000K - 2655lm - <b>CRI&gt;90</b> - 17°



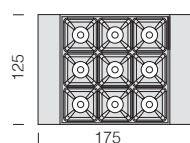
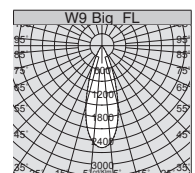
new

v.a. **IP20 IK07**  
v.l. **IP40 IK07**

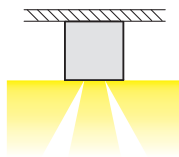
126 x 126  
**UGR<16**



W9 Big FL - recessed				
		CLD		LUMEN OUTPUT (tq= 25 °C)
LED	colour	code	W tot	K - ølm - CRI - degrees
9 modules	black	22190138-29	35	4000K - 3288lm - <b>CRI&gt;90</b> - 34°
		22190138-3932		3000K - 3124lm - <b>CRI&gt;90</b> - 34°



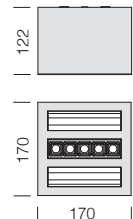
new



The innovative wall washer optic was designed to guarantee uniform lighting of walls, avoiding ant-aesthetic shadow areas. Suited for installation in transit areas or corridors.



IP40 IK07

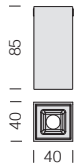


Spot MW - ceiling - UGR<19				
		CLD	LUMEN OUTPUT (tq= 25 °C)	
LED	colour	code	W tot	K - ølm - CRI - degrees
3 modules	black	22520101-00	36	4000K - 2070lm - <b>CRI&gt;90</b> - 15°
		22520101-39		3000K - 1925lm - <b>CRI&gt;90</b> - 15°

Upon request: 30° version. Driver inside.

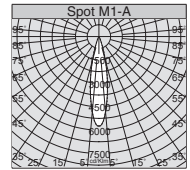


IP40 IK07

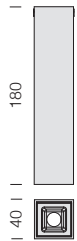


Spot M1-A - ceiling - UGR<19				
		CLD S+L		LUMEN OUTPUT (tq= 25 °C)
LED	colour	code	W tot	K - ølm - CRI - degrees
1 module	white	22510101-00	2	4000K - 200lm - CRI>90 - 20°
		22510101-39		3000K - 186lm - CRI>90 - 20°

Upon request: 15° version. Driver not included, to insert into the ceiling.

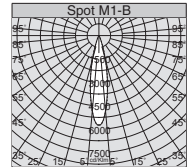


IP40 IK07



Spot M1-B - ceiling - UGR<19				
		CLD S+L		LUMEN OUTPUT (tq= 25 °C)
LED	colour	code	W tot	K - ølm - CRI - degrees
1 module	white	22510104-00	2	4000K - 209lm - CRI>90 - 20°
		22510104-39		3000K - 194lm - CRI>90 - 20°

Upon request: 15°-30° version. Driver not included, to insert into the ceiling.

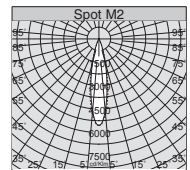


IP40 IK07



Spot M2 - ceiling - UGR<19				
		CLD S+L		LUMEN OUTPUT (tq= 25 °C)
LED	colour	code	W tot	K - ølm - CRI - degrees
2 modules	white	22510102-00	4	4000K - 380lm - CRI>90 - 20°
		22510102-39		3000K - 353lm - CRI>90 - 20°

Upon request: 15°-30° version. Driver not included, to insert into the ceiling.

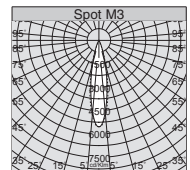


IP40 IK07



Spot M3 - ceiling - UGR<19				
		CLD S+L		LUMEN OUTPUT (tq= 25 °C)
LED	colour	code	W tot	K - ølm - CRI - degrees
3 modules	white	22510103-00	6	4000K - 570lm - CRI>90 - 20°
		22510103-39		3000K - 530lm - CRI>90 - 20°

Upon request: 15°-30° version. Driver not included, to insert into the ceiling.

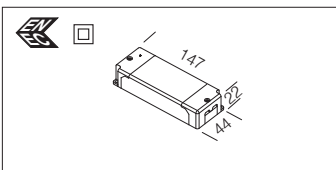
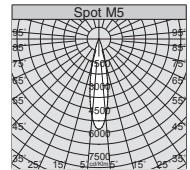


IP40 IK07

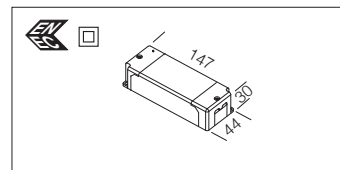


Spot M5 - ceiling - UGR<19				
		CLD S+L		LUMEN OUTPUT (tq= 25 °C)
LED	colour	code	W tot	K - ølm - CRI - degrees
5 modules	white	22510105-00	10	4000K - 940lm - CRI>90 - 20°
		22510105-39		3000K - 874lm - CRI>90 - 20°

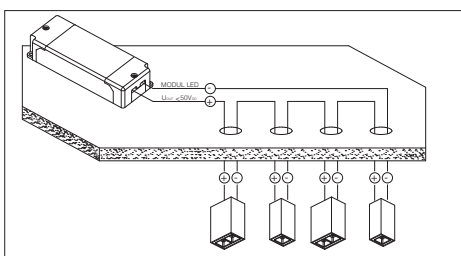
Upon request: 15° version. Driver not included, to insert into the ceiling.



Driver ON-OFF	
white	22090812-00
Min. 2V - Max 44V-30W (700mA).	



Driver DIMM-DALI	
white	22090813-1241
Min. 10V - Max 54V-38W (700mA).	



Spot M1 A - M1 B - M2 - M3 - M5					
Acc.	M1 A	M1 B	M2	M3	M5
22090812-00 ON-OFF 700 mA	Min. 1 Spot Max. 14 Spot	Min. 1 Spot Max. 14 Spot	Min. 1 Spot Max. 7 Spot	Min. 1 Spot Max. 4 Spot	Min. 1 Spot Max. 2 Spot
22090813-1241 DIMM-DALI 700 mA	Min. 4 Spot Max. 18 Spot	Min. 4 Spot Max. 18 Spot	Min. 2 Spot Max. 9 Spot	Min. 2 Spot Max. 6 Spot	Min. 1 Spot Max. 3 Spot



The system is made up of individual spotlights that can be installed into ceilings thanks to their remarkably small dimensions, allowing them to fit perfectly into any space. These modules are characterised by high-definition black comfort optics in polycarbonate, combined with a special diffuser to optimise the luminous output and significantly reduce direct glare.

**Housing:** painted sheet steel.

**Inner slab:** in PMMA.

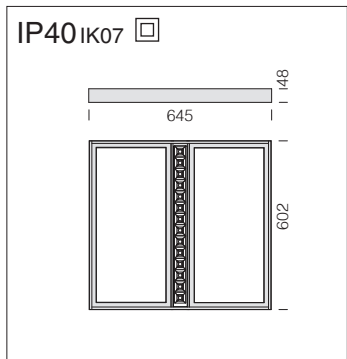
**Comfort optics:** in black anti-glare polycarbonate for improved visual comfort

**Diffuser:** in prismatic engineering plastic with high transmittance.

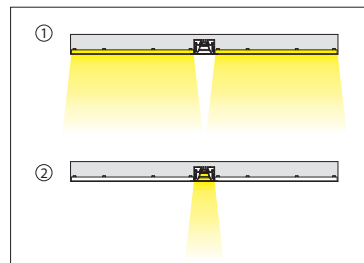
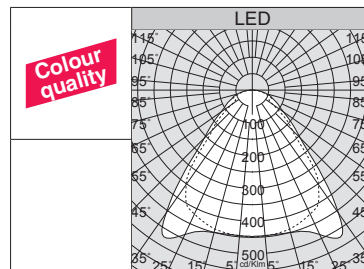
**Standard:** driver inside with separate ON/OFF switch; 78° comfort module.

**Upon request:** 54° version.





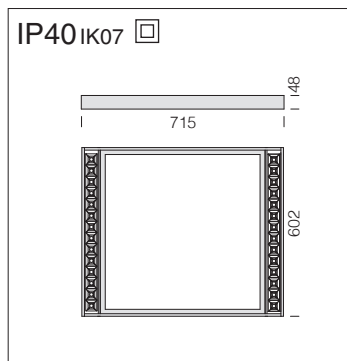
**LED:** luminous flux maintenance 80%: 50.000h (L80B20).  
Power factor ≥0,92.



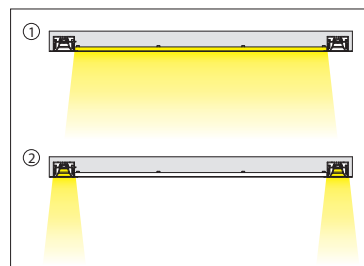
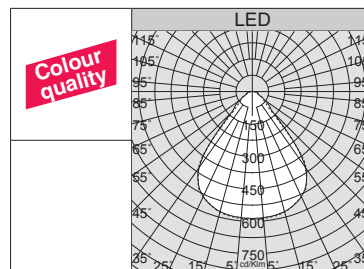
**Spot panel 1 - ceiling - UGR<19**

		CLD (ON-OFF)		CLD D-DIG (DALI)		LUMEN OUTPUT (tq= 25 °C)	
LED	colour	weight	code	code	W tot	K - ølm - CRI	
14 modules	white	7,10	22530101-00	22530101-1241	51	4000K - 4823lm - CRI>90	
			22530101-39	22530101-3941		3000K - 4485lm - CRI>90	

Luminaire made up of two lateral UGR<19 light panels and one comfort optics system with centrally controlled light. Supplied standard with separate switching function.



**LED:** luminous flux maintenance 80%: 50.000h (L80B20).  
Power factor ≥0,92.



**Spot panel 2 - ceiling - UGR<19**

		CLD (ON-OFF)		CLD D-DIG (DALI)		LUMEN OUTPUT (tq= 25 °C)	
LED	colour	weight	code	code	W tot	K - ølm - CRI	
28 modules	white	8,20	22540101-00	22540101-1241	56	4000K - 5846lm - CRI>90	
			22540101-39	22540101-3941		3000K - 5437lm - CRI>90	

Luminaire made up of two lateral comfort optics systems with controlled light and one central UGR<19 panel. Supplied standard with separate switching function.



**Sintesi System** is the new linear lighting system by Fosnova with a sober and elegant design, available in a wide range of optics and LED modules. The system can be easily mounted as a suspension lamp for direct and/or indirect lighting, as a ceiling lamp or in continuous lines, making it the most effective choice for any lighting project and obtain the needed lighting level with an efficient use of energy.

**Housing:** in extruded 6060 aluminium alloy. Removable top cover in extruded 6060 aluminium for electrical connection.

**Closing ends:** V0 ABS plastic injection moulded.

**LED:** luminous flux maintenance 80%: 50.000h (L80B20). Power factor  $\geq 0,92$ .  
Photobiological safety class: Exempt group.

**Upon request:** version with CASAMBI automation lighting control system.  
For further information see chapter *Technical components*.



#### Classification of UGR values by applications

UGR	Classification
≤ 16	Very demanding applications (technical drawings)
≤ 19	Offices and schools (reading, writing, business meetings, computer work)
≤ 22	Industrial applications, craftsmen
> 28	High glare

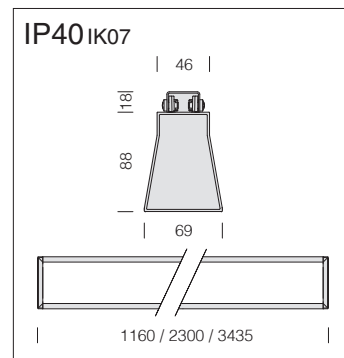
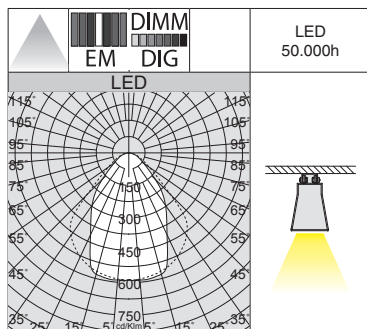
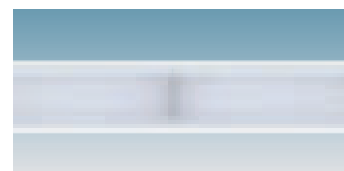
applications ranging between **10 and 30**; **the lower the UGR value, the lower the glare**. The exact value of this index differs by project type because it depends on the position of the luminaires, room characteristics (dimensions, reflections) and on the point of observation of viewers.

**The UGR** (unified glare rating) is an international unified measure developed by the CIE (Commission International de l'Eclairage) to assess the direct glare generated by a lighting system. The European standard regulating the lighting of indoor work places (**UNI-EN 12464-1**) recommends a specific UGR value for different



**Diffuser:** shield in transparent PMMA with micro-lenticular film and glass shielding of UGR<19.

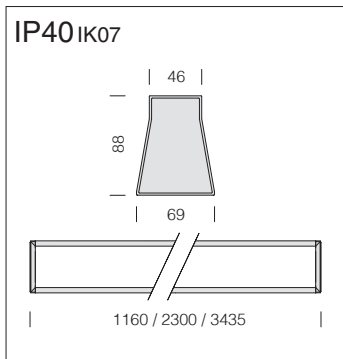
Possibility to be mounted in continuous lines with the connecting bracket with code 220**25876**-00



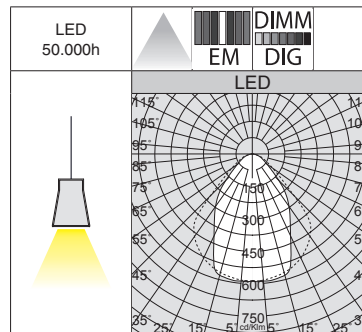
**IP40IK07**  
**LED:** luminous flux maintenance 80%: 50.000h (L80B20).  
 Power factor ≥0,92.

**Sintesi System - ceiling - with UGR<19 shield**

		Sintesi System - ceiling - with UGR<19 shield					
		CLD (ON-OFF)	CLD-E (1h)	CLD D-DIG (DALI)		LUMEN OUTPUT (tq= 25 °C)	
LED (700mA)	colour	L (mm)	code	code	code	K - ølm (700mA) - CRI	
<b>LED 4 modules</b>	white	1160	22010110-00	22010110-09	22010110-1241	29	4000K - 2547lm - CRI>80
			22010110-39	22010110-0928	22010110-3941		3000K - 2369lm - CRI>80
<b>LED 8 modules</b>	white	2300	22010111-00	22010111-09	22010111-1241	56	4000K - 5094lm - CRI>80
			22010111-39	22010111-0928	22010111-3941		3000K - 4737lm - CRI>80
<b>LED 12 modules</b>	white	3435	22010112-00	22010112-09	22010112-1241	81	4000K - 7641lm - CRI>80
			22010112-39	22010112-0928	22010112-3941		3000K - 7106lm - CRI>80

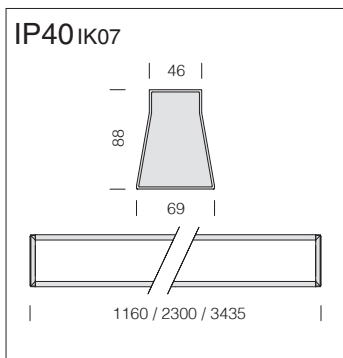


**LED:** luminous flux maintenance 80%: 50.000h (L80B20). Power factor  $\geq 0,92$ .



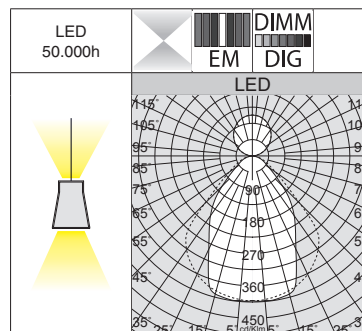
Sintesi System - suspension - with UGR<19 shield							
		CLD (ON-OFF)		CLD-E (1h)	CLD D-DIG (DALI)	LUMEN OUTPUT (tq= 25 °C)	
LED (700mA)	colour	L (mm)	code	code	code	W tot	
<b>LED 4 modules</b>	white	1160	22010113-00	22010113-09	22010113-1241	29	
			22010113-39	22010113-0928	22010113-3941		
<b>LED 8 modules</b>	white	2300	22010114-00	22010114-09	22010114-1241	56	
			22010114-39	22010114-0928	22010114-3941		
<b>LED 12 modules</b>	white	3435	22010115-00	22010115-09	22010115-1241	81	
			22010115-39	22010115-0928	22010115-3941		
							K - ølm (700mA) - CRI
							4000K - 2547lm - CRI>80
							3000K - 2369lm - CRI>80
							4000K - 5094lm - CRI>80
							3000K - 4737lm - CRI>80
							4000K - 7641lm - CRI>80
							3000K - 7106lm - CRI>80

Complete with millimetre adjustment device; suspensions to be purchased separately (see accessories page).

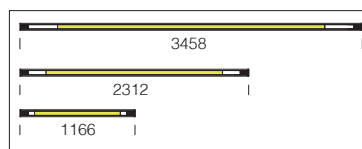


**LED:** luminous flux maintenance 80%: 50.000h (L80B20). Power factor  $\geq 0,92$ .

**Shield** for indirect light version in opal PMMA .



Indirect light distribution.



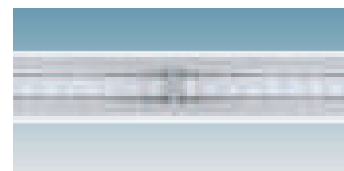
Sintesi System - suspension - direct/indirect - with UGR<19 shield							
		CLD (ON-OFF)		CLD-E (1h)	CLD D-DIG (DALI)	LUMEN OUTPUT (tq= 25 °C)	
LED (700mA+175mA)	colour	L (mm)	code	code	code	W tot	
<b>LED 4+3 modules</b>	white	1160	22010116-00		22010116-1241	40	
			22010116-39		22010116-3941		
<b>LED 8+6 modules</b>	white	2300	22010117-00	22010117-09	22010117-1241	76	
			22010117-39	22010117-0928	22010117-3941		
<b>LED 12+9 modules</b>	white	3435	22010118-00	22010118-09	22010118-1241	108	
			22010118-39	22010118-0928	22010118-3941		
							K - ølm (700mA+175mA) - CRI
							4000K - 3729lm - CRI>80
							3000K - 3468lm - CRI>80
							4000K - 7458lm - CRI>80
							3000K - 6936lm - CRI>80
							4000K - 11187lm - CRI>80
							3000K - 10404lm - CRI>80

Complete with millimetre adjustment device; suspensions to be purchased separately (see accessories page).



**Dark light louvre:** double parabolic louvres, in high-gloss 99.99 aluminium, anti-glare and anti-iridescence, very low luminance with PVD treatment or in double parabolic louvres, in high-gloss 99.85 aluminium.

Possibility to be mounted in continuous lines with the connecting bracket with code 220**25876**-00



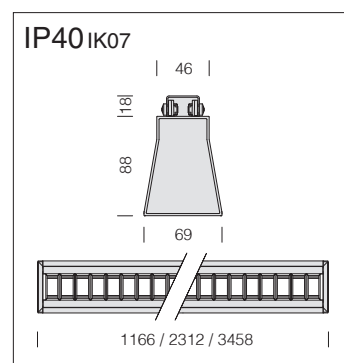
**DIMM**  
EM DIG

LED 50.000h

**RG0**

**LOW FLICKER**

**CASAMBI**

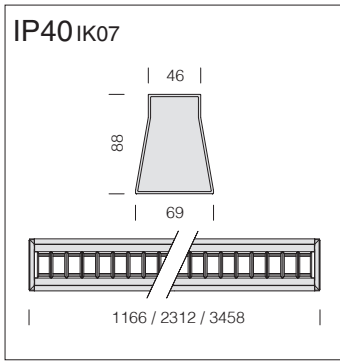


**LED:** luminous flux maintenance 80%: 50.000h (L80B20). Power factor  $\geq 0,92$ .

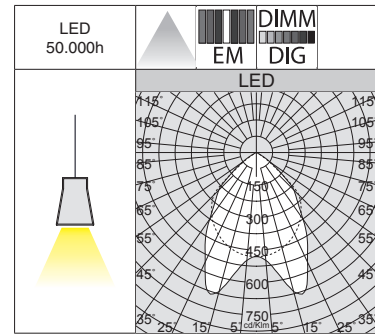
**Sintesi System - ceiling - Dark light - UGR<19**

LED (700mA)	colour	L (mm)	Sintesi System - ceiling - Dark light - UGR<19			W tot	LUMEN OUTPUT (tq= 25 °C)	
			CLD (ON-OFF) code	CLD-E (1h) code	CLD D-DIG (DALI) code		K - ølm (700mA) - CRI	
<b>LED 4 modules</b>	white	1166	220 <b>10010</b> -00	220 <b>10010</b> -09	220 <b>10010</b> -1241	<b>29</b>	4000K - 2511lm - CRI>80	
			220 <b>10010</b> -39	220 <b>10010</b> -0928	220 <b>10010</b> -3941		3000K - 2335lm - CRI>80	
<b>LED 8 modules</b>	white	2312	220 <b>10011</b> -00	220 <b>10011</b> -09	220 <b>10011</b> -1241	<b>56</b>	4000K - 5022lm - CRI>80	
			220 <b>10011</b> -39	220 <b>10011</b> -0928	220 <b>10011</b> -3941		3000K - 4670lm - CRI>80	
<b>LED 12 modules</b>	white	3458	220 <b>10012</b> -00	220 <b>10012</b> -09	220 <b>10012</b> -1241	<b>81</b>	4000K - 7533lm - CRI>80	
			220 <b>10012</b> -39	220 <b>10012</b> -0928	220 <b>10012</b> -3941		3000K - 7006lm - CRI>80	



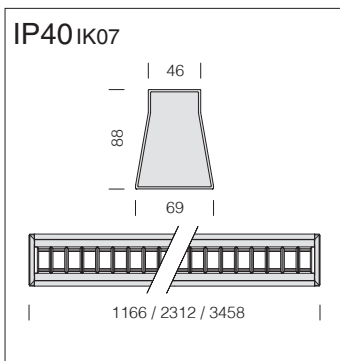


**LED:** luminous flux maintenance 80%: 50.000h (L80B20). Power factor  $\geq 0,92$ .



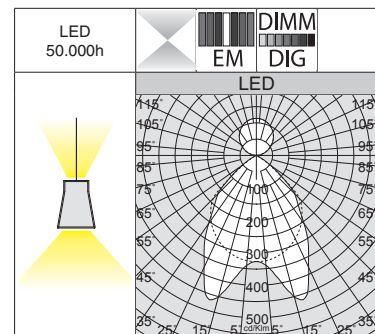
Sintesi System - suspension - Dark light - UGR<19						
		CLD (ON-OFF)		CLD-E (1h)	CLD D-DIG (DALI)	LUMEN USCENTI (tq= 25 °C)
LED (700mA)	colour	L (mm)	code	code	code	K - ølm (700mA) - CRI
<b>LED 4 modules</b>	white	1166	22010013-00	22010013-09	22010013-1241	4000K - 2511lm - CRI>80
			22010013-39	22010013-0928	22010013-3941	3000K - 2335lm - CRI>80
<b>LED 8 modules</b>	white	2312	22010014-00	22010014-09	22010014-1241	4000K - 5022lm - CRI>80
			22010014-39	22010014-0928	22010014-3941	3000K - 4670lm - CRI>80
<b>LED 12 modules</b>	white	3458	22010015-00	22010015-09	22010015-1241	4000K - 7533lm - CRI>80
			22010015-39	22010015-0928	22010015-3941	3000K - 7006lm - CRI>80

Complete with millimetre adjustment device; suspensions to be purchased separately (see accessories page).

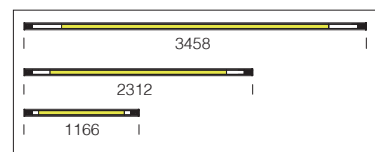


**LED:** luminous flux maintenance 80%: 50.000h (L80B20). Power factor  $\geq 0,92$ .

**Shield** for indirect light version in opal PMMA .



Indirect light distribution.



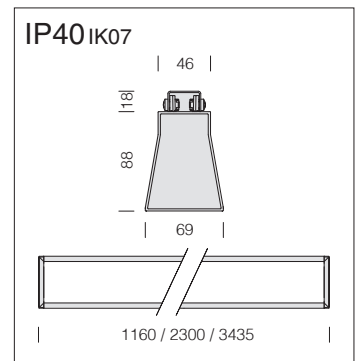
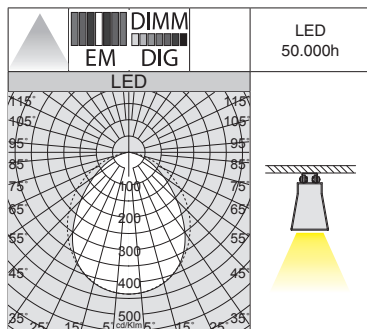
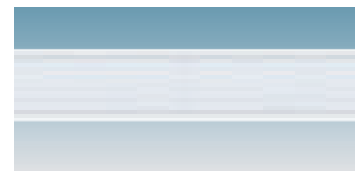
Sintesi System - suspension - direct/indirect light - Dark light - UGR<19						
		CLD (ON-OFF)		CLD-E (1h)	CLD D-DIG (DALI)	LUMEN OUTPUT (tq= 25 °C)
LED (700mA+175mA)	colour	L (mm)	code	code	code	K - ølm (700mA+175mA) - CRI
<b>LED 4+3 modules</b>	white	1166	22010016-00		22010016-1241	4000K - 3693lm - CRI>80
			22010016-39		22010016-3941	3000K - 3434lm - CRI>80
<b>LED 8+6 modules</b>	white	2312	22010017-00	22010017-09	22010017-1241	4000K - 7386lm - CRI>80
			22010017-39	22010017-0928	22010017-3941	3000K - 6869lm - CRI>80
<b>LED 12+9 modules</b>	white	3458	22010018-00	22010018-09	22010018-1241	4000K - 11079lm - CRI>80
			22010018-39	22010018-0928	22010018-3941	3000K - 10303lm - CRI>80

Complete with millimetre adjustment device; suspensions to be purchased separately (see accessories page).



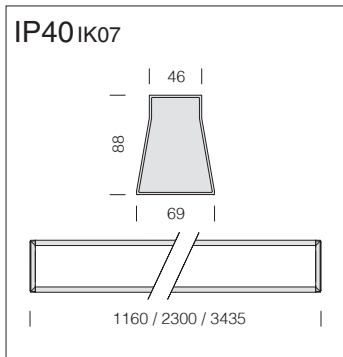
**Diffuser:** shield in transparent PMMA with high-performance wide-beam matt film.

Possibility to be mounted in continuous lines with the connecting bracket with code 220**25876**-00

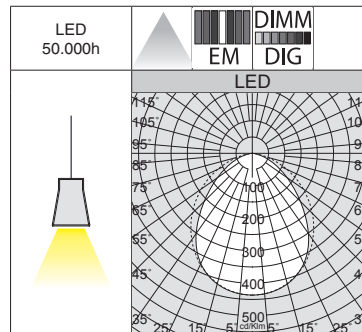


**LED:** luminous flux maintenance 80%: 50.000h (L80B20).  
Power factor  $\geq 0,92$ .

Sintesi System - ceiling - with matt shield - UGR<22						
LED (700mA)	colour	L (mm)	CLD (ON-OFF) code	CLD-E (1h) code	CLD D-DIG (DALI) code	W tot
<b>LED 4 modules</b>	white	1160	220 <b>10210</b> -00	220 <b>10210</b> -09	220 <b>10210</b> -1241	<b>29</b>
			220 <b>10210</b> -39	220 <b>10210</b> -0928	220 <b>10210</b> -3941	
<b>LED 8 modules</b>	white	2300	220 <b>10211</b> -00	220 <b>10211</b> -09	220 <b>10211</b> -1241	<b>56</b>
			220 <b>10211</b> -39	220 <b>10211</b> -0928	220 <b>10211</b> -3941	
<b>LED 12 modules</b>	white	3435	220 <b>10212</b> -00	220 <b>10212</b> -09	220 <b>10212</b> -1241	<b>81</b>
			220 <b>10212</b> -39	220 <b>10212</b> -0928	220 <b>10212</b> -3941	

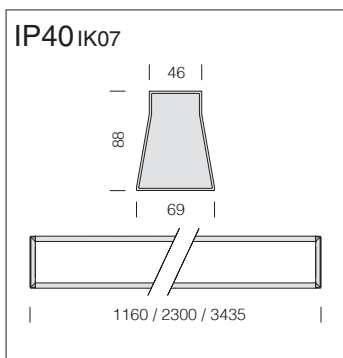


**LED:** luminous flux maintenance 80%: 50.000h (L80B20). Power factor  $\geq 0,92$ .



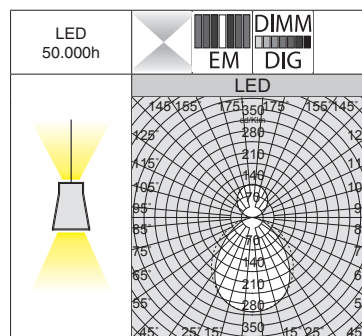
Sintesi System - suspension - with matt shield - UGR<22						
LED (700mA)	colour	L (mm)	CLD (ON-OFF) code	CLD-E (1h) code	CLD D-DIG (DALI) code	W tot
LED 4 modules	white	1160	22010213-00	22010213-09	22010213-1241	29
			22010213-39	22010213-0928	22010213-3941	
LED 8 modules	white	2300	22010214-00	22010214-09	22010214-1241	56
			22010214-39	22010214-0928	22010214-3941	
LED 12 modules	white	3435	22010215-00	22010215-09	22010215-1241	81
			22010215-39	22010215-0928	22010215-3941	

Complete with millimetre adjustment device; suspensions to be purchased separately (see accessories page).

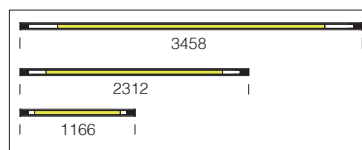


**LED:** luminous flux maintenance 80%: 50.000h (L80B20). Power factor  $\geq 0,92$ .

**Shield** for indirect light version in opal PMMA .



Indirect light distribution.



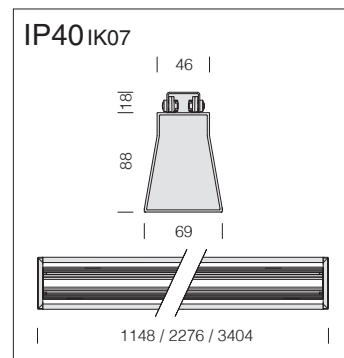
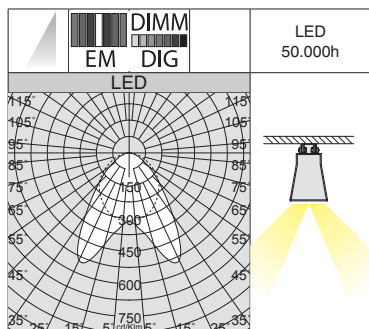
Sintesi System - suspension - direct/indirect light - with matt shield - UGR<22						
LED (700mA+175mA)	colour	L (mm)	CLD (ON-OFF) code	CLD-E (1h) code	CLD D-DIG (DALI) code	W tot
LED 4+3 modules	white	1160	22010216-00		22010216-1241	40
			22010216-39		22010216-3941	
LED 8+6 modules	white	2300	22010217-00	22010217-09	22010217-1241	76
			22010217-39	22010217-0928	22010217-3941	
LED 12+9 modules	white	3435	22010218-00	22010218-09	22010218-1241	108
			22010218-39	22010218-0928	22010218-3941	

Complete with millimetre adjustment device; suspensions to be purchased separately (see accessories page).



**Optics:** in polycarbonate, with very low glare coefficient, resistant to high temperature and UV radiation, with asymmetric - 25° bi-asymmetric and 60° wide-beam light distributions.

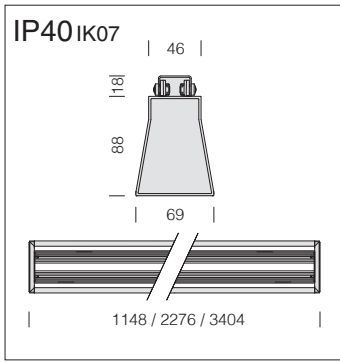
Possibility to be mounted in continuous lines with the connecting bracket with code 220**25876**-00



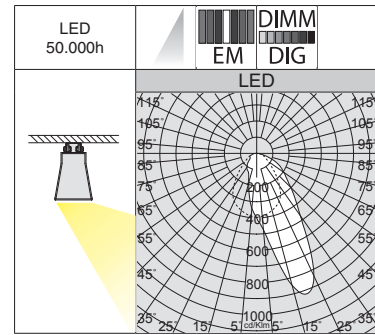
**LED:** luminous flux maintenance 80%: 50.000h (L80B20).  
Power factor  $\geq 0,92$ .

**Sintesi System - ceiling - 25° bi-asymmetric - UGR<22**

LED (350mA)	colour	L (mm)	Sintesi System - ceiling - 25° bi-asymmetric - UGR<22			W tot	LUMEN OUTPUT (tq= 25 °C)	
			CLD (ON-OFF) code	CLD-E (1h) code	CLD D-DIG (DALI) code		K - ølm (350mA) - CRI	
<b>LED 4 modules</b>	white	1148	220 <b>10310</b> -00	220 <b>10310</b> -09	220 <b>10310</b> -1241	<b>29</b>	4000K - 3429lm - CRI>80	
			220 <b>10310</b> -39	220 <b>10310</b> -0928	220 <b>10310</b> -3941		3000K - 3189lm - CRI>80	
<b>LED 8 modules</b>	white	2276	220 <b>10311</b> -00	220 <b>10311</b> -09	220 <b>10311</b> -1241	<b>56</b>	4000K - 6858lm - CRI>80	
			220 <b>10311</b> -39	220 <b>10311</b> -0928	220 <b>10311</b> -3941		3000K - 6378lm - CRI>80	
<b>LED 12 modules</b>	white	3404	220 <b>10312</b> -00	220 <b>10312</b> -09	220 <b>10312</b> -1241	<b>81</b>	4000K - 10287lm - CRI>80	
			220 <b>10312</b> -39	220 <b>10312</b> -0928	220 <b>10312</b> -3941		3000K - 9567lm - CRI>80	

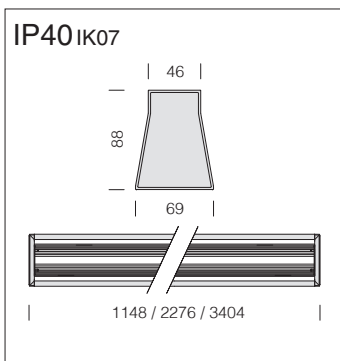


**LED:** luminous flux maintenance 80%: 50.000h (L80B20).  
Power factor  $\geq 0,92$ .



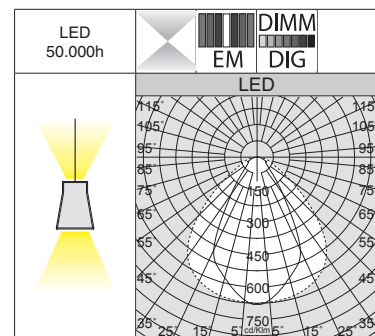
Sintesi System - ceiling - 25° asymmetric - UGR<22						
LED (350mA)	colour	CLD (ON-OFF)		CLD-E (1h)	CLD D-DIG (DALI)	LUMEN OUTPUT (tq= 25 °C)
		L (mm)	code	code	code	K - $\phi$ lm (350mA) - CRI
<b>LED 4 modules</b>	white	1148	22010313-00	22010313-09	22010313-1241	29
			22010313-39	22010313-0928	22010313-3941	
<b>LED 8 modules</b>	white	2276	22010314-00	22010314-09	22010314-1241	56
			22010314-39	22010314-0928	22010314-3941	
<b>LED 12 modules</b>	white	3404	22010315-00	22010315-09	22010315-1241	81
			22010315-39	22010315-0928	22010315-3941	

Complete with millimetre adjustment device; suspensions to be purchased separately (see accessories page).

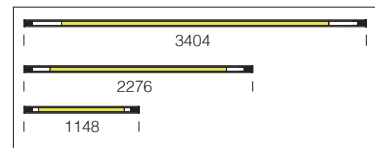


**LED:** luminous flux maintenance 80%: 50.000h (L80B20).  
Power factor  $\geq 0,92$ .

**Shield** for indirect light version in opal PMMA .

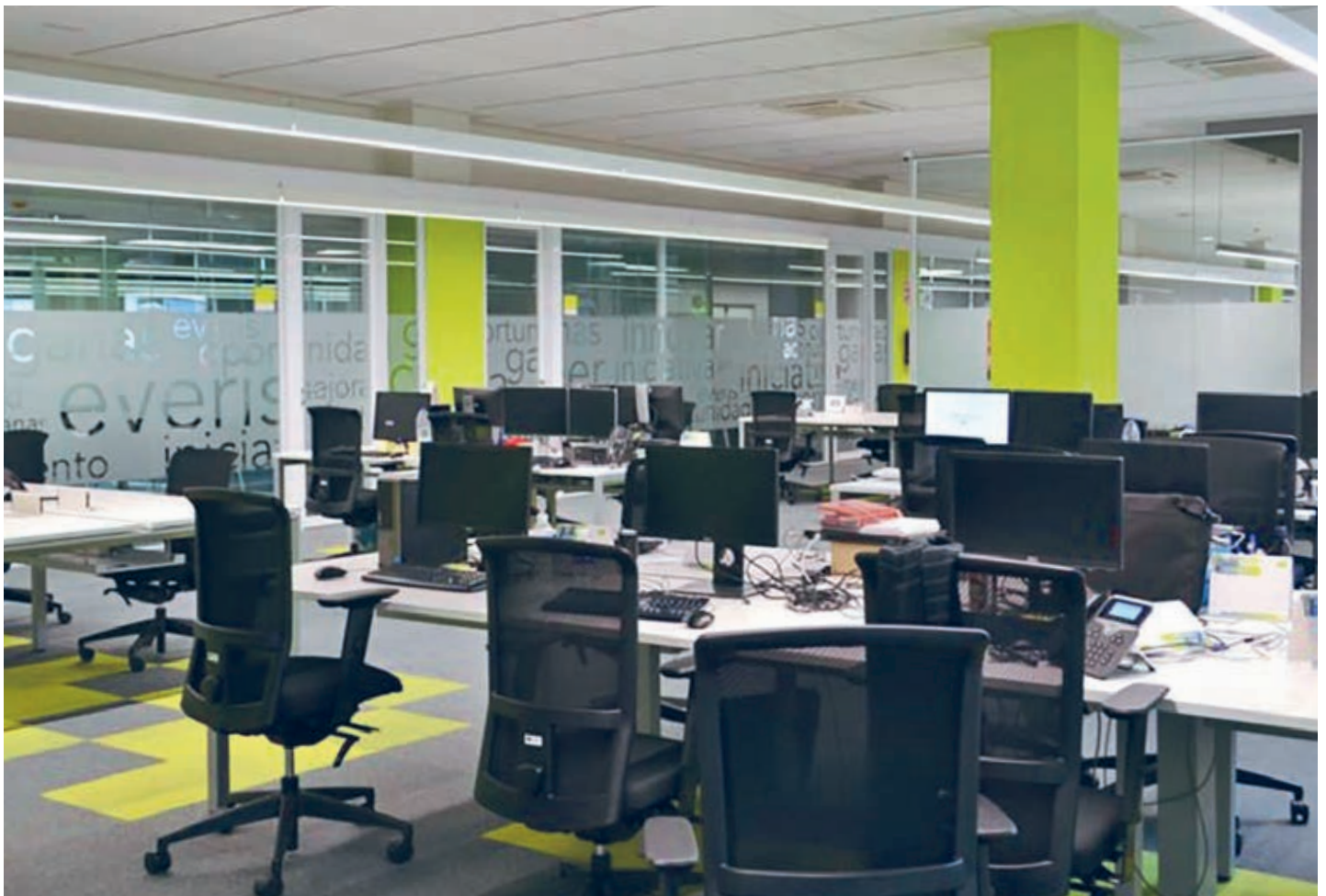


Indirect light distribution.



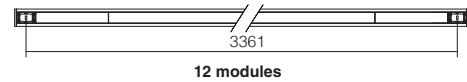
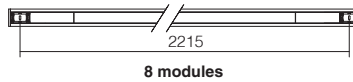
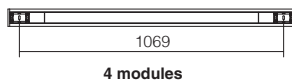
Sintesi System - suspension - direct/indirect light - 60° wide-beam - UGR<22						
LED (350mA+175mA)	colour	CLD (ON-OFF)		CLD-E (1h)	CLD D-DIG (DALI)	LUMEN OUTPUT (tq= 25 °C)
		L (mm)	code	code	code	K - $\phi$ lm (350mA+175mA) - CRI
<b>LED 4+3 modules</b>	white	1148	22010316-00		22010316-1241	40
			22010316-39		22010316-3941	
<b>LED 8+6 modules</b>	white	2276	22010317-00	22010317-09	22010317-1241	76
			22010317-39	22010317-0928	22010317-3941	
<b>LED 12+9 modules</b>	white	3404	22010318-00	22010318-09	22010318-1241	108
			22010318-39	22010318-0928	22010318-3941	

Complete with millimetre adjustment device; suspensions to be purchased separately (see accessories page).



Application as **ceiling lamp** - Sintesi System with **dark light shield**

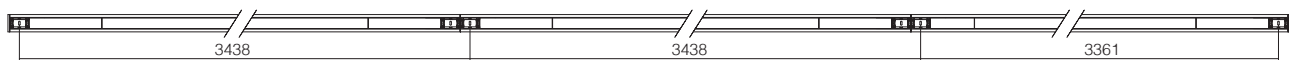
Ceiling base mounting - **individual lamp**



Ceiling base mounting - **8 modules in continuous line**

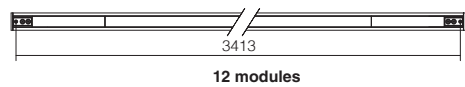
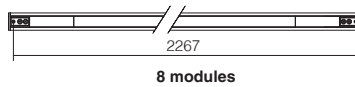
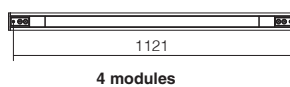


Ceiling base mounting - **12 modules in continuous line**

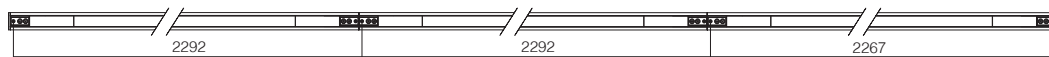


Application as **direct and direct/indirect light suspension lamp** - Sintesi System with **dark light shield**

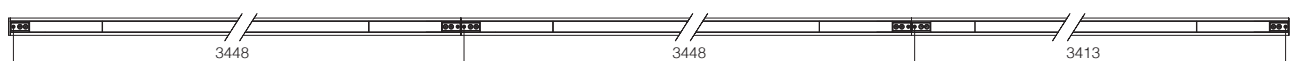
Suspension base mounting - **individual lamp**



Suspension base mounting - **8 modules in continuous line**

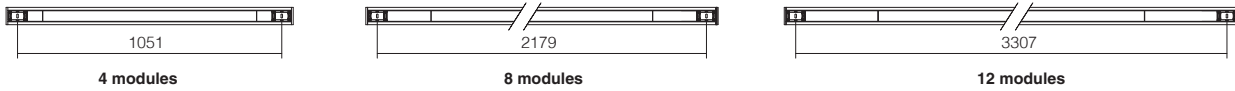


Suspension base mounting - **12 modules in continuous line**

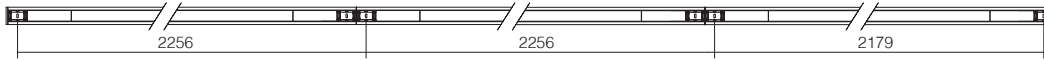


Application as **ceiling lamp** - Sintesi System with **modular lenses**

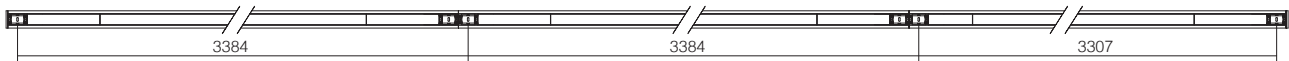
Ceiling base mounting - **individual lamp**



Ceiling base mounting - **8 modules in continuous line**

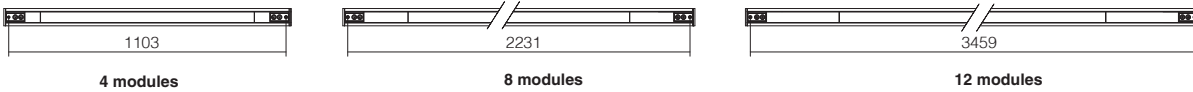


Ceiling base mounting - **12 modules in continuous line**

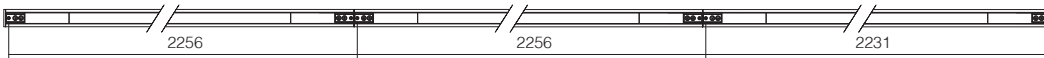


Application as direct and **direct/indirect light suspension lamp** - Sintesi System with **modular lenses**

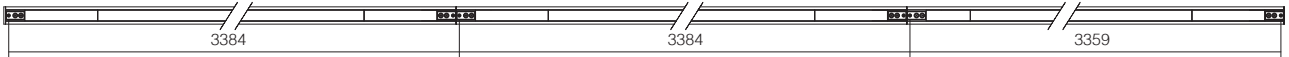
Suspension base mounting - **individual lamp**



Suspension base mounting - **8 modules in continuous line**

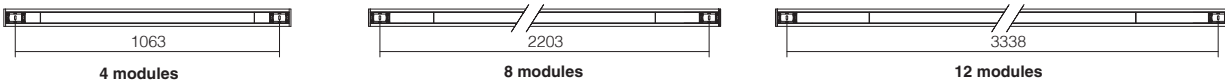


Suspension base mounting - **12 modules in continuous line**

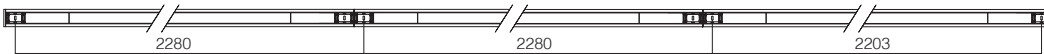


Application as **ceiling lamp** - Sintesi System with **UGR<19 - UGR<22 shield**

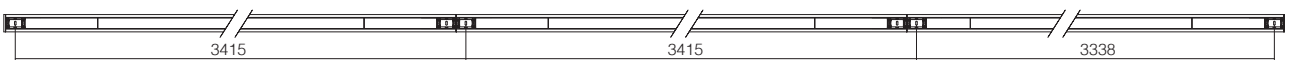
Ceiling base mounting - **individual lamp**



Ceiling base mounting - **8 modules in continuous line**

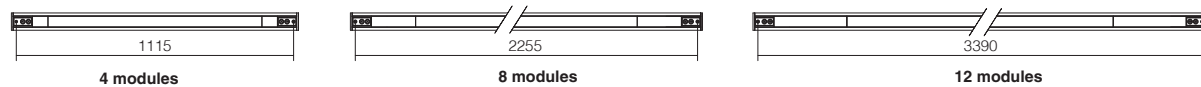


Ceiling base mounting - **12 modules in continuous line**



Application as **direct and direct/indirect light suspension lamp** - Sintesi System with **UGR<19 - UGR<22 shield**

Suspension base mounting - **individual lamp**

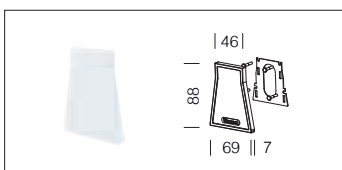


Suspension base mounting - **8 modules in continuous line**

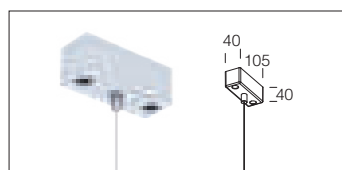


Suspension base mounting - **12 modules in continuous line**

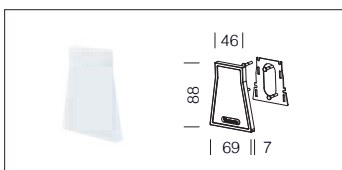




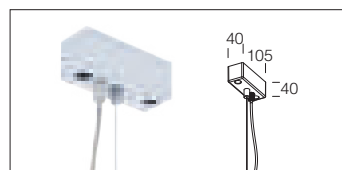
**Closing ends**  
**22025812-00**  
 For closing the terminal end of the linear installation. For versions with the shields, dark light optics and wide-beam lens.



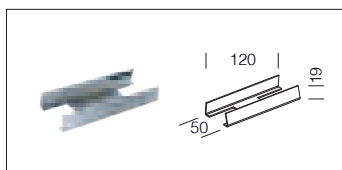
**Suspension with wire**  
 white | **22003118-00**  
 Complete with steel wire (L = 100cm) and millimetre adjustment device. Max load: 20 kg.



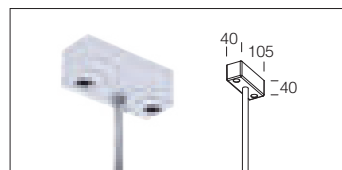
**Closing ends**  
**22025813-00**  
 For closing the terminal end of the linear installation. For version with modular lens.



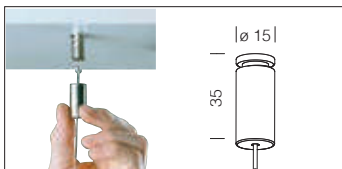
**Powered suspension with wire**  
 white | **22003190-00**  
 Supplied with steel wire (L = 100cm) and millimetre adjustment device and power cord. Max loading: 20Kg.



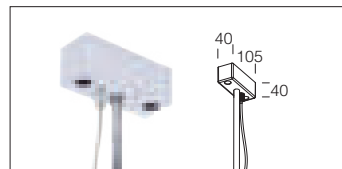
**Connecting bracket**  
**22025876-00**  
 It permits mechanical connection of the profiles.



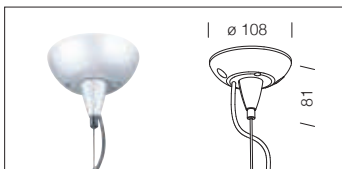
**Suspension with rods**  
 white | **22003117-00**  
 Complete with rods. Max loading: 30Kg. Length: 50cm - ø10 mm.



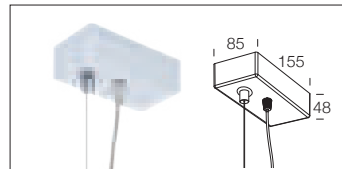
**Suspension**  
 galvanised | **22003166-00**  
 Supplied with steel wire (L=1,75m) and millimetre adjustment device. Max load: 20 kg.



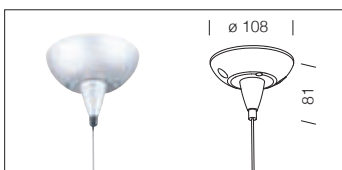
**Powered suspension with rods**  
 white | **22003116-00**  
 Complete with power cord and rods. Max loading: 30Kg. Length: 50cm - ø10 mm.



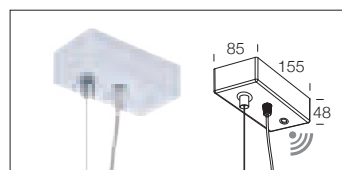
**Powered suspension**  
 white | **22003113-00**  
 Supplied with steel wire (L = 100cm) and millimetre adjustment device and power cord. Max loading: 20Kg.



**5P Powered suspension**  
 white | **22003120-00**  
 Supplied with steel wire (L = 100cm) and power cord. Max loading: 20Kg. For electric gear in **EM and DIMM DALI** versions.

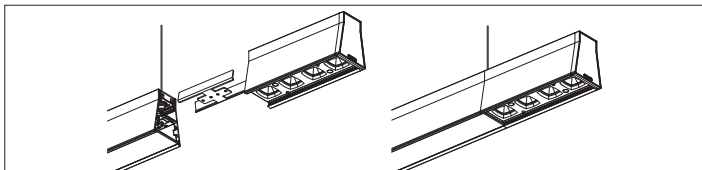
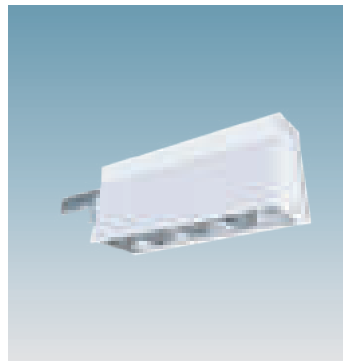
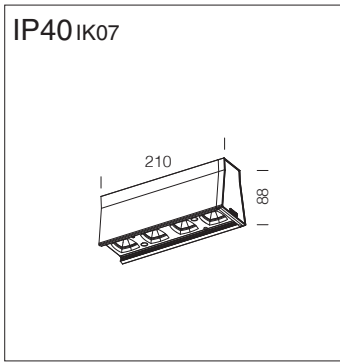


**Suspension**  
 white | **22003112-00**  
 Complete with steel wire (L = 100cm) and millimetre adjustment device. Max load: 20 kg.



**5P WIRELESS Powered suspension**  
 white | **22003125-00**  
 Supplied with steel wire (L = 100cm) and power cord. Max loading: 20Kg. For the **WIRELESS management of DIMM DALI** versions (**Out DALI : Max 7mA**).

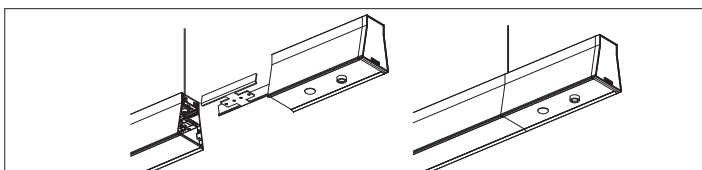
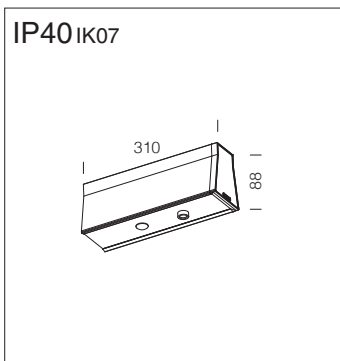




Sintesi Spot - UGR<22 - light module				
		CLD CELL		LED (ta= 25° C)
LED	colour	code	W	K - ølm - CRI
LED	white	22011610-00	31	4000K - 4320lm - CRI>80

In extruded aluminium complete with connecting bracket. It allows the mechanical alignment of profiles. A lighting module complete with reflector in high-performance metallic V0 polycarbonate with micro faceting.

The **Sintesi Spot** extra modules can be easily installed with the supplied connecting bracket for perfect mechanical alignment of profiles, fully compatible with all versions of Sintesi System; therefore, they are ideal to create multiple compositions in continuous lines capable of meeting any lighting and design need.

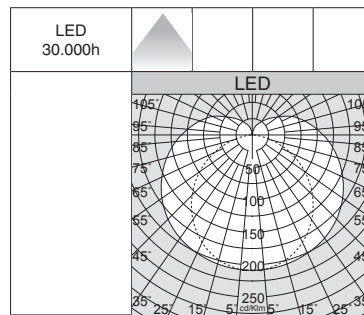
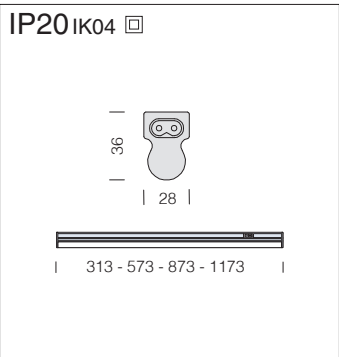


Sintesi Sensor - light and/or presence detector	
colour	code
white	22011619-00

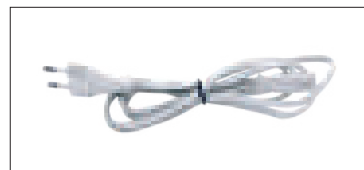
In extruded aluminium complete with connecting bracket. It allows the mechanical alignment of profiles. The module comes with the light and/or presence sensor for smart light management. To be installed only in DALI versions.

The **Sintesi Sensor** extra modules can be easily installed with the supplied connecting bracket for perfect mechanical alignment of profiles, fully compatible with all versions of Sintesi System; therefore, they are ideal to create multiple compositions in continuous lines capable of meeting any lighting and design need.





Power cable included



Compact, clean-cut and easy-to-install lamp, even in continuous line, thanks to the supplied accessories. It is ideal for the general lighting of interiors (entrance halls, corridors, basements, stairways) and can be easily fitted under kitchen cabinets, above bathroom mirrors, inside wardrobes, walk-in closets, corridors, etc.

**Housing:** in polycarbonate.

**Diffusore:** in polycarbonate.

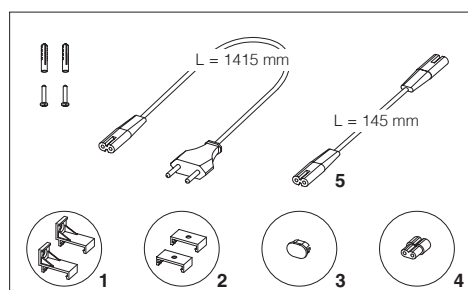
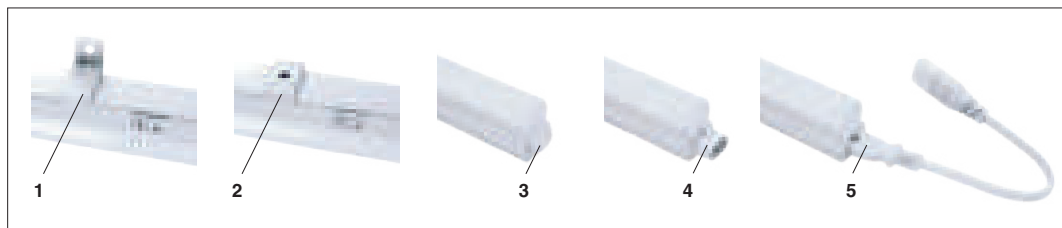
**Equipment:** complete with ON/OFF switch and power cable

**LED:** luminous flux maintenance 70%: 30.000h (L70B50).

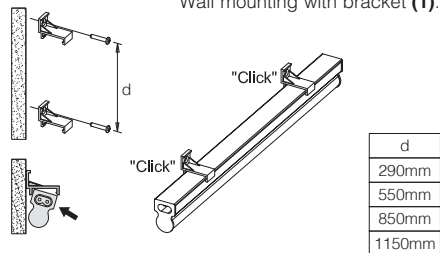
BoreaLED						
LED	colour	weight	L mm	CLD	W tot	LUMEN OUTPUT (tq= 25 °C)
LED	white	0.15	313	code	4	K - ølm - CRI
				22321010-00		4000K - 441lm - CRI>80
LED	white	0.25	573	22321010-39	8	3000K - 410lm - CRI>80
				22321011-00		4000K - 883lm - CRI>80
LED	white	0.40	873	22321011-39	11	3000K - 821lm - CRI>80
				22321012-00		4000K - 1215lm - CRI>80
LED	white	0.45	1173	22321012-39	14	3000K - 1130lm - CRI>80
				22321013-00		4000K - 1546lm - CRI>80
LED	white	0.45	1173	22321013-39	14	3000K - 1438lm - CRI>80

Other installation accessories included:

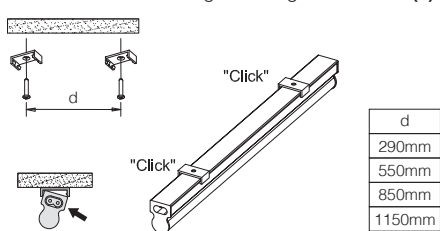
- 1) bracket for wall mounting
- 2) bracket for ceiling mounting
- 3) end cap
- 4) connector for continuous line mounting
- 5) connector with wire for continuous line mounting



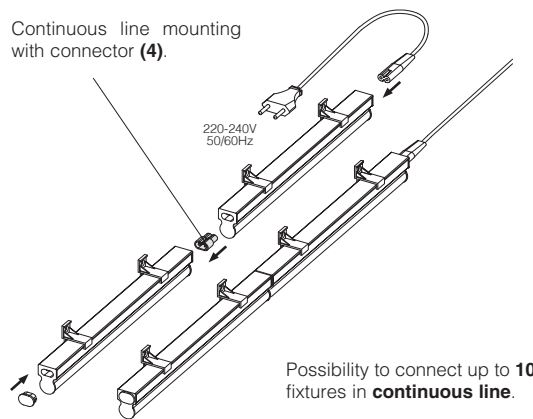
Wall mounting with bracket (1).



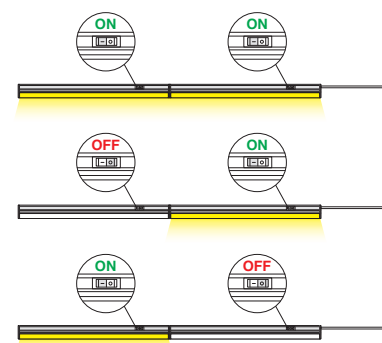
Ceiling mounting with bracket (2).



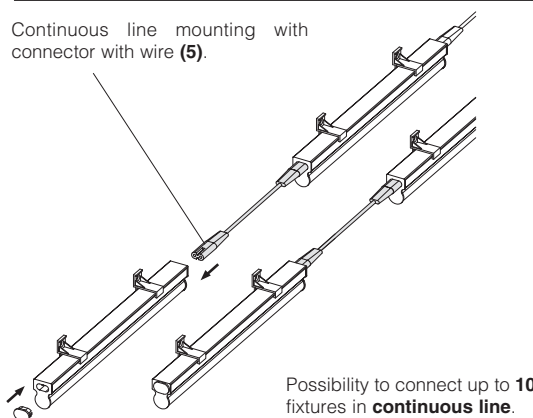
Continuous line mounting with connector (4).



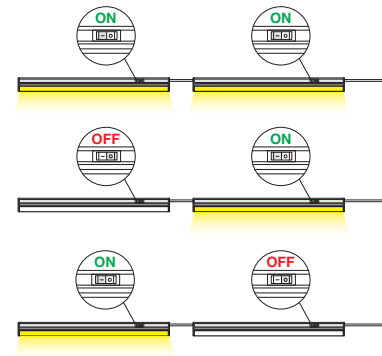
Possibility to switch lights ON/OFF independently.



Continuous line mounting with connector with wire (5).



Possibility to switch lights ON/OFF independently.





**Housing:** painted anodised aluminium body for external installation including stainless steel headpieces and equipped with **IP67 quick connector**.

**Internal diffuser:** opal PMMA tube.

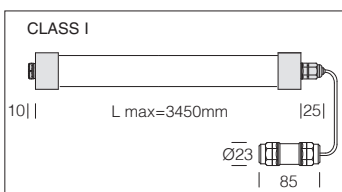
**External diffuser:** UV-stabilised and shock-proof clear PMMA tube.

**LED:** luminous flux maintenance 80%: 50.000h (L80B20).

**Upon request:**

- version with LED Strip 24V. L max = 3450mm.
  - version with CASAMBI automation lighting control system.
- For further information see chapter *Technical components*.

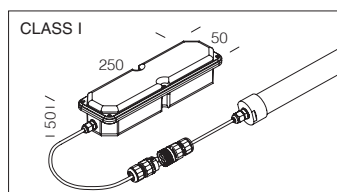
**DRIVER - IP BOX**



**IP67 Driver for version upon request with 24V Strip LED**

wattage	code
<b>100W</b>	22092036-00
<b>150W</b>	22092038-00

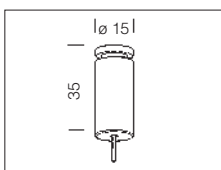
220-240V 50-60Hz/24Vdc



**IP65 box for 700mA standard version**

wattage	code
<b>34W</b>	22092055-00

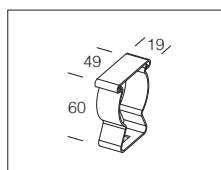
**INSTALLATIONS AND ACCESSORIES**



**Suspension**

galvanised	22003166-00
------------	-------------

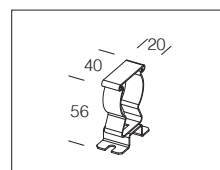
Supplied with steel wire (l=1,75m) and millimeter adjustment device. Max load: 20 kg



**Fixed bracket for Micro Liset**

inox	22025961-00
------	-------------

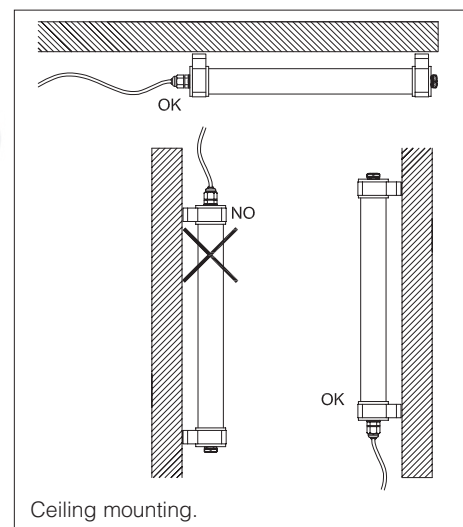
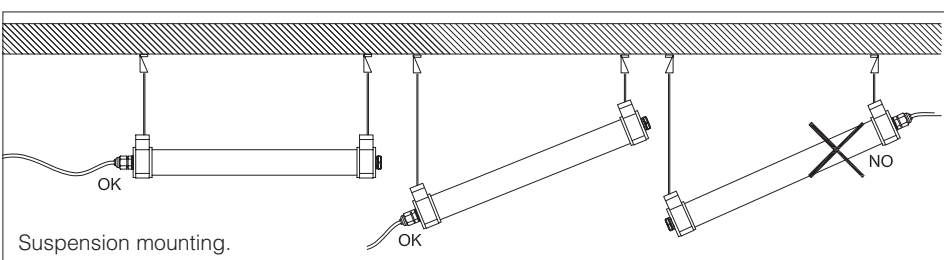
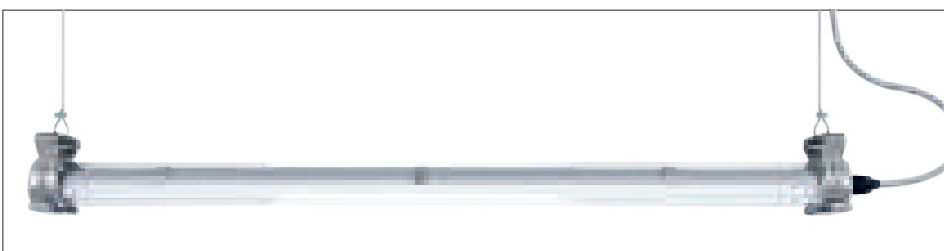
To be used to install Micro Liset. Contains 2 pieces.

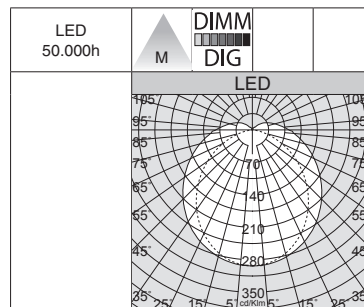
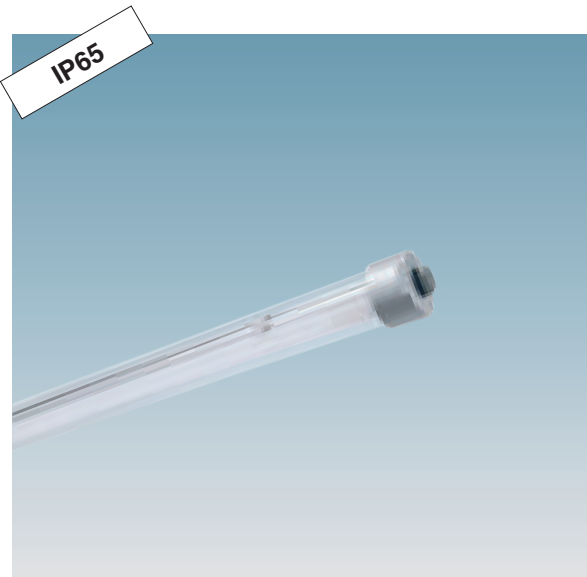
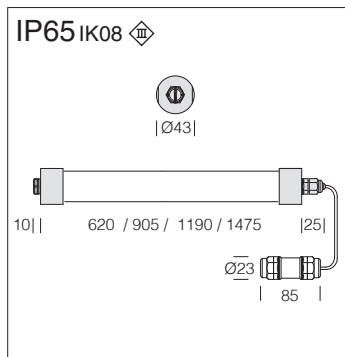


**Fixed intermediate bracket for Micro Liset**

inox	22025979-00
------	-------------

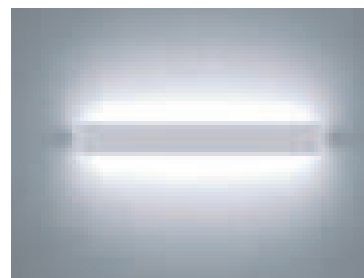
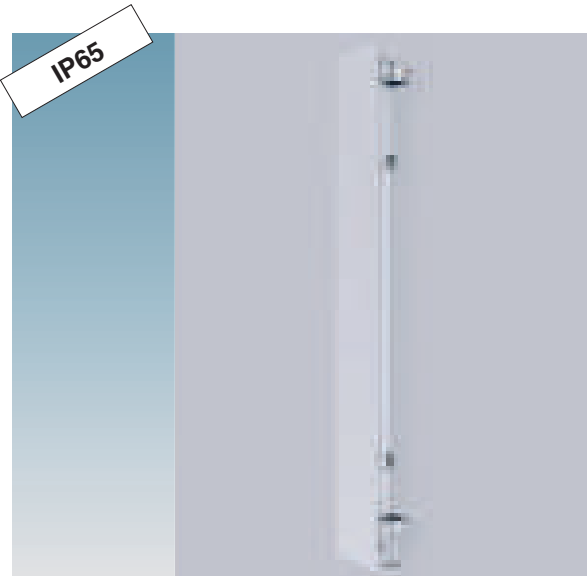
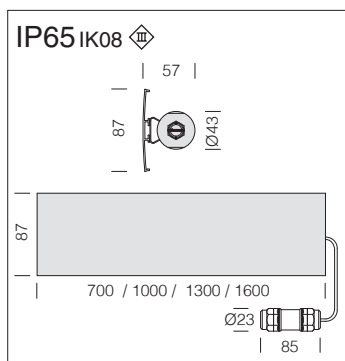
To be used to install Micro Liset with lengths over 1500mm.





Micro Liset - cylindrical PROFESSIONAL						
LED (700mA)	colour	L	CLD S+L code	CLD D-DIG (DALI)* code	W tot	LUMEN OUTPUT (tq= 25 °C) K - ølm (700mA) - CRI
36 LED	nat. oxi. alum.	620	22013070-68	22013070-6841	13	4000K - 1606lm - CRI>80
			22013070-00	22013070-1241		3000K - 1501lm - CRI>80
54 LED	nat. oxi. alum.	905	22013071-68	22013071-6841	19	4000K - 2410lm - CRI>80
			22013071-00	22013071-1241		3000K - 2252lm - CRI>80
72 LED	nat. oxi. alum.	1190	22013072-68	22013072-6841	25	4000K - 3212lm - CRI>80
			22013072-00	22013072-1241		3000K - 3002lm - CRI>80
90 LED	nat. oxi. alum.	1475	22013073-68	22013073-6841	31	4000K - 4017lm - CRI>80
			22013073-00	22013073-1241		3000K - 3754lm - CRI>80

For standard version of Micro Liset (L max=1475mm) use IP65 - 700mA power supply box: 34W cod. 22092055-00; for special Micro Liset (L >1475mm) use IP67-24V driver : 100W cod. 22092036-00 - 150W cod. 22092038-00.  
 \* CLD D-DIG version equipped with DALI driver.



Version with aluminium screen, ideal for reducing glare and creating striking lighting effects.



Micro Liset COVER - cylindrical PROFESSIONAL						
LED (700mA)	colour	L	CLD S+L code	CLD D-DIG (DALI)* code	W tot	LUMEN OUTPUT (tq= 25 °C) K - ølm (700mA) - CRI
36 LED	grey	700	22013074-68	22013074-6841	13	4000K - 1606lm - CRI>80
			22013074-00	22013074-1241		3000K - 1501lm - CRI>80
54 LED	grey	1000	22013075-68	22013075-6841	19	4000K - 2410lm - CRI>80
			22013075-00	22013075-1241		3000K - 2252lm - CRI>80
72 LED	grey	1300	22013076-68	22013076-6841	25	4000K - 3212lm - CRI>80
			22013076-00	22013076-1241		3000K - 3002lm - CRI>80
90 LED	grey	1600	22013077-68	22013077-6841	31	4000K - 4017lm - CRI>80
			22013077-00	22013077-1241		3000K - 3754lm - CRI>80

For standard version of Micro Liset (L max=1600mm) use IP65 - 700mA power supply box: 34W cod. 22092055-00; for special Micro Liset (L >1600mm) use IP67-24V driver: 100W cod. 22092036-00 - 150W cod. 22092038-00.  
 \* CLD D-DIG version equipped with DALI driver. **Upon request:** versions available in different colours and surface finishes to coordinate with any architectural design (example white, black).

new

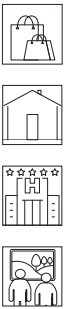
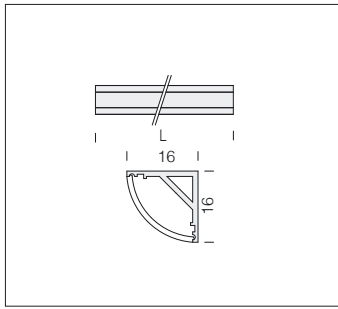
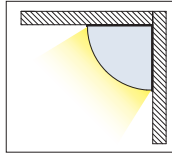
Range of profiles in extruded aluminium for the installation of Strip LED. Their easy installation and linear design ensure multiple applications with an architectonic effect.

**Housing:** in extruded aluminium.

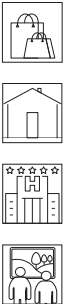
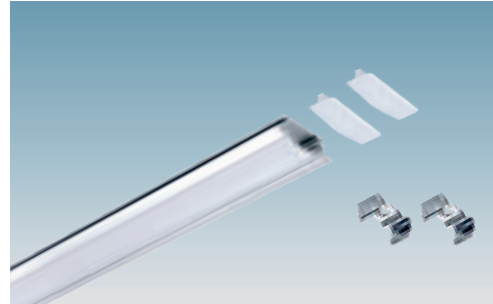
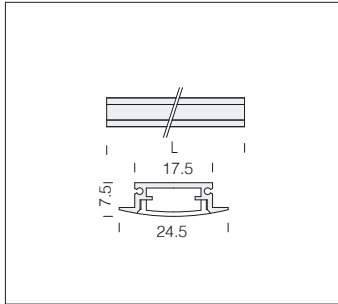
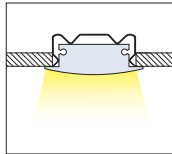
**Diffusor:** opal.

**Accessories always included:** end caps, connectors to ceiling and/or walls.

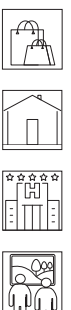
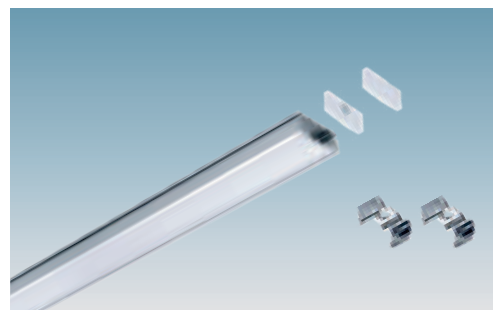
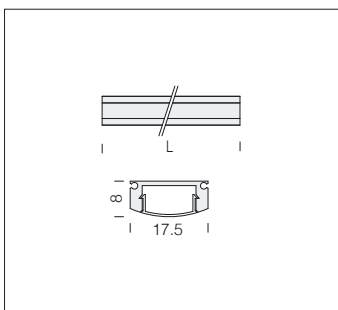
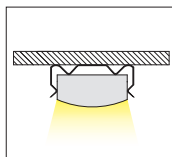
A Profile - angular		
S		
colour	L mm	code
nat. oxi.	2000	22012210-00



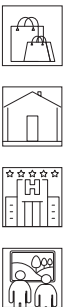
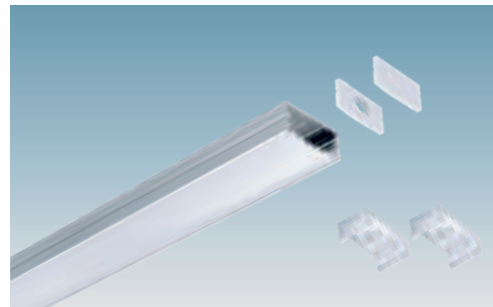
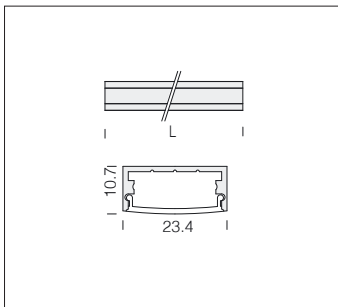
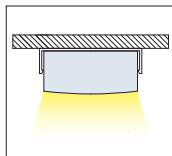
B Profile - recessed		
S		
colour	L mm	code
nat. oxi.	2000	22012211-00



C Profile		
S		
colour	L mm	code
nat. oxi.	2000	22012212-00

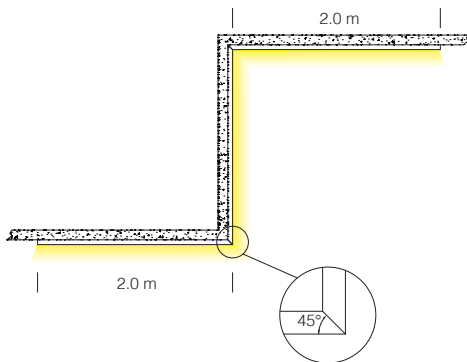


D Profile		
S		
colour	L mm	code
nat. oxi.	2000	22012213-00

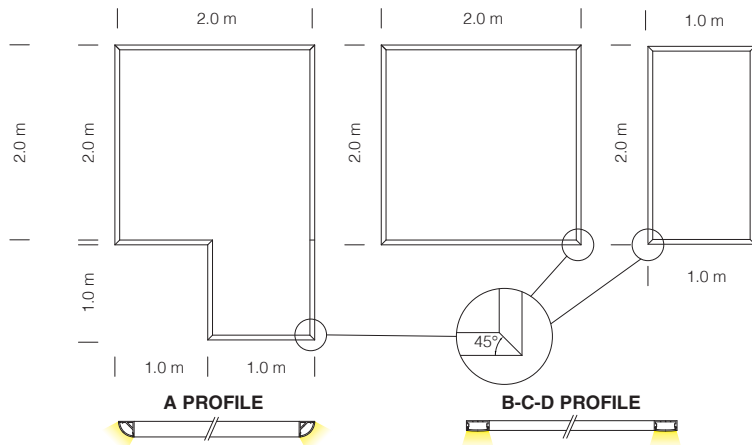


Range of profiles of different shapes used to house the LED strips, specifically designed to meet multiple lighting applications. **The profile can house all CRI 80-CRI 90 (IP20/IP65) adhesive LED Strips featured in this section of the catalogue (see following page).**

Example of application with **CEILING/WALL B-C-D PROFILE**



Example of application with **CEILING/SUSPENSION A-B-C-D PROFILE**





**Description:** Strips to be applied on smooth, clean and dry surfaces with 3M adhesive tape.

Avoid installation on sharp surfaces and pay attention not to damage components.

The product is supplied in 5-meter strips wrapped around support rolls, including a package containing connection accessories.

Strips can be cut at preset distances. For intermediate cuts, use the end caps included in the package and make sure that all cut ends are perfectly sealed.

Fosnova does not take responsibility for cuts made after the material has been delivered.

**Upon request:** version with CASAMBI automation lighting control system.  
For further information see chapter *Technical components*.







**Strip LED:** 24 V constant voltage stripe, ideal for application on aluminum extrusions but also for various decorative lighting applications such as cove lighting, façade accent lighting etc.

**Features and benefits :**

- Extremely narrow pitch distance enables short distance to diffuser and outstanding homogeneity
- High colour rendering, **CRI>90**
- Luminous flux range of 600, 1,200, 1,800 and 2,500 lm/m
- Colour temperature 3,000, 4,000 and 6,500 K
- High design freedom due to 5 cm cut-options
- Self-adhesive 3M tape at the backside for simple mounting on different surfaces
- PCB to PCB and wire to PCB connectors for toolless handling and connection
- Small colour tolerance (MacAdam 3)
- Life-time 50,000 hours
- System solution in combination with constant voltage LED Driver (fixed output and dimmable)
- **Connector not included**

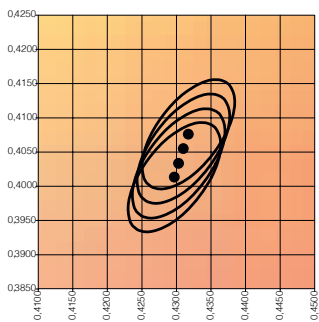
**Technical data**

Beam characteristic	120°
Ambient temperature range	-35 ... +50 °C
tp rated / tc	65 °C / 75 °C
Supply voltage DC	24 V
Supply voltage range DC (1)	21,5 – 26,4 V
Insulation test voltage	0,5 kV
Risk group (EN 62471:2008)	0
Classification acc. to IEC 62031	Built-in
Type of protection	IP00

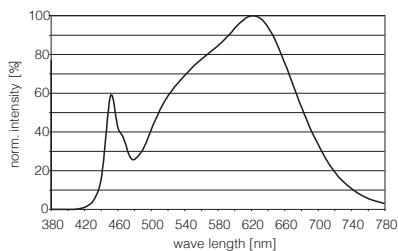
(1) Exceeding the max. operating voltage leads to an overload on the Strip. This may in turn result in a significant reduction in life-time or even in destruction.

**3000 K**

	x0	y0
Mittelpunkt 600 lm/m	0.4292	0.4010
Mittelpunkt 1,200 lm/m	0.4300	0.4033
Mittelpunkt 1,800 lm/m	0.4306	0.4050
Mittelpunkt 2,500 lm/m	0.4315	0.4072

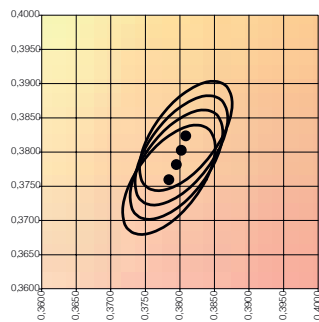


— MacAdam Ellipse: 3SDCM

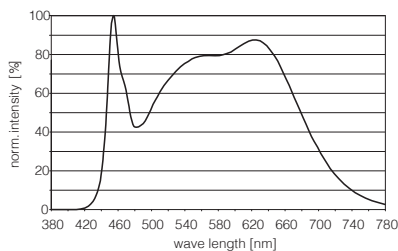


**4000 K**

	x0	y0
Centre 600 lm/m	0.3778	0.3753
Centre 1,200 lm/m	0.3788	0.3779
Centre 1,800 lm/m	0.3795	0.3798
Centre 2,500 lm/m	0.3804	0.3821

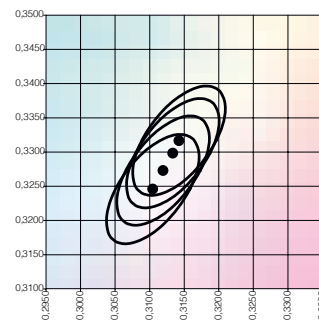


— MacAdam Ellipse: 3SDCM

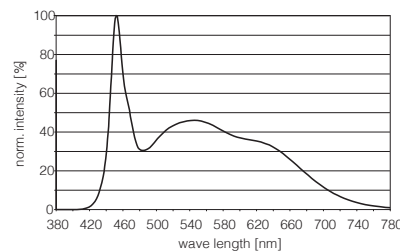


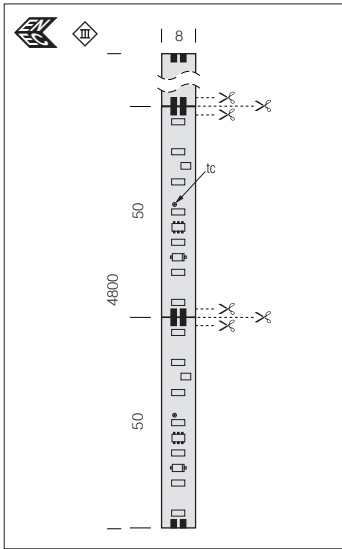
**6500 K**

	x0	y0
Centre 600 lm/m	0.3102	0.3243
Centre 1,200 lm/m	0.3116	0.3273
Centre 1,800 lm/m	0.3128	0.3297
Centre 2,500 lm/m	0.3138	0.3316

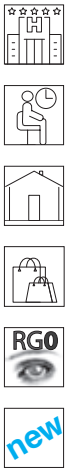


— MacAdam Ellipse: 3SDCM





CRI>90

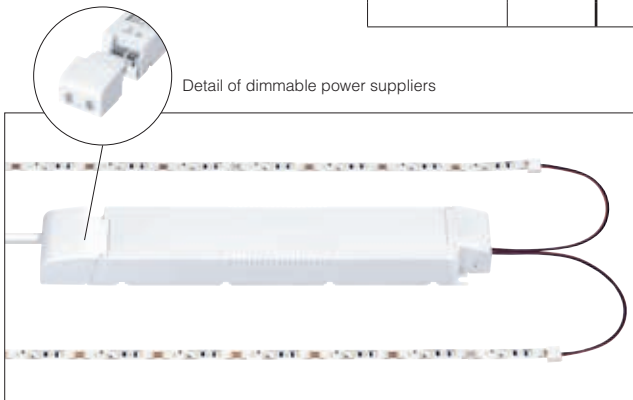


**Luminous flux maintenance:**

70%	L70F50 (tp= 65 °C)	50.000h
80%	L80F50 (tp= 75 °C)	30.000h

**Strip - LED 24V - CRI>90**

CLD S+L						
LED	colour	tot. length	code	W/m	K - CRI - degrees	ølm/m
LED	white	5 m	22485413-00	5	3000K - CRI>90 - 120°	600 lm/m
			22485414-00		4000K - CRI>90 - 120°	
			22485416-00		6500K - CRI>90 - 120°	
LED	white	5 m	* 22485513-00	10	3000K - CRI>90 - 120°	1200 lm/m
			* 22485514-00		4000K - CRI>90 - 120°	
			22485516-00		6500K - CRI>90 - 120°	
LED	white	5 m	* 22485613-00	15	3000K - CRI>90 - 120°	1800 lm/m
			* 22485614-00		4000K - CRI>90 - 120°	
			22485616-00		6500K - CRI>90 - 120°	
LED	white	5 m	* 22485713-00	21	3000K - CRI>90 - 120°	2500 lm/m
			* 22485714-00		4000K - CRI>90 - 120°	
			22485716-00		6500K - CRI>90 - 120°	



**CONNECTOR AND DRIVER**

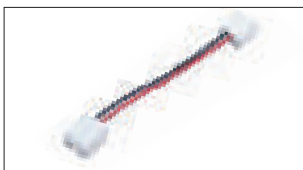
Driver: choose the most suited ones.  
**Upon request: CASAMBI version**

Connector for connection of LED strip modules:

- Easy assembly: remove adhesive 3M tape on the backside of the LED Strip in the connection area, insert the LED Strip into the connector and lock it by pressing down the top of the connector.
- The insertion length of the LED Strip must be at least 4 mm (cut the LED Strip at the dotted lines).

☑ **IP20 Driver - V in 100-277V 0/50/60Hz - V out 24V DC**

type	output energy power max (W)	weight (Kg)	size (mm) B - H - L	code
35W/24V	35W	0,23	40 - 21 - 220	22090235-00
60W/24V	60W	0,28	40 - 21 - 250	22090260-00



☑ **IP20 Driver DIMM DALI - V in 220-240V 0/50/60Hz - V out 24V DC**

type	output energy power max (W)	weight (Kg)	size (mm) B - H - L	code
35W/24V	35W	0,15	43 - 30 - 195	22090235-1241
60W/24V	60W	0,18	43 - 30 - 225	22090260-1241

☑ **IP20 Driver - V in 120-277V 0/50/60Hz - V out 24V DC**

type	output energy power max (W)	weight (Kg)	size (mm) B - H - L	code
96W/24V	96W	0,34	40 - 21 - 300	22090296-00
180W/24V	180W	0,85	64 - 31 - 280	22090218-00

**Corners connector**

150x9,8x5,7	22028210-00
60x9,8x5,7	22028211-00

To connect Strip-LED to corners.

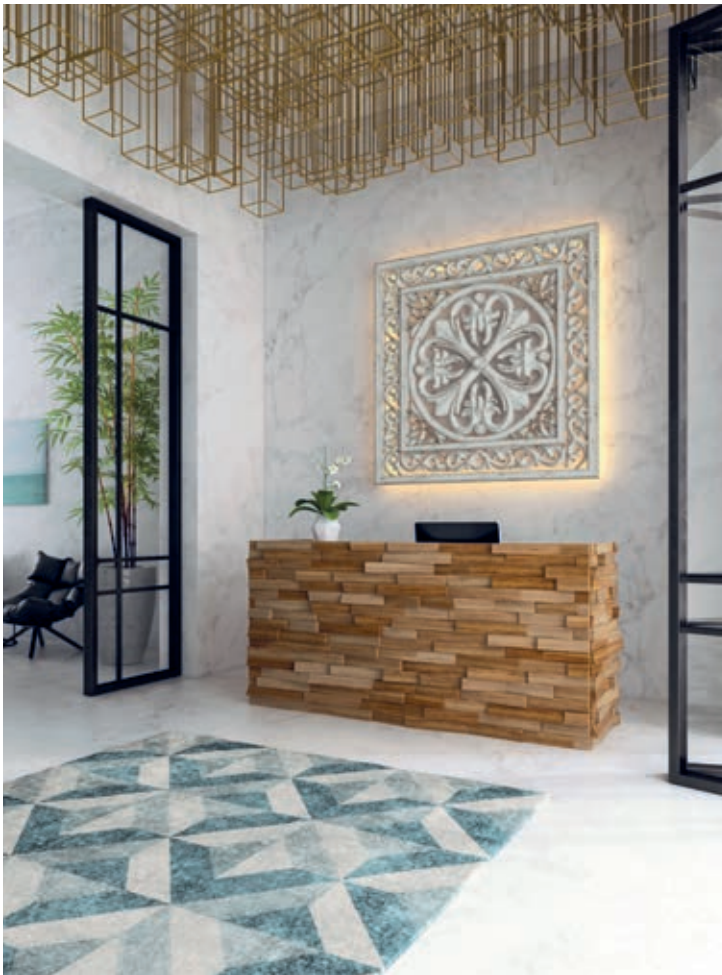
**Plug connector wire**

white	22028110-00
-------	-------------

Connector with wire.

☑ **IP20 Driver DIMM DALI - V in 220-240V 0/50/60Hz - V out 24V DC**

type	output energy power max (W)	weight (Kg)	size (mm) B - H - L	code
100W/24V	100W	0,26	43 - 30 - 295	22090210-1241
150W/24V	150W	0,30	43 - 30 - 325	22090215-1241



**Strip LED:** 24 V constant voltage strip. Ideal for various decorative lighting applications: facade accent lighting, ceiling integration, cove lighting and for aluminium extrusions.

**Features and benefits :**

- Luminous flux range of 600, 1200, 1800 lm/m
- Colour temperature 3000, 4000 and 6500 K
- High design freedom due to 10 cm cut-options
- Pitch distance of 1.4 cm enables high light homogeneity
- Self-adhesive 3M tape at the backside for simple mounting on different surfaces
- PCB to PCB and wire to PCB connectors for toolless handling and connection
- Life-time 50,000 hours
- System solution in combination with constant voltage LED Driver (fixed output and dimmable)
- **Connector not included**

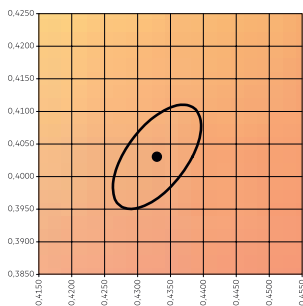
**Technical data**

Beam characteristic	120°
Ambient temperature range	-35 ... +50 °C
tp rated / tc	65 °C / 75 °C
Supply voltage DC	24 V
Supply voltage range DC (1)	21,5 – 26,4 V
Insulation test voltage	0,5 kV
Risk group (EN 62471:2008)	0

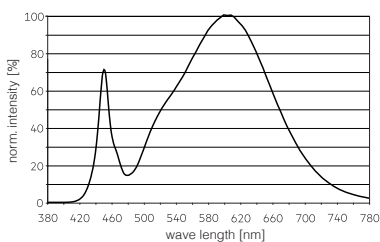
(1) Exceeding the max. operating voltage leads to an overload on the Strip. This may in turn result in a significant reduction in life-time or even in destruction.

**3,000 K**

	x0	y0
Centre	0.4338	0.4030

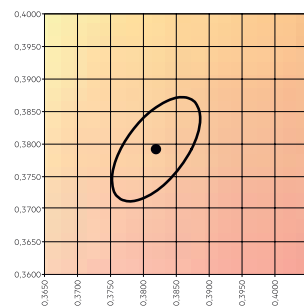


— MacAdam Ellipse: 3SDCM

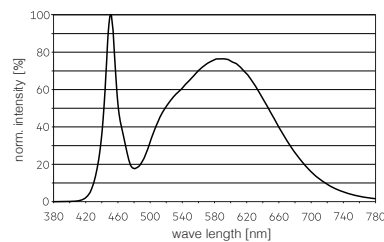


**4,000 K**

	x0	y0
Centre	0.3818	0.3797

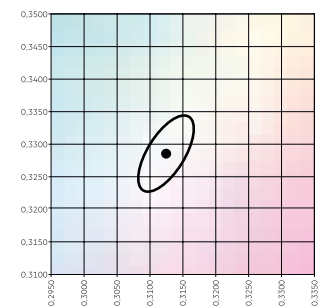


— MacAdam Ellipse: 3SDCM

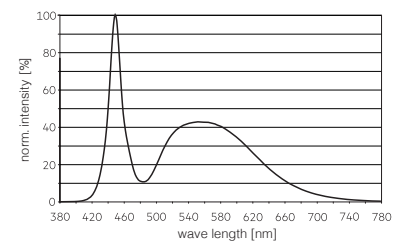


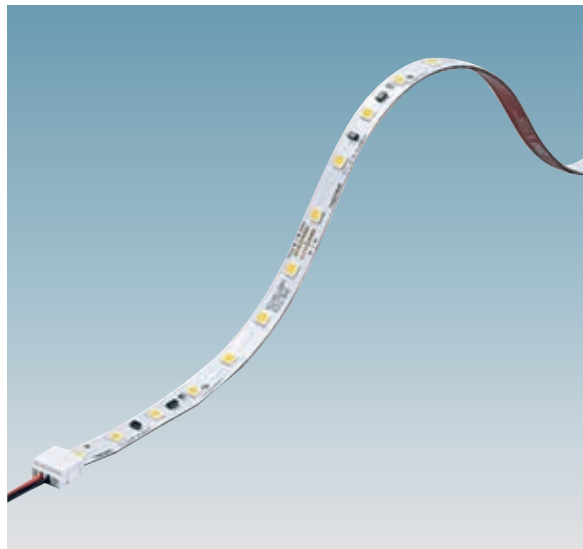
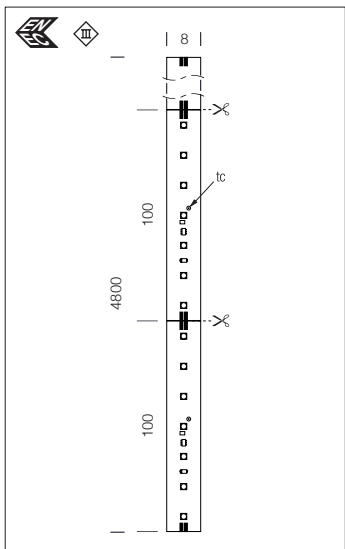
**6,500 K**

	x0	y0
Centre	0.3123	0.3282



— MacAdam Ellipse: 3SDCM





Luminous flux maintenance:		
80%	L80F50 (tp= 65 °C)	50.000h
90%	L90F50 (tp= 65 °C)	50.000h

Luminous flux maintenance:		
70%	L70F50 (tp= 75 °C)	50.000h
80%	L80F50 (tp= 75 °C)	50.000h
90%	L90F50 (tp= 75 °C)	28.000h

Strip - LED 24V - CRI>80						
CLD S+L						
LED	colour	tot. length	code	W/m	K - CRI - degrees	ølm/m
LED	white	5 m	22485813-00	4	3000K - CRI>80 - 120°	600 lm/m
			22485814-00		4000K - CRI>80 - 120°	
			22485816-00		6500K - CRI>80 - 120°	
LED	white	5 m	22485913-00	7	3000K - CRI>80 - 120°	1200 lm/m
			22485914-00		4000K - CRI>80 - 120°	
			22485916-00		6500K - CRI>80 - 120°	
LED	white	5 m	22486013-00	11	3000K - CRI>80 - 120°	1800 lm/m
			22486014-00		4000K - CRI>80 - 120°	
			22486016-00		6500K - CRI>80 - 120°	



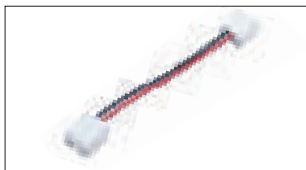
**CONNECTOR AND DRIVER**

Driver: choose the most suited ones.  
**Upon request: CASAMBI version**

Connector for connection of LED strip modules:

- Easy assembly: remove adhesive 3M tape on the backside of the LED Strip in the connection area, insert the LED Strip into the connector and lock it by pressing down the top of the connector.
- The insertion length of the LED Strip must be at least 4 mm (cut the LED Strip at the dotted lines).

IP20 Driver - V <sub>in</sub> 100-277V 0/50/60Hz - V <sub>out</sub> 24V DC				
type	output energy power max (W)	weight (Kg)	size (mm) B - H - L	code
35W/24V	35W	0,23	40 - 21 - 220	22090235-00
60W/24V	60W	0,28	40 - 21 - 250	22090260-00



IP20 Driver DIMM DALI - V <sub>in</sub> 220-240V 0/50/60Hz - V <sub>out</sub> 24V DC				
type	output energy power max (W)	weight (Kg)	size (mm) B - H - L	code
35W/24V	35W	0,15	43 - 30 - 195	22090235-1241
60W/24V	60W	0,18	43 - 30 - 225	22090260-1241

IP20 Driver - V <sub>in</sub> 120-277V 0/50/60Hz - V <sub>out</sub> 24V DC				
type	output energy power max (W)	weight (Kg)	size (mm) B - H - L	code
96W/24V	96W	0,34	40 - 21 - 300	22090296-00
180W/24V	180W	0,85	64 - 31 - 280	22090218-00

Corners connector	
150x9,8x5,7	22028210-00
60x9,8x5,7	22028211-00

To connect Strip-LED to corners.

Plug connector wire	
white	22028110-00

Connector with wire.

IP20 Driver DIMM DALI - V <sub>in</sub> 220-240V 0/50/60Hz - V <sub>out</sub> 24V DC				
type	output energy power max (W)	weight (Kg)	size (mm) B - H - L	code
100W/24V	100W	0,26	43 - 30 - 295	22090210-1241
150W/24V	150W	0,30	43 - 30 - 325	22090215-1241



## Strip - LED - IP20

n. LED	V	total length	width	code	W / linear meter	lm/meter	lm/W	W tot	K - CRI
300 LED	24V	5 m	10 mm	22486020-00	12 W/m	1440lm/m	120lm/W	60	4000K - CRI>80
				22486020-39		1380lm/m	115lm/W		3000K - CRI>80
420 LED	24V	5 m	10 mm	22486021-00	16 W/m	2016lm/m	126lm/W	80	4000K - CRI>80
				22486021-39		1932lm/m	121lm/W		3000K - CRI>80
600 LED	24V	5 m	10 mm	22486022-00	23 W/m	2880lm/m	125lm/W	115	4000K - CRI>80
				22486022-39		2760lm/m	120lm/W		3000K - CRI>80

## Strip - LED - IP20 - CRI&gt;90

n. LED	V	total length	width	code	W / linear meter	lm/meter	lm/W	W tot	K - CRI
600 LED	24V	5 m	8 mm	22486040-00	9,6 W/m	1343lm/m	140lm/W	48	4000K - CRI>90
				22486040-39		1321lm/m	138lm/W		3000K - CRI>90
1200 LED	24V	5 m	10 mm	22486041-00	20 W/m	2857lm/m	143lm/W	100	4000K - CRI>90
				22486041-39		2781lm/m	139lm/W		3000K - CRI>90

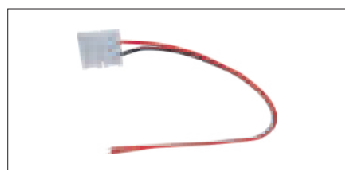
## Strip - LED - IP20 - CRI 95

n. LED	V	total length	width	code	W / linear meter	lm/meter	lm/W	W tot	K - CRI
840 LED	24V	5 m	4 mm	22486050-00	6 W/m	907lm/m	151lm/W	30	4000K - CRI 95
				22486050-39		900lm/m	150lm/W		3000K - CRI 95
700 LED	24V	5 m	8 mm	22486051-00	12 W/m	1812lm/m	151lm/W	60	4000K - CRI 95
		5 m	12 mm	22486051-39		1800lm/m	150lm/W		3000K - CRI 95
1050 LED	24V	5 m	10 mm	22486052-00	16 W/m	2416lm/m	151lm/W	80	4000K - CRI 95
				22486052-39		2400lm/m	150lm/W		3000K - CRI 95
1190 LED	24V	5 m	10 mm	22486053-00	19,2 W/m	2918lm/m	152lm/W	96	4000K - CRI 95
				22486053-39		2880lm/m	150lm/W		3000K - CRI 95

## Strip - LED - IP65

n. LED	V	total length	width	code	W / linear meter	lm/meter	lm/W	W tot	K - CRI
300 LED	24V	5 m	16 mm	22486030-00	12 W/m	1440lm/m	120lm/W	60	4000K - CRI>80
				22486030-39		1380lm/m	115lm/W		3000K - CRI>80
420 LED	24V	5 m	16 mm	22486031-00	16 W/m	2016lm/m	126lm/W	80	4000K - CRI>80
				22486031-39		1932lm/m	121lm/W		3000K - CRI>80

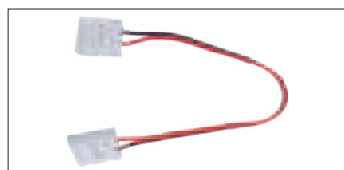
## CONNECTOR / ACCESSORIES AND DRIVER FOR STRIP



Plug connector wire - Strip-LED IP20

10 mm	*22028314-00
10 mm	22028301-00
12 mm	22028302-00

Connector with wire; to connect IP20 Strip-LED to the driver (\*for strip 300 LED=60LED/m and 420 LED=84LED/m).



Corners connector - Strip-LED IP20

10 mm	*22028316-00
10 mm	22028303-00
12 mm	22028304-00

Connector with wire; to connect IP20 Strip-LED to corners (\*for strip 300 LED=60LED/m and 420 LED=84LED/m).

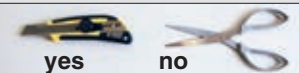


Continuous line connector - Strip-LED IP20

10 mm	*22028315-00
10 mm	22028305-00
12 mm	22028306-00

To connect IP20 Strip-LED in continuous line (\*for strip 300 LED=60LED/m and 420 LED=84LED/m).

3M adhesive tape



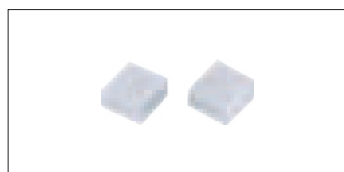
**Note:** never use scissors for cutting, use a cutter instead. To ensure proper operation and the correct IP level, restore the strip cabling to the original configuration. For intermediate cuts, use the end caps and make sure that all cut ends are perfectly sealed. Fosnova does not take responsibility for cuts made after the material has been delivered. This note applies to all LED strips.



Waterproof connector - Strip-LED IP65

IP65 22025820-00

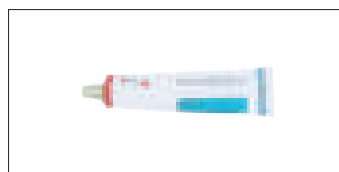
Waterproof connector; to connect IP65 Strip-LED to the driver.



End cap - Strip-LED IP65

IP65 22028318-00

End cap for IP65 Strip-LED.



Silicone

22028412-00

Silicone for end cap.

## Driver for Strip LED IP20

wattage	code	connection								
		STRIP CRI>80			STRIP CRI-90		STRIP CRI 95			
		300 LED 60 W	420 LED 80 W	600 LED 115 W	600 LED 48 W	1200 LED 100 W	840 LED 30 W	700 LED 60 W	1050 LED 80 W	1190 LED 96 W
75W / 24V	22090775-00	1	-	-	1	-	2	1	-	-
90W / 24V	22090790-00	1	1	-	1	-	3	1	1	-
120W / 24V	22090713-00	2	1	1	2	1	4	2	1	1
180W / 24V	22090718-00	3	2	1	3	1	6	3	2	1

Use subcode -12 for 1-10V power units. Version with DMX unit code 22092054-00

## Driver for Strip IP65

wattage	code	connection	
		STRIP CRI >80	
		300 LED 60 W	420 LED 80 W
75W / 24V	22092030-00	1	-
100W / 24V	22092036-00	1	1
150W / 24V	22092038-00	2	1

Use subcode -12 for 1-10V power units. Version with DMX unit code 22092054-00







CONNECTOR / ACCESSORIES FOR STRIP



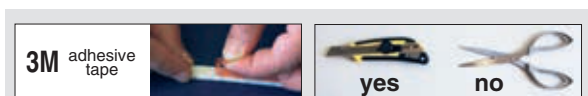
**Kit for IP65/IP68 strip - 230V**  
22028610-00  
Kit for IP65/IP68 **230V** strip installation.



**Plug connector wire - 230V**  
22028307-00  
Connector with wire; to connect IP68 Strip LED to the power supply system.

Strip - LED - 230V - IP65 - CRI 80							
n. LED	V	L. tot	code	W / linear meter	lm/meter	degrees	Kelvin
120 LED	230V	20m	22489010-00	14 W/m	1370lm	120°	3000K
			22489011-00		1450lm		4000K

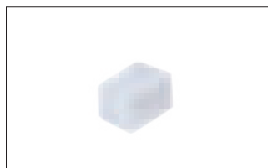
Strip - LED - 230V - IP68 - CRI 80							
n. LED	V	L. tot	code	W / linear meter	lm/meter	degrees	Kelvin
120 LED	230V	50m	22489210-00	7 W/m	750lm	120°	3000K
			22489211-00		800lm		4000K



**Note:** never use scissors for cutting, use a cutter instead. To ensure proper operation and the correct IP level, restore the strip cabling to the original configuration. For intermediate cuts, use the end caps and make sure that all cut ends are perfectly sealed. Fosnova does not take responsibility for cuts made after the material has been delivered. This note applies to all LED strips.



CONNECTOR / ACCESSORIES AND DRIVER FOR STRIP



**End cap**  
22028511-00  
End cap for IP67 SILICONE NEON strip.



**Fixing clips**  
22028610-00  
Fixing clips for IP67 SILICONE NEON strip.

Strip SILICONE NEON - 24V - IP67 - CRI 80							
n. LED	V	L. tot	code	W / linear meter	lm/meter	degrees	Kelvin
16x16	24V	5 m	22489310-00	11,5 W/m	800lm	110°	3000K
			22489311-00		800lm		4000K

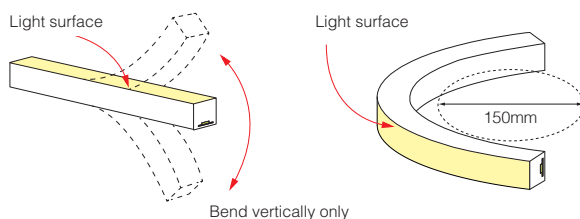
DRIVER for IP67 Strip LED

wattage	code	W / metro lineare
75W / 24V	22092030-00	1 Strip 120 LED - 12 W/m
100W / 24V	22092036-00	1 Strip 120 LED - 12 W/m
150W / 24V	22092038-00	2 Strips 120 LED - 12 W/m

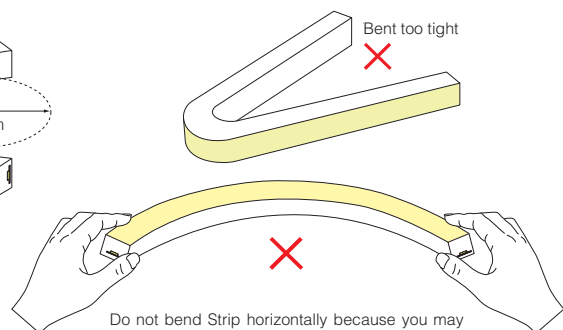
The STRIP SILICONE NEON luminaires are made in ecological silicone material with high light transmittance and an IP67 degree of protection. They provide excellent resistance to heat, cold, ageing, yellowing and UV radiation. These luminaires are suitable for both indoor and outdoor lighting, such as urban evening settings, decorative lighting of architectural details, roof corners and corridors.

STRIP SILICONE NEON with upper bending can only be bent in the vertical direction, as shown below.

On the other hand, Strip with lateral bending can be bent only along the light surface.



Do not twist the Strip because you may damage the LED, heating element and the other internal circuits



Do not bend Strip horizontally because you may damage the LED, heating element and the other internal circuits

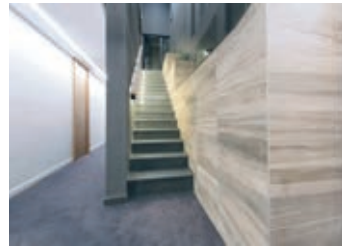


**“A new technology to disinfect, sanitize and purify air and surfaces: Strip UV”**

**UV fixtures are the best way to eliminate airborne microorganisms that may cause certain epidemic infectious diseases**

Highly frequented places can be sanitized with UV lamps. UV rays trigger a photochemical reaction within the germs damaging their protein structure to alter their DNA/RNA. This makes them harmless and unable to replicate, preventing the spread of contagion, disease or damage. Ultraviolet germicidal irradiation is a safe, proven and effective technology for the **elimination of microorganisms** like bacteria, viruses, fungi, spores, mites and moulds. It ensures bacteriologically controlled surfaces and can be used in luminaires for the bacteriological sanitization of:

- offices and schools
- waiting rooms
- medical studios
- bars and restaurants
- shopping malls and stores
- gyms
- beauty salons and wellness centres
- hotels



**Ultraviolet germicidal irradiation**

Ultraviolet radiation (UV) is that portion of the electromagnetic spectrum that goes from the lower wavelength limit of the visible light to the upper wavelength limit of X rays.

Ultraviolet radiation has a wavelength between 100 and 400 nm (1 nm = 10<sup>-9</sup> m) and is not visible to the naked eye.

The UV spectrum is divided into three sub-regions:

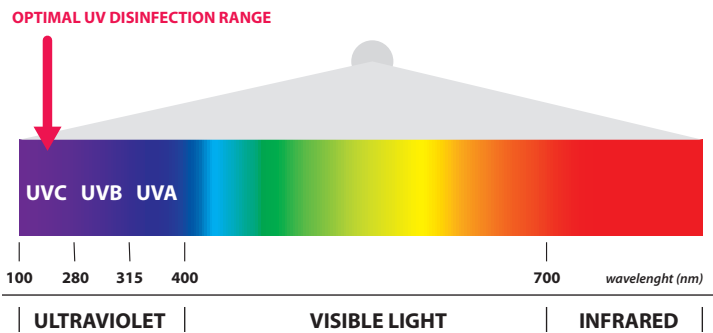
- UV-A (long wavelength) from 315 to 400 nm
- UV-B (medium wavelength) from 280 to 315 nm
- UV-C (short wavelength) from 100 to 280 nm

The portion of the UV spectrum (the “germicidal range”) that is important for disinfection purposes is the range absorbed by DNA (RNA in some viruses). This germicidal range is approximately 200 - 300 nm, with a peak of germicidal effectiveness at about 265 nm. The absorption of UV radiation by the DNA chain of pathogenic microorganisms provokes the destruction of a link in the chain, hence inhibiting DNA replication.

Thanks to the filtering action of the Earth’s atmosphere, most UV in nature is UV-A, a very small portion is UV-B, and UV-C rays are practically absent.

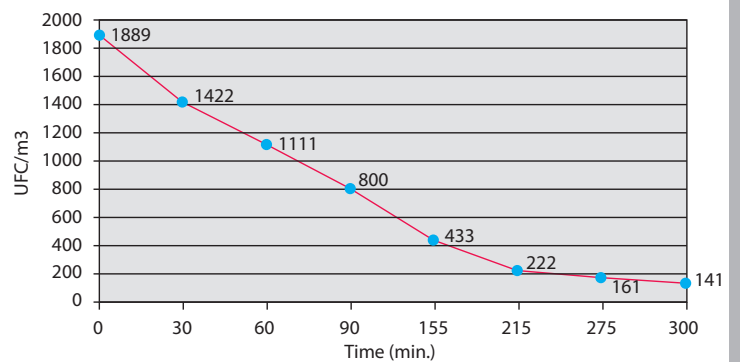
The **UV-A** light modules are less aggressive than the UV-C modules and require longer sanitization time. It is therefore necessary to control ON/OFF times based on the absence/presence of people in the room. For example: sanitization can be carried out at night, on weekends, on holidays, on certain weekdays, when certain areas are closed.

The **UV-C** light modules are more aggressive than UV-A modules and allow shorter sanitization time. We recommend equipping the system with “absence devices” (sensors or smart technology) so that the UV-C modules will activate only when nobody is in the room.



*UV band eliminates bacteria, viruses, fungi, spores, moulds and mites, destroying the DNA and inhibiting its replication and proliferation.*

*UV technology is a physical disinfection method with an excellent cost-benefit ratio, it is ecological and, unlike chemical agents, it works against all microorganisms without creating resistance.*



*Reduction of microbial load over a period of time after the UV-C luminaire is switched on*

**MAIN ADVANTAGES OF UV**

**EFFECTIVE**

Kills 99.9% of microorganisms

**FAST**

Extremely fast sanitization time

**EASY TO USE**

Night-time use and in the absence of people

**LOW-COST**

Considerable saving of time and disinfectants

**ECOLOGICAL**

Does not interact with foreign bodies and does not require additives that may not be biodegradable





Vision 2.0	p. 316
Themis	p. 320
Stilo	p. 324



Bell - Decor Line	p. 326
Slim 3	p. 330
Venere	p. 334



Slimcover	p. 338
Cover Light	p. 339
Ines	p. 340
Curve	p. 341
CurveLine	p. 342
Taco	p. 343
V Moon	p. 343



Buddy	p. 344
Roby 2.0	p. 345
Solus	p. 345
Flat	p. 346
Hecto	p. 346
Tile	p. 347
Vertical Line	p. 347



Cortesia	p. 348
Mistral	p. 348
Pathway	p. 350
Anello	p. 351
Domitilla	p. 351



Cosmic	p. 352
Mini Pastilla	p. 354
Pastilla	p. 356
Tortuga	p. 362



Argon	p. 364
Lucente	p. 366



Sevilla	p. 370
---------	--------



**Housing:** die-cast aluminium with cooling vents.

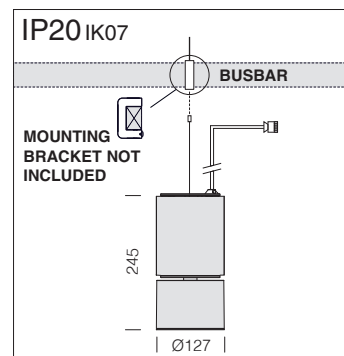
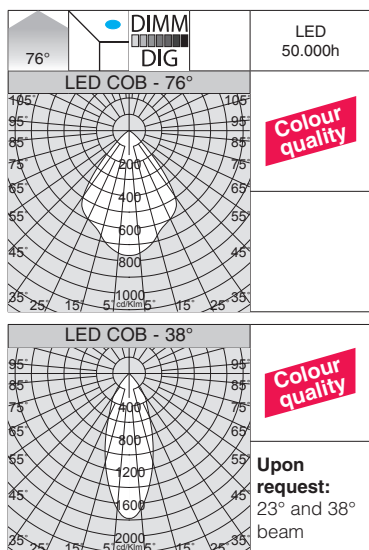
**Reflector:** in polished aluminium, high efficiency and anti-glare.

**Coating:** Power-coated with a UV-resistant polyester epoxy paint.

**Regulations:** Manufactured in accordance with EN 60598-1-CEI 34.21 standards. Degrees of protection in accordance with EN60529 standards.

**LED:** high-efficiency light sources (CRI>90).

**Upon request:** version with CA-SAMBI automation lighting control system. For further information see chapter *Technical components*.



**Equipment:** complete with suspension and safety cable (L=1.20 m) with jamming cord grip for mounting bracket (not included) and electrical cable with connecting plug.

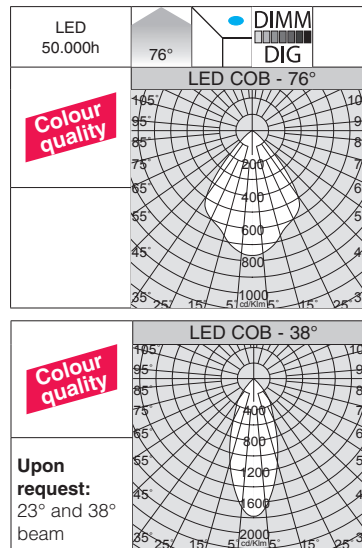
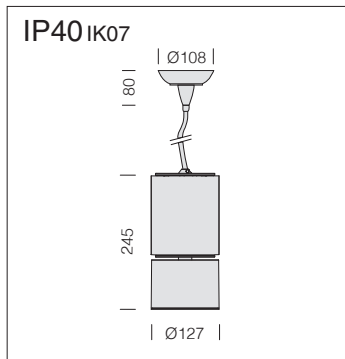
**Vision 2.0 big L - sospensione for busbar**

		CLD		CLD D-DIG (DALI)		LUMEN OUTPUT (tq= 25 °C)	
LED	colour	weight	code	code	W tot	K - ølm - CRI - degrees	
COB	white	3,00	22703314-00	22703314-1241	53	3000K - 5217lm - CRI>90 - 76°	
	black		22703334-00	22703334-1241			
	m. silver		22703374-00	22703374-1241			
COB	white	3,00	22703315-00	22703315-1241	53	4000K - 5592lm - CRI>90 - 76°	
	black		22703335-00	22703335-1241			
	m. silver		22703375-00	22703375-1241			

**Upon request** version with emergency wiring with centralized power supply **CLD-EC** with **sub-code -0050**.



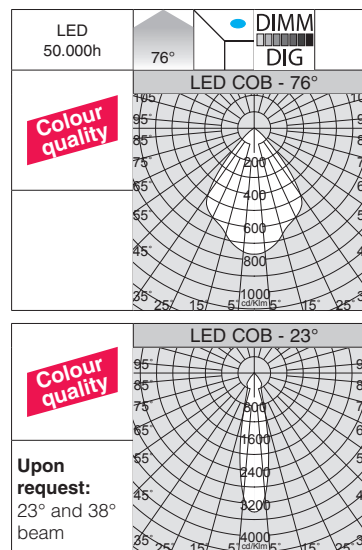
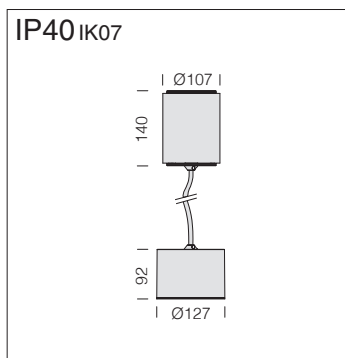
Honeycomb screen	
x small	22005130-00
x big	22005131-00
To reduce glare	



**Standard supply:** supplied with suspension cable (L=2,50m) and ceiling rose.

**LED:** luminous flux maintenance 80%: 50.000h (L80B20). Power factor >0.95.

Vision 2.0 big L - suspension with base						
LED	colour	weight	CLD code	CLD D-DIG (DALI) code	W tot	LUMEN OUTPUT (tq= 25 °C) K - ølm - CRI - degrees
COB	white	3,00	22703310-00	22703310-1241	53	3000K - 5217lm - CRI>90 - 76°
	black		22703330-00	22703330-1241		
	m. silver		22703370-00	22703370-1241		
COB	white	3,00	22703311-00	22703311-1241	53	4000K - 5592lm - CRI>90 - 76°
	black		22703331-00	22703331-1241		
	m. silver		22703371-00	22703371-1241		



**Standard supply:** supplied with suspension cable (L=2,50m).

**LED:** luminous flux maintenance 80%: 50.000h (L80B20). Power factor >0.95.

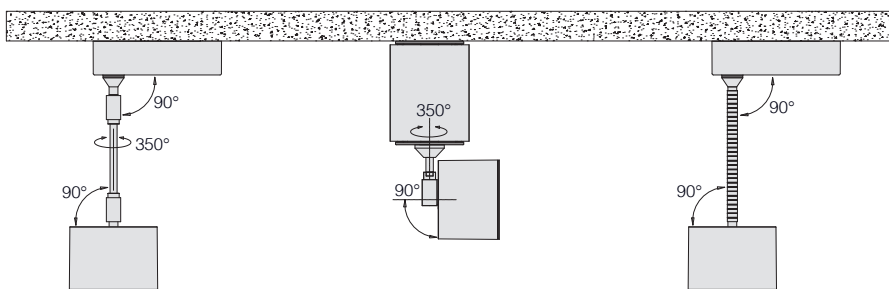
Vision 2.0 big C - suspension						
LED	colour	weight	CLD code	CLD D-DIG (DALI) code	W tot	LUMEN OUTPUT (tq= 25 °C) K - ølm - CRI - degrees
COB	white	1,00	22703312-00	22703312-1241	39	3000K - 3761lm - CRI>90 - 76°
	black		22703332-00	22703332-1241		
	m. silver		22703372-00	22703372-1241		
COB	white	1,00	22703313-00	22703313-1241	39	4000K - 4073lm - CRI>90 - 76°
	black		22703333-00	22703333-1241		
	m. silver		22703373-00	22703373-1241		

Honeycomb screen	
x small	22005130-00
x big	22005131-00
To reduce glare	

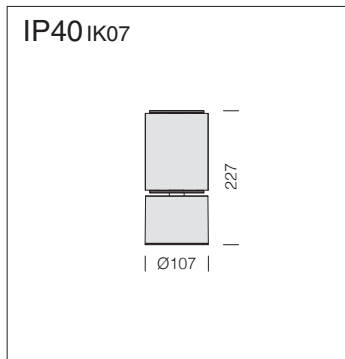




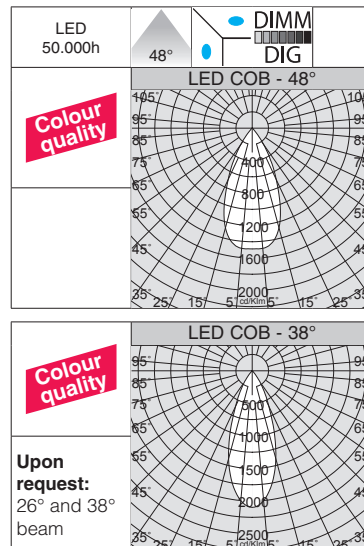
Upon request, special versions with base + support rods or Flex tube are available. Easily surface-mounted, these versions are ideal for retail, architectural and museum lighting applications. Thanks to the swivelling luminaire, you will be able to enhance any type of interior design.





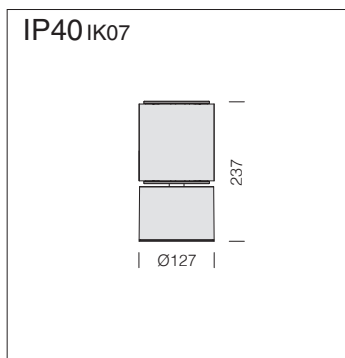


**LED:** luminous flux maintenance 80%: 50.000h (L80B20).  
Power factor >0.95.

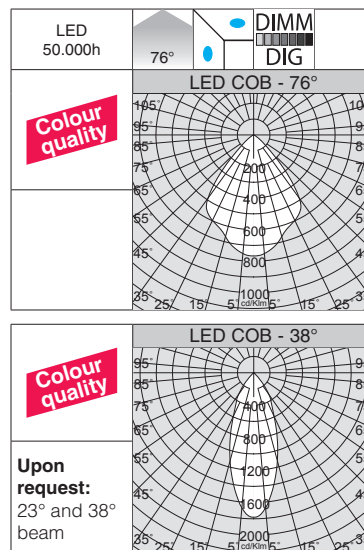


new

Vision 2.0 small - ceiling						
LED	colore	weight	CLD code	CLD D-DIG (DALI) code	W tot	LUMEN OUTPUT (tq= 25 °C) K - ølm - CRI - degrees
COB	white	1,65	22802010-00	22802010-1241	34	3000K - 3631lm - CRI 92 - 48°
	black		22802030-00	22802030-1241		
	m. silver		22802070-00	22802070-1241		
COB	white	1,65	22802010-68	22802010-6841	34	4000K - 3822lm - CRI 92 - 48°
	black		22802030-68	22802030-6841		
	m. silver		22802070-68	22802070-6841		



**LED:** luminous flux maintenance 80%: 50.000h (L80B20).  
Power factor >0.95.



new

Vision 2.0 big L - ceiling						
LED	colore	weight	CLD code	CLD D-DIG (DALI) code	W tot	LUMEN OUTPUT (tq= 25 °C) K - ølm - CRI - degrees
COB	white	2,15	22802110-00	22802110-1241	39	3000K - 3761lm - CRI>90 - 76°
	black		22802130-00	22802130-1241		
	m. silver		22802170-00	22802170-1241		
COB	white	2,15	22802110-68	22802110-6841	39	4000K - 4073lm - CRI>90 - 76°
	black		22802130-68	22802130-6841		
	m. silver		22802170-68	22802170-6841		

Honeycomb screen	
x small	22005130-00
x big	22005131-00
To reduce glare	



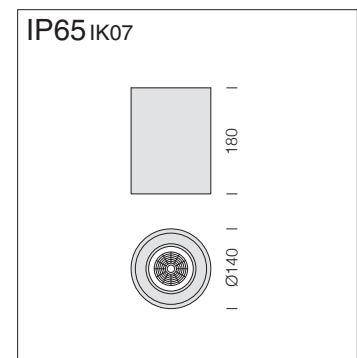
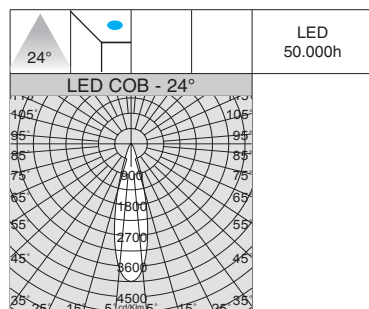


Themis stands out for its simple design and high-quality lighting output delivered by latest generation LED sources. Studied to deliver direct lighting, it is equipped with a highly efficient reflector (adjustable) or with lenses to enhance the light beam. Designed to be easily installed inside ceilings thanks to its mounting bracket, it is capable of illuminating full and empty spaces, bringing out all the potential of architectonic details and giving rhythm and colour to important interiors.

**Housing:** made of die-cast aluminium with clear polycarbonate diffuser.

**Standard supply:** ceiling version supplied with bracket for installation; suspension version supplied with suspension cable (L=1,70m) and ceiling rose.

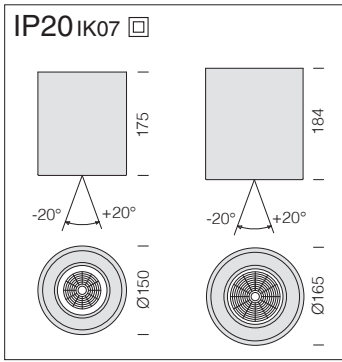
**Upon request:** version with CA-SAMBI automation lighting control system. For further information see chapter *Technical components*.



**Reflector:** high-efficiency metallised polycarbonate.

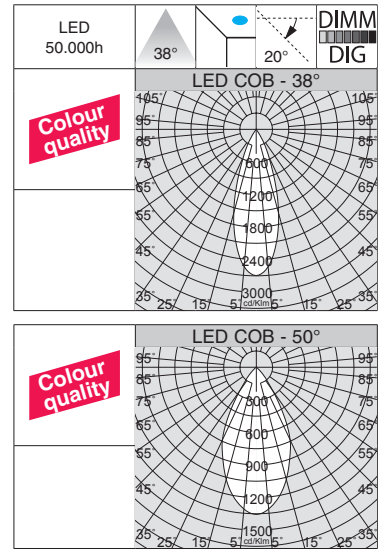
**LED:** luminous flux maintenance 80%: 50.000h (L80B20). Power factor  $\geq 0,9$ .

Themis R140 - IP65 - fixed with optic					
LED		colour	weight	CLD	LUMEN OUTPUT (tq= 25 °C)
				code	K - ølm - CRI - degrees
COB	white	1,80	22071710-68	24	4000K - 2550lm - CRI>80 - 24°
	grey		22071770-68		



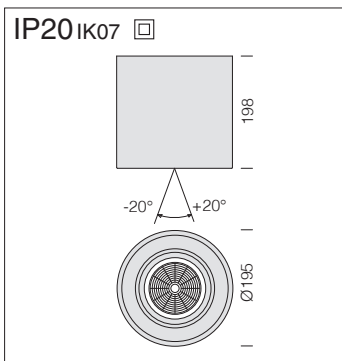
**Reflector:** high-efficiency metallised polycarbonate.

**LED:** luminous flux maintenance 80%: 50.000h (L80B20).  
Power factor  $\geq 0,9$ .



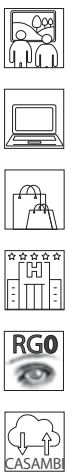
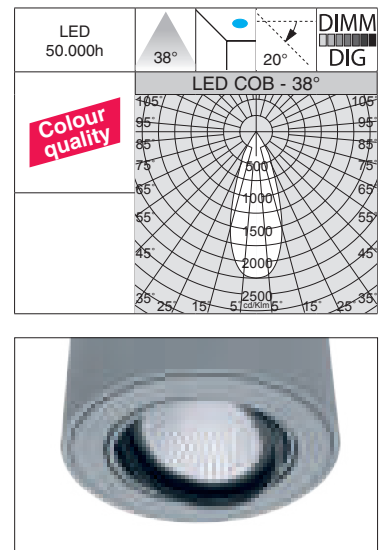
Themis R150 - adjustable with optic						
LED	colour	weight	CLD code	CLD D-DIG (DALI) code	W tot	LUMEN OUTPUT (tq= 25 °C) K - ølm - CRI - degrees
COB	white	0,90	22071010-00	22071010-1241	24	3000K - 1819lm - CRI>90 - 50°
	grey		22071070-00	22071070-1241		
COB	white	0,90	22071010-68	22071010-6841	24	4000K - 1946lm - CRI>90 - 50°
	grey		22071070-68	22071070-6841		

Themis R165 - adjustable with optic						
LED	colour	weight	CLD code	CLD D-DIG (DALI) code	W tot	LUMEN OUTPUT (tq= 25 °C) K - ølm - CRI - degrees
COB	white	1,20	22071110-00	22071110-1241	33	3000K - 2515lm - CRI>90 - 38°
	grey		22071170-00	22071170-1241		
COB	white	1,20	22071110-68	22071110-6841	33	4000K - 2691lm - CRI>90 - 38°
	grey		22071170-68	22071170-6841		

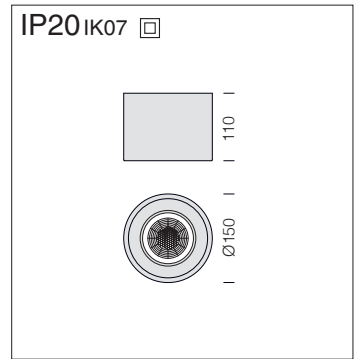
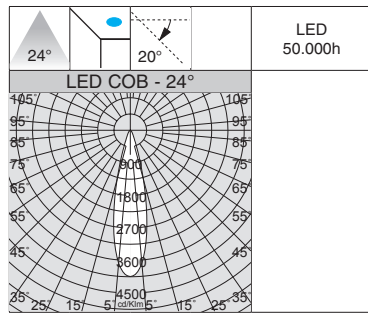


**Reflector:** high-efficiency metallised polycarbonate.

**LED:** luminous flux maintenance 80%: 50.000h (L80B20).  
Power factor  $\geq 0,9$ .



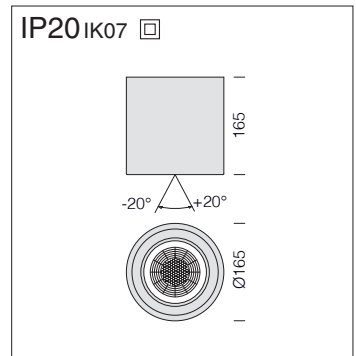
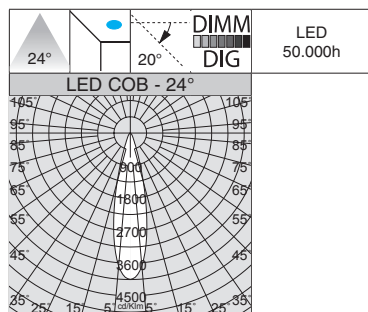
Themis R195 - adjustable with optic						
LED	colour	weight	CLD code	CLD D-DIG (DALI) code	W tot	LUMEN OUTPUT (tq= 25 °C) K - ølm - CRI - degrees
COB	white	1,60	22071210-00	22071210-1241	40	3000K - 3100lm - CRI>90 - 38°
	grey		22071270-00	22071270-1241		
COB	white	1,60	22071210-68	22071210-6841	40	4000K - 3300lm - CRI>90 - 38°
	grey		22071270-68	22071270-6841		



**Lens:** faceted, with high efficiency output and very low glare rate.

**LED:** luminous flux maintenance 80%: 50.000h (L80B20). Power factor  $\geq 0,9$ .

Themis L150 - fixed with lens						
LED		CLD		LUMEN OUTPUT (tq= 25 °C)		
colour	weight	code		W tot	K - ølm - CRI - degrees	
COB	white	0,80	22071510-00		25	3000K - 2442lm - CRI 85 - 24°
	grey		22071570-00			

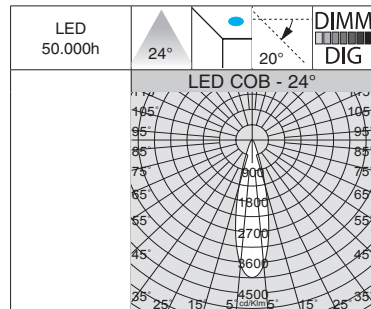
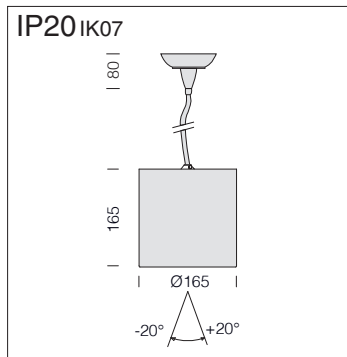


**Lens:** faceted, with high efficiency output and very low glare rate.

**LED:** luminous flux maintenance 80%: 50.000h (L80B20). Power factor  $\geq 0,9$ .



Themis L165 - adjustable with lens							
LED		CLD		CLD D-DIG (DALI)		LUMEN OUTPUT (tq= 25 °C)	
colour	weight	code		code		W tot	
COB	white	1,00	22071310-00		22071310-1241		25
	silver		22071370-00		22071370-1241		
COB	white	1,00	22071310-68		22071310-6841		25
	silver		22071370-68		22071370-6841		

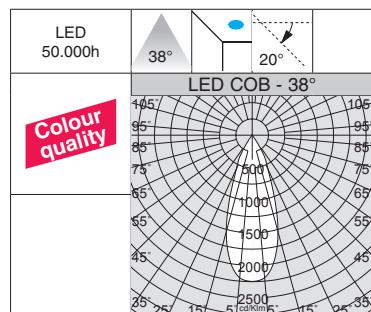
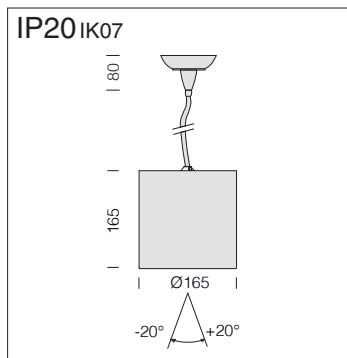


**Standard supply:** supplied with suspension cable (L=1,70m) and ceiling rose.

**LED:** luminous flux maintenance 80%: 50.000h (L80B20). Power factor  $\geq 0,9$ .

**Themis L165 - adjustable - suspension with lens**

		CLD		CLD D-DIG (DALI)		LUMEN OUTPUT (tq= 25 °C)	
LED	colour	weight	code	code	W tot	K - ølm - CRI - degrees	
COB	white	1,25	22071410-00	22071410-1241	25	3000K - 2442lm - CRI 85 - 24°	
	silver		22071470-00	22071470-1241			
COB	white	1,25	22071410-68	22071410-6841	25	4000K - 2613lm - CRI 85 - 24°	
	silver		22071470-68	22071470-6841			



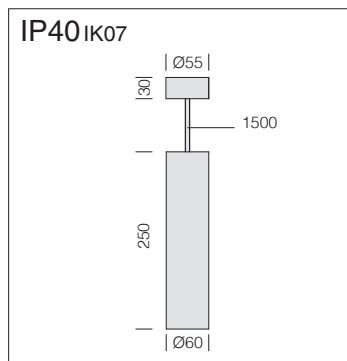
**Standard supply:** supplied with suspension cable (L=1,70m) and ceiling rose.

**LED:** luminous flux maintenance 80%: 50.000h (L80B20). Power factor  $\geq 0,9$ .

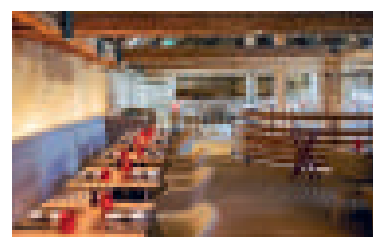
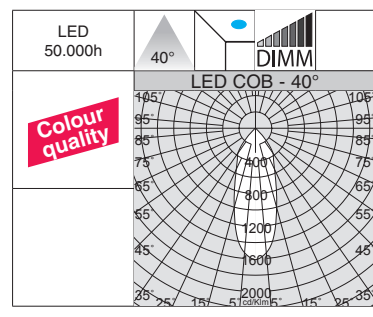
**Themis R165 - adjustable - suspension with optic**

		CLD		CLD D-DIG (DALI)		LUMEN OUTPUT (tq= 25 °C)	
LED	colour	weight	code	code	W tot	K - ølm - CRI - degrees	
COB	white	1,25	22071610-00	22071610-1241	33	3000K - 2515lm - CRI>90 - 38°	
	silver		22071670-00	22071670-1241			
COB	white	1,25	22071610-68	22071610-6841	33	4000K - 2691lm - CRI>90 - 38°	
	silver		22071670-68	22071670-6841			



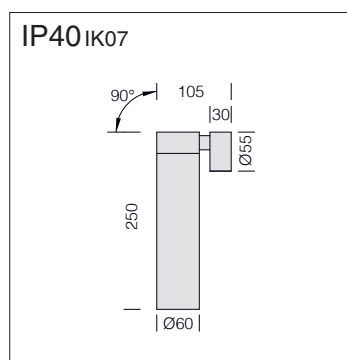


**Housing:** in treated aluminium.  
Cable length 1.5m.  
**Upon request:** in other colours.  
**LED:** luminous flux maintenance 80%: 50.000h (L80B20).

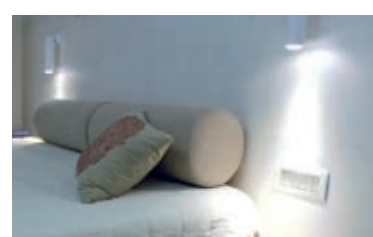
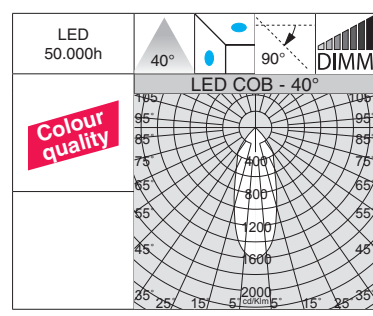


- 
- 
- 
- 
- 

Stilo SP2 - suspension						
LED	colour	weight	CLD code	CLD-D (IGBT) code	W tot	LUMEN OUTPUT (tq= 25 °C)
COB	white	0,80	22041811-00		10	3000K - 893lm - CRI>90 - 40°
	black		22041831-00			
	chrome		22041861-00			
COB	white	0,80		22041810-00	10	3000K - 893lm - CRI>90 - 40°
	black			22041830-00		
	chrome			22041860-00		



**Housing:** in treated aluminium.  
**Upon request:** in other colours.  
**LED:** luminous flux maintenance 80%: 50.000h (L80B20).



- 
- 
- 
- 
- 

Stilo PA2 - adjustable base						
LED	colour	weight	CLD code	CLD-D (IGBT) code	W tot	LUMEN OUTPUT (tq= 25 °C)
COB	white	0,80	22041911-00		10	3000K - 893lm - CRI>90 - 40°
	black		22041931-00			
	chrome		22041961-00			
COB	white	0,80		22041910-00	10	3000K - 893lm - CRI>90 - 40°
	black			22041930-00		
	chrome			22041960-00		



Brighten your home, restaurant or store with our assortment of suspension Bell - Decor Line fixtures available in different designs and colours. Bell is an easy-to-mount suspension luminaire ideal for any setting; extremely versatile, it can serve as an aesthetic finishing element. With these products, that combine style with functionality, the only thing left to do is choose the right LED to use.

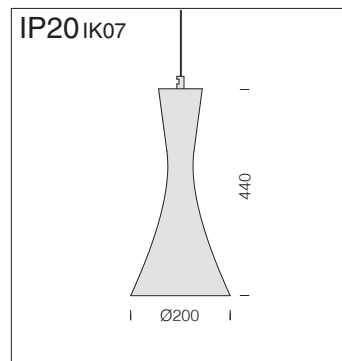
As standard, the fixture is designed to fit LED lamp with **E27** connector.



- Incandescent-like colour, soft light in 2200K-2700K.
- Energy-saving, long life.
- Warm soft light in the same bulb shapes and sizes as incandescent fixtures.
- Mercury-free, in compliance with RoHS material restriction requirements.
- Applications: ideal for general ambient lighting in offices, conference rooms, restaurants, coffee shops, super markets, hotels and homes.







**Housing/diffuser:** sheet steel.

**Equipment:** complete with base and cable for suspension (cable length 1.50m max).

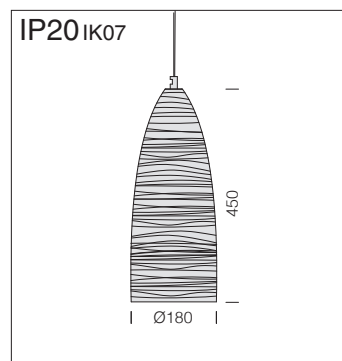


Bell A - DECOR LINE - suspension			
LED	S		
LED	colour	lampholder	code
	gold	E27	22222690-00
	copper		22222680-00
	black		22222631-00
	black/orange		22222632-00
	white/aquamarine		22222611-00

As standard, the fixture is designed to fit LED lamp with **E27** connector.



**Upon request:** versions available in different colours and surface finishes to coordinate with any architectural design (es. white cod. 22222610-00, sapphire blue, orange, dove grey).



**Housing/diffuser:** die-cast aluminium.

**Equipment:** complete with base and cable for suspension (cable length 1.50m max).

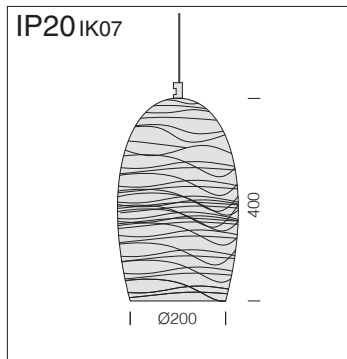


Bell B - DECOR LINE - suspension			
LED	S		
LED	colour	lampholder	code
	white	E27	22222710-00
	gold		22222790-00
	copper		22222780-00
	black/orange		22222732-00
	dove grey		22222770-00

As standard, the fixture is designed to fit LED lamp with **E27** connector.



**Upon request:** versions available in different colours and surface finishes to coordinate with any architectural design (es. black cod. 22222731-00, sapphire blue, white/aquamarine, orange).



**Housing/diffuser:** die-cast aluminium.

**Equipment:** complete with base and cable for suspension (cable length 1.50m max).

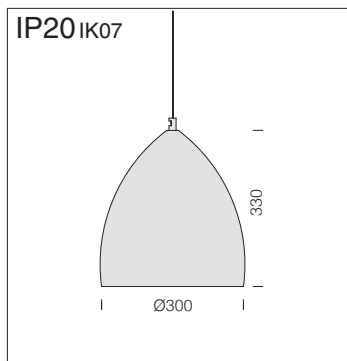
As standard, the fixture is designed to fit LED lamp with **E27** connector.



Bell C - DECOR LINE - suspension			
		S	
LED	colour	lampholder	code
LED	white	E27	22222810-00
	gold		22222890-00
	copper		22222880-00
	black/orange		22222832-00
	dove grey		22222870-00



**Upon request:** versions available in different colours and surface finishes to coordinate with any architectural design (es. black cod. 22222831-00, sapphire blue, white/aquamarine, orange).



**Housing/diffuser:** sheet steel.

**Equipment:** complete with base and cable for suspension (cable length 1.50m max).

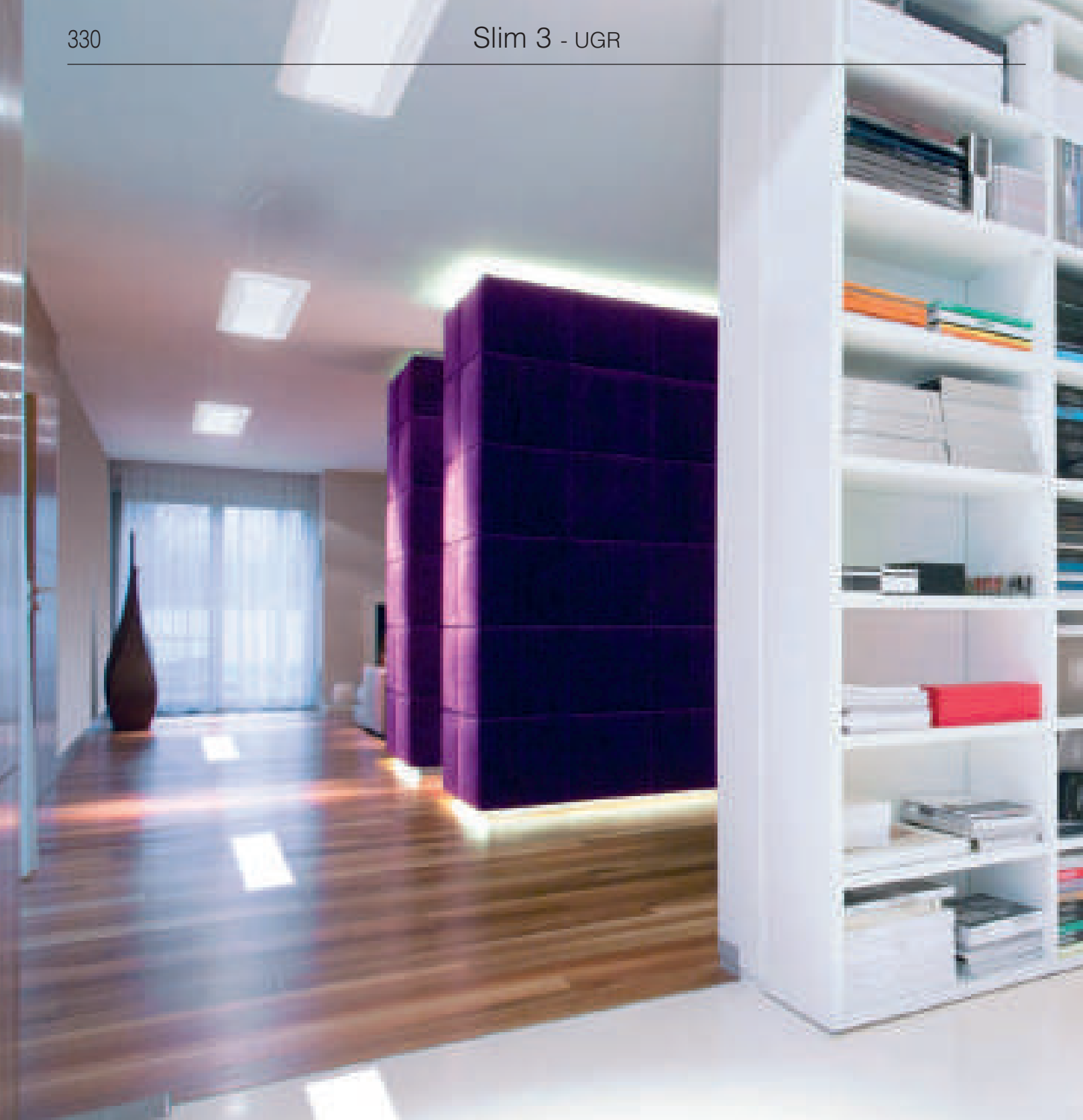
As standard, the fixture is designed to fit LED lamp with **E27** connector.



Bell D - DECOR LINE - suspension			
		S	
LED	colour	lampholder	code
LED	gold	E27	22222990-00
	copper		22222980-00
	black		22222931-00
	black/orange		22222932-00
	white/aquamarine		22222911-00



**Upon request:** versions available in different colours and surface finishes to coordinate with any architectural design (es. white cod. 22222910-00, sapphire blue, orange, dove grey).



With Slim, LED lighting makes a step forwards. With a simple form, which is the result of a complex design, Slim is an object full of technological innovation designed by Fosnova. It has the typical appeal of new design trends and the quality of industrial products: small, simple-to-use, versatile, and with technologically advanced performance. Instant start with no shimmer and absolutely silent operation. Energy saving of over 50% compared to traditional lights to fluorescent tubes. Efficiency of the LEDs (95%), overheating protection, current control and ability to work with stabilized voltages.

**Housing:** in aluminium.

**Inner slab:** in PMMA.

**Diffuser:** in prismatic engineering plastic with high thermal transmittance.

**UGR<19** (in any situation). EN 12464.

**LED:** luminous flux maintenance 80%: 50.000h (L80B20).  
Power factor  $\geq 0.95$

**Upon request:** version with CASAMBI automation lighting control system.  
For further information see chapter *Technical components*.

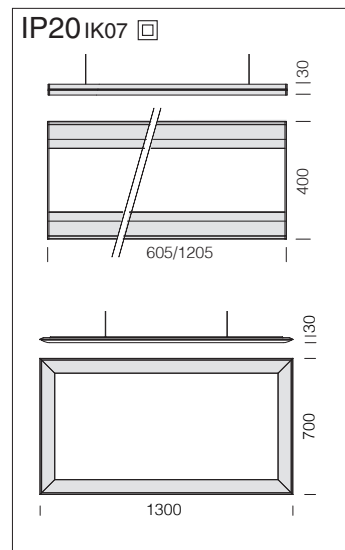
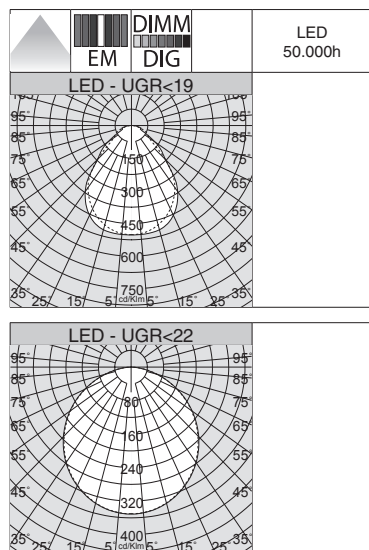


#### Classification of UGR values by applications

<b>UGR</b>	≤ 16	Very demanding applications (technical drawings)
	≤ 19	Offices and schools (reading, writing, business meetings, computer work)
	≤ 22	Industrial applications, craftsmen
	> 28	High glare

**The UGR** (unified glare rating) is an international unified measure developed by the CIE (Commission Internationale de l'Éclairage) to assess the direct glare generated by a lighting system. The European standard regulating the lighting of indoor work places (**UNI-EN 12464-1**) recommends a specific UGR value for different

applications ranging between **10 and 30; the lower the UGR value, the lower the glare**. The exact value of this index differs by project type because it depends on the position of the luminaires, room characteristics (dimensions, reflections) and on the point of observation of viewers.



**Slim 3 - UGR<19 - suspension**

LED		CLD		CLD-E		CLD D-DIG (DALI)		LUMEN OUTPUT (tq= 25 °C)		
colour	L (mm)	weight	code	code	code	W tot	K - ølm - CRI			
LED	white	605	5,70	22182818-39	22182818-0928	22182818-3941	20	3000K - 1953lm - CRI>80		
				22182818-00	22182818-09	22182818-1241		4000K - 2100lm - CRI>80		
LED	white	1205	6,70	22182814-39	22182814-0928	22182814-3941	34	3000K - 3353lm - CRI>80		
				22182814-00	22182814-09	22182814-1241		4000K - 3470lm - CRI>80		

Upon request: direct/indirect (3000K) light version.

**Slim 3 - UGR<22 - 1300x700 suspension**

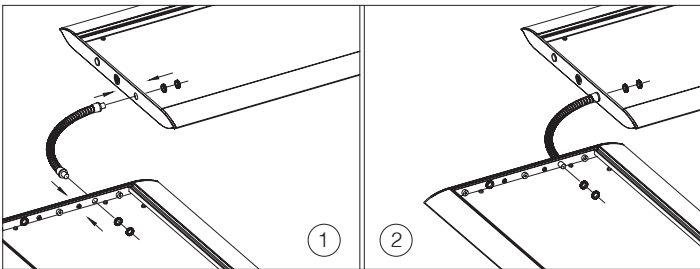
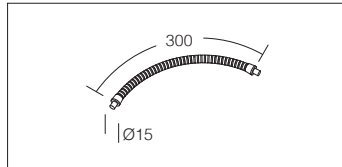
LED		CLD		LUMEN OUTPUT (tq= 25 °C)		
colour	L (mm)	weight	code	W tot	K - ølm - CRI	
LED	white	1300	11,50	22182815-00	73	4000K - 6880lm - CRI 83

Upon request: direct/indirect (3000K) light version.

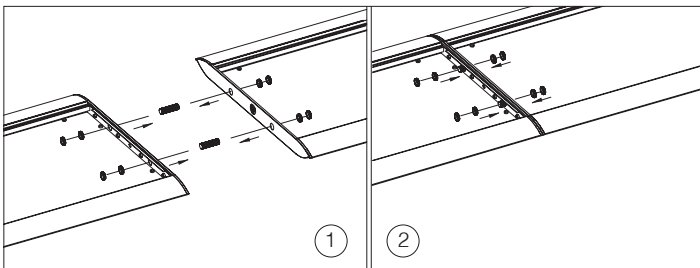
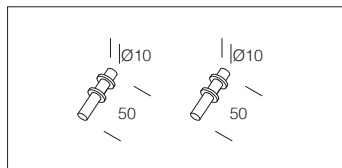
LED: luminous flux maintenance 80%: 50.000h (L80B20). Power factor ≥0.95

ALIGNMENT JOINTS

Flex angle joint	
30 cm	22022890-00
For continuous line and L- junctions of two fixtures.	



Linear joint	
steel	22022870-00
For continuous line and junction of two fixtures.	



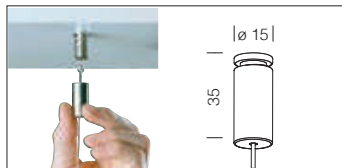
**SPECIAL VERSION**

**SPECIAL VERSION FOR CONTINUOUS LINE:**  
**central module** to order with subcode -0072

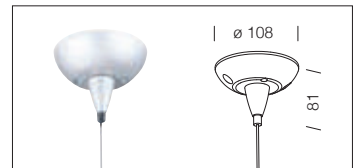
**SPECIAL VERSION FOR CONTINUOUS LINE:**  
**end module** to order with subcode -0086

SUSPENSION ACCESSORIES

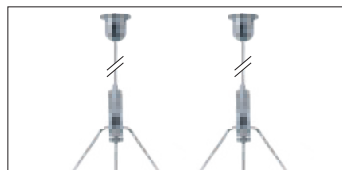
Simple suspension	
galvanised	22003166-00
Supplied with steel wire (L=1,75m) and millimetre adjustment device. Max load: 20 kg.	



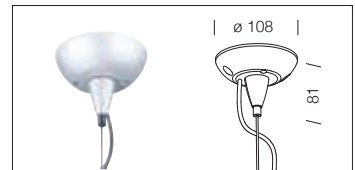
Simple suspension	
white	22003112-00
Complete with steel wire (L = 100cm) and millimetre adjustment device. Max load: 20 kg.	



Suspension with Y cable		
1pcs	steel	22003410-00
2pcs	steel	22003411-00
Kit supplied with Ø 1.5 mm steel cable (L=2 m standard). Load: max 15 kg.		



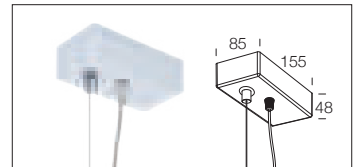
Powered suspension	
white	22003113-00
Supplied with steel wire (L = 100cm) and millimetre adjustment device and power cord. Max loading: 20Kg.	



Simple suspension with Y cable	
white	22003140-00
Kit supplied with Ø 1.5 mm steel cable (L=2 m standard). Load: max 15 kg.	

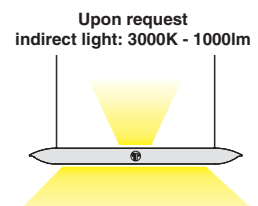
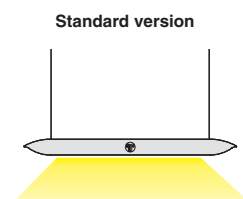
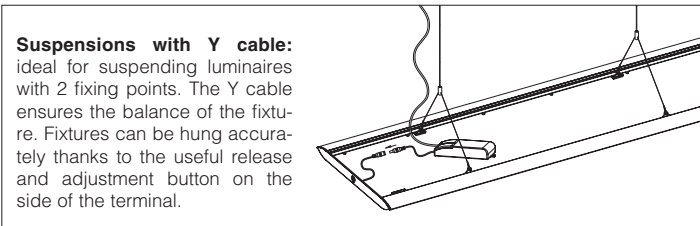
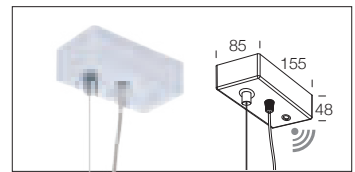


5P Powered suspension	
white	22003120-00
Supplied with steel wire (L = 100cm) and power cord. Max loading: 20Kg. For electric gear in <b>EM</b> and <b>DIMM DALI</b> versions.	



Powered suspension with Y cable	
white	22003149-00
Kit supplied with Ø 1.5 mm steel cable (L=2 m standard) and power cord. Load: max 15 kg.	

5P WIRELESS Powered suspension	
white	22003125-00
Supplied with steel wire (L = 100cm) and power cord. Max loading: 20Kg. For the <b>WIRELESS</b> management of <b>DIMM DALI</b> versions ( <b>Out DALI : Max 7mA</b> ).	





“Venere” is a large suspension/ceiling lamp made of plastic. Designed for use with new LED technologies.

Available in semi-clear material for interior lighting applications.

“Venere” is an original lighting system that offers different applications, including “chromotherapy”.

“Venere” is a highly striking and efficient luminaire that is particularly ideal for use in public places, where next to white light, which is more suitable for use during the day, LED and RGB LED lights offer a wide range of colour schemes that create sophisticated atmospheres according to the time of day and night.





**External housing:** in semi-opal polyethylene.

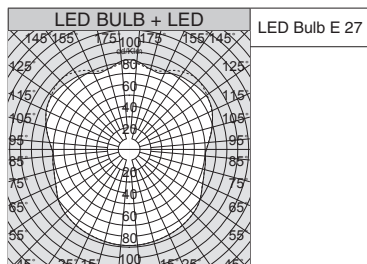
**Internal reflector:** made of V2 shatterproof and self-extinguishing clear polycarbonate, with anti-glare micro frosted finish. Prismatic on the inside for improved light control, UV stabilized. Scratch-resistant coating.

**Equipment:** can be fixed directly onto the ceiling.

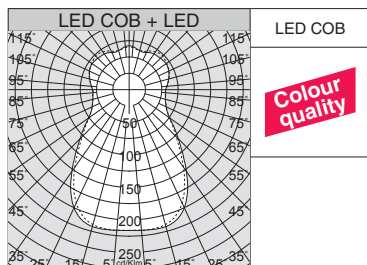
**Available Upon request:** double socket-pin terminal block for dual switching.

**Standard:** version with CASAMBI automation lighting control system.

For further information see chapter *Technical components*.

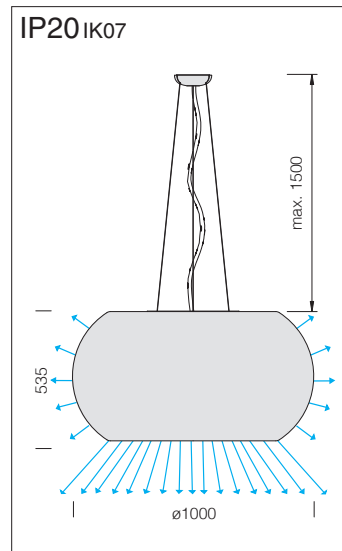


LED Bulb E 27

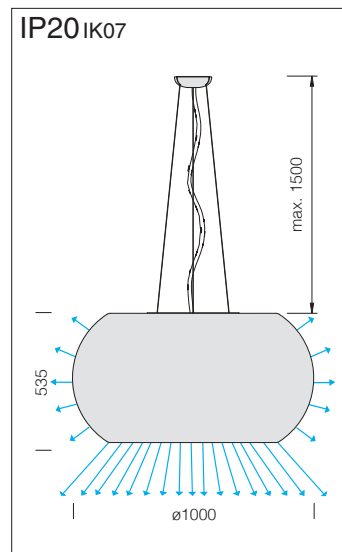
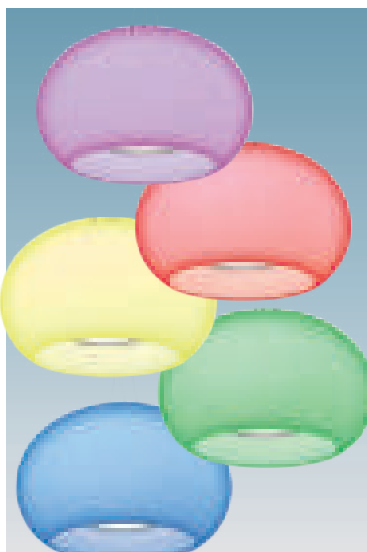


LED COB

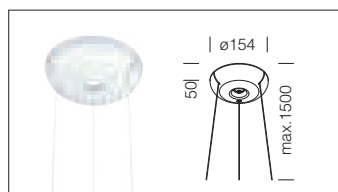
Colour quality



Venere - LED + Strip LED white color changing						
LED	colour	weight	CLD CASAMBI		LUMEN OUTPUT (tq= 25 °C)	
			code	W tot	K - ølm - CRI	
LED Bulb + LED Strip	white	15,00	22212911-00	65	LED Bulb	3000K - 1055lm - CRI>80
					LED Strip	3000K - 1650lm - CRI>80
					LED Strip	4000K - 1375lm - CRI>80 6000K - 1350lm - CRI>80
LED COB + LED Strip	white	15,00	22212712-00	94	LED COB	3000K - 5000lm - <b>CRI&gt;90</b>
					LED Strip	3000K - 1650lm - CRI>80
					LED Strip	4000K - 1375lm - CRI>80 6000K - 1350lm - CRI>80



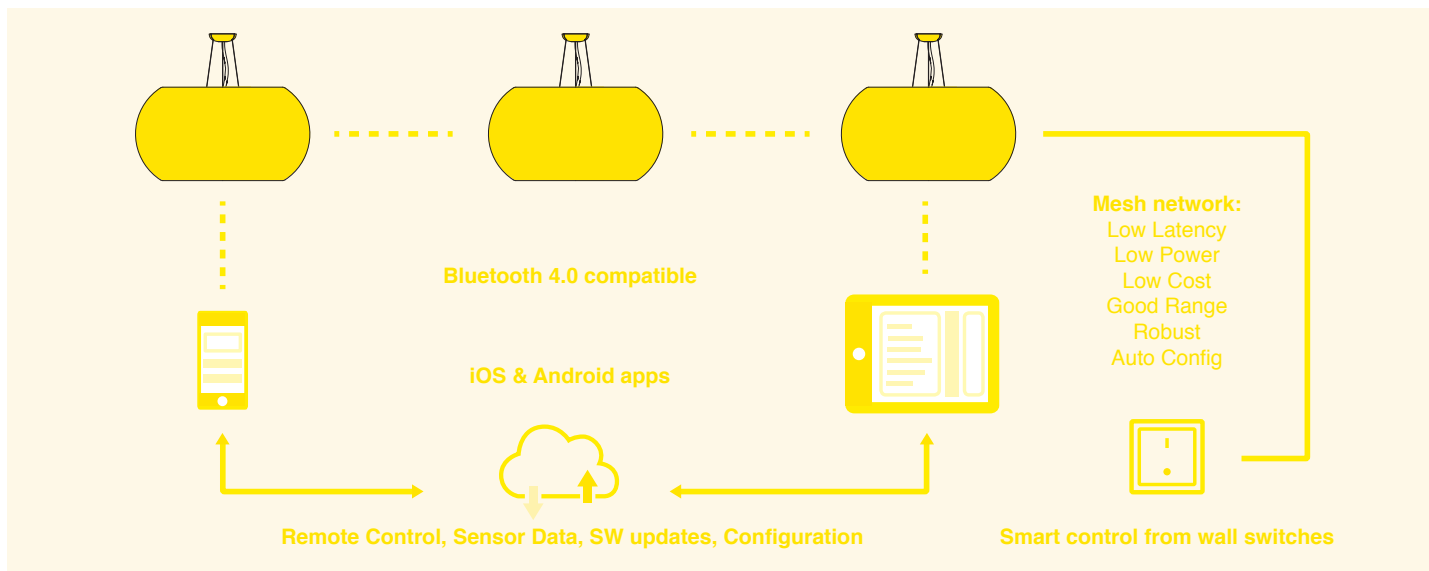
Venere - LED + LED RGBW						
LED	colour	weight	CLD CASAMBI		LUMEN OUTPUT (tq= 25 °C)	
			code	W tot	K - ølm - CRI	
LED Bulb + LED RGBW	white	14,20	22212910-00	67	LED Bulb	3000K - 1055lm - CRI>80
					LED RGBW	RGB+W (4000K - 1100lm)
LED COB + LED RGBW	white	14,20	22212710-00	96	LED COB	3000K - 5000lm - <b>CRI&gt;90</b>
					LED RGBW	RGB+W (4000K - 1100lm)



Suspension	
white	22003265-00
With three steel cables.	

CASAMBI SYSTEM

Casambi is an advanced automation lighting control system, the simplest and natural way to control your own lamps. It is a **bluetooth low energy (BLE)**. It is a bluetooth low energy (BLE) solution. BLE is a latest generation wireless technology and the only low-voltage wireless. Thanks to the intuitive simplicity of the app anyone can create and manage a lighting network singlehandedly by controlling every fixture individually or in groups depending on the needs and the functions required, using a smart phone or any other mobile device. Casambi technology can be integrated into luminaires, LED-drivers and even within LED-modules or bulbs, creating an optimal solution in terms of ease of installation and functionality with minimal additional hardware and deployment costs.



MAIN FEATURES

SMART

The Casambi devices are smart on their own. All the intelligence is replicated in each node leaving no single point of failure. The system itself is in constant consensus based synchronisation.

CONNECTED

The Casambi devices are connected when needed. An Internet connection is not necessary for general operation and day to day functionality. Bluetooth Low Energy is already implemented in smartphones and tablets, so communication can be done without any additional gateways.

USER FRIENDLY

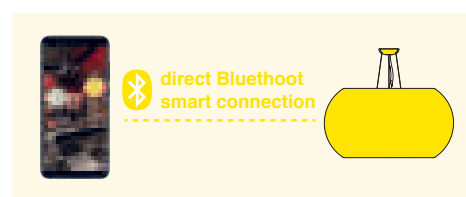
The system is intuitive. When connecting for the first time nodes are automatically pairing. The system can be used and modified by anyone, no commissioning experts are needed.

WIRELESS & BLUETOOTH LOW ENERGY

The Casambi network is based on the Bluetooth Low Energy protocol, which is the most energy efficient and future proof of wireless technologies. The low energy functionality of BLE allows developers to make products that run on small coin cell batteries or energy-harvesting devices, making BLE the best protocol to be used in wireless lighting control applications.

NO GATEWAYS

BLE was built for Internet of Things (IoT) and has been implemented in all modern smartphones, tablets and even smart watches since the beginning of 2012. This means that no gateway modules or any kind of dongle is needed to control lighting via BLE, which makes a BLE-based lighting control solution more cost effective than solutions built on other wireless technologies.



NETWORK STRUCTURE

The Casambi solution is based on a network structure. Casambi units are paired to networks. 127 units can be paired to one network. All the units that are physically in the same area, that the user want to access at the same time or that should have the same functionality at the same time should be paired to the same network. A network should cover an area that all the users in that area are allowed to control as the access rights are defined per whole network.

COMMUNICATION

All Casambi units form a wireless mesh network. The mesh network contains an algorithm that drives towards a consensus state between each participant. Once consensus is reached the communication will stop. If a unit goes offline it is no longer considered to be part of the consensus group but once it comes back online it will join the group again and catch up with others. In this way the casambi network is more like a consensus based synchronisation engine, rather than a classic mesh network. The communication range between two Casambi units is highly dependant on the surrounding and obstacles, such as walls and building materials. In indoor environments the range can be up to 30 m and in outdoor conditions up to 50 m. It is recommended to make communication tests in environments with a lot of signal disturbing materials. Longer ranges can be achieved by using multiple Casambi units. **It is also important to consider that in the majority of applications either the user with a smart device or adjacent luminaires containing Casambi units are only ever 5 to 10 meters away from each other to provide excellent reliability in the communication network.**

APP AND FEATURES

With Casambi, lighting can be controlled via smartphones, tablets, smart watches, push buttons, switches or wireless switch. To access all the functionality of the Casambi networks an app is needed. The app can be downloaded for free from Apple App Store or Google Play Store with the name Casambi. The Casambi app is continuously update to maintain compatibility with operating systems.



- Turn on and off your luminaires
- Dim the lighting
- Group luminaires and turn on, o and dim the group as one
- Configure, save and recall scenes
- Configure, save and recall animations
- Fade time adjustments for scenes and animations
- Use the Timer to turn on and o scenes or animations based on time and date
- Adjust colours
- Adjust colour temperatures
- Use motion sensors
- Bluetooth signal strength for geo locationing
- Take pictures from your spaces or upload your lighting layout drawings and add lighting control directly to your picture
- Take sunrise and sunset into account while defining timers
- Get status information from the system
- Update the firmware over-the-air
- System functionality updates over-the-air
- Commissioning support within the app



A series of fixtures for interior wall mounting with energy saving lamps. Their extremely rapid and easy installation together with their simple yet elegant design, make this series of products ideal for offices, lobbies and open-space areas.

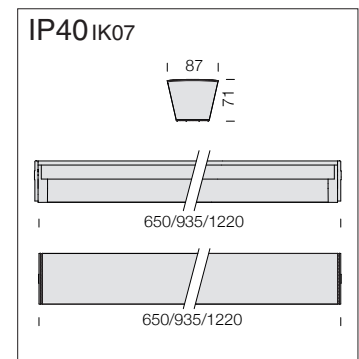
**Slimcover:** wall product characterized by luminous effects designed to fade the depth of a room. The light emitted by Slimcover products enables to play with space to create an optical depth which is different from the real dimensions of the space around. Simple shape, precious materials. Single lighting fixture. Suitable for installation in villas or luxury offices.

**Housing:** extruded aluminium

**LED:** luminous flux maintenance 80%: 50.000h (L80B20). Power factor >0.95.

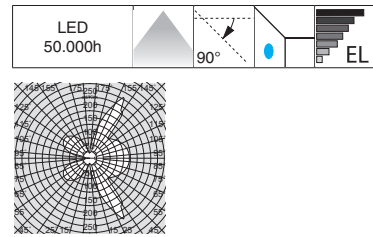
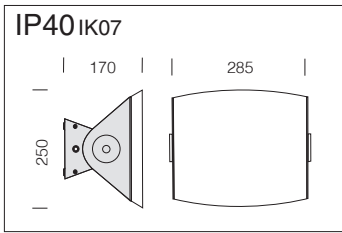
**Upon request:** version with CASAMBI automation lighting control system.

For further information see chapter *Technical components*.



Upon request: colored versions.

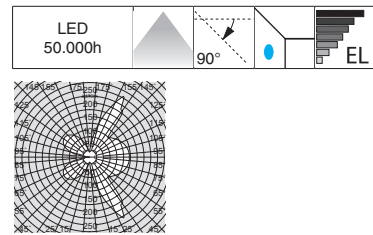
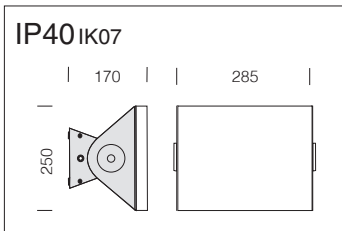
Slimcover White						
LED (700mA)	colour	CLD code	CLD D-E (1h) code	CLD D-DIG (DALI) code	W tot	LUMEN OUTPUT (tq= 25 °C) K - ølm (700mA) - CRI
LED 4 modules	white	22183710-00		22183710-1241	27	3000K - 1856lm - CRI>80
LED 6 modules		22183810-00		22183810-1241	41	3000K - 2784lm - CRI>80
LED 8 modules		22183910-00	22183910-94	22183910-1241	55	3000K - 3713lm - CRI>80



**Housing:** extruded aluminium.  
**Reflector:** adjustable angle matt opal polycarbonate diffuser.  
**LED:** luminous flux maintenance 80%: 50.000h (L80B20). Power factor >0.95.

Cover light 1 - round						
LED		colour	weight	code	W tot	LUMEN OUTPUT (tq= 25 °C)
LED 2 modules	white	1.50	22182011-00		10	3000K - 643lm - CRI>80
	silver		22182071-00			

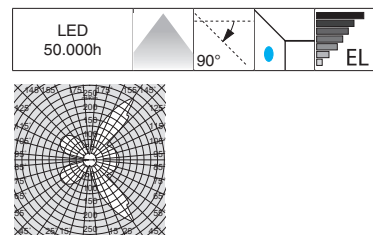
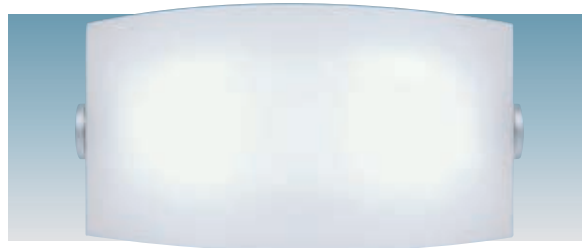
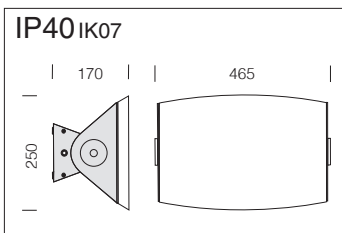
Upon request: Emergency version (3 hours).



**Housing:** extruded aluminium.  
**Reflector:** adjustable angle matt opal polycarbonate diffuser.  
**LED:** luminous flux maintenance 80%: 50.000h (L80B20). Power factor >0.95.

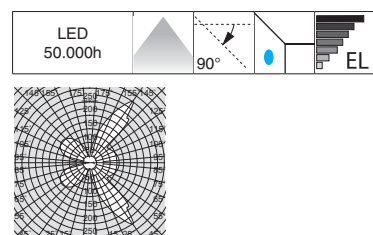
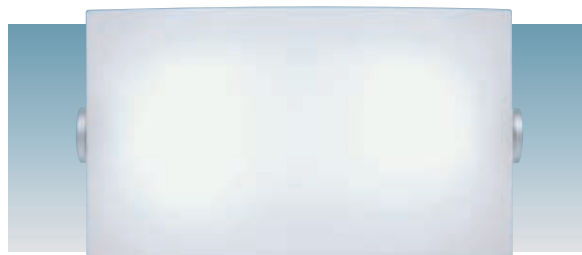
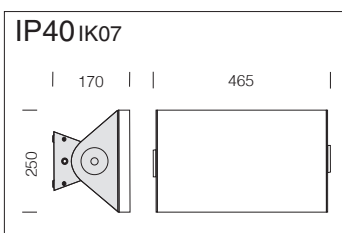
Cover light 2 - square						
LED		colour	weight	code	W tot	LUMEN OUTPUT (tq= 25 °C)
LED 2 modules	white	1.50	22182112-00		10	3000K - 643lm - CRI>80
	silver		22182172-00			

Upon request: Emergency version (3 hours).



**Housing:** extruded aluminium.  
**Reflector:** adjustable angle matt opal polycarbonate diffuser.  
**LED:** luminous flux maintenance 80%: 50.000h (L80B20). Power factor >0.95.

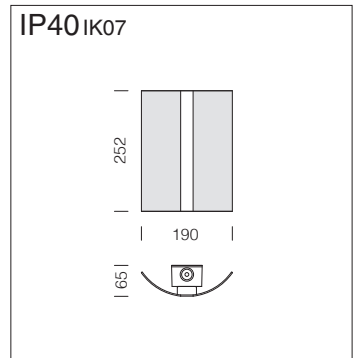
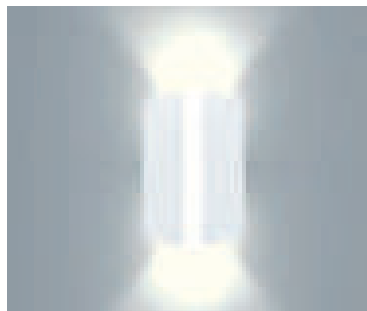
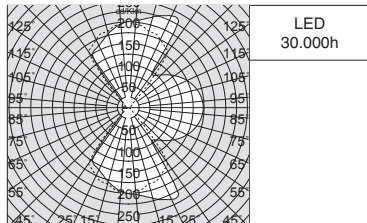
Cover light 3 - long round						
LED		colour	weight	code	W tot	LUMEN OUTPUT (tq= 25 °C)
LED 2 modules	silver	1.50	22182273-00		15	3000K - 1134lm - CRI>80



**Housing:** extruded aluminium.  
**Reflector:** adjustable angle matt opal polycarbonate diffuser.  
**LED:** luminous flux maintenance 80%: 50.000h (L80B20). Power factor >0.95.

Cover light 4 - long square						
LED		colour	weight	code	W tot	LUMEN OUTPUT (tq= 25 °C)
LED 2 modules	silver	1.50	22182274-00		15	3000K - 1134lm - CRI>80





Simple, elegant, Ines boasts great flexibility of use. Its refined design and light output create striking lighting effects suitable for any architectural context.

**Housing:** in aluminium complete with 2 LED sources with lens.

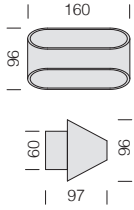
**Shield:** front shield in die-cast aluminium with matt white coating and non-transparent polycarbonate diffuser.

**LED:** luminous flux maintenance 70%: 30.000h (L70B50).

Ines					
		CLD		LUMEN OUTPUT (tq= 25 °C)	
LED	colour	weight	code	W tot	K - ølm - CRI
COB	white	0,80	22085010-00	14	3000K - 674lm - CRI>80



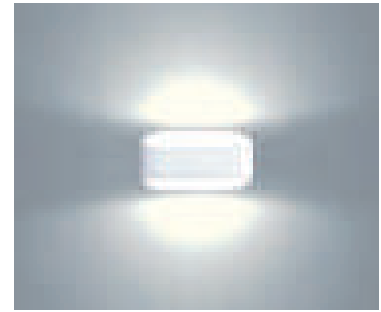
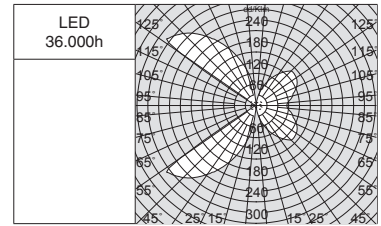
IP40IK07



Curve is an oval shape wall sconce with energy efficiency LED sources. Its design allows obtaining a soft, evenly distributed glow for direct or indirect lighting.

**Housing:** in painted aluminium, designed for wall-mounting.

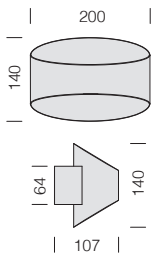
**LED:** luminous flux maintenance 70%: 36.000h (L70B50). Power factor >0.9.



Curve					
		CLD		LUMEN OUTPUT (tq= 25 °C)	
LED	colour	weight	code	W tot	K - ølm - CRI
COB	white	0,45	22084811-00	6	3000K - 351lm - CRI>80

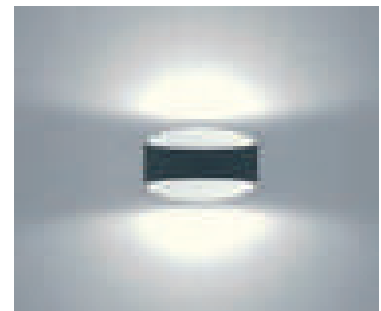
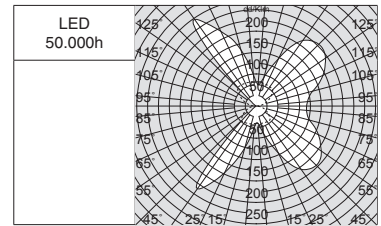


IP40IK06



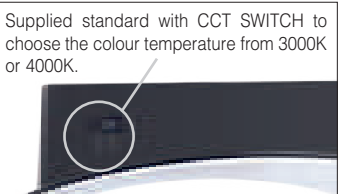
**Housing:** in painted aluminium, designed for wall-mounting.

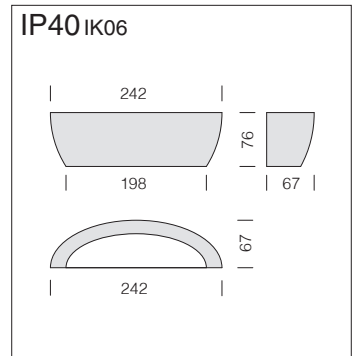
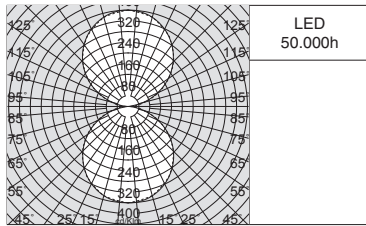
**LED:** luminous flux maintenance 80%: 50.000h (L80B50). Power factor >0.9.



Curve BICOLOR - CCT SWITCH					
		CLD		LUMEN OUTPUT (tq= 25 °C)	
LED	colour	weight	code	W tot	K - ølm - CRI
SMD	black/white	0,60	22084832-00	8	3000K - 390lm - CRI>80 4000K - 430lm - CRI>80

The main feature of this luminaire is the "colour-changing" technology: with the built-in selector switch positioned on the fixture's body, you can choose the desired colour temperature (3000K or 4000K), adjusting its emission to most lighting installations.





CurveLine is a very small wall sconce, which displays a smooth and compact design making it suitable for decorative lighting applications.

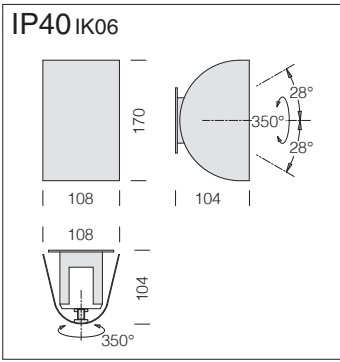
**Housing:** in painted aluminium with matt polycarbonate diffuser, designed for wall-mounting.

**LED:** luminous flux maintenance 80%: 50.000h (L80B50). Power factor >0.9.

CurveLine				
LED	colour	weight	CLD code	LUMEN OUTPUT (tq= 25 °C) K - ølm - CRI
SMD	white	0,70	22036210-00	8 3000K - 750lm - CRI>80



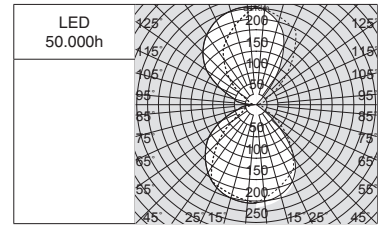




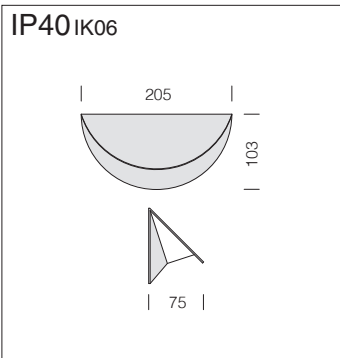
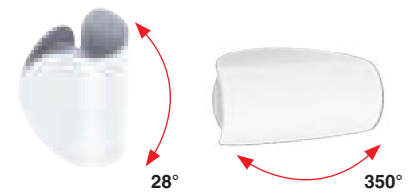
Taco is a small wall sconce, ideal for direct/indirect lighting; easy to install, it features a double rotating shaft that allows the luminaire to be rotated 350° horizontally and 28° vertically to screen the light and create surprising effects.

**Housing:** in painted galvanised steel sheet with matt polycarbonate diffuser, designed for wall-mounting.

**LED:** luminous flux maintenance 80%: 50.000h (L80B50). Power factor >0.9.



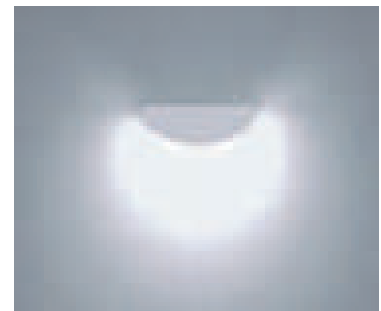
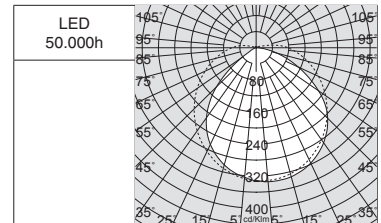
Taco - adjustable					
		CLD		LUMEN OUTPUT (tq= 25 °C)	
LED	colour	weight	code	W tot	K - ølm - CRI
SMD	white	0,80	22036110-00	8	4000K - 700lm - CRI>80



V Moon is a modern yet elegant wall sconce, ideal for rooms where diffused and comfortable lighting is needed.

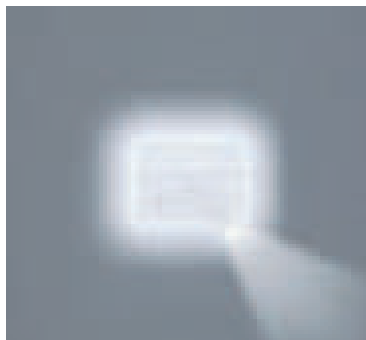
**Housing:** in painted aluminium with matt polycarbonate diffuser, designed for wall-mounting.

**LED:** luminous flux maintenance 80%: 50.000h (L80B50). Power factor >0.9.

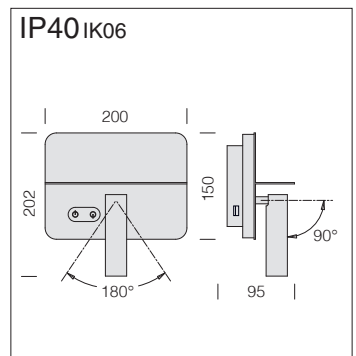


V Moon					
		CLD D		LUMEN OUTPUT (tq= 25 °C)	
LED	colour	weight	code	W tot	K - ølm - CRI
SMD	white	0,50	22036010-00	10	4000K - 700lm - CRI>80





Standard version with: separate switching and dimming touch button for individual control of spotlight and backlight, mobile phone charging stand and 5V 1500mA USB interface (one per side).

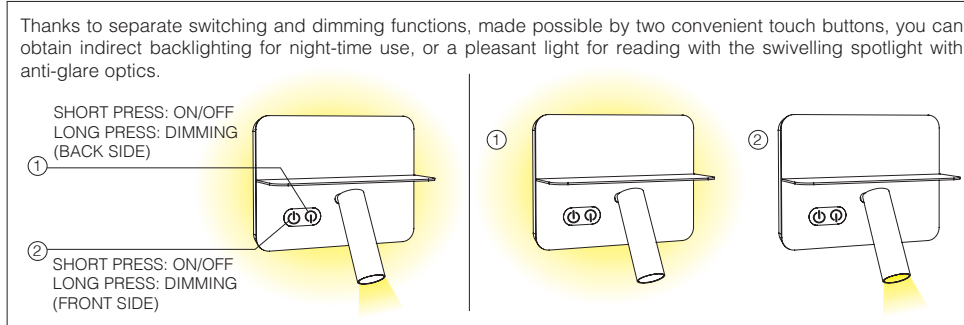


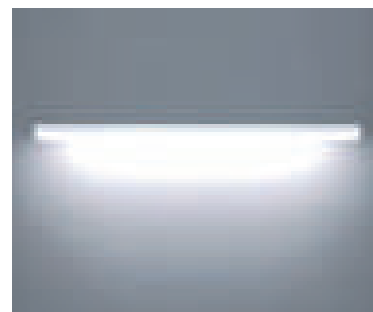
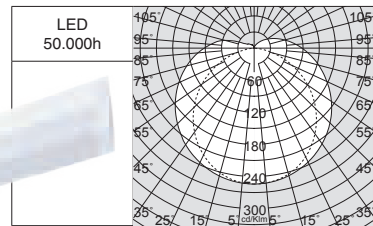
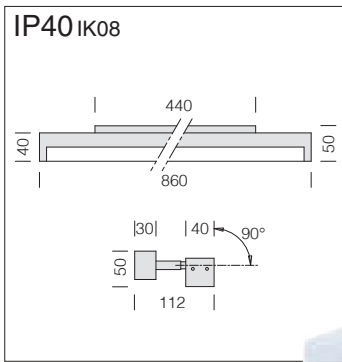
Buddy is a wall sconce ideally suited for bedrooms. The front features a swivelling spotlight with 30° comfort optics while the back has a diffuser to emit soft indirect light, perfect for night-time use.

**Housing:** painted aluminium with (horizontally and vertically) swivelling front spotlight and opal polycarbonate diffuser for indirect lighting. Mobile phone/tablet charging stand, designed for wall mounting.

**LED:** luminous flux maintenance 80%: 50.000h (L80B50). Power factor >0.9.

Buddy - adjustable					
			CLD D (TOUCH DIMM)	LUMEN OUTPUT (tq= 25 °C)	
LED	colour	weight	code	W tot	K - ølm - CRI
LED	white	0,90	22036310-00	9	BACKLIGHT: 4000K - 280lm - CRI>80 SPOT: 4000K - 340lm - CRI>90 - 30°





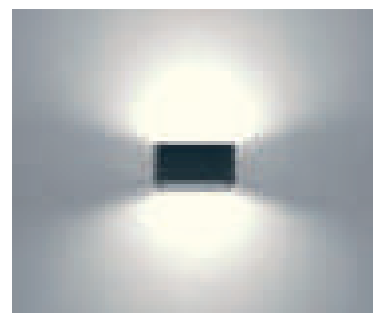
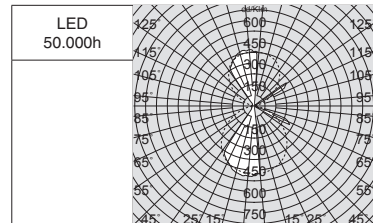
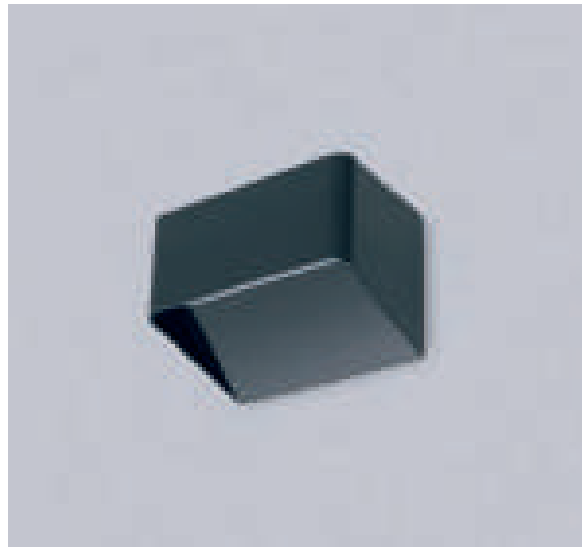
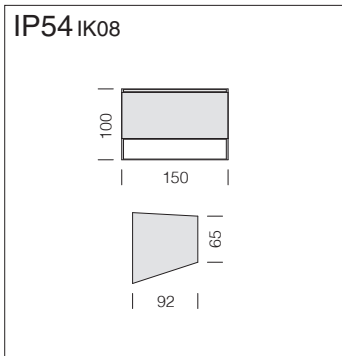
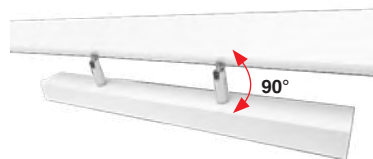
Roby 2.0, linear wall sconce for a modern and contemporary design, ideal for bathroom mirror lighting or to provide accent lighting and emphasize decorative elements on vertical surfaces.

**Housing:** in painted aluminium with matt polycarbonate diffuser, designed for wall-mounting.

**LED:** luminous flux maintenance 80%: 50.000h (L80B50). Power factor >0.9.

Roby 2.0 - adjustable					
		CLD		LUMEN OUTPUT (tq= 25 °C)	
LED	colour	weight	code	W tot	K - ølm - CRI
SMD	white	1,10	22085710-00	15	4000K - 1733lm - CRI>80

The lighting fixture can be rotated vertically to emit more diffused lighting.



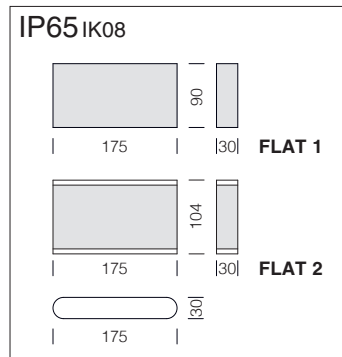
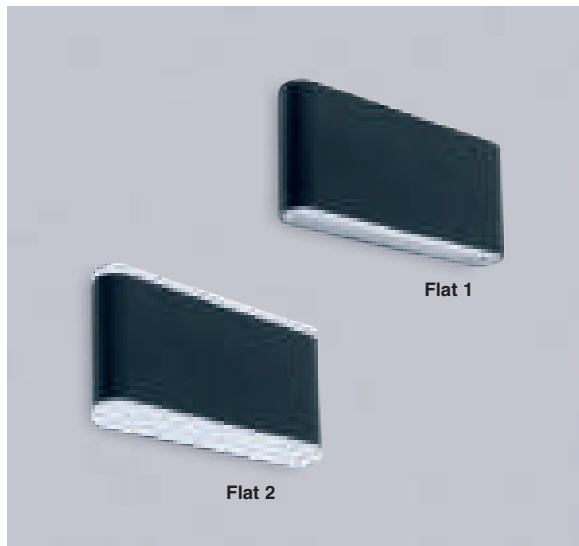
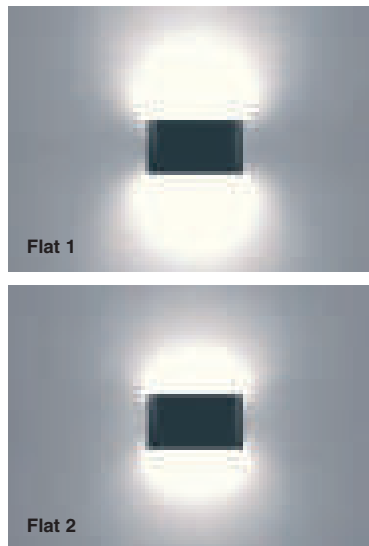
Solus is a wall sconce with a linear design and compact dimensions. Its high degree of protection (IP54) makes it ideal for indoor and outdoor lighting applications.

**Housing:** in painted aluminium with matt polycarbonate diffuser, designed for wall-mounting.

**LED:** luminous flux maintenance 80%: 50.000h (L80B50). Power factor >0.9.

Solus					
		CLD		LUMEN OUTPUT (tq= 25 °C)	
LED	colour	weight	code	W tot	K - ølm - CRI
SMD	black	0,65	22036430-00	10	3000K - 430lm - CRI>80





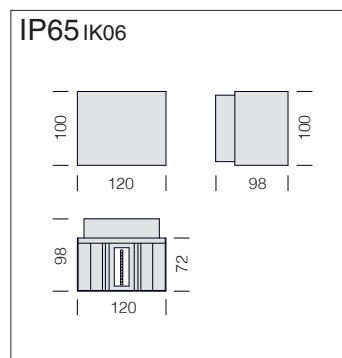
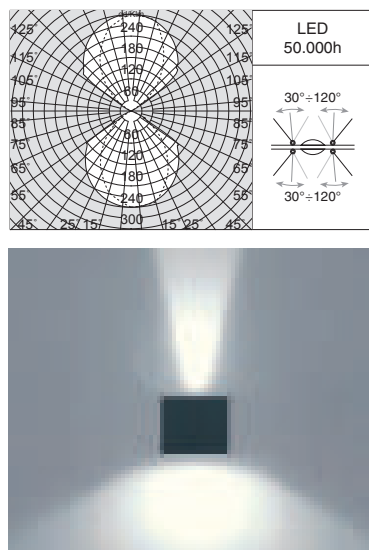
Flat is a wall sconce with an ultra-slim design. With very small dimensions, it can be easily fitted into any architectural context, while its high degree of protection (IP65) makes it ideal for indoor and outdoor lighting applications.

Flat 1 - with WALLWASHER lens					
			CLD	LUMEN OUTPUT (tq= 25 °C)	
LED	colour	weight	code	W tot	K - ølm - CRI
SMD	black	0,70	22036530-00	10	3000K - 940lm - CRI>80

**Housing:** in painted aluminium, wallwasher lens version in clear polycarbonate and diffuser version in matt polycarbonate, designed for wall-mounting.

Flat 2 - with diffuser					
			CLD	LUMEN OUTPUT (tq= 25 °C)	
LED	colour	weight	code	W tot	K - ølm - CRI
SMD	black	0,70	22036630-00	10	3000K - 730lm - CRI>80

**LED:** luminous flux maintenance 80%: 50.000h (L80B50). Power factor >0.9.

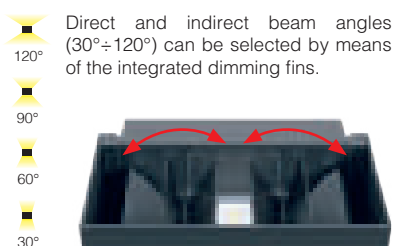


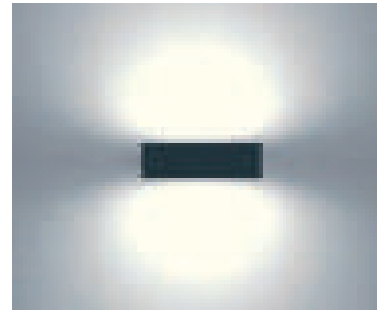
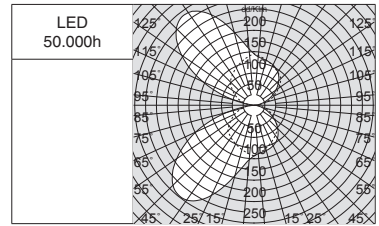
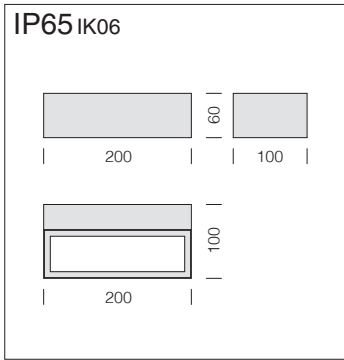
Hecto is a wall sconce that provides a wide range of lighting effects by adjusting the fins to the desired light beam angle from 30° to 120°. Its high degree of protection (IP65) makes it ideal for indoor and outdoor lighting applications.

Hecto - adjustable					
			CLD	LUMEN OUTPUT (tq= 25 °C)	
LED	colour	weight	code	W tot	K - ølm - CRI
SMD	black	0,70	22036830-00	10	3000K - 830lm - CRI>80

**Housing:** in painted aluminium with clear polycarbonate diffuser, designed for wall-mounting.

**LED:** luminous flux maintenance 80%: 50.000h (L80B50). Power factor >0.9.



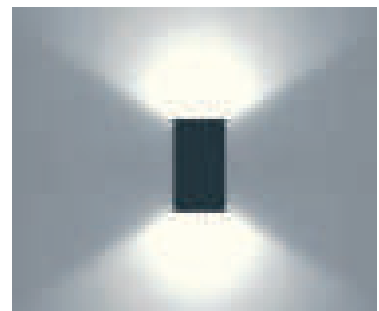
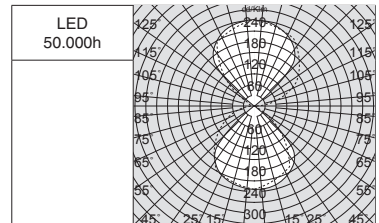
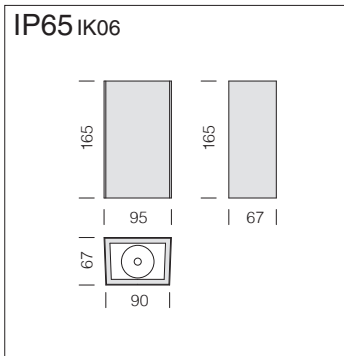
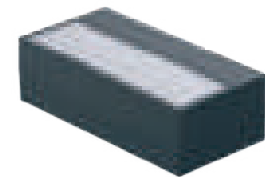


Tile is a wall sconce with a linear design and compact dimensions, which includes a special reflector to achieve wall washing lighting effects. Its high degree of protection (IP65) makes it ideal for indoor and outdoor lighting applications.

**Housing:** in painted aluminium with matt glass diffuser, designed for wall-mounting.

**LED:** luminous flux maintenance 80%: 50.000h (L80B50). Power factor >0.9.

Tile - WALLWASHER					
		CLD		LUMEN OUTPUT (tq= 25 °C)	
LED	colour	weight	code	W tot	K - ølm - CRI
COB	black	0,85	22036730-00	10	3000K - 670lm - CRI>80



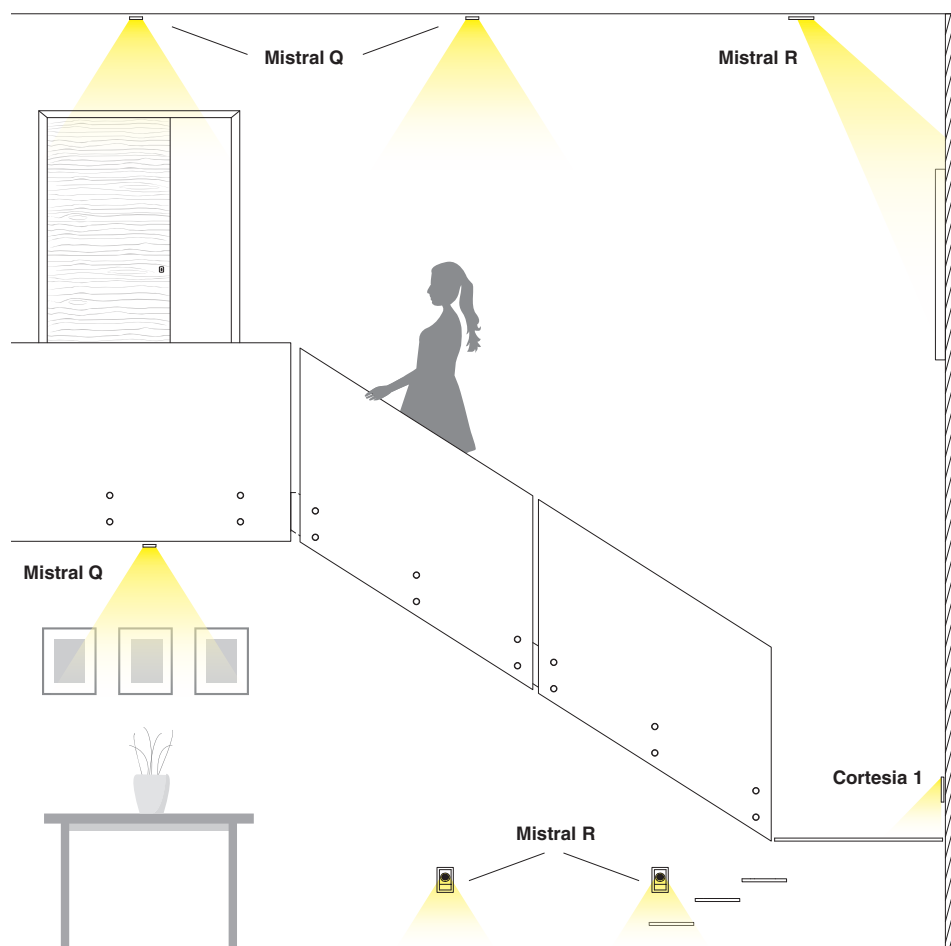
Vertical Line is a wall sconce with a linear and compact dimensions; Its design allows obtaining a soft, evenly distributed glow for direct or indirect lighting. Its high degree of protection (IP65) makes it ideal for indoor and outdoor lighting applications.

**Housing:** in painted aluminium with glass diffuser, designed for wall-mounting.

**LED:** luminous flux maintenance 80%: 50.000h (L80B50). Power factor >0.9.

Vertical Line					
		CLD		LUMEN OUTPUT (tq= 25 °C)	
LED	colour	weight	code	W tot	K - ølm - CRI
COB	white	0,75	22036910-00	10	3000K - 940lm - CRI>80
	black		22036930-00		





**Cortesia and Mistral** recessed spotlights are ideal for illuminating passageways to serve as a courtesy light or to create ambient lighting. Each of these areas needs the right lighting in order to enhance the space while ensuring safety and visual comfort.

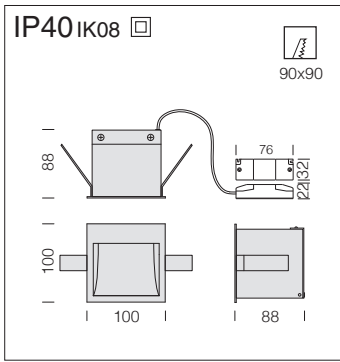
#### Mistral mounting examples:

- **Ceiling-mounted Mistral Q** spotlights are used to enhance interiors and decor items.
- **Wall-mounted Mistral R** spotlights are ideal for illuminating corridors, passageways and stairways in order to create an elegant and safe environment; the ceiling-mount version is ideal for creating accent lighting on vertical furniture elements by focusing the light beam on the desired points.

easy to install on walls/ceilings, including plasterboards and drywalls, thanks to the use of mounting springs.

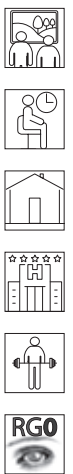
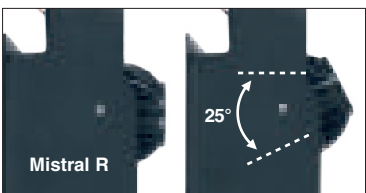
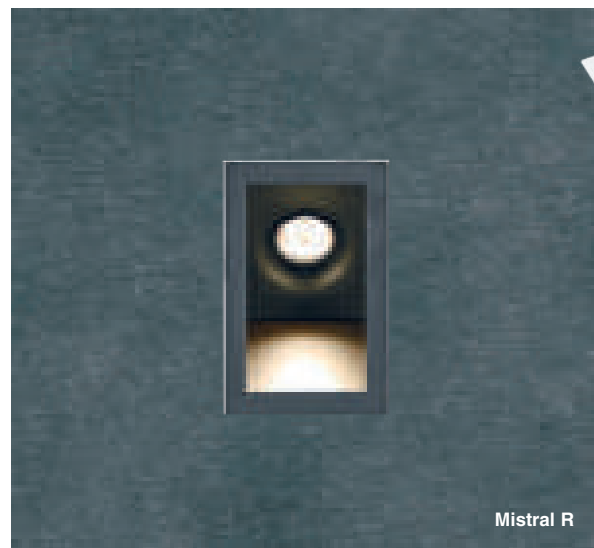
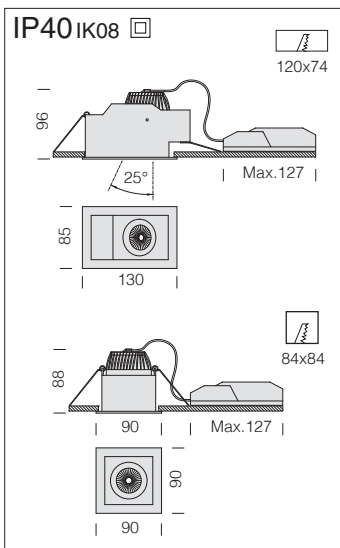
equipped with LED CRI 90 - 3000K to ensure high efficiency and low consumption to create a warm and cosy light.

ideal for homes, offices, shops, supermarkets, bars, cafés, exhibition rooms, museums, restaurants, etc. Also suited for bedrooms, hotels, corridors, stairways.



**Housing:** made of sheet steel.

Cortesia 1 - AMBER					
		CLD		LUMEN OUTPUT (tq= 25 °C)	
LED	colour	weight	code	W tot	K - ølm - CRI
LED	black	0,50	22084511-73	2	AMBER



**Housing:** made of aluminium complete with spring for recessed mounting and Mistral R with adjustable LED module (up to 25°).

**Lens:** in PMMA with high efficiency output and very low glare rate.

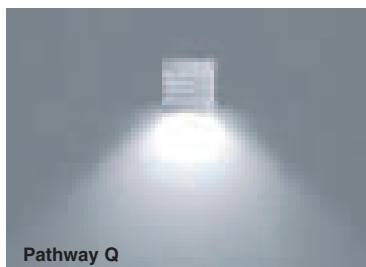
**LED:** luminous flux maintenance 80%: 50.000h (L80B20). Power factor >0.9.

Mistral R - adjustable					
		CLD		LUMEN OUTPUT (tq= 25 °C)	
LED	colour	weight	code	W tot	K - ølm - CRI - degrees
LED	white	0,75	22084513-00	10	3000K - 800lm - CRI>90 - 40°
	black		22084533-00		

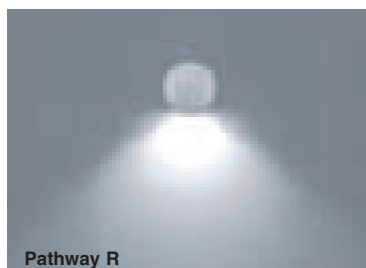
It can be installed on plasterboard walls/ceilings.

Mistral Q - fixed					
		CLD		LUMEN OUTPUT (tq= 25 °C)	
LED	colour	weight	code	W tot	K - ølm - CRI - degrees
LED	white	0,55	22084514-00	10	3000K - 800lm - CRI>90 - 40°
	black		22084534-00		

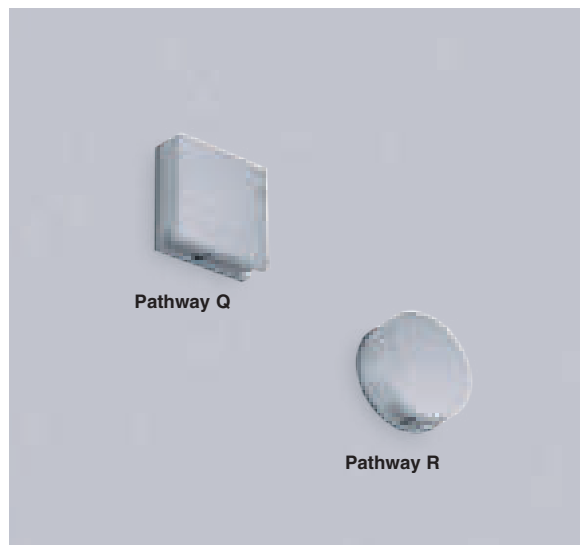
It can be installed on plasterboard walls/ceilings.



Pathway Q

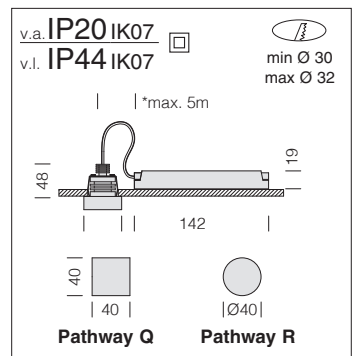


Pathway R



Pathway Q

Pathway R



These small-size, have the advantage of requiring very basic maintenance. Ideal for transit areas.

**Housing:** made of aluminium complete with spring for recessed mounting.

**Lens:** directional, with high efficiency output and very low glare rate.

**LED:** luminous flux maintenance 80%: 50.000h (L80B20).

Pathway Q					
LED	colour	weight	CLD code	W tot	LUMEN OUTPUT (tq= 25 °C) K - ølm - CRI
LED	nat. oxi. alum.	0,15	22035370-00	3	4000K - 300lm - CRI>80
			22035370-39		3000K - 285lm - CRI>80

Upon request: 2700K-6500K version.

Pathway R					
LED	colour	weight	CLD code	W tot	LUMEN OUTPUT (tq= 25 °C) K - ølm - CRI
LED	nat. oxi. alum.	0,15	22035470-00	3	4000K - 300lm - CRI>80
			22035470-39		3000K - 285lm - CRI>80

Upon request: 2700K-6500K version.

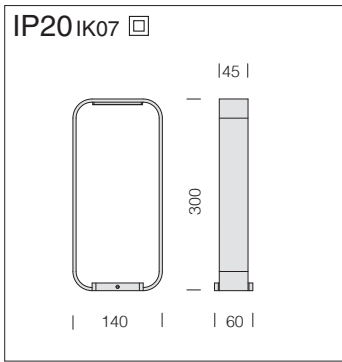


Pathway Q

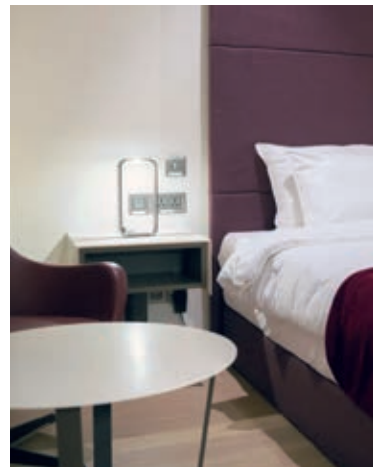
Pathway R

\* distance from driver: max. 5m.





Colour quality



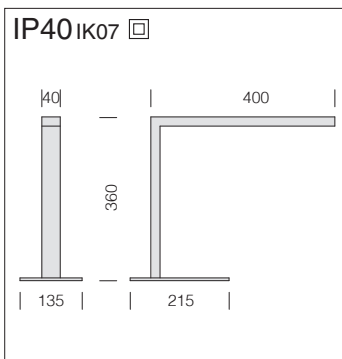
**Housing:** in aluminum, complete with DIMM power cable.

**Diffuser:** opal polycarbonate.

**Equipment:** complete with push-button on the cable and plug-in power supply to be connected directly to the power socket.

**LED:** luminous flux maintenance 80%: 50.000h (L80B20).

Anello						
LED		CLD		W tot	LUMEN OUTPUT (tq= 25 °C)	
colour	weight	code			K - ølm - CRI	
LED	white	1,00	22051110-00		6	3000K - 290lm - CRI>90
	black		22051130-00			
	graphite		22051170-00			



Colour quality



**Housing:** in steel, complete with DIMM power cable.

**Diffuser:** opal polycarbonate.

**Equipment:** complete with push-button on the cable and plug-in power supply to be connected directly to the power socket.

**LED:** luminous flux maintenance 80%: 50.000h (L80B20).

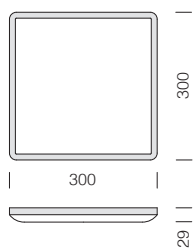
Domitilla						
LED		CLD		W tot	LUMEN OUTPUT (tq= 25 °C)	
colour	weight	code			K - ølm - CRI	
LED	white	2,00	22051010-00		8	4000K - 630lm - CRI>90
			22051010-39			3000K - 588lm - CRI>90
LED	black	2,00	22051030-00		8	4000K - 630lm - CRI>90
			22051030-39			3000K - 588lm - CRI>90
LED	graphite	2,00	22051070-00		8	4000K - 630lm - CRI>90
			22051070-39			3000K - 588lm - CRI>90

Ceiling-mounted LED wall sconce with a modern, ultra-slim design, available in round or square versions, easy to install on the wall or ceiling.

**Cosmic** serves as a stylish furnishing solution to create soft, diffused, and decorative lighting effects in hotel lounges, shopping centre corridors, restaurant entrances and executive offices.



IP44 IK04

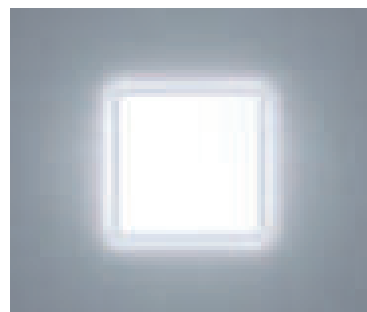
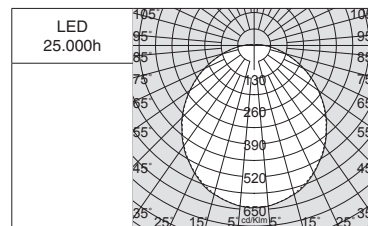


**Housing/diffuser:** thermoplastic material, resistant to small impacts; designed for wall/ceiling mounting

**LED:** luminous flux maintenance 80% 25.000h (L80B20).

Power factor >0.9.

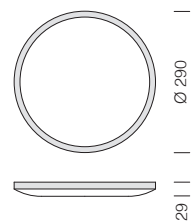
Photobiological safety class: exempt group.



## Cosmic Q - DECOR LINE

		CLD			LUMEN OUTPUT (tq= 25 °C)	
LED	colour	weight	mm	code	W tot	K - ølm - CRI
LED	white	0.65	300x300	22046210-00	18	4000K - 1620lm - CRI>80

IP44 IK04

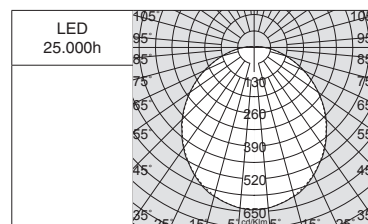


**Housing/diffuser:** thermoplastic material, resistant to small impacts; designed for wall/ceiling mounting

**LED:** luminous flux maintenance 80% 25.000h (L80B20).

Power factor >0.9.

Photobiological safety class: exempt group.

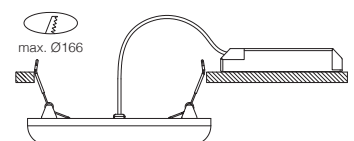
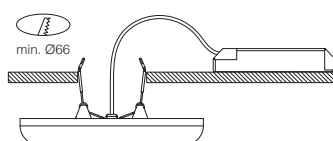
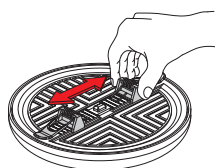
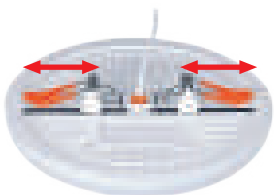
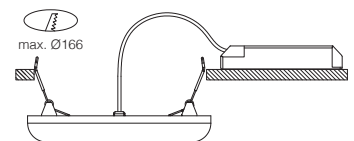
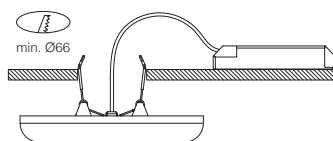
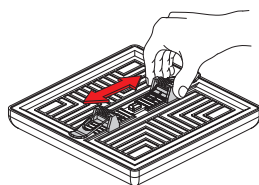
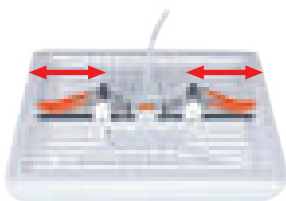


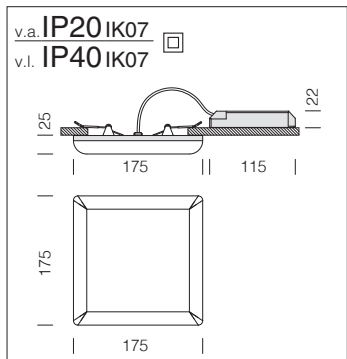
## Cosmic R - DECOR LINE

		CLD			LUMEN OUTPUT (tq= 25 °C)	
LED	colour	weight	Ø mm	code	W tot	K - ølm - CRI
LED	white	0.65	290	22046310-00	18	4000K - 1620lm - CRI>80



**Mini Pastilla** is an energy-efficiency LED fixture, suited for the retrofitting of traditional lamps for any application. The adjustable fastening bracket allows recessed installation into holes having a diameter ranging between 66 mm and 166 mm.





**Heatsink:** die-cast aluminium.

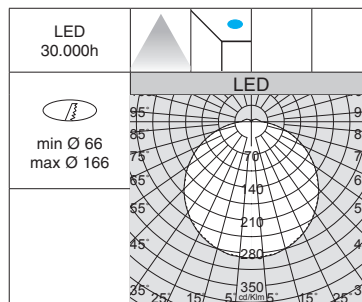
**Diffuser:** In clear polycarbonate, anti-dazzle, vandal resistant.

**Equipment:** complete with adjustable fastening bracket for recess mounting.

**LED:** luminous flux maintenance 80% 30.000h (L80B20).

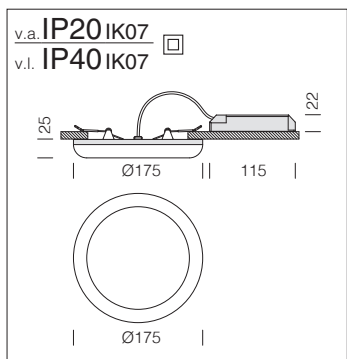
Power factor >0.9.

Photobiological safety class: exempt group.



175X175mm

Mini Pastilla Q						
		CLD			LUMEN USCENTI (tq= 25 °C)	
LED	colour	weight	mm	code	W tot	K - ølm - CRI
LED	white	0.40	175x175	22046010-00	24	3000K - 2210lm - CRI>80



**Heatsink:** die-cast aluminium.

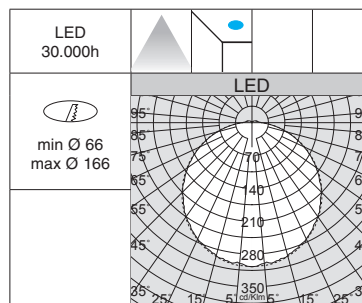
**Diffuser:** In clear polycarbonate, anti-dazzle, vandal resistant.

**Equipment:** complete with adjustable fastening bracket for recess mounting.

**LED:** luminous flux maintenance 80% 30.000h (L80B20).

Power factor >0.9.

Photobiological safety class: exempt group.



Ø175mm

Mini Pastilla						
		CLD			LUMEN OUTPUT (tq= 25 °C)	
LED	colour	weight	mm	code	W tot	K - ølm - CRI
LED	white	0.40	175	22046110-00	24	3000K - 2308lm - CRI>80





**Pastilla** is a high-efficiency LED fixture, an ideal upgrade solution to traditional lamps. Its simple yet modern design, along with the supplied bracket, ensures quick installation into different spaces, including corridors, stairways, bathrooms, entrance halls or public areas. It is available in three diameter sizes (ø220/280/330 mm) and in the standard 3000K/4000K version, or with light-presence detectors (ON-OFF) on request.

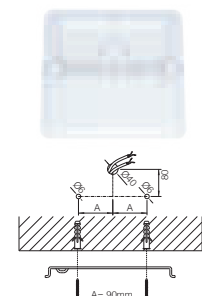
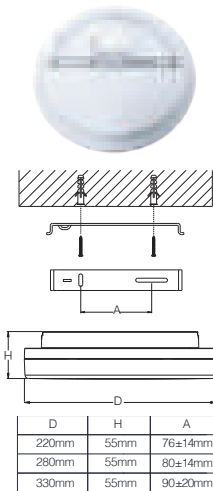
**Housing:** vandal-resistant, self-extinguishing polycarbonate.

**Diffuser:** In clear polycarbonate, anti-dazzle, vandal resistant.

**LED:** luminous flux maintenance 80% 30.000h (L80B20). Power factor >0.9. Photobiological safety class: exempt group.

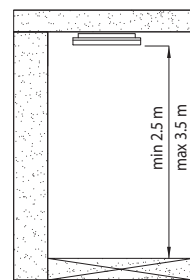
**Upon request:** version with CASAMBI automation lighting control system. For further information see chapter *Technical components*.

**Equipment:** supplied with bracket for ceiling/wall installation.

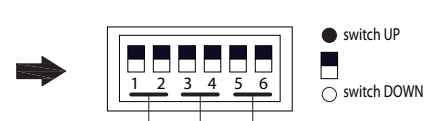
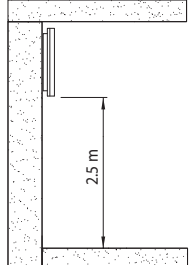


**ON-OFF Light sensor / presence (sub-code -19):** is an automatic sensor that immediately sense the presence of people's movements and anyone walking past. When there is movement within the sensor's detection range, the light will remain ON. When no further movement is detected, the light will switch OFF after a pre-set time.

**Ceiling installation.**



**Wall installation.**



●●	100%
●○	75%
○●	50%
○○	25%

●●	5sec
●○	90sec
○●	5min
○○	15min

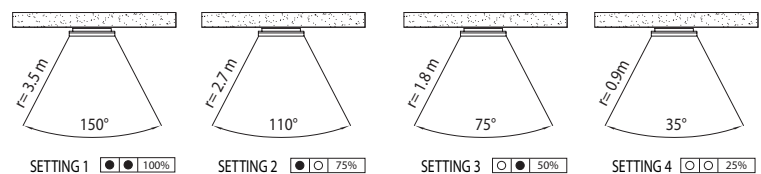
●●	Disable
●○	2lux
○●	10lux
○○	50lux

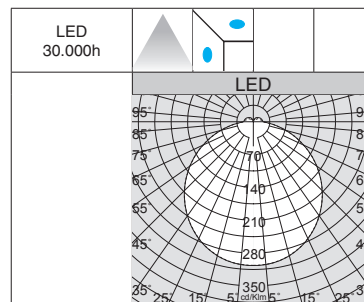
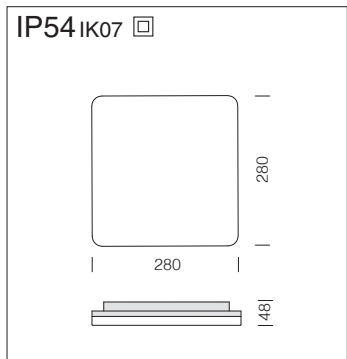
**DETECTION AREA:** is the area scanned by the sensor. It can be adjusted for specific applications by combining DIP switches.

**HOLD-TIME:** is the period of time the light will stay ON after the sensor has been triggered.

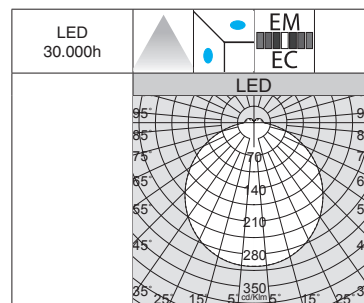
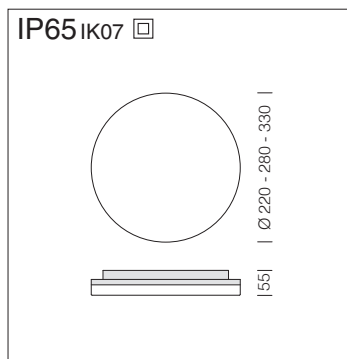
**DAYLIGHT THRESHOLD:** Daylight sensor takes priority over the motion sensor. Set threshold according to specific needs. Disable it to allow motion detection only.

Examples of possible detection area setups (150°-110°-75°-35°) and related detection distances (r=3.5m-2.7m-1.8m-0.9m)





Pastilla Q						
LED		CLD			W tot	LUMEN OUTPUT (tq= 25 °C)
colour	weight	mm	code			K - ølm - CRI
LED	white	0.80	280x280	22042612-00		3000K - 1651lm - CRI>80
				22042613-00		4000K - 1796lm - CRI>80



Pastilla									
LED		CLD		CLD-EC		W tot	LUMEN OUTPUT (tq= 25 °C)		
colour	weight	Ø mm	code		code		K - ølm - CRI		
(1) LED	white	0.60	220	22042510-00		22042510-0050		15	3000K - 1328lm - CRI>80
				22042511-00		22042511-0050			4000K - 1444lm - CRI>80
				22042512-00		22042512-0050			3000K - 1651lm - CRI>80
(2) LED	white	0.80	280	22042513-00		22042513-0050		18	4000K - 1796lm - CRI>80
				22042514-00		22042514-0050			3000K - 2273lm - CRI>80
				22042515-00		22042515-0050			4000K - 2473lm - CRI>80

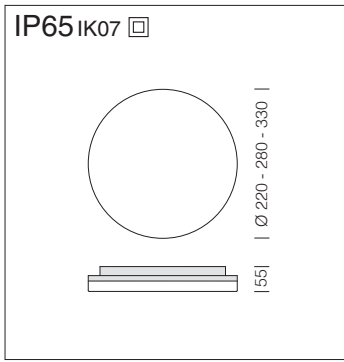
Standard version.

Pastilla - with light / presence sensor (ON-OFF)							
LED		CLD			W tot	LUMEN OUTPUT (tq= 25 °C)	
colour	weight	Ø mm	code			K - ølm - CRI	
(2) LED	white	0.80	280	22042512-19		18	3000K - 1651lm - CRI>80
				22042513-19			4000K - 1796lm - CRI>80
(3) LED	white	1.00	330	22042514-19		24	3000K - 2273lm - CRI>80
				22042515-19			4000K - 2473lm - CRI>80

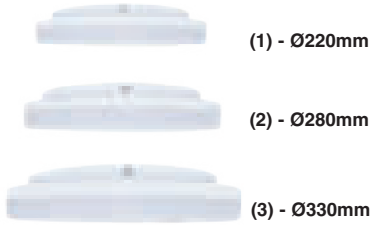
Version equipped with light / presence sensor.



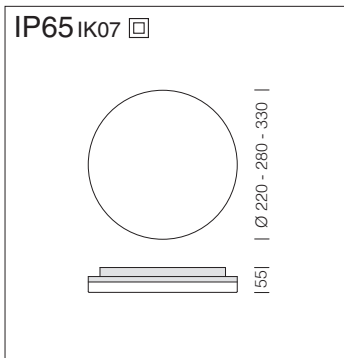




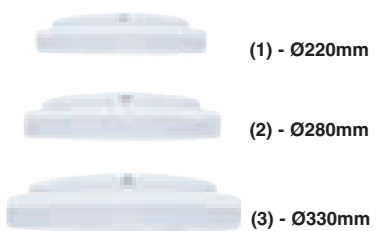
Pastilla with shielded diffuser that minimizes direct glare and creates amazing light effects.



Pastilla Screen 1						
		CLD			LUMEN OUTPUT (tq= 25 °C)	
LED	colour	weight	Ø mm	code	W tot	K - ølm - CRI
(1) LED	white	0.60	220	22042810-39	15	3000K - 1328lm - CRI>80
				22042810-00		4000K - 1444lm - CRI>80
(2) LED	white	0.80	280	22042811-39	18	3000K - 1651lm - CRI>80
				22042811-00		4000K - 1796lm - CRI>80
(3) LED	white	1.00	330	22042812-39	24	3000K - 2273lm - CRI>80
				22042812-00		4000K - 2473lm - CRI>80



Pastilla with shielded diffuser that minimizes direct glare and creates amazing light effects.



Pastilla Screen 2						
		CLD			LUMEN OUTPUT (tq= 25 °C)	
LED	colour	weight	Ø mm	code	W tot	K - ølm - CRI
(1) LED	white	0.60	220	22042910-39	15	3000K - 1328lm - CRI>80
				22042910-00		4000K - 1444lm - CRI>80
(2) LED	white	0.80	280	22042911-39	18	3000K - 1651lm - CRI>80
				22042911-00		4000K - 1796lm - CRI>80
(3) LED	white	1.00	330	22042912-39	24	3000K - 2273lm - CRI>80
				22042912-00		4000K - 2473lm - CRI>80



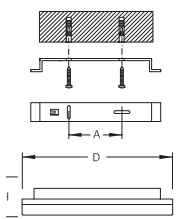
**Pastilla J 2.0** is easy-to-install wall/ceiling light fixture featuring an extremely resistant self-extinguishing polycarbonate housing (IK07) with a greater degree of protection (IP65) and double insulation. It comprises **high-efficiency** LED sources that ensure notable **energy savings**.

**Housing:** vandal-resistant, self-extinguishing polycarbonate.

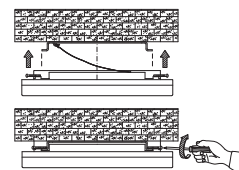
**Diffuser:** In clear polycarbonate, anti-dazzle, vandal resistant.

**LED:** luminous flux maintenance 80%: 50.000h (L80B20). Power factor >0.9. Photobiological safety class: exempt group.

**Equipment:** supplied with bracket for ceiling/wall installation.

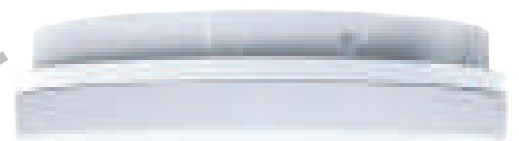


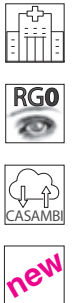
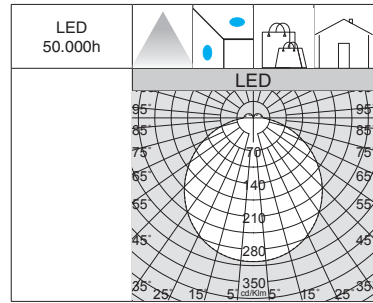
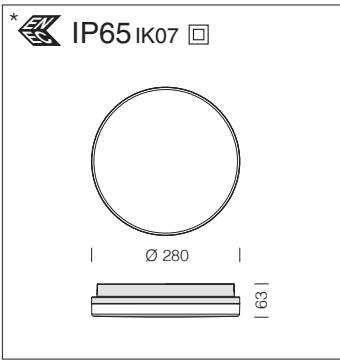
D	H	A	mm
280	63	min 92-max 118	



MANY VERSIONS FOR FURTHER ENERGY SAVINGS ARE AVAILABLE

Other options include versions with DIP-SWITCH and SMART lamps with Wi-Fi or CASAMBI control.





Its minimalist and compact design makes it suitable for any outdoor application, especially balconies, porches, and terraces, as well as for indoor use, such as condominium staircases, landings, and common areas. This ceiling fixture has colour temperatures of 3000K and 4000K and a high colour rendering index (CRI≥80), guaranteeing effective, pleasant, and safe lighting. The versatility of this ceiling lamp is given by the wide range of versions available, such as the **1/3h emergency (CLD E)**, **centralised emergency (CLD EC)** or **DALI dimmable (CLD D-D)** versions.

Pastilla J 2.0 - EM 1h						
		CLD E (1h)			LUMEN OUTPUT (tq= 25 °C)	
LED	colour	weight	Ø mm	code	W tot	K - ølm - CRI
LED	white	0.80	280	22042710-0928	19	3000K - 1863lm - CRI≥80
				22042710-09		4000K - 2026lm - CRI≥80
LED	white	0.80	280	22042711-0928	24	3000K - 2695lm - CRI≥80
				22042711-09		4000K - 2898lm - CRI≥80



Pastilla J 2.0 - EM 3h						
		CLD E (3h)			LUMEN OUTPUT (tq= 25 °C)	
LED	colour	weight	Ø mm	code	W tot	K - ølm - CRI
LED	white	0.80	280	22042710-3128	19	3000K - 1863lm - CRI≥80
				22042710-31		4000K - 2026lm - CRI≥80
LED	white	0.80	280	22042711-3128	24	3000K - 2695lm - CRI≥80
				22042711-31		4000K - 2898lm - CRI≥80



Pastilla J 2.0 - EM EC						
		CLD EC			LUMEN OUTPUT (tq= 25 °C)	
LED	colour	weight	Ø mm	code	W tot	K - ølm - CRI
LED	white	0.80	280	22042710-3950	16	3000K - 1863lm - CRI≥80
				22042710-0050		4000K - 2026lm - CRI≥80
LED	white	0.80	280	22042711-3950	21	3000K - 2695lm - CRI≥80
				22042711-0050		4000K - 2898lm - CRI≥80



Pastilla J 2.0 - DALI 2						
		CLD D-DIG (DALI)			LUMEN OUTPUT (tq= 25 °C)	
LED	colour	weight	Ø mm	code	W tot	K - ølm - CRI
LED	white	0.80	280	22042710-3941	16	3000K - 1863lm - CRI≥80
				22042710-1241		4000K - 2026lm - CRI≥80
LED	white	0.80	280	22042711-3941	21	3000K - 2695lm - CRI≥80
				22042711-1241		4000K - 2898lm - CRI≥80



Pastilla J 2.0 - ON OFF						
		CLD			LUMEN OUTPUT (tq= 25 °C)	
LED	colour	weight	Ø mm	code	W tot	K - ølm - CRI
LED	white	0.80	280	22042710-39	16	3000K - 1863lm - CRI≥80
				22042710-00		4000K - 2026lm - CRI≥80
LED	white	0.80	280	22042711-39	21	3000K - 2695lm - CRI≥80
				22042711-00		4000K - 2898lm - CRI≥80



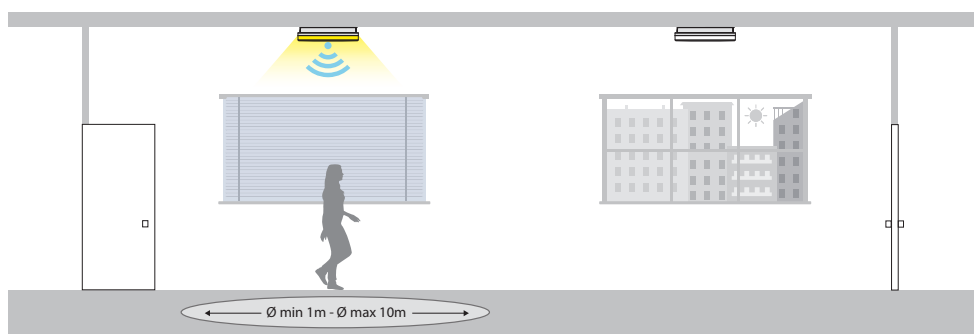
It is more energy efficient thanks to the **presence sensor** that turns the lamp on only when light is needed, increasing the already substantial energy savings.

Pastilla J 2.0 - SENSOR						
		CLD sensor (ON-OFF)			LUMEN OUTPUT (tq= 25 °C)	
LED	colour	weight	Ø mm	code	W tot	K - ølm - CRI
LED	white	0.80	280	22042710-1928	16	3000K - 1863lm - CRI≥80
				22042710-19		4000K - 2026lm - CRI≥80
LED	white	0.80	280	22042711-1928	21	3000K - 2695lm - CRI≥80
				22042711-19		4000K - 2898lm - CRI≥80



SENSOR - TECHNICAL SPECIFICATIONS	
Detection area	360°
Detection distance	Ø 1-10 m (adjustable)
Hold time	10 sec - 30 min
Ambient light	2 - 2000 Lux
Power consumption	~ 0,9 W
High frequency (HF system)	5,8GHz CW radar, ISM band
Operating temperature	-15°C ÷ 70°C

**Built-in RADAR SENSOR (sub-code -19):** an electronic device that immediately detects any presence entering its range. When the sensor reads motion inside its range, lights will stay on. When it no longer senses motion and based on the lighting level in its range, the sensor will turn off the lights after a pre-programmed time.



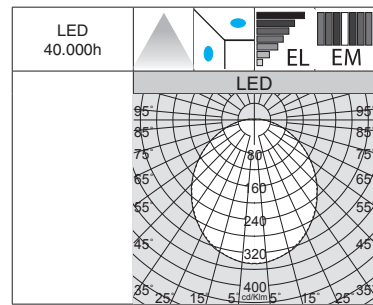
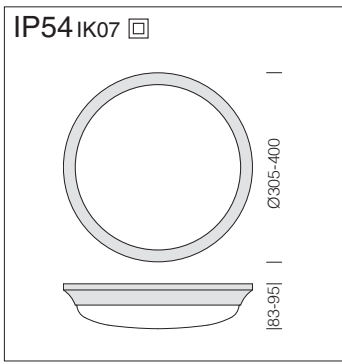


Round-shape LED fixture with opal polycarbonate diffuser that can be easily installed to the ceiling/wall; ideal for entrance areas, corridors, stairways, waiting rooms, hotels, restaurants and residential spaces. Available in two sizes (ø305/400 mm) and in the standard 3000K/4000K version and in the 3h emergency version with light-presence sensor (ON-OFF). Tortuga is the energy-efficient and modern alternative to luminaires with traditional light sources.

**Housing:** vandal-resistant, self-extinguishing polycarbonate.

**Diffuser:** In clear polycarbonate, anti-dazzle, vandal resistant.

**LED:** luminous flux maintenance 70%: 40.000h (L70B50). Power factor >0.9.



**Upon request:**

- available DIMM-DALI version.
- version with CASAMBI automation lighting control system. For further information see chapter *Technical components*.

Tortuga						
LED	colour	CLD		CLD-EC		LUMEN OUTPUT (tq= 25 °C)
		weight	Ø mm	code	code	K - ølm - CRI
(1) LED	white	1.00	305	22042410-00	22042410-0050	3000K - 1436lm - CRI>80
				22042411-00	22042411-0050	
(2) LED	white	1.15	400	22042412-00	22042412-0050	3000K - 2523lm - CRI>80
				22042413-00	22042413-0050	

Tortuga - Emergency SA - 220/240V						
LED	colour	CLD-E		LUMEN OUTPUT (tq= 25 °C)		
		weight	Ø mm	code	W tot	K - ølm - CRI
(1) LED	white	1.00	305	22042410-09	18	3000K - 1436lm - CRI>80
				22042411-09		4000K - 1562lm - CRI>80
(2) LED	white	1.15	400	22042412-09	30	3000K - 2523lm - CRI>80
				22042413-09		4000K - 2744lm - CRI>80

Emergency version: 3 hours.

Tortuga - with light / presence sensor (ON-OFF) - 220/240V						
LED	colour	CLD		LUMEN OUTPUT (tq= 25 °C)		
		weight	Ø mm	code	W tot	K - ølm - CRI
(1) LED	white	1.00	305	22042410-19	17	3000K - 1436lm - CRI>80
				22042411-19		4000K - 1562lm - CRI>80
(2) LED	white	1.15	400	22042412-19	28	3000K - 2523lm - CRI>80
				22042413-19		4000K - 2744lm - CRI>80

**Upon request:** Boxy with emergency wiring with centralized power supply **CLD-EC (sub-code -0050)**.

SENSOR - TECHNICAL SPECIFICATIONS	
Detection area	360°
Detection distance	Ø 1-8 m (adjustable)
Installing height	min. 2,5 - max. 3,5 m
Hold time	10 sec - 12 min
Ambient light	10 ~ 2000 Lux
Power consumption	~ 0,9 W
High frequency (HF system)	5,8 GHz
Operating temperature	-15°C ÷ 70°C

**Version with sensor (sub-code -19):** is an automatic sensor that immediately sense the presence of people's movements and anyone walking past. When there is movement within the sensor's detection range, the light will remain ON. When no further movement is detected, the light will switch OFF after a pre-set time.

min. 2,5 m - max. 3,5 m

360° - Ø 1-8 m

**Ceiling installation.**

Min. 2,5m  
Max. 3,5m

**Wall installation.**

2,5m

min. 2,5m  
max. 3,5m

Height of installation min. 2,5m max. 3,5m

360°

min. 1m  
max. 8m

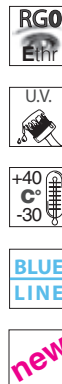
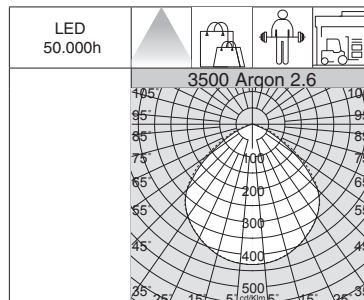
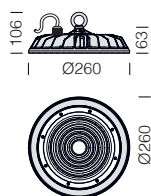
(Height of installation 2,5m)  
Sensing distance adjustment range



**Argon 3.6** in the elegant white colour for interiors; ideal to be used for the lighting systems of shopping centres, showrooms or food processing areas.



IP65 IK08



**Housing/frame:** in die-cast aluminium with cooling fins integrated into the cover.

**Diffuser:** polycarbonate with concentric rings.

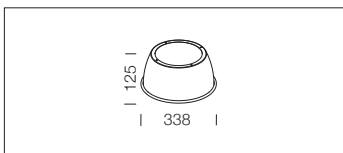
**Equipment:** complete with connector for quick installation.

**LED:** power factor:  $\geq 0.9$ . LED luminous flux maintenance 80%: 50.000h (L80B20).

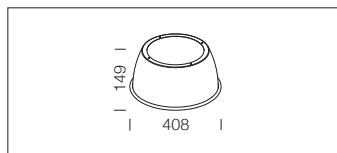
Photobiological safety class: exempt group.

3500 Argon 2.6						
		CLD			LUMEN OUTPUT (tq= 25 °C)	
LED	colour	weight	Ø	code	W tot	K - ølm - CRI - degrees
LED	graphite	2.10	260	22350037-00	100	4000K - 14470lm - CRI>80 - 100°
				22350037-0034		5000K - 14470lm - CRI>80 - 100°

Upon request: available 50° and 85° beam version.

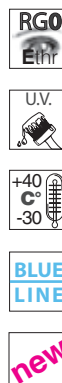
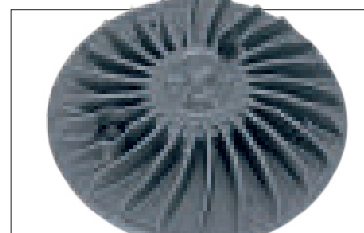
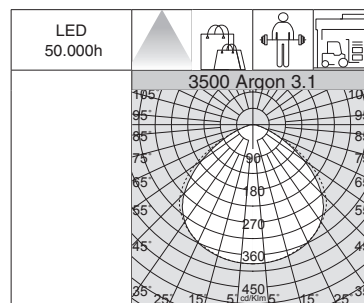
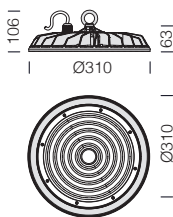


Argon 2.6 Reflector - UGR<25
22091028-00
Pressed prismatic aluminium, anodised (3µ) and polished for higher luminous efficiency.



Argon 3.1 Reflector - UGR<25
22091078-00
Pressed prismatic aluminium, anodised (3µ) and polished for higher luminous efficiency.

IP65 IK08



**Housing/frame:** in die-cast aluminium with cooling fins integrated into the cover.

**Diffuser:** polycarbonate with concentric rings.

**Equipment:** complete with connector for quick installation.

**LED:** power factor:  $\geq 0.9$ . LED luminous flux maintenance 80%: 50.000h (L80B20).

Photobiological safety class: exempt group.

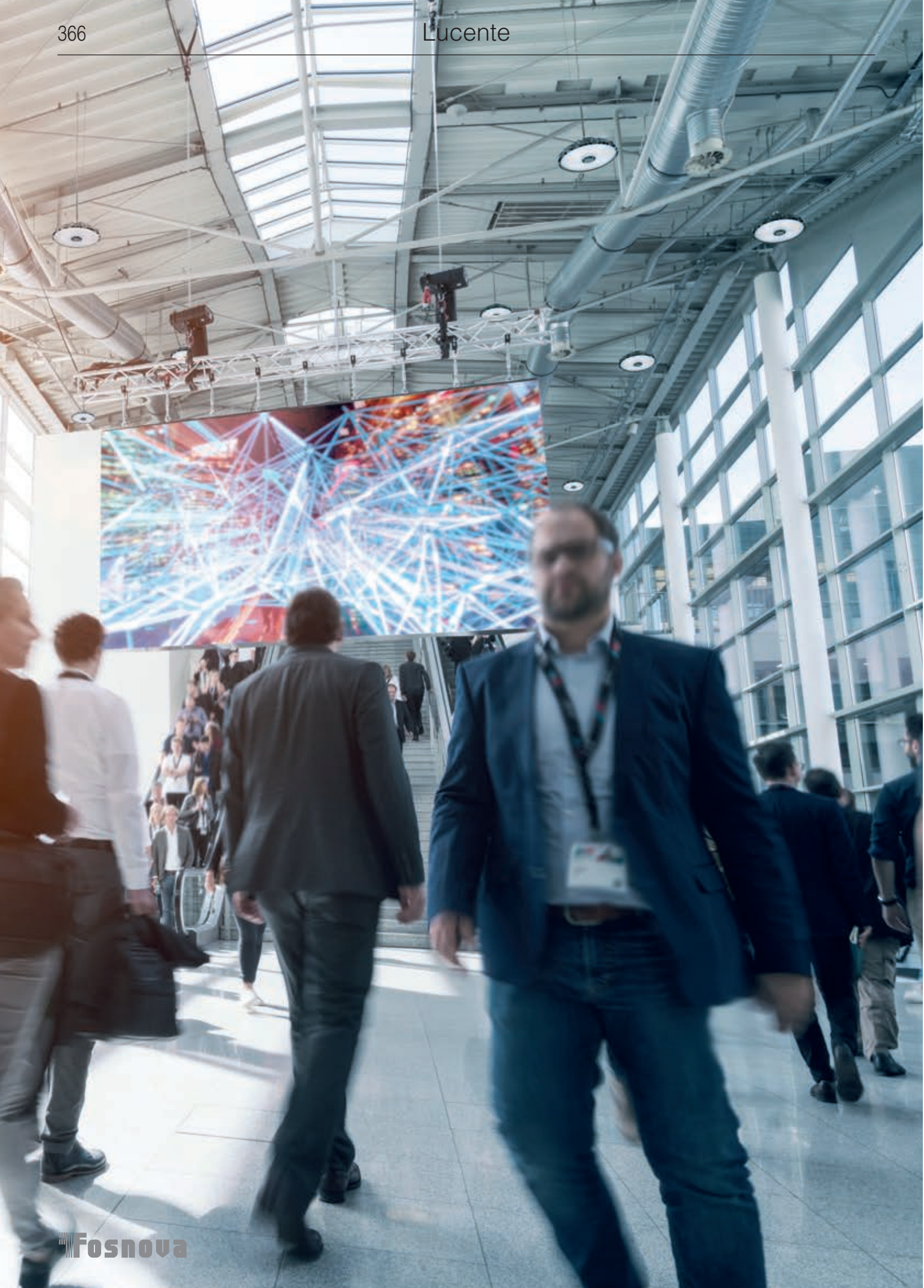
3500 Argon 3.1						
		CLD			LUMEN OUTPUT (tq= 25 °C)	
LED	colour	weight	Ø	code	W tot	K - ølm - CRI - degrees
LED	graphite	2.60	310	22350038-00	150	4000K - 22954lm - CRI>80 - 100°
				22350038-0034		5000K - 22954lm - CRI>80 - 100°
LED	graphite	2.60	310	22350039-00	200	4000K - 28191lm - CRI>80 - 100°
				22350039-0034		5000K - 28191lm - CRI>80 - 100°

Upon request: available 50° and 75° beam version.

3500 Argon 3.6						
		CLD			LUMEN OUTPUT (tq= 25 °C)	
LED	colour	weight	Ø	code	W tot	K - ølm - CRI - degrees
LED	white	3.10	360	22350001-00	100	4000K - 16000lm - CRI>80

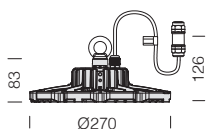
Argon is available in white: version made in smooth die-cast aluminium, easy to maintain and clean, ideal in shopping centres, showrooms or food processing areas.







IP65 IK08



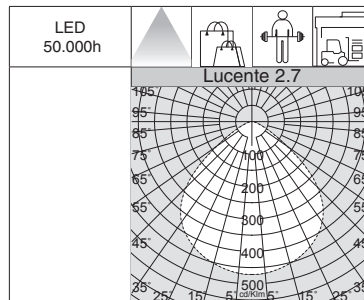
**Housing/frame:** in die-cast aluminium with cooling fins integrated into the cover.

**Diffuser:** polycarbonate with concentric rings.

**Equipment:** complete with connector for quick installation.

**LED:** power factor:  $\geq 0,9$ . LED luminous flux maintenance 80%: 50.000h (L80B20).

Photobiological safety class: exempt group.



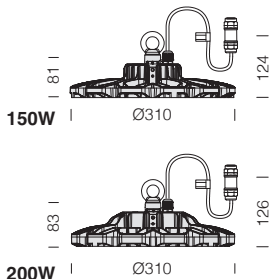
3700 Lucente 2.7					
		CLD		LUMEN OUTPUT (tq= 25 °C)	
LED	colour	weight	code	W tot	K - ølm - CRI
LED	graphite	1.55	22370030-00	100	4000K - 17083lm - CRI>80



Lucente 2.7 Reflector UGR<25	
22092770-00	
Pressed aluminium, anodised (3µ) and polished for higher luminous efficiency.	



IP65 IK08



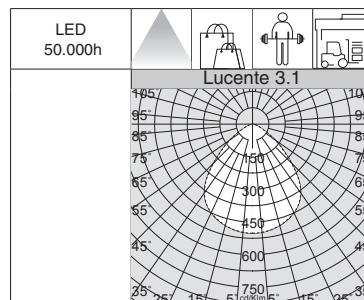
**Housing/frame:** in die-cast aluminium with cooling fins integrated into the cover.

**Diffuser:** polycarbonate with concentric rings.

**Equipment:** complete with connector for quick installation.

**LED:** power factor:  $\geq 0,9$ . LED luminous flux maintenance 80%: 50.000h (L80B20).

Photobiological safety class: exempt group.



3700 Lucente 3.1					
		CLD		LUMEN OUTPUT (tq= 25 °C)	
LED	colour	weight	code	W tot	K - ølm - CRI
LED	graphite	1.95	22370031-00	150	4000K - 24175lm - CRI>80
LED	graphite	2.55	22370032-00	200	4000K - 32461lm - CRI>80



Lucente Reflector 3.1 UGR<25	
22092771-00	
Pressed aluminium, anodised (3µ) and polished for higher luminous efficiency.	





**SENSOR  
STAND-ALONE**

**Presence and light sensor - STAND-ALONE**

Lucente comes with a stand-alone presence and lighting sensor with 0-10V control.

**TECHNICAL CHARACTERISTICS**

Mains voltage	220-240 Vac - 50/60Hz
Frequency	5.8GHz±75MHz
Detection angle	ceiling: 360°
Detection area	8-16m max (adjustable)
Installation height	ceiling: 12 m (≤ 15 m max.)
Energy consumption	≤ 0.6W (standby)
Technology	Microwave
Sensor operating temperature	-20 ... +70 °C

Remote control (optional, code 22099031-00) to adjust parameters after completing installation without the need to open the fixture.



1	2	3	4	5	6
I ● 100%	I ●● 30S	I ● OFF	I ● OFF	I ●● OFF	I ●● OFF
II ○ 50%	II ●○ 1min	II ○ 100LUX	II ○ 100LUX	II ●○ 30%	II ●○ 30%
	III ○● 5min			III ○● 10%	III ○● 10%
	IV ○○ 10min			IV ○	IV ○

**PARAMETERS SETTINGS**

Technology	DIP switch (standard)		Remote control (optional)
Detection area	1	100% / 50%	100% / 75% / 50% / 25%
Hold time (adjustable)	2-3	30s / 1min / 5min / 10min	5s / 30s / 1min / 3min / 5min / 10min / 20min / 30min
Ambient light (adjustable)	4	100lux / OFF	2lux / 10lux / 30lux / 50lux / 80lux / 120lux / OFF
Stand-by dimming level (adjustable)	5-6	10% / 30% / OFF	



If the sensor does not detect motion, lights stay on constant for a pre-set time.



As soon as the sensor detects motion in the scan area, lights will automatically increase to 100%.

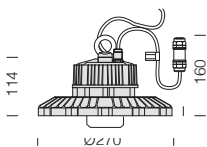


If no motion is detected after a certain amount of time, the sensor will dim back to the set level.

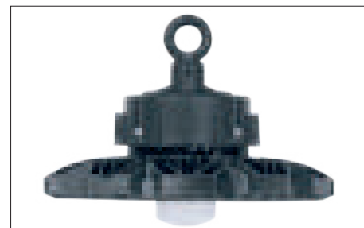
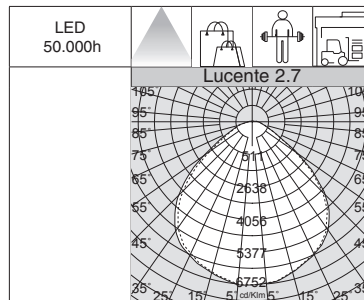


**Remote control**  
22099031-00  
Remote control to change parameters after installation, without opening the fixture.

IP65 IK08



**SENSOR  
STAND-ALONE**

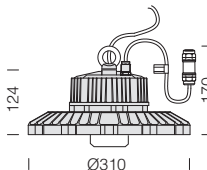


**Version with sensor (sub-code -1219):** is an automatic sensor that immediately sense the presence of people's movements and anyone walking past. When there is movement within the sensor's detection range, the light will remain ON. When no further movement is detected, the light will switch OFF after a pre-set time.

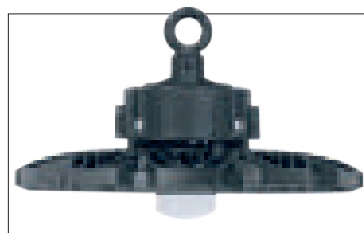
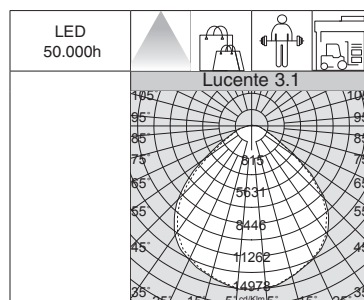
3700 Lucente 2.7 - with presence and light sensor - STAND-ALONE					
LED		CLD D		LUMEN OUTPUT (tq= 25 °C)	
colour	weight	code	W tot	K - ølm - CRI	
graphite	2.60	22370030-1219	100	4000K - 15049lm - CRI>80	

- 
- 
- 
- 
- 
- 

IP65 IK08



**SENSOR  
STAND-ALONE**



**Version with sensor (sub-code -1219):** is an automatic sensor that immediately sense the presence of people's movements and anyone walking past. When there is movement within the sensor's detection range, the light will remain ON. When no further movement is detected, the light will switch OFF after a pre-set time.

3700 Lucente 3.1 - with presence and light sensor - STAND-ALONE					
LED		CLD D		LUMEN OUTPUT (tq= 25 °C)	
colour	weight	code	W tot	K - ølm - CRI	
graphite	3.40	22370031-1219	150	4000K - 22012lm - CRI>80	
	3.60	22370032-1219	200	4000K - 29486lm - CRI>80	

- 
- 
- 
- 
- 
-



**Housing/frame:** in die-cast aluminium.

**Diffuser:** tempered glass, 4 mm thick, resistant to thermal shocks and impacts.

**Equipment:** complete with galvanised and coated bracket, with electrical cable for mains connection.

L 60cm<sup>2</sup>  
LFT 200cm<sup>2</sup>

LED  
50.000h

Sevilla 1

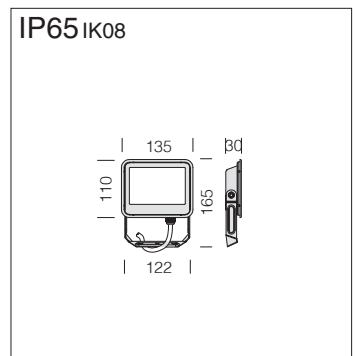
LED

LED

LED

LED

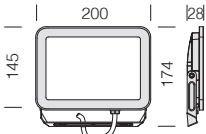
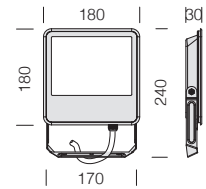
LED



**LED:** power factor:  $\geq 0,9$ . Luminous flux maintenance 80%: 50.000h (L80B20).  
Photobiological safety class: exempt group.

Sevilla 1					
LED	colour	weight	CLD	W tot	LUMEN OUTPUT (tq= 25 °C)
			code		K - ølm - CRI
LED	graphite	0.60	22413331-00	20	3000K - 2100lm - CRI 80
			22413332-00		4000K - 2200lm - CRI 80
			22413333-00		6500K - 2200lm - CRI 80

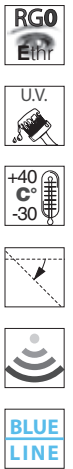
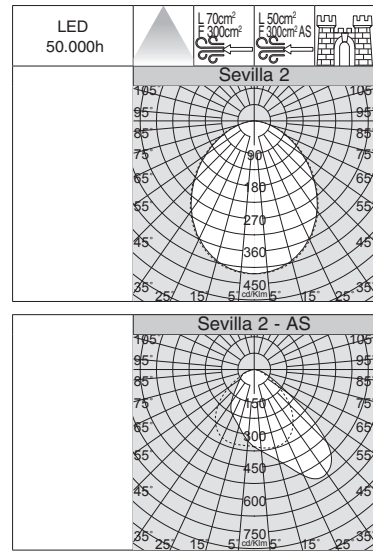
IP65 IK08



ASYMMETRIC



ASYMMETRIC



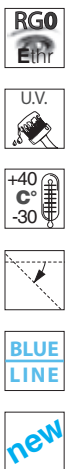
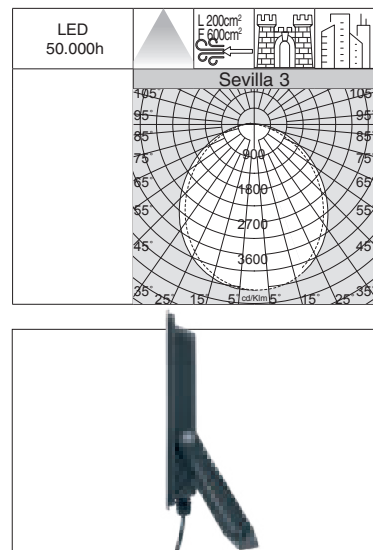
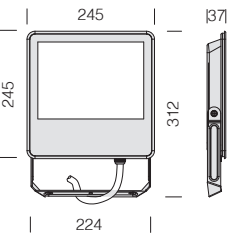
**LED:** power factor:  $\geq 0.9$ . Luminous flux maintenance 80%: 50.000h (L80B20).  
Photobiological safety class: exempt group.

Sevilla 2					
LED	colour	weight	CLD code	W tot	LUMEN OUTPUT (tq= 25 °C)
					K - $\phi$ lm - CRI
LED	graphite	1.60	22413431-00	50	3000K - 5200lm - CRI 80
			22413432-00		4000K - 5500lm - CRI 80
			22413433-00		6500K - 5500lm - CRI 80

Sevilla 2 - asymmetric					
LED	colour	weight	CLD code	W tot	LUMEN OUTPUT (tq= 25 °C)
					K - $\phi$ lm - CRI
LED	graphite	0.80	22413434-00	50	3000K - 5000lm - CRI 80
			22413435-00		4000K - 5500lm - CRI 80
			22413436-00		6500K - 5500lm - CRI 80

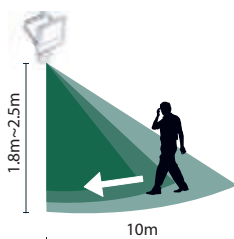
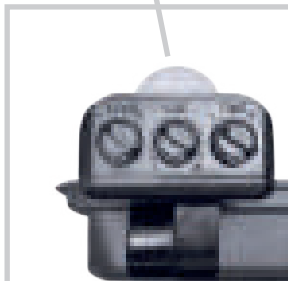
new

IP65 IK08



**LED:** power factor:  $\geq 0.9$ . Luminous flux maintenance 80%: 50.000h (L80B20).  
Photobiological safety class: exempt group.

Sevilla 3					
LED	colour	weight	CLD code	W tot	LUMEN OUTPUT (tq= 25 °C)
					K - $\phi$ lm - CRI
LED	graphite	2.10	22413531-00	90	3000K - 9200lm - CRI 80
			22413532-00		4000K - 9900lm - CRI 80
			22413533-00		6500K - 9900lm - CRI 80



#### TECHNICAL SPECIFICATIONS

<b>Power source</b>	220-240V AC
<b>Frequency</b>	50Hz
<b>Ambient light</b>	<10-2000 Lux (adjustable)
<b>Time delay</b>	min: 10sec±3sec max: 7min±3min
<b>Detection range</b>	120°
<b>Detection distance</b>	2-8m
<b>Installation height</b>	1.8m~2.5m
<b>Motion detection speed</b>	0,6-1-1,5 m/s

#### Version with sensor (sub-code -19):

is an automatic sensor that immediately sense the presence of people's movements and anyone walking past. When there is movement within the sensor's detection range, the light will remain ON. When no further movement is detected, the light will switch OFF after a pre-set time.

#### HOW TO ADJUST AND TEST MOTION DETECTION



**SENS:** motion detection sensitivity can be set from 8 to 2 metres and from 0.6 m/s to 1.5 m/s. Turn the knob clockwise to decrease, anti-clockwise to increase detection distance

EXAMPLE: setting motion detection sensitivity to the lowest value means that the light detection range is from 0 to 2 m. Setting sensitivity to the highest value means that the light detection range is from 8 to 10m.

*note. Mounting height: 1.8m~2.5m*



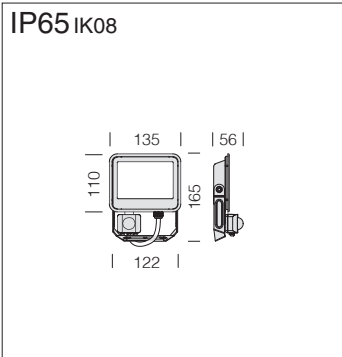
**LUX:** ambient light level can be set from 30 lux (Moon icon) to 10000 lux (Sun icon). Turn the knob clockwise to increase, anti-clockwise to decrease.

EXAMPLE: the lowest value (Moon icon) means that lights will operate only from dusk to dawn after motion is detected. Lights will not go on during daylight hours. The highest value means that lights will go on whenever motion is detected, during the day and at night.

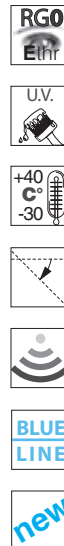
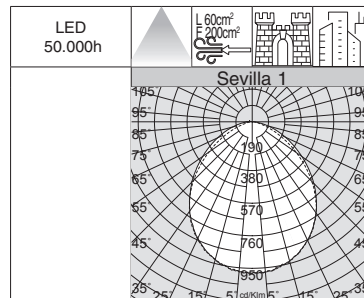


**TIME:** duration of lights after motion is detected can be set from 10 ± 3 seconds to 8 minutes. Turn the knob clockwise to decrease, anti-clockwise to increase.

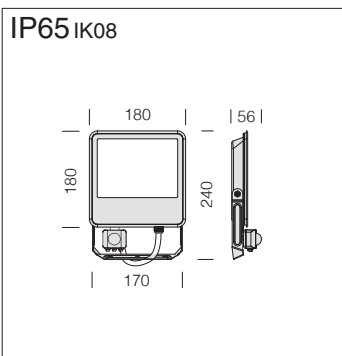
EXAMPLE: the lowest value means that lights will stay on for 10 seconds after motion is detected. The highest value means that lights will stay on for 8 minutes after motion is detected. Adjusting the TIME will allow you to automatically control lights with the proper duration and reduce the energy consumption.



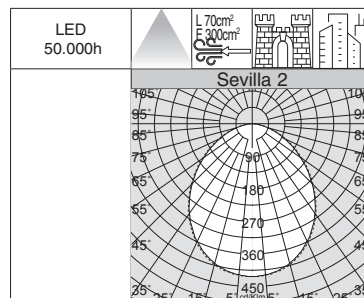
**LED:** power factor:  $\geq 0,9$ . Luminous flux maintenance 80%: 50.000h (L80B20).  
Photobiological safety class: exempt group.



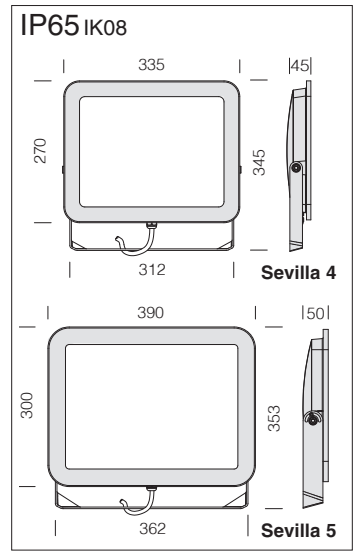
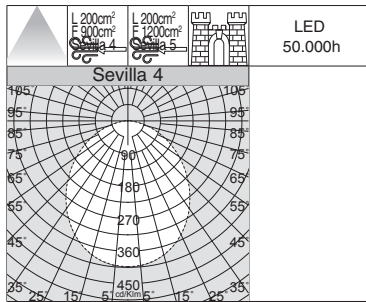
Sevilla 1 - with light / presence sensor (ON-OFF)					
		CLD		LUMEN OUTPUT (tq= 25 °C)	
LED	colour	weight	code	W tot	K - ølm - CRI
LED	graphite	0.60	22413331-19	20	3000K - 2100lm - CRI 80
			22413332-19		4000K - 2200lm - CRI 80
			22413333-19		6500K - 2200lm - CRI 80



**LED:** power factor:  $\geq 0,9$ . Luminous flux maintenance 80%: 50.000h (L80B20).  
Photobiological safety class: exempt group.



Sevilla 2 - with light / presence sensor (ON-OFF)					
		CLD		LUMEN OUTPUT (tq= 25 °C)	
LED	couleur	poids	code	W tot	K - ølm - CRI
LED	graphite	1.60	22413431-19	50	3000K - 5200lm - CRI 80
			22413432-19		4000K - 5500lm - CRI 80
			22413433-19		6500K - 5500lm - CRI 80



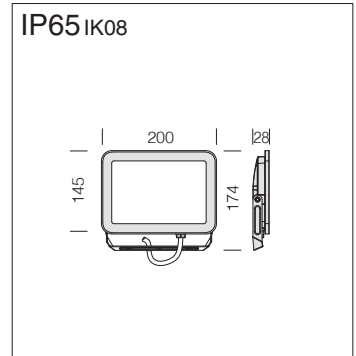
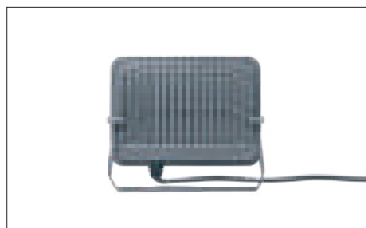
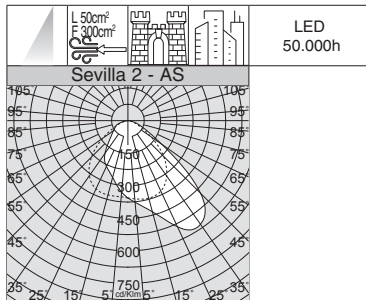
Sevilla 4				
		CLD		LUMEN OUTPUT (tq= 25 °C)
LED	colour	weight	code	W tot
LED	graphite	2,80	22413632-00	150
			22413633-00	
K - ølm - CRI				
4000K - 16400lm - CRI 80				
6500K - 16400lm - CRI 80				

Sevilla 5				
		CLD		LUMEN OUTPUT (tq= 25 °C)
LED	colour	weight	code	W tot
LED	graphite	3,90	22413732-00	200
			22413733-00	
K - ølm - CRI				
4000K - 22200lm - CRI 80				
6500K - 22200lm - CRI 80				

**Equipment:** complete with electrical cable for mains connection L=0,55m.

**LED:** power factor: ≥0,9. Luminous flux maintenance 80%: 50.000h (L80B20).

Photobiological safety class: exempt group.



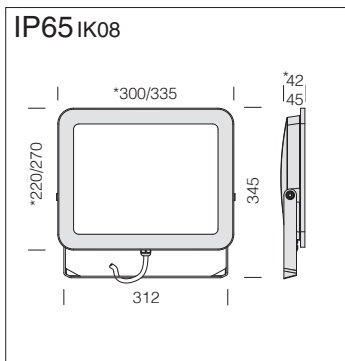
Sevilla 2 - asymmetric				
		CLD		LUMEN OUTPUT (tq= 25 °C)
LED	colour	weight	code	W tot
LED	graphite	0.80	22413434-00	50
			22413435-00	
			22413436-00	
K - ølm - CRI				
3000K - 5000lm - CRI 80				
4000K - 5500lm - CRI 80				
6500K - 5500lm - CRI 80				

**Equipment:** complete with electrical cable for mains connection.

**LED:** power factor: ≥0,9. Luminous flux maintenance 80%: 50.000h (L80B20).

Photobiological safety class: exempt group.

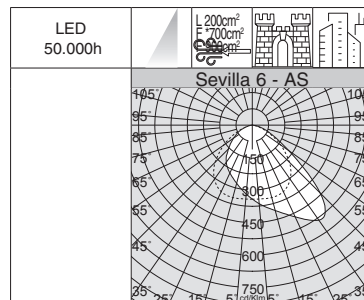




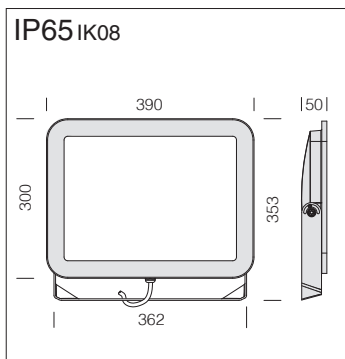
**Equipment:** complete with electrical cable for mains connection L=0,55m.

**LED:** power factor:  $\geq 0,9$ . Luminous flux maintenance 80%: 50.000h (L80B20).

Photobiological safety class: exempt group.



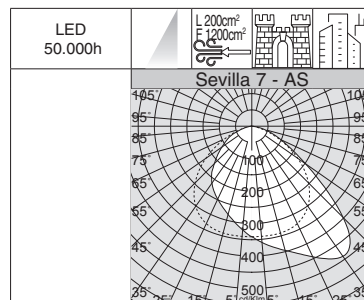
Sevilla 6 - asymmetric					
LED	colour	weight	CLD	W tot	LUMEN OUTPUT (tq= 25 °C)
			code		K - ølm - CRI
LED	graphite	4,50	* 22413831-00	100	2700K - 11373lm - CRI 80
			* 22413838-00		3000K - 11373lm - CRI 80
			* 22413835-00		4000K - 12230lm - CRI 80
			* 22413837-00		6500K - 12230lm - CRI 80
LED	graphite	4,60	22413836-00	150	2700K - 14871lm - CRI 80
			22413834-00		3000K - 14871lm - CRI 80
			22413832-00		4000K - 15990lm - CRI 80
			22413833-00		6500K - 15990lm - CRI 80



**Equipment:** complete with electrical cable for mains connection L=0,55m.

**LED:** power factor:  $\geq 0,9$ . Luminous flux maintenance 80%: 50.000h (L80B20).

Photobiological safety class: exempt group.



Sevilla 7 - asymmetric					
LED	colour	weight	CLD	W tot	LUMEN OUTPUT (tq= 25 °C)
			code		K - ølm - CRI
LED	graphite	6,30	22413931-00	200	2700K - 19156lm - CRI 80
			22413934-00		3000K - 19156lm - CRI 80
			22413932-00		4000K - 20598lm - CRI 80
			22413933-00		6500K - 20598lm - CRI 80

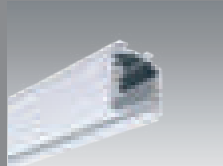


**TECHNO TRACK**



Techno Track p. 378

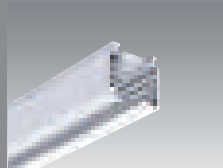
**OMNITRACK PLUS**



Omnitrack PLUS p. 384

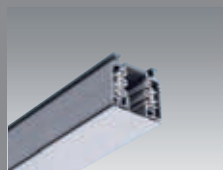
Omnitrack PLUS p. 388  
Recessed track

**OMNITRACK  
3 CIRCUIT**



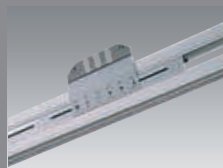
Omnitrack p. 390  
3 circuit track

**OMNITRACK IP40**



Omnitrack IP40 p. 390

**OMNITRACK IP40 DOUBLE**



Omnitrack IP40 p. 394  
Double track



**Techno Track** is a new modular lighting system that can be secured directly onto the cable track in a simple and, above all, safe manner thanks to the mechanical clamp. **Techno Track** has a wide range of latest generation LED optics to meet the different lighting needs of shops and retail areas.

**Upon request:** version with CASAMBI automation lighting control system.  
For further information see chapter *Technical components*.

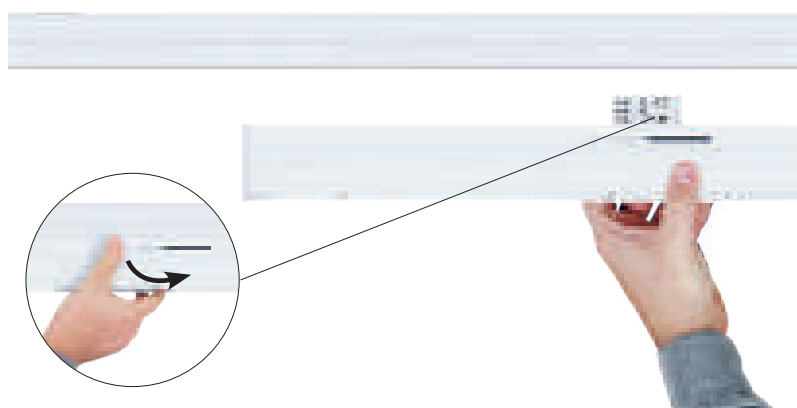


The right lighting and fixture play a vital role in facilitating sales. This is the reason why LED fixtures with a **CRI>90** are being requested. Therefore, the current trend is geared towards the manufacturing of more flexible fixtures, which also emit an excellent quality of light, while guaranteeing remarkable energy savings and lower maintenance costs.

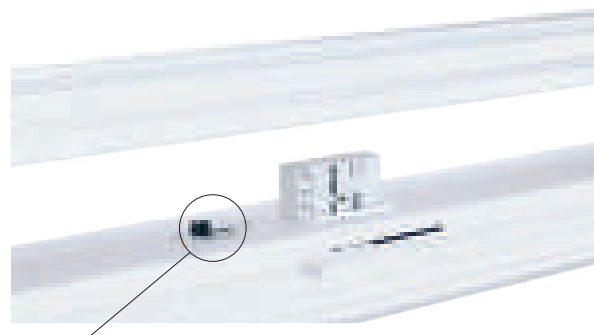
The Colour Rendering Index (**CRI**) indicates how truthfully the artificial light source is able to reproduce the colours of objects. It varies from a range of **0 to 100**, where **0 represents the minimum** and **100 is the maximum**. Daylight is the best source of light from a physiological point of view because it contains the full colour spectrum. Therefore, a lamp with a high colour rendering index is very important to ensure the wellbeing and comfort of the occupants of a room and it is absolutely necessary in rooms where good visibility is required.



The fixture can be easily and, above all, safely hooked to the track with the clips thanks to the mechanical safety locking system.



The fastening adapter is also used to make electrical connections and install Techno Track on electrified track systems.

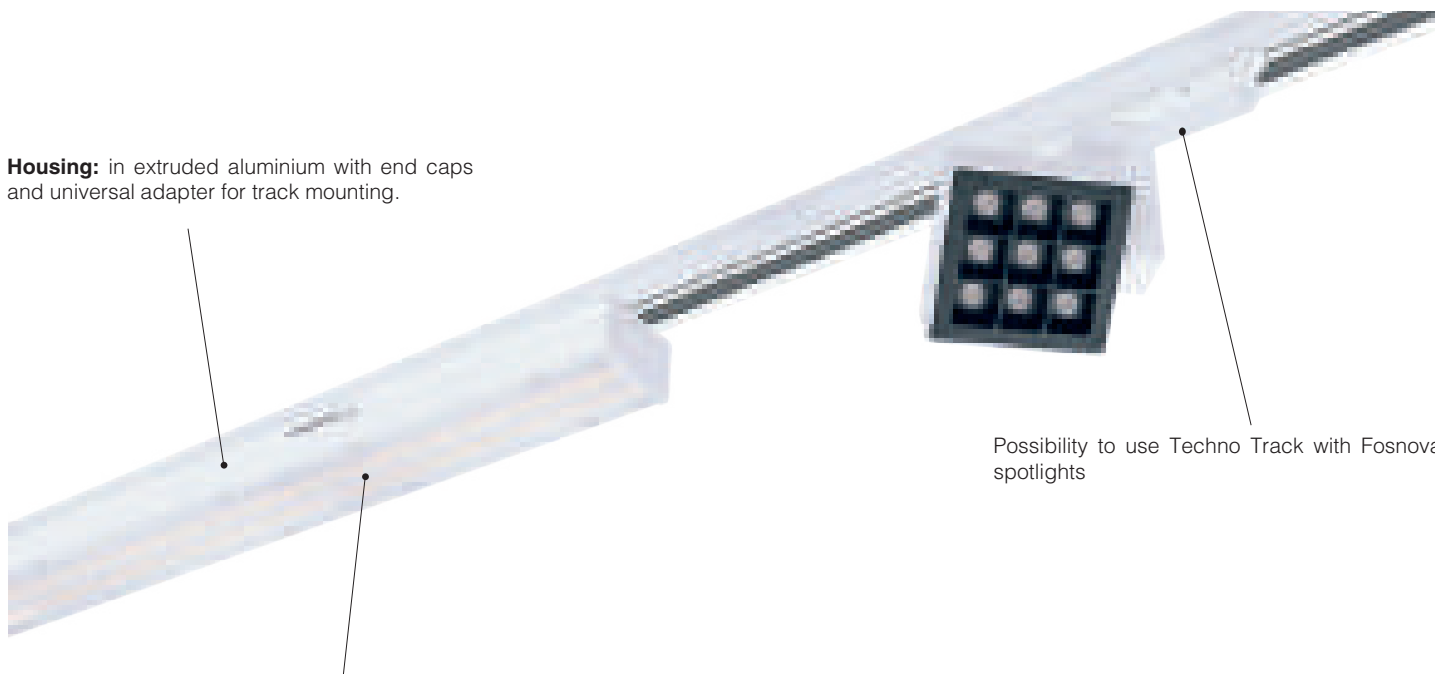


Possibility to manually choose the start-up line thanks to a selector switch integrated inside the fixture's housing.

The special technology used to develop the adapter ensures the perfect alignment of the modules thanks to the absence of any lateral protrusions. This allows acting on individual modules in order to guarantee a final "continuous light" effect.

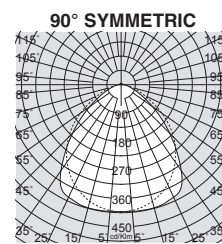
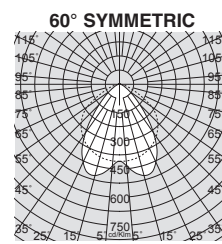
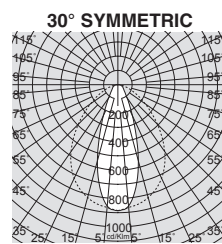
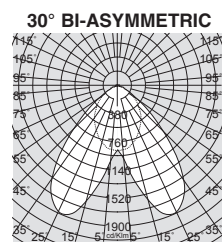
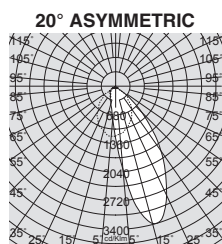
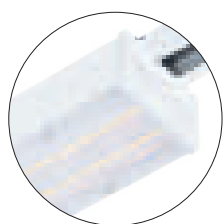


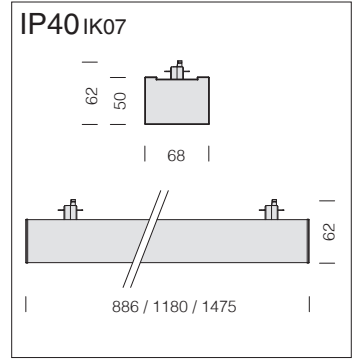
**Housing:** in extruded aluminium with end caps and universal adapter for track mounting.



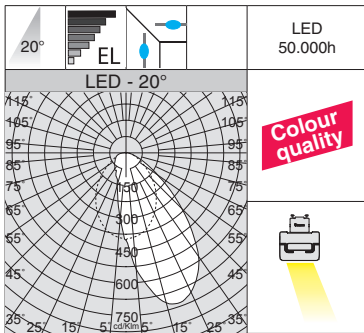
Possibility to use Techno Track with Fosnova spotlights

**Optics:** with high-performance PMMA lenticular lens. **Techno Track** includes versions featuring optics 20° asymmetric and 30° bi-asymmetric angles and optics with 30° - 60° - 90° wide beam, making it the best product to fulfil the different lighting requirements of new lighting systems.v



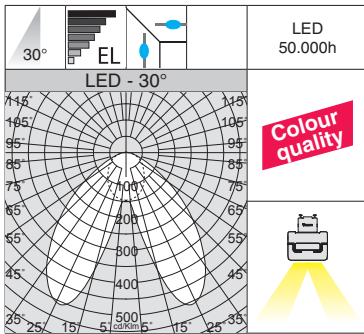


**IP40 IK07**  
**LED:** luminous flux maintenance 80%: 50.000h (L80B20). Power factor >0.9.



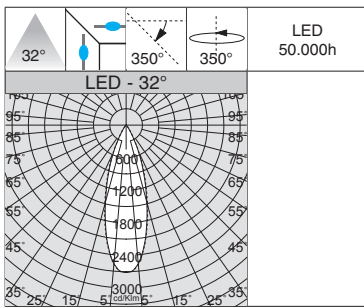
Techno Track 4 - asymmetric 20°					
LED	colour	L	code	W tot	LUMEN OUTPUT (tq= 25 °C)
K - ølm - CRI - degrees					
LED 3 modules	white	886	22300510-39	28	3000K - 2868lm - <b>CRI&gt;90</b> - 20°
			22300510-00		4000K - 3084lm - <b>CRI&gt;90</b> - 20°
LED 4 modules	white	1180	22300511-39	38	3000K - 3824lm - <b>CRI&gt;90</b> - 20°
			22300511-00		4000K - 4112lm - <b>CRI&gt;90</b> - 20°
LED 5 modules	white	1475	22300512-39	47	3000K - 4780lm - <b>CRI&gt;90</b> - 20°
			22300512-00		4000K - 5140lm - <b>CRI&gt;90</b> - 20°

Version with universal adapter to be used with Omnitrack to be purchased separately.



Techno Track 5 - bi-asymmetric 30°					
LED	colour	L	code	W tot	LUMEN OUTPUT (tq= 25 °C)
K - ølm - CRI - degrees					
LED 3 modules	white	886	22300610-39	28	3000K - 3141lm - <b>CRI&gt;90</b> - 30°
			22300610-00		4000K - 3377lm - <b>CRI&gt;90</b> - 30°
LED 4 modules	white	1180	22300611-39	38	3000K - 4188lm - <b>CRI&gt;90</b> - 30°
			22300611-00		4000K - 4503lm - <b>CRI&gt;90</b> - 30°
LED 5 modules	white	1475	22300612-39	47	3000K - 5234lm - <b>CRI&gt;90</b> - 30°
			22300612-00		4000K - 5628lm - <b>CRI&gt;90</b> - 30°

Version with universal adapter to be used with Omnitrack to be purchased separately.



Matrix Q9 DARK "A" - DIP SWITCH						
LED	colour	weight	code	I out	W tot	LUMEN OUTPUT (tq= 25 °C)
K - ølm - CRI - degrees						
LED	white	0,75	22103010-00	1050	28	3000K - 2109lm - CRI>80 - 32°
			22103011-00			4000K - 2220lm - CRI>80 - 32°
LED	white	0,75	22103014-00	1050	28	3000K - 2183lm - CRI>80 - 50°
			22103015-00			4000K - 2298lm - CRI>80 - 50°

DIP SWITCH SETTING					
I out	W tot	LUMEN OUTPUT (tq= 25 °C)			
K - ølm - CRI - degrees					
900	25	3000K - 1885lm - CRI>80 - 32°			
1000	27	3000K - 2043lm - CRI>80 - 32°			
1050	28	3000K - 2109lm - CRI>80 - 32°			

DIP SWITCH SETTING					
I out	W tot	LUMEN OUTPUT (tq= 25 °C)			
K - ølm - CRI - degrees					
900	25	4000K - 1984lm - CRI>80 - 32°			
1000	27	4000K - 2150lm - CRI>80 - 32°			
1050	28	4000K - 2220lm - CRI>80 - 32°			

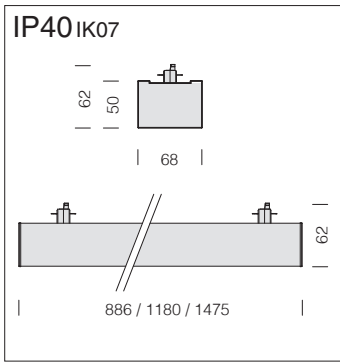
DIP SWITCH SETTING					
I out	W tot	LUMEN OUTPUT (tq= 25 °C)			
K - ølm - CRI - degrees					
900	25	3000K - 1951lm - CRI>80 - 50°			
1000	27	3000K - 2114lm - CRI>80 - 50°			
1050	28	3000K - 2183lm - CRI>80 - 50°			

DIP SWITCH SETTING					
I out	W tot	LUMEN OUTPUT (tq= 25 °C)			
K - ølm - CRI - degrees					
900	25	4000K - 2054lm - CRI>80 - 50°			
1000	27	4000K - 2226lm - CRI>80 - 50°			
1050	28	4000K - 2298lm - CRI>80 - 50°			





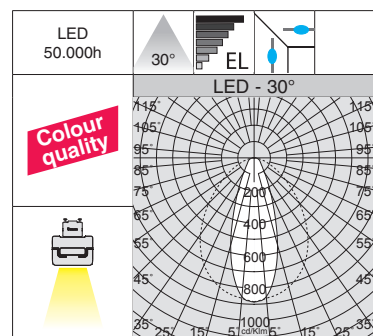


**LED:** luminous flux maintenance 80%: 50.000h (L80B20). Power factor >0.9.



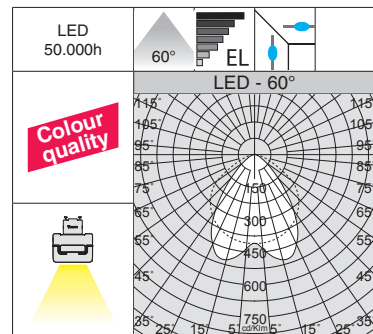
Techno Track 1 - symmetric 30°					
LED	colour	L	CLD code	W tot	LUMEN OUTPUT (tq= 25 °C) K - ølm - CRI - degrees
LED 3 modules	white	886	22300210-39	28	3000K - 3246lm - <b>CRI&gt;90</b> - 30°
			22300210-00		4000K - 3490lm - <b>CRI&gt;90</b> - 30°
LED 4 modules	white	1180	22300211-39	38	3000K - 4325lm - <b>CRI&gt;90</b> - 30°
			22300211-00		4000K - 4651lm - <b>CRI&gt;90</b> - 30°
LED 5 modules	white	1475	22300212-39	47	3000K - 5403lm - <b>CRI&gt;90</b> - 30°
			22300212-00		4000K - 5810lm - <b>CRI&gt;90</b> - 30°

Version with universal adapter to be used with Omnitrack to be purchased separately.



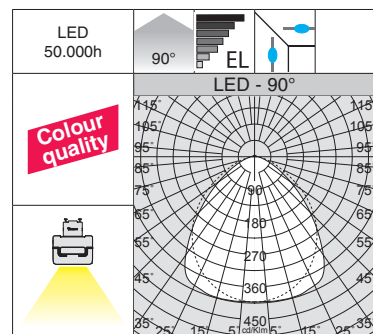
Techno Track 2 - symmetric 60°					
LED	colour	L	CLD code	W tot	LUMEN OUTPUT (tq= 25 °C) K - ølm - CRI - degrees
LED 3 modules	white	886	22300310-39	28	3000K - 3222lm - <b>CRI&gt;90</b> - 60°
			22300310-00		4000K - 3465lm - <b>CRI&gt;90</b> - 60°
LED 4 modules	white	1180	22300311-39	38	3000K - 4297lm - <b>CRI&gt;90</b> - 60°
			22300311-00		4000K - 4620lm - <b>CRI&gt;90</b> - 60°
LED 5 modules	white	1475	22300312-39	47	3000K - 5371lm - <b>CRI&gt;90</b> - 60°
			22300312-00		4000K - 5775lm - <b>CRI&gt;90</b> - 60°

Version with universal adapter to be used with Omnitrack to be purchased separately.



Techno Track 3 - symmetric 90°					
LED	colour	L	CLD code	W tot	LUMEN OUTPUT (tq= 25 °C) K - ølm - CRI - degrees
LED 3 modules	white	886	22300410-39	28	3000K - 3181lm - <b>CRI&gt;90</b> - 90°
			22300410-00		4000K - 3420lm - <b>CRI&gt;90</b> - 90°
LED 4 modules	white	1180	22300411-39	38	3000K - 4240lm - <b>CRI&gt;90</b> - 90°
			22300411-00		4000K - 4559lm - <b>CRI&gt;90</b> - 90°
LED 5 modules	white	1475	22300412-39	47	3000K - 5301lm - <b>CRI&gt;90</b> - 90°
			22300412-00		4000K - 5700lm - <b>CRI&gt;90</b> - 90°

Version with universal adapter to be used with Omnitrack to be purchased separately.



16  
**A**



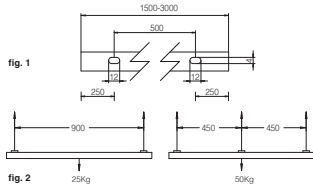
DIMM  
DIG

EM

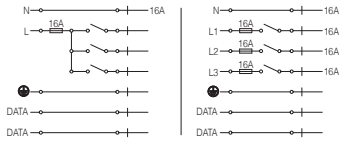


new

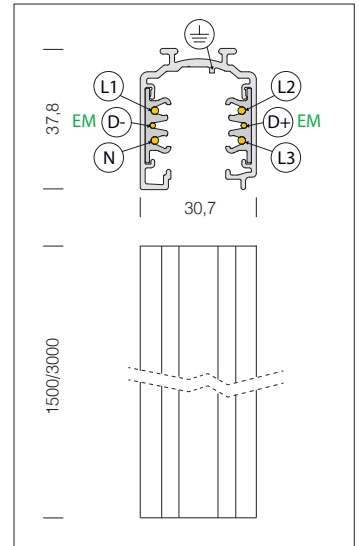
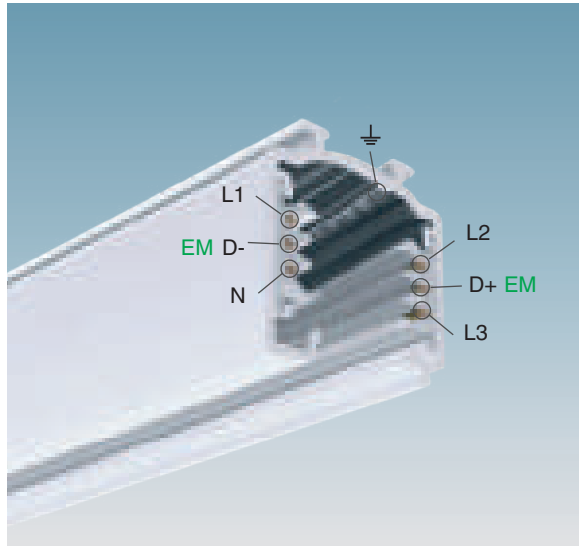
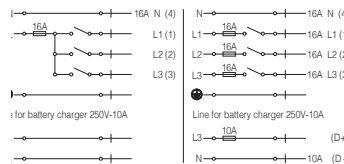
For direct ceiling or wall mounting, use the slots in the track (fig.1).  
For suspension mounting with accessories, do not exceed the maximum loads indicated (fig.2).



For cable layout, follow the wiring diagrams as shown below:



The emergency lamp and the battery **MUST ALWAYS** be connected to the same L3 phase:



Omnitrack PLUS - 6 conductors		
	L	S
colour		code
white	1500	22013310-00
	3000	22013313-00
black	1500	22013330-00
	3000	22013333-00

Upon request: L= 2000 version

**Omnitrack PLUS 6 conductors:** the Omnitrack PLUS track-mounted system is a mixed three-phase system with two additional cables for the management of other signals (for example DALI, DMX, etc).

With the dedicated **EM KIT** and the retraction of the central conductors, the Omnitrack PLUS system can be used for a 250V/10A ordinary battery charging line for independent emergency devices.

EM Kit with safety inserts is to be purchased separately to turn Omnitrack PLUS into an emergency lamp.

**NOTE :** inserts must be used every time the track is interrupted.

**KIT EM 1**  
22026814-00

**Power supply EM end cap insert**

22026710/30/11/31-00

22026612/32/18/38-00

**KIT EM 1 x2pcs**

22026613/33/14/34-00  
22026615/35/16/36-00

**KIT EM 1 x3pcs**

22026617/37-00

**KIT EM 1 x4pcs**

**KIT EM 2**  
22026815-00

**EM insert for joints**

22026218/38-00

22026619-00

T<sub>c</sub> max: 0,7 Nm

T<sub>c</sub> max: 0,5 Nm

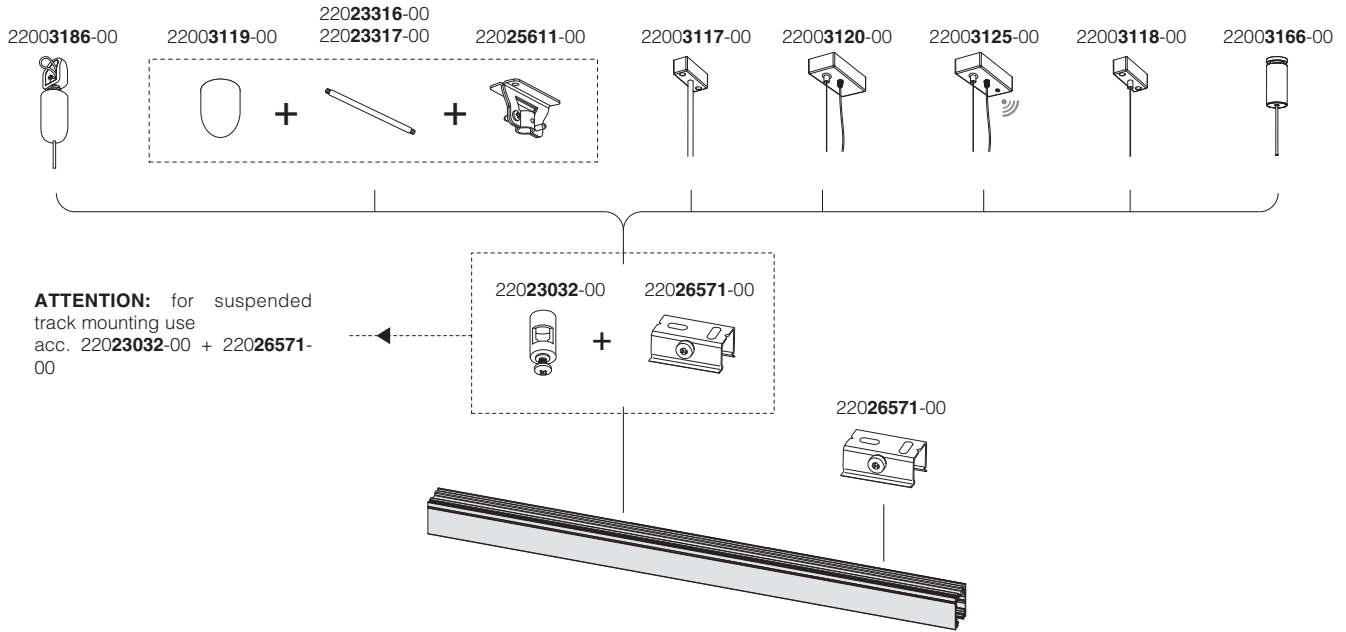
**KIT EM 3**  
22026816-00

**EM end cap insert**

22026810/30-00

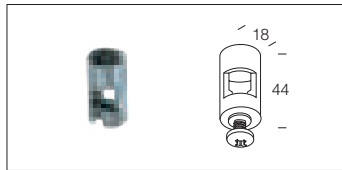
T<sub>c</sub> max: 0,5 Nm

Accessories with possible combinations for suspension/ ceiling mounting

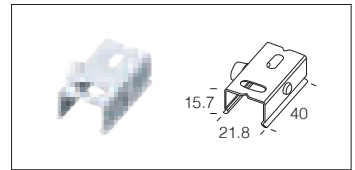


**ATTENTION:** for suspended track mounting use acc. 22023032-00 + 22026571-00

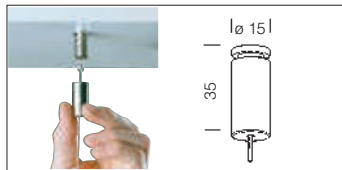
<b>Suspension attachment</b>	
	22023032-00
With millimetre adjustment device. For suspended track mounting use with acc. 22026571-00	



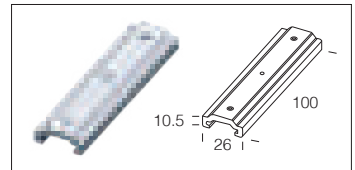
<b>Ceiling Connection</b>	
steel	22026571-00
Device to fasten track to the ceiling or wall, also helps slide the track along its axis.	



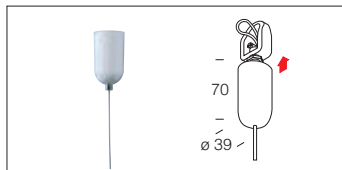
<b>Suspension</b>	
galvanised	22003166-00
Supplied with steel wire (l=1,75m) and millimetre adjustment device. Max load: 20 kg.	



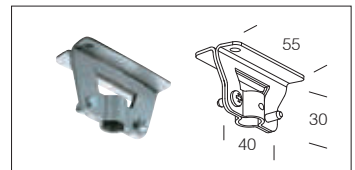
<b>bracket</b>	
aluminium	22026619-00
It permits mechanical connection of track. Use with acc. 22026218-00.	



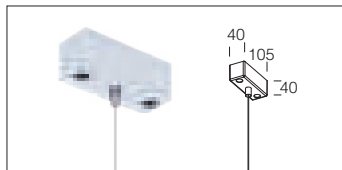
<b>Ceiling suspension</b>	
white	22003186-00
black	22003106-00
With steel wire (l = 1.5 m) and millimetre adjustment device. Max load: 20 kg.	



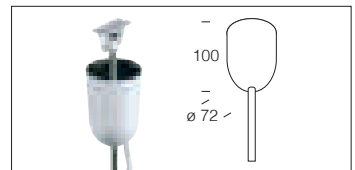
<b>Suspension attachment</b>	
steel	22025611-00
For suspension installation using a Ø10 rod. Max load: 30 kgs. Use with acc. 22003119-00.	



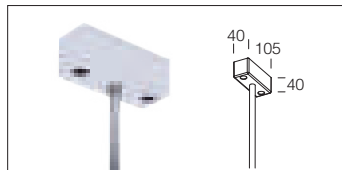
<b>Suspension with wire</b>	
white	22003118-00
black	22003138-00
Complete with steel wire (l = 100 cm) and millimetre adjustment device. Max load: 20 kg.	



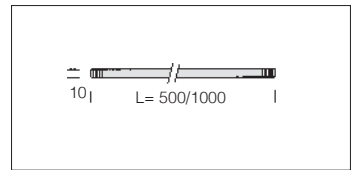
<b>Ceiling rose for suspension rod</b>	
white	22003119-00
black	22003139-00
Finishing cup to be applied with Ø 10 rods. Use with acc. 22025611-00.	



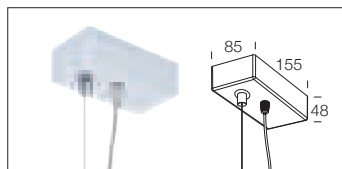
<b>Suspension with rods</b>	
white	22003117-00
black	22003137-00
Complete with rods. Max loading: 30Kg. Length: 50cm - ø10 mm.	



<b>Rods Ø 10 - white</b>	
L=500	22023316-00
L=1000	22023317-00
<b>Rods Ø 10 - black</b>	
L=500	22023336-00
L=1000	22023337-00

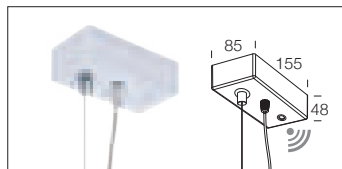


<b>5P Powered suspension</b>	
white	22003120-00
black	22003121-00
Supplied with steel wire (L = 100cm) and power cord. Max loading: 20Kg. For electric gear in EM and DIMM DALI versions.	



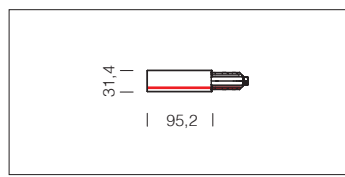
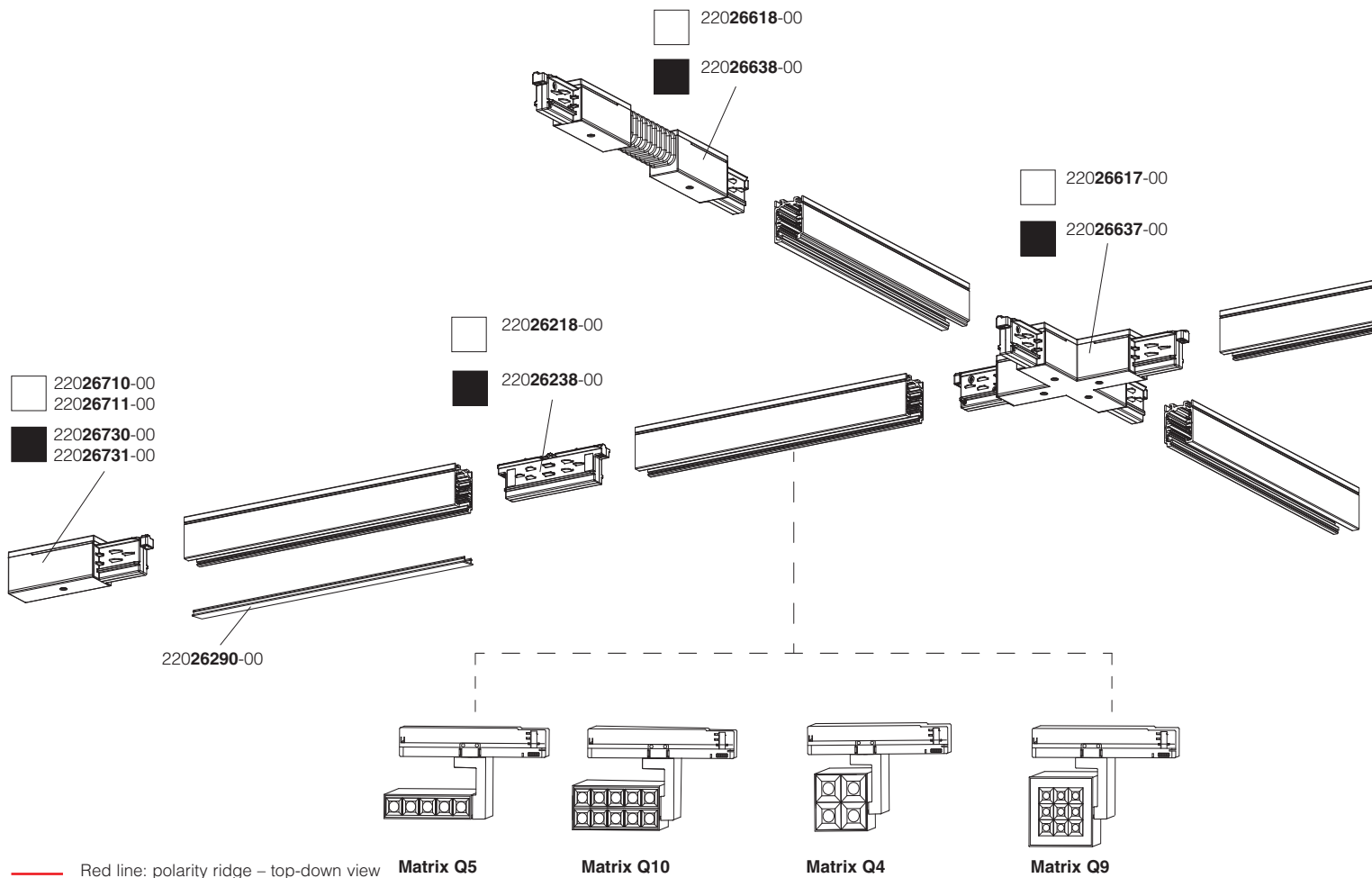
For suspension mounting in combination with acc. 22025611-00 or with acc. 22023032-00.

<b>5P WIRELESS Powered suspension</b>	
white	22003125-00
black	22003135-00
Supplied with steel wire (L = 100cm) and power cord. Max loading: 20Kg. For the WIRELESS management of DIMM DALI versions (Out DALI : Max 7mA).	

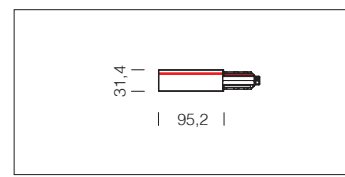


<b>Suspension wire</b>	
steel	22005226-00
100 mt. wire	

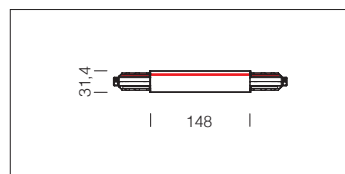
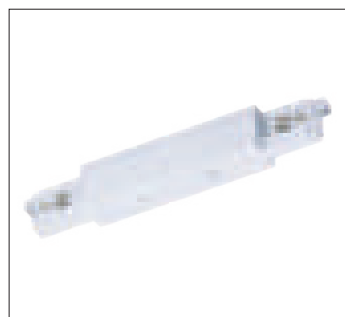




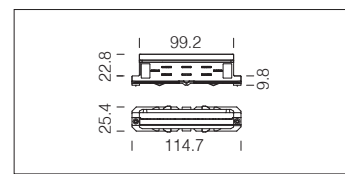
Power supply - sx	
white	22026710-00
black	22026730-00
For track power supply.	



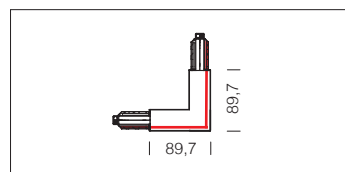
Power supply - dx	
white	22026711-00
black	22026731-00
For track power supply.	



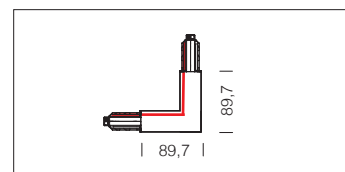
Linear joint	
white	22026612-00
black	22026632-00
It permits electric and mechanical connection.	



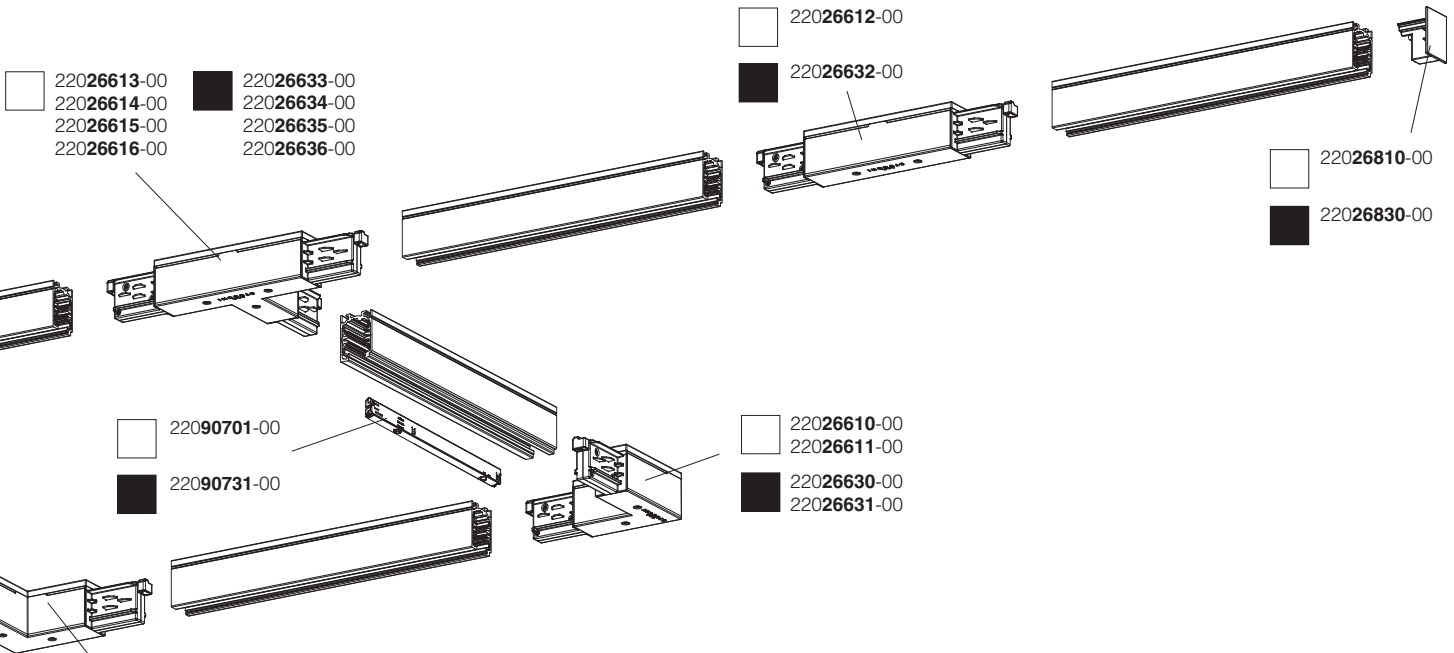
Linear joint	
white	22026618-00
black	22026638-00
For perfect alignment of powered tracks and power connection. Use with acc. 22026619-00.	



External L-shaped Joint	
white	22026610-00
black	22026630-00
It provides "external" electric connection and mechanical connection.	



Internal L-shaped joint	
white	22026611-00
black	22026631-00
It provides "internal" electric connection and mechanical connection.	



- 22026613-00
- 22026614-00
- 22026615-00
- 22026616-00
- 22026633-00
- 22026634-00
- 22026635-00
- 22026636-00

- 22026612-00
- 22026632-00

- 22026810-00
- 22026830-00

- 22090701-00
- 22090731-00

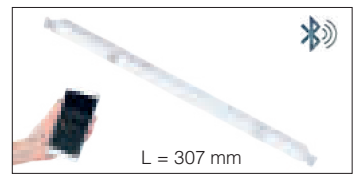
- 22026610-00
- 22026611-00
- 22026630-00
- 22026631-00

- 22026610-00
- 22026611-00
- 22026630-00
- 22026631-00

**CASAMBI/ DALI Interface**

bianco	22090701-00
nero	22090731-00

CASAMBI master interface for controlling track-mounted DALI spotlights (max 64 DALI spotlights/8 groups). Available upon request with built-in VOICE activation for Alexa and Google Home (Wi-Fi) devices.



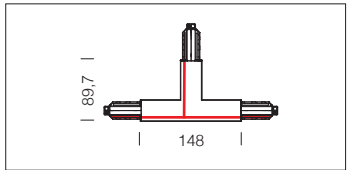
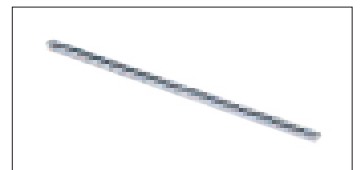
End cap	
white	22026810-00
black	22026830-00

End cap for track with locking screw.



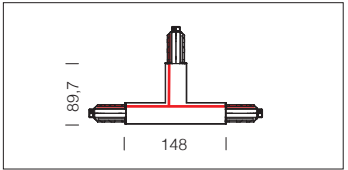
Additional cover strip	
blanco	22026290-00
black	22026291-00

To be applied to track as additional cover.



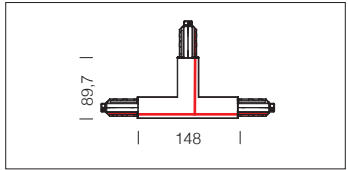
T-shaped, right sided joint	
white	22026613-00
black	22026633-00

It provides "right-sided" electric connection and mechanical connection.



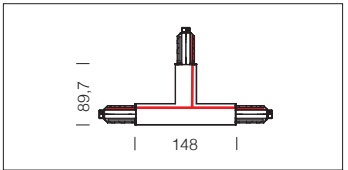
T-shaped, right sided joint	
white	22026614-00
black	22026634-00

It provides "right-sided" electric connection and mechanical connection.



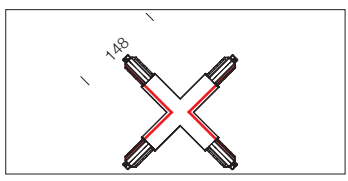
T-shaped, left sided joint	
white	22026616-00
black	22026636-00

It provides "left-sided" electric connection and mechanical connection.



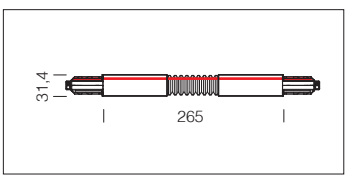
T-shaped, left sided joint	
white	22026615-00
black	22026635-00

It provides "left-sided" electric connection and mechanical connection.



Cross joint	
white	22026617-00
black	22026637-00

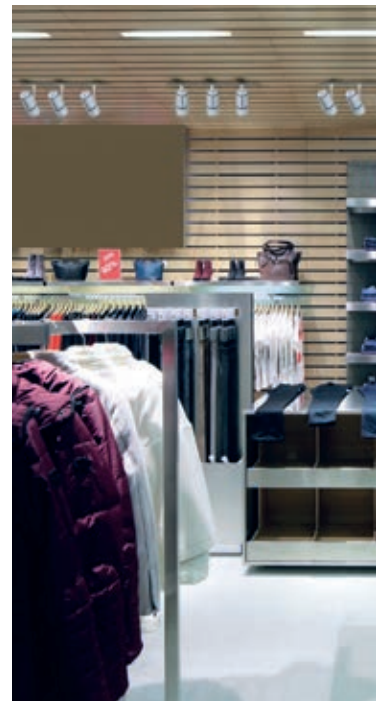
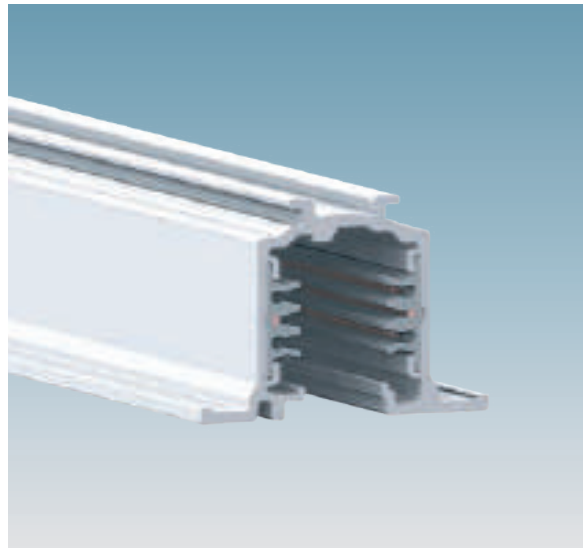
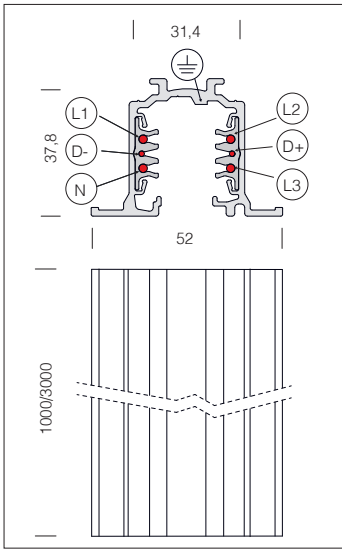
It provides "cross-shaped" electric connection and mechanical connection.



Flexible joint	
white	22026618-00
black	22026638-00

It provides electric connection and mechanical connection.





**Omnitrack PLUS 6 conductors - recessed:** the Omnitrack PLUS track-mounted system is a mixed three-phase system with two additional cables for the management of other signals (for example DALI, DMX).

Omnitrack PLUS - recessed - DIMM - 6 conductors		
		S
colour	L	code
white	1000	22013410-00
	3000	22013411-00

**ATTENTION:** for recessed mounting please replace the standard cover with the one made for false ceilings (which is not included in the package and should be ordered separately).

Fixing system with suspension bracket

max 2kg/m

max 2kg/m

21kg/32kg

For recessed mounting do not exceed the maximum loads indicated

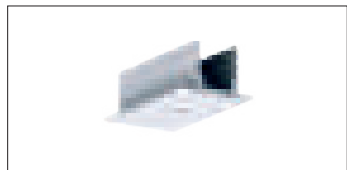
900

21Kg

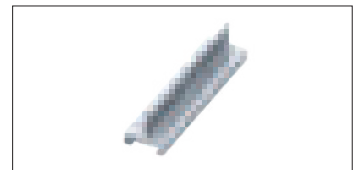
450 450

32Kg

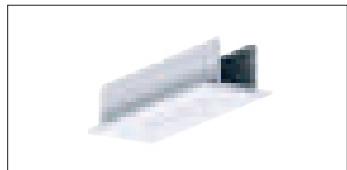
False ceiling cover for head plate	
white	22020510-00



Suspension bracket	
aluminium	22026572-00
For suspension and perfect alignment of tracks.	



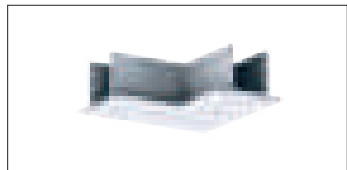
False ceiling cover for direct joint	
white	22020511-00



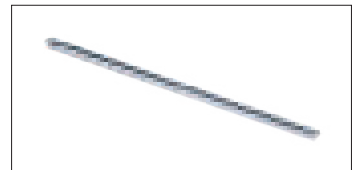
False ceiling cover for X-joint	
white	22020514-00



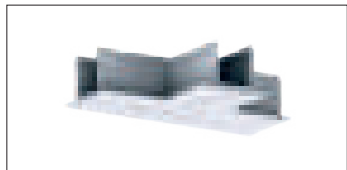
False ceiling cover for L-joint	
white	22020512-00



Additional cover strip	
blanco	22026290-00
To be applied to track as additional cover.	



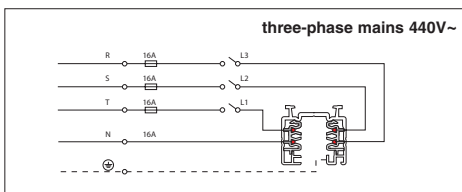
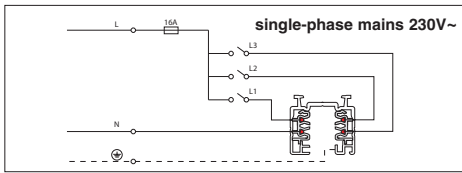
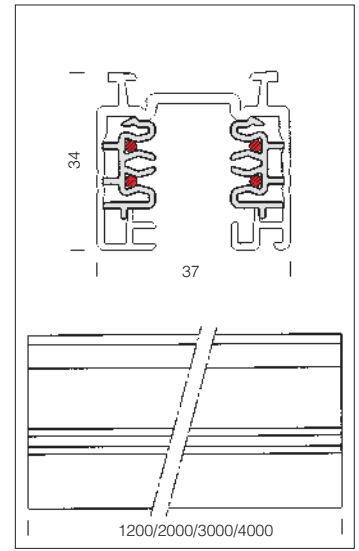
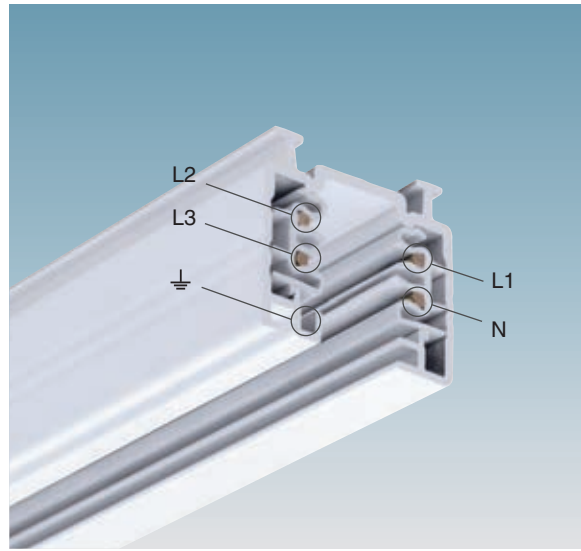
False ceiling cover for T-joint	
white	22020513-00



End cap	
white	22026811-00
End cap for track with locking screw.	



POWERED TRACKS

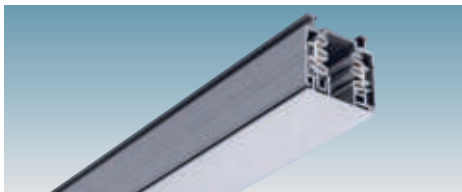


Omnitrack 3 circuit track			
S			
m	colour	weight	code
1,20	white Al. track	1,30	22015011-00
2,00		2,00	22015112-00
3,00		3,00	22015213-00
1,20	black Al. track	1,30	22015031-00
2,00		2,00	22015132-00
3,00		3,00	22015233-00
1,20	oxy. Al. track	1,30	22015071-00
2,00		2,00	22015172-00
3,00		3,00	22015273-00
4,00		4,00	22015374-00

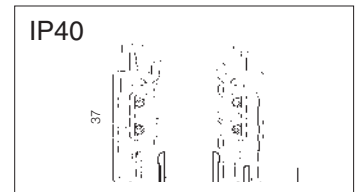
Supplied with cap.

**Housing:** Three-phase track for 3 separate electrical circuits. Extruded aluminium rectangular section, containing an insulating PVC profile with 4 copper leads, while the profile itself provides the system's grounding. Maximum load: 16A for each conductor.

**Standard supply:** Supplied with one end cap. Along the top of the track are slots to be used for fastening or recesses for insertion of accessories. Omnitrack is designed to accommodate most adapters available on the market. Upon request,

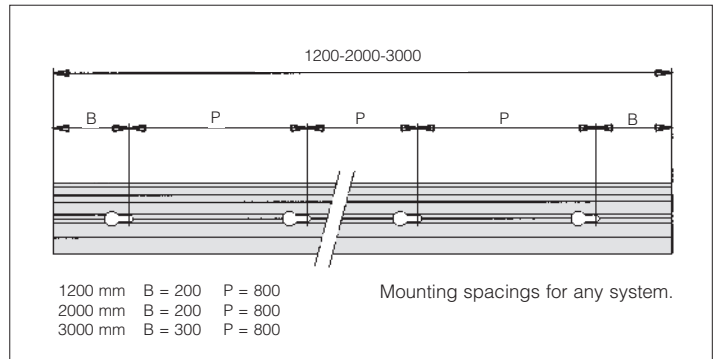


Omnitrack with IP40 cover			
S			
m	colour	weight	code
1,20	oxy. Al. track	0,60	22015072-00
2,00		2,40	22015173-00
3,00		3,60	22015274-00
4,00		4,80	22015375-00



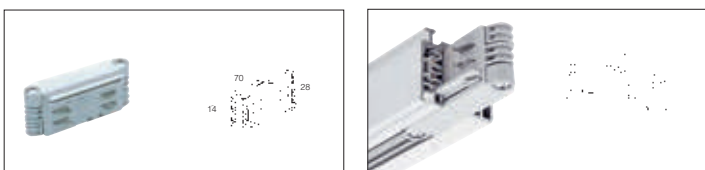
It allows the power cable to be inserted either into the end cap or from the top.

The power supply includes an accessory for the choice of different phases and ground contacts.



Power supply			
material	colour	weight	code
polycarbonate	white	0,09	22025102-00
	grey		22025110-00
	black		22025131-00

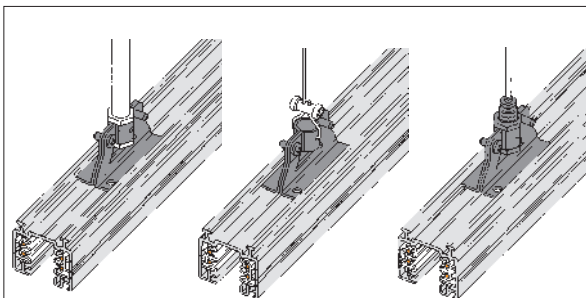
For track power supply. Quick-connect with a guide pawl and an accessory for the selection of phase-neutral position.



Linear joint			
material	colour	weight	code
polycarbonate	white	0,08	22025404-00
	grey		22025410-00
	black		22025435-00

For perfect alignment of POWERED TRACKS and power connection. Quick-connect with a guide pawl.



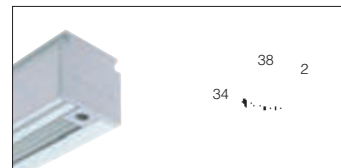


The track is equipped with a slot for direct ceiling installation without accessories, or for suspension installation. The slot enables:

- suspension with Ø 13 rod
- steel wire suspension
- direct ceiling installation by means of fisher screws.

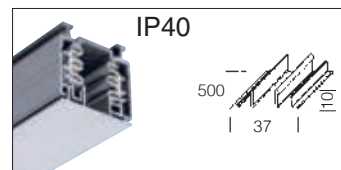
End cap	
white	22025505-00
grey	22025510-00
black	22025536-00

Polycarbonate. To be used when the track is cut into several pieces.



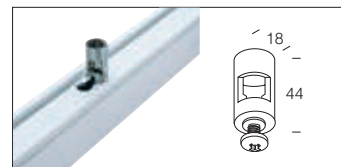
Omnitrack with IP40 cover	
white Al. track	22025515-00
black Al. track	22025533-00
oxy. Al. track	22025572-00

To be applied to Omnitrack track as a cover, in this case the track complies with IP40 rating, according to CEI EN 60529 standard.



Suspension attachment rods ø 13	
steel	22023031-00

To be used with rods Ø13. Max load 20 kg every 35 cm.

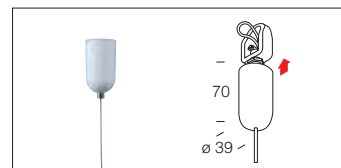


Suspension attachment	
	22023032-00

With millimetre adjustment device to be used with acc. 22003106/86/07/87/66-00.

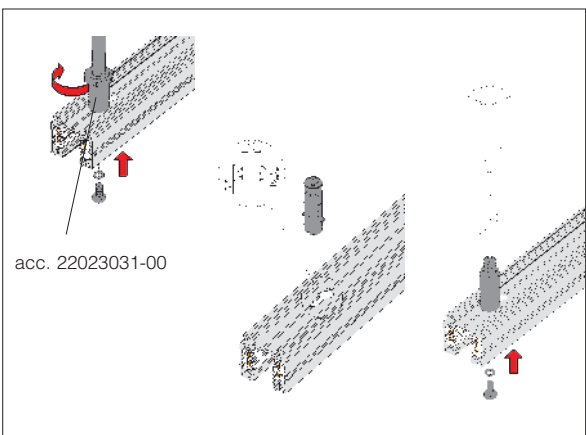
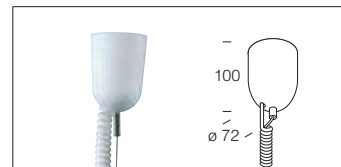
Ceiling suspension	
white	22003186-00
black	22003106-00

With steel wire (l = 1.5 m) and millimetre adjustment device. Max load: 20 kg.



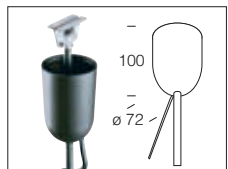
Powered ceiling suspension 3 p.	
white	22003187-00
black	22003107-00

With steel wire (l=1.5m), adjustment device, and power cord. Max load: 20 kg.



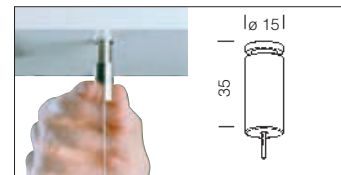
Ceiling rose for suspension rod	
white	22003119-00
black	22003139-00

Finishing cup to be applied with Ø 10 rods.

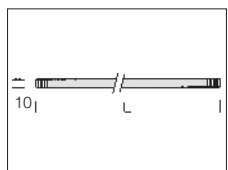


Suspension attachment	
nickel-plated	22003166-00

Suspension system supplied with steel wire (l=1.75m) with a millimetre adjustable device. Max load: 20 kg.

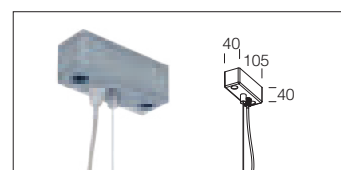


Rods Ø 10 - white	
L=500	22023316-00
L=1000	22023317-00
Rods Ø 10 - black	
L=500	22023336-00
L=1000	22023337-00



Powered suspension with wire - 3 p.	
silver	22003174-00
white	22003190-00

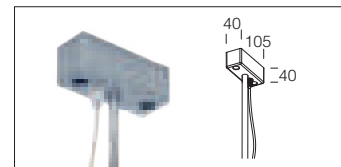
Supplied with steel wire (L = 100cm) and millimetre adjustment device and power cord. Max loading: 20Kg.



For suspension mounting in combination with acc. 22025611-00 or with acc. 22023032-00.

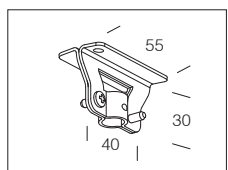
Powered suspension with rods	
silver	22003175-00
white	22003116-00

Complete with power cord and rods. Max loading: 30Kg. Length: 50cm - ø10 mm.



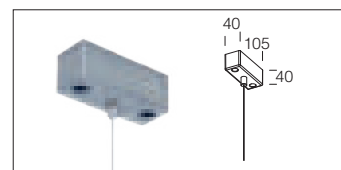
Suspension attachment	
steel	22025611-00

For suspension installation using a Ø10 rod, steel wire acc. 22003106/86-00 or 22003187/07-00. Optionally, it can be made to slide along the track's axis. Max load: 20 kg. with steel wire and 30 kgs with rods.



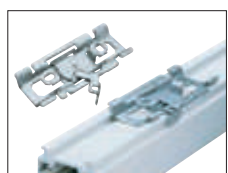
Suspension with wire	
silver	22003176-00
white	22003118-00

Complete with steel wire (L = 100cm) and millimetre adjustment device. Max load: 20 kg.



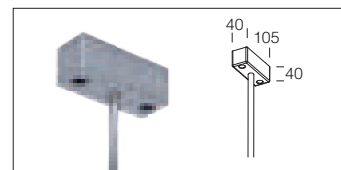
Ceiling Connection	
steel	22025610-00

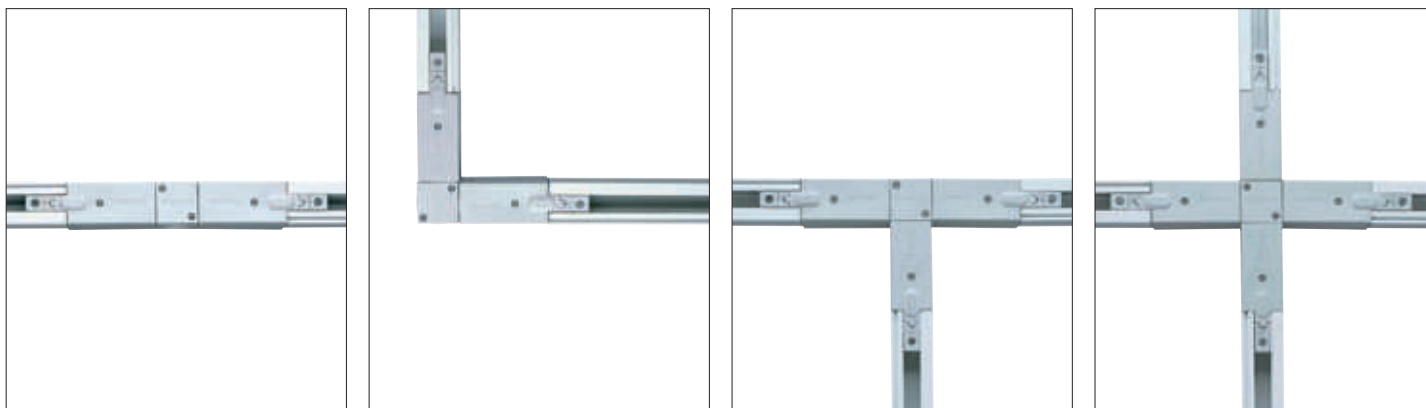
Device to fasten track to the ceiling or wall, also helps slide the track along its axis. Max load: 20 kg. every 35 cm.



Suspension with rods	
silver	22003177-00
white	22003117-00

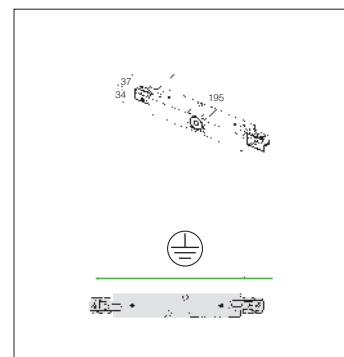
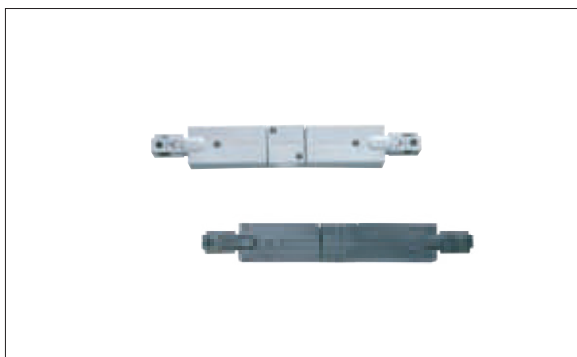
Complete with rods. Max loading: 30Kg. Length: 50cm - ø10 mm.





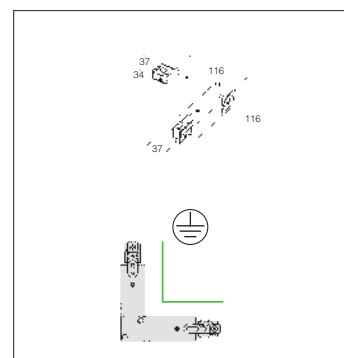
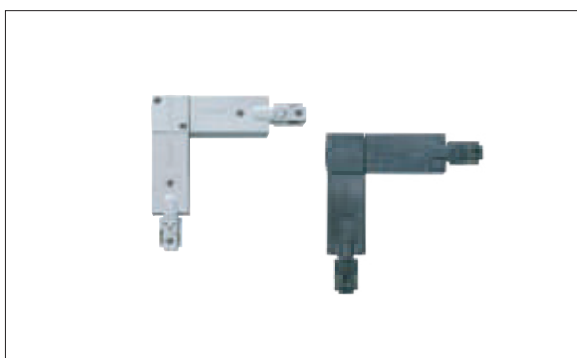
Made of polycarbonate. Preassembled component, ready to use. It permits electric and mechanical connection. Includes three end plugs and power cable.

Linear joint		
colour	weight	code
white	0.20	220 <b>25104</b> -00
grey		220 <b>25111</b> -00
black		220 <b>25132</b> -00



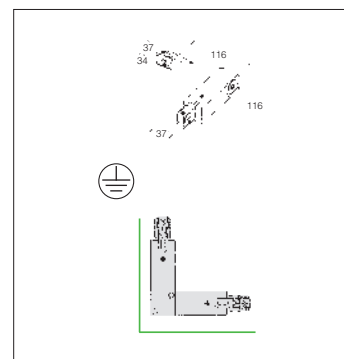
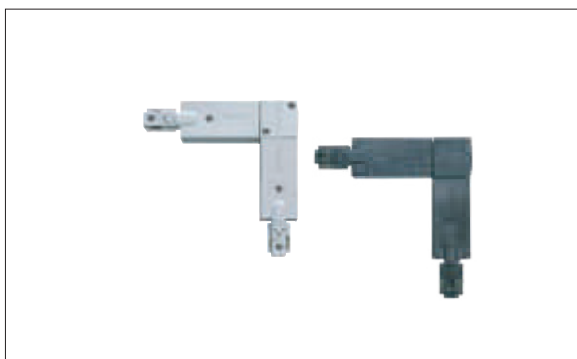
Made of polycarbonate. Preassembled, ready to use component. It provides "internal" electric connection and mechanical connection for the L-shaped joint. Supplied with three end plugs and power cable.

Internal L-shaped joint		
colour	weight	code
white	0.20	220 <b>25106</b> -00
grey		220 <b>25113</b> -00
black		220 <b>25134</b> -00



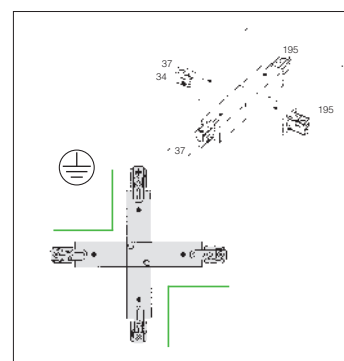
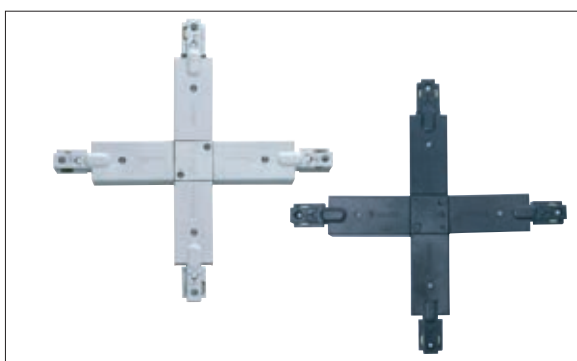
Made of polycarbonate. Preassembled component, ready to use. It permits "external" electric connection and mechanical connection for the L-shaped joint. Includes three end plugs and power cable.

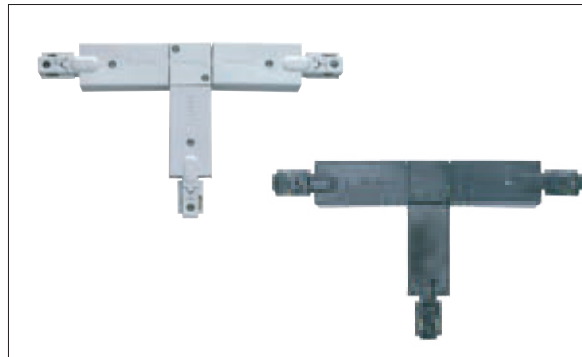
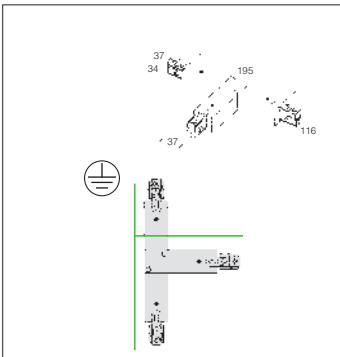
External L-shaped Joint		
colour	weight	code
white	0.20	220 <b>25105</b> -00
grey		220 <b>25112</b> -00
black		220 <b>25133</b> -00



Made of polycarbonate. Preassembled, ready to use component. It provides "cross-shaped" electric connection and mechanical connection. Supplied with one end plug and power cable.

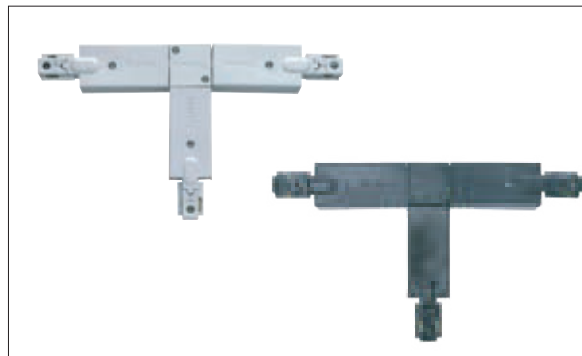
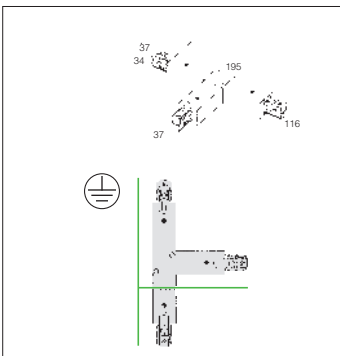
Cross joint		
colour	weight	code
white	0.40	220 <b>25109</b> -00
grey		220 <b>25116</b> -00
black		220 <b>25137</b> -00





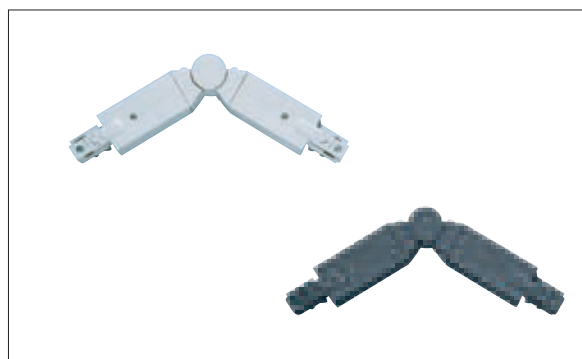
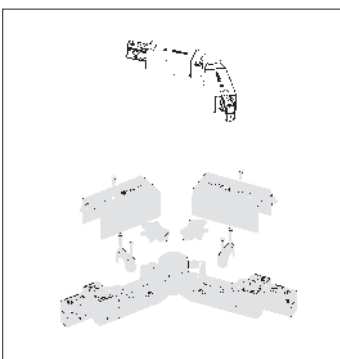
Made of polycarbonate. Preassembled, ready to use component. It provides "left-sided" electric connection and mechanical connection for the T-shaped joint. Supplied with 2 end plugs and power cable.

T-shaped, left sided joint		
colour	weight	code
white	0.30	22025108-00
grey		22025115-00
black		22025136-00



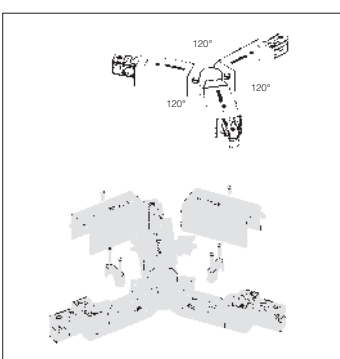
Preassembled component, ready to use. It permits "right-sided" electric connection and mechanical connection for the T-shaped joint. Includes 2 end plugs and power cable.

T-shaped, right-sided Joint		
colour	weight	code
white	0.30	22025107-00
grey		22025114-00
black		22025135-00



Enables power connection and junction with variable angles.

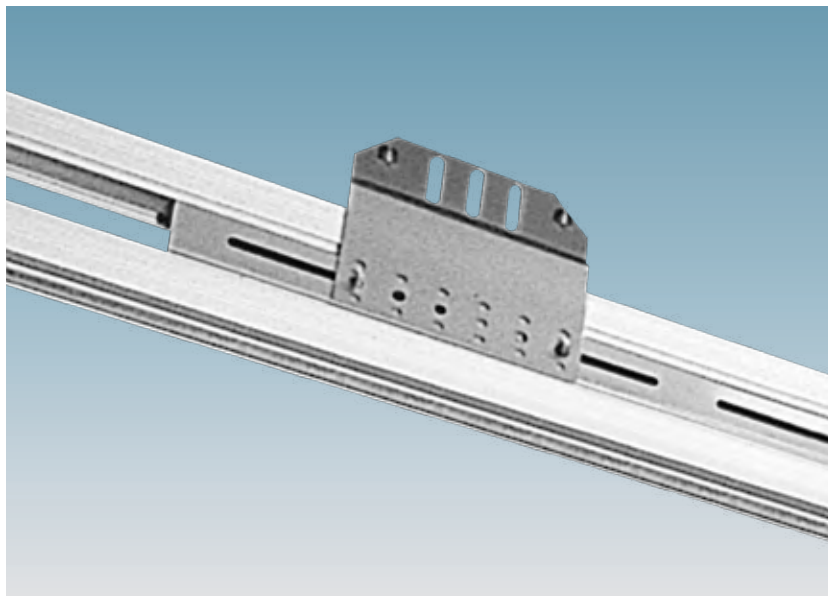
Circular 2-way Joint		
colour	weight	code
white	0.20	22025117-00
grey		22025171-00
black		22025138-00



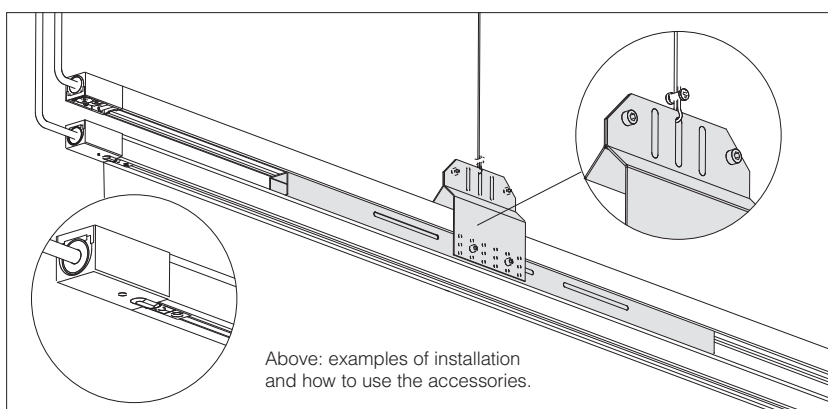
Enables power connection and junction with 120° fixed angles.

Circular 3-way Joint		
colour	weight	code
white	0.30	22025118-00
grey		22025173-00
black		22025139-00



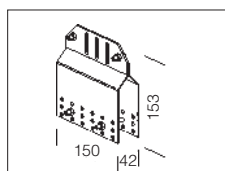


This structure is obtained by using the appropriate accessories with the OMNITRACK track. The 2-way track's main feature is the possibility to use it as an electrified track for accent light floodlights (lower side), and as a load-bearing system to support a ceiling fixture for general lighting.

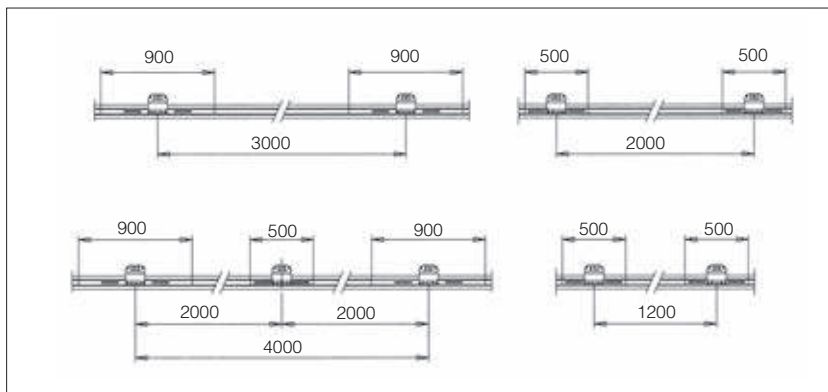
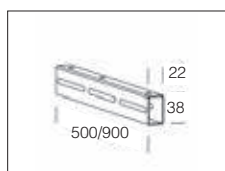


Above: examples of installation and how to use the accessories.

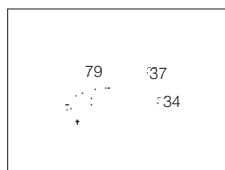
Bracket suspension		
steel		22024870-00
For suspension and installation of two Omnitrack tracks.		



Track bracket		
steel	L=500	22024875-00
	L=900	22024879-00
Made in steel. To join two Omnitracks and to attach bracket acc. 22024870-00.		



Power supply		
white		22025102-00
grey		22025110-00
black		22025131-00
For track power supply. Quick-connect with a guide pawl and an accessory for the selection of phase-neutral position.		





Whether it's for indoor, public or private offices, commercial or industrial spaces, Fosnova offers a **WIDE RANGE OF LIGHTING MANAGEMENT SOLUTIONS** that can help increase energy savings, visual comfort and safety.

# INDOOR LIGHTING SOLUTIONS

## ELEMENTARY SOLUTION

PLUG & PLAY systems with on-board sensors:

ON/OFF



DIMM 0/10V - 1/10V



- Solution with built-in sensors
- Sensors attached to the lighting body and visible
- Programming via app or remote control of sensors or trimmers
- "PLUG&PLAY" no installation difference with a non-dimmable product
- The installer and the user do not require specific skills because the lighting fixture is configured to change lighting levels automatically

- No additional cabling
- No centralized controls
- No programming and commissioning from specialized technicians
- No remote communication

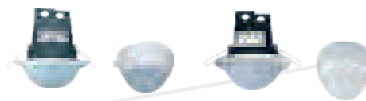
## MEDIUM SOLUTION

CABLED solutions for DALI dimmable fixtures:

PUSH DIMM



PRESENCE SENSOR



PRESENCE SENSOR



HIGH CEILINGS

- The lighting fixture is equipped with a DALI PUSH DIM LED driver
- Simple additional cabling and possibility to use a standard NO switch

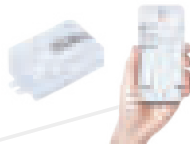
## ADVANCED SOLUTION

High-tech WIRELESS solutions to be managed via app:

BASIC DIM



ActiveAhead



CASAMBI



- System equipped with smart sensors with high level of automation
- Easy-to-use app and software that do not require skills from specialists (e.g. DALI commissioning or software engineer)
- Built-in or external sensors and, if requested, additional cabling that does not require complex circuitry

## SMART (IoT) SOLUTION

COMPLEX solutions requiring lighting management hardware and software:

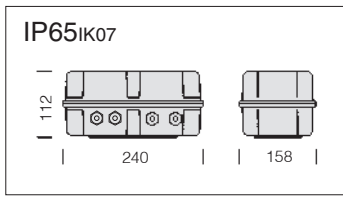
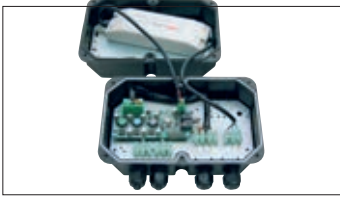


**SMART** solution:

- Wired and wireless solutions
- System with all fixtures and sensors are managed with the BUS link (or over the air) with the possibility of a limited, but extremely simple, management
- Possibility to configure via app/smartphone/tablet
- Suitable for medium-small systems: variable complexity, including situations that may require the intervention of specialized workers
- Scalable

**IoT** solution:

- Device complete with smart technology and hardware infrastructure with software for remote control

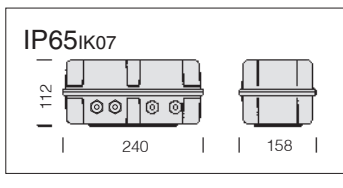
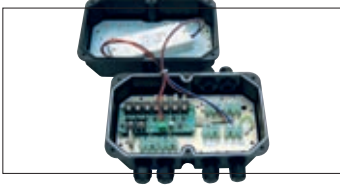


To be used with up to 12 FULLCOLOR spotlights with DMX interface

**KIT 3 bis - Waterproof gear box with LED FULLCOLOR power supply and DMX interface**

wattage	h	colour	code
60	1	black	22092051-00

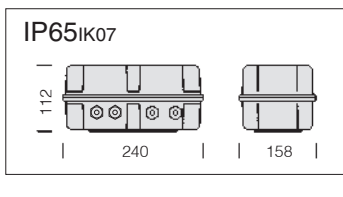
IP65 box with 48V 60W power supply for FULLCOLOR Power LED - max 12 LEDs. Supplied with electronic card and controller / DMX interface, four cable glands, 9/12 mm diameter. After acc. 22092051-00 n. 20, use acc. code 22092052-00.



**Amplifier / DMX signal modulator**

wattage	h	colour	code
20	1	black	22092052-00

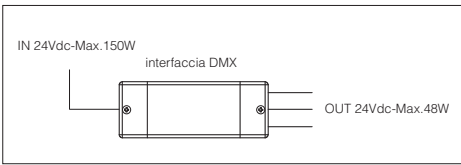
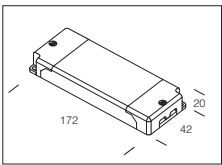
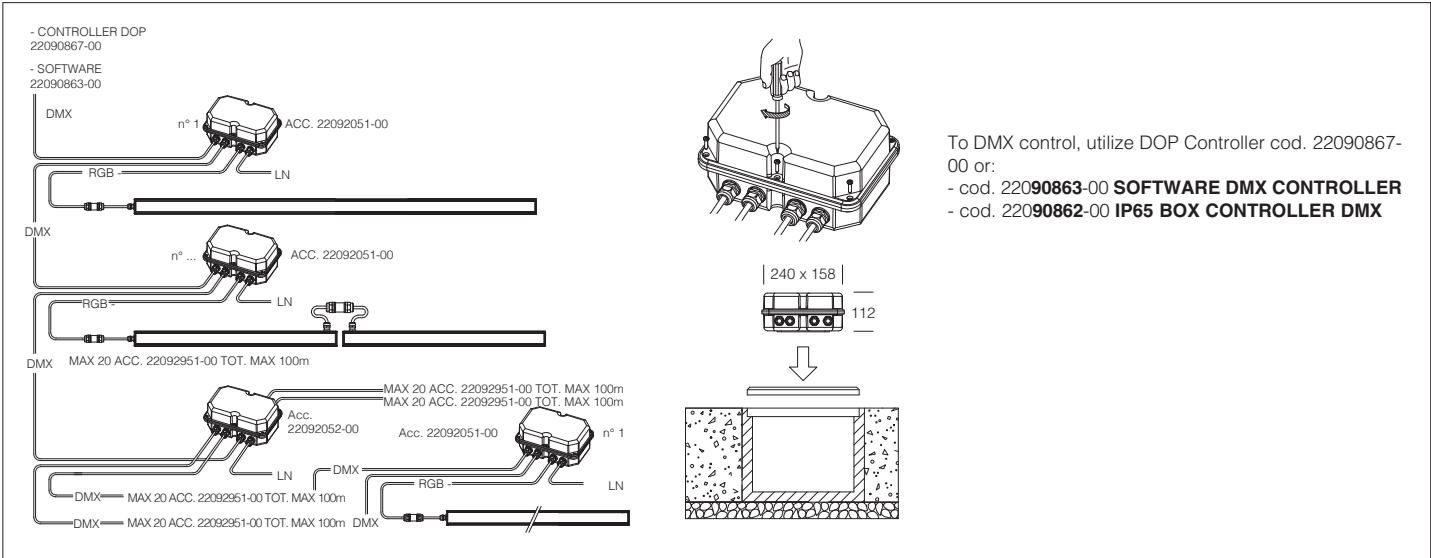
DMX signal regenerator in waterproof gear box with 24V, 20W power supply. Supplied with in-out wire connection (one going in, four going out) to DMX terminal. To be used after acc. 22092051-00 n. 20, and after KIT3 n. 10.



**Waterproof gear box with LED FULLCOLOR power supply and DMX interface**

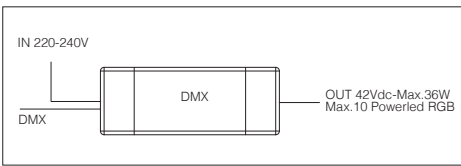
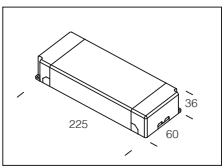
wattage	h	colour	code
100	1	black	22092054-00

IP65 box with power supply 24V 100W for FULLCOLOR LED modules. Supplied with electronic card with controller / DMX Interface, 6 cable glands, 9/12 mm diameter. After accessory n. 26 (2292054-00), accessory code 22092052-00 must be used.



DMX control 24V dc	
Wattage	code
150W	22090780-00

DMX 24V dc max 48W/channel. Provide adequate power supply 24V dc



DMX control with power supply	
Wattage	code
36W	22090781-00

DMX 350mA/channel with integrated power supply for max 10 modules FULLCOLOR. Respect the series connection.

All FULLCOLOR Fosnova products are designed to use the DMX interface based on this innovative technology, which is able to convert standard protocol DMX signals into PWM signals. In so doing, up to 20 DMX/FULLCOLOR INTERFACES can be linked to a DMX control unit. A specific channel can be fixed for each individual system interface, thanks to a standard DIP-SWITCH and each unit can control up to 99 SLAVES. (see scheme)

Interface DMX	
code	
For use with SLAVE 22090871-00.	22090782-00

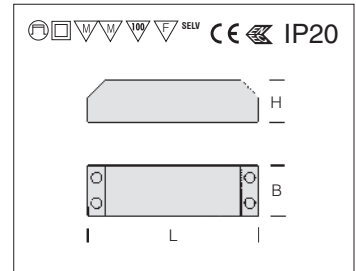


Power supply series 350mA Dc 220-240V 50/60Hz					
Type	Output energy power Max (W)	n°. LED*	weight (Kg)	Size (mm) B - H - L	code
6W/350mA	5,6W	1-4	0,045	32 - 22 - 76	22090832-00
8W/350mA	8,4W	1-6	0,050	38 - 22 - 75	22090894-00
12W/350mA	12W	2-9	0,080	52 - 22 - 111	22090886-00
16,8W/350mA	16,8W	2-12	0,080	52 - 22 - 111	22090837-00
20W/350mA	20W	1-15	0,150	52 - 22 - 111	22090880-00
40W/350mA	3x15W	3x12..14	0,240	60 - 36 - 224	22090899-00

Power supply series 500mA Dc 220-240V 50/60Hz					
Type	Output energy power Max (W)	n°. LED*	weight (Kg)	Size (mm) B - H - L	code
6W/500mA	6W	1-3	0,045	32 - 22 - 76	22090883-00
8W/500mA	8W	1-4	0,050	38 - 22 - 75	22090895-00
16,8W/500mA	16,8W	2-9	0,080	38 - 23 - 125	22090890-00
20W/500mA	20W	1-11	0,150	44 - 22 - 147	22090881-00

Power supply series 700mA Dc 220-240V 50/60Hz					
Type	Output energy power Max (W)	n°. LED*	weight (Kg)	Size (mm) B - H - L	code
6W/700mA	7,7W	1-3	0,045	32 - 22 - 76	22090884-00
8W/700mA	9,8W	1-3	0,050	38 - 22 - 75	22090896-00
9W/700mA	9W	1	0,050	38 - 22 - 75	22090835-00
16,8W/700mA	16,8W	1-6	0,080	38 - 23 - 125	22090891-00
20W/700mA	20W	1-8	0,150	44 - 22 - 147	22090882-00

Power supply series 1A Dc 220-240V 50/60Hz					
Type	Output energy power Max (W)	n°. LED*	weight (Kg)	Size (mm) B - H - L	code
20W/1A	20W	1-6	0,150	40 - 25 - 165	22090898-00



- Version constant current for Power LED
- Screw terminals 1.5 mm<sup>2</sup>
- Short circuit protection, overload, open circuit and thermal
- High performance with minimum heat loss and absolute reliability
- Compliance with EN61347-2-13, EN61347-1, EN62384, EN55015, EN61000-3-2, EN61547

\* Indicative values

Power supply series 12V Dc 220-240V 50/60Hz					
Type	Output energy power Max (W)	n°. LED*	weight (Kg)	Size (mm) B - H - L	code
6W/12V	6W	-	0,045	32 - 22 - 76	22090885-00
8W/12V	8,4W	-	0,050	38 - 22 - 75	22090897-00
16,8W/12V	16,8W	-	0,080	38 - 23 - 125	22090892-00
20W/12V	20W	-	0,150	40 - 25 - 165	22090838-00

Power supply series 24V Dc 220-240V 50/60Hz					
Type	Output energy power Max (W)	n°. LED*	weight (Kg)	Size (mm) B - H - L	code
16,8W/24V	16,8W	-	0,080	38 - 23 - 125	22090893-00
20W/24V	20W	-	0,150	55 - 19 - 145	22090839-00
70W/24V	70W	-		60 - 35 - 225	22092022-00

- Version constant current for Power LED
- Screw terminals 1.5 mm<sup>2</sup>
- Short circuit protection, overload, open circuit and thermal
- High performance with minimum heat loss and absolute reliability
- Compliance with EN61347-2-13, EN61347-1, EN62384, EN55015, EN61000-3-2, EN61547

Driver IP67 Box LED 24V		code
wattage/W		
220-240V 50-60Hz/24V Dc 75W		22092030-00
220-240V 50-60Hz/24V Dc 100W		22092036-00
220-240V 50-60Hz/24V Dc 150W		22092038-00

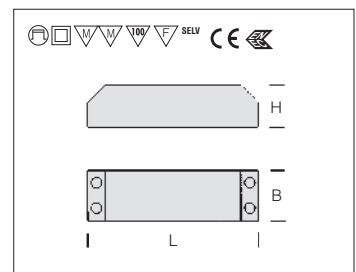
Operation exit to power MASTER/SLAVE version 24V.

Watertight box with 24V LED, dimmable 1-10V / DALI		
wattage/W	colour	code
220-240V 50-60Hz/24V Dc 100W (1-10V)	black	22092081-00
220-240V 50-60Hz/24V Dc 100W (DALI)	black	22092081-1241

IP65 box with ballast 24V – 100S for 24V LED. Equipped with dimmable interface 1-10V and 4 cable glands, external diameter 9/12mm. It enables to power and dim 2 channels, 50W max for a total of 100W.

Interface dimmable for LED		
Vin/Vout 24V Dc 120W 1-10V	DIM 1-10V interface	code
		22090841-00
Vin/Vout 24V Dc 120W DALI	DIM DALI interface	code
		22090841-1241

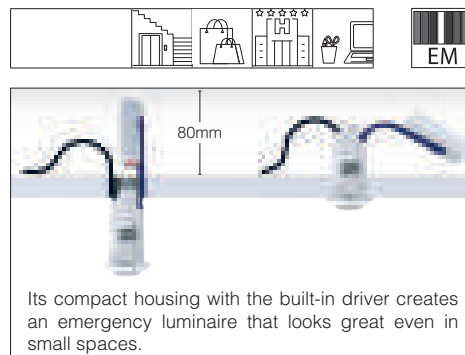
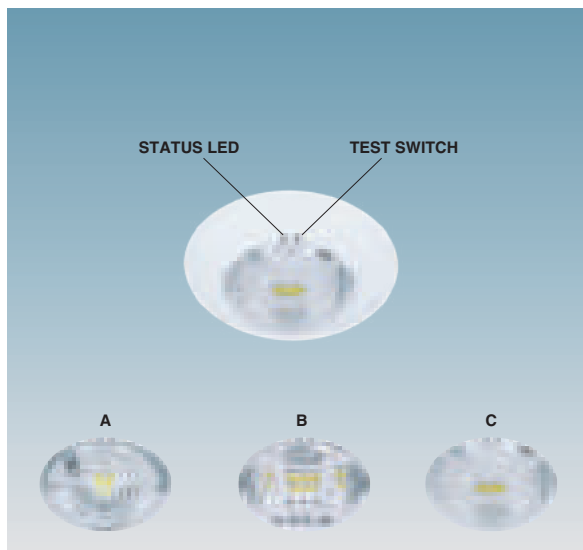
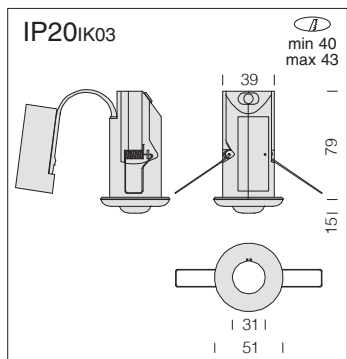
Dimmable power supply					
Type	Output energy power Max (W)	type of control	weight (Kg)	Size (mm) B - H - L	code
ALD 8	15W (I <sub>dc</sub> : 0.350 A)	1-10V / PUSH	0.110	67-21-103	22090837-12
ALD 1	16.8W (I <sub>dc</sub> : 0.350 A) 16.8W (I <sub>dc</sub> : 0.500 A) 16.8W (I <sub>dc</sub> : 0.700 A) 16.8W (V <sub>dc</sub> : 24V) 8.4W (V <sub>dc</sub> : 12V)	DALI	0.050	51-26-155	22090837-1241
ALD 2	15.0W (I <sub>dc</sub> : 0.350 A) 25.0W (I <sub>dc</sub> : 0.700 A) 22.0W (I <sub>dc</sub> : 0.500 A) 20.0W (V <sub>dc</sub> : 24V)	1-10V / PUSH	0.110	67-21-103	22090840-00
ALD 3	25.0W (I <sub>dc</sub> : 0.350 A) 35.0W (I <sub>dc</sub> : 0.500 A) 50.0W (I <sub>dc</sub> : 0.700 A) 50.0W (I <sub>dc</sub> : 1.050 A)	1-10V / PUSH	0.150	67-22-125	22090845-12
ALD 4	25.0W (I <sub>dc</sub> : 0.350 A) 35.0W (I <sub>dc</sub> : 0.500 A) 50.0W (I <sub>dc</sub> : 0.700 A) 50.0W (I <sub>dc</sub> : 1.050 A)	DALI	0.150	67-22-125	22090845-1241
ALD 5	6.0W (I <sub>dc</sub> : 0.350 A)	1-10V / PUSH	0.060	50-22-67	22090849-00
ALD 6	18.0W (I <sub>dc</sub> : 0.700 A)	1-10V	0.150	52-33-109	22090834-00
ALD 7	35.0W (V <sub>dc</sub> : 24V)	DALI / PUSH	0.150	43-30-195	22090846-00



- Screw terminals 1.5 mm<sup>2</sup>
- Short circuit protection, overload, open circuit and thermal
- High performance with minimum heat loss and absolute reliability
- Compliance with EN61347-2-13, EN61347-1, EN62384, EN55015, EN61000-3-2, EN61547

Emergency lighting is an essential safety system to ensure the protection of people during emergency situations. People who are left in the dark during power outages or block-outs, especially in crowded places or during a catastrophic event, will feel uneasy, hence increasing the risk of getting hurt because uneasiness can easily turn into panic. Therefore, an efficient emergency lighting system is an essential requirement to guarantee a safe and fast evacuation during emergencies. If this system is designed in compliance with existing laws and regulations, it will provide the necessary aid that, together with adequate safety signals, will ensure a smooth evacuation from the premises.

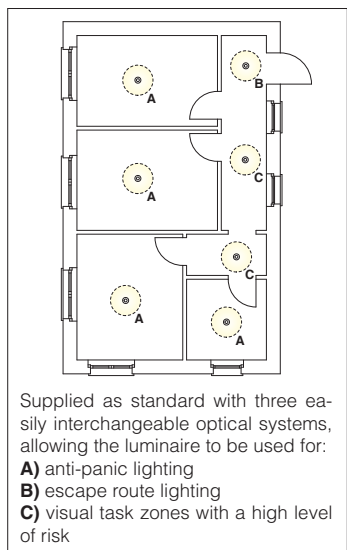




Its compact housing with the built-in driver creates an emergency luminaire that looks great even in small spaces.

LED module for emergency lighting, direct mounting on ceilings

- Complete electronics gear, LED module, heat sink, optics and accumulator
- It contains multi-lens click-in optics for anti-panic lighting, escape route lighting and visual task zones with a high level of risk
- Emergency lighting function for manual test

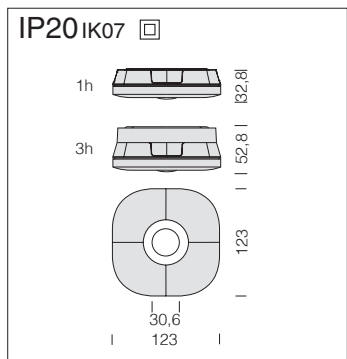


Supplied as standard with three easily interchangeable optical systems, allowing the luminaire to be used for:  
**A)** anti-panic lighting  
**B)** escape route lighting  
**C)** visual task zones with a high level of risk

**Emergency 1 B - False-ceiling**

		CLD-E		Input voltage	Discharge duration	Battery	W tot	K - CRI
LED	colour	weight	code					
LED	white	0.20	22170901-00	220-240V, 50Hz	1h	3,2V - 1500mA/h	2	6500K - CRI>80
			22170901-31	220-240V, 50Hz	3h	3,2V - 1500mA/h	2	6500K - CRI>80

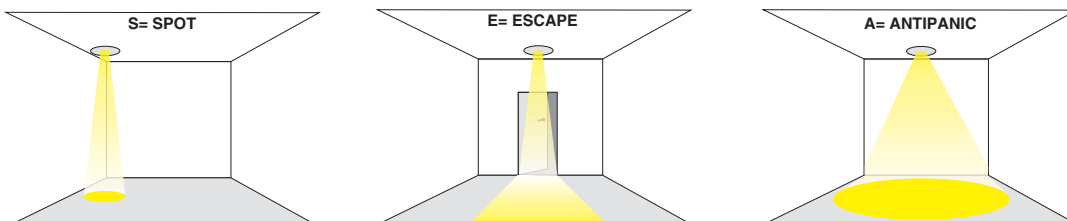
Ideal solution for a vast range of ceiling structures, with heights of up to 80 mm.



**Emergency 2 B**

		CLD-E		Input voltage	Discharge duration	Battery	W tot	K - CRI
LED	colour	weight	code					
LED	white	0.20	22170820-00	220-240V, 50Hz	1h	2V - 126mA	2	6500K - CRI>80
			22170820-31	220-240V, 50Hz	3h	2V - 126mA	2	6500K - CRI>80

Supplied as standard with three easily interchangeable optical systems, allowing the luminaire to be used for:  
**S)** spot  
**E)** escape route lighting  
**A)** anti-panic lighting





### FILAMENT LED

Code	EAN 13 Code	Power (W)	Lumen 2700 K	Input voltage	Power factor	CRI	Base	Dimensions (mm)	DIMM
22486502-00	8016535089665	4	470 lm	AC220-240 V	0,5	80	E14	Ø45X78	NO
22486500-00	8016535089658	4	470 lm				E27	Ø45X73	NO
22487003-00	8016535154653	4,5	470 lm				E14	Ø45X78	YES
22487004-00	8016535154660	4,5	470 lm				E27	Ø45X73	YES
22487005-00	8016535154677	6,5	806 lm				E14	Ø45X78	NO
22487006-00	8016535154684	6,5	806 lm				E27	Ø45X73	NO

LED type	COB
Beam angle (°)	300
Life-time (hours)	15.000

### FILAMENT LED

Code	EAN 13 Code	Power (W)	Lumen 2700 K	Input voltage	Power factor	CRI	Base	Dimensions (mm)	DIMM
22486504-00	8016535089672	4	470 lm	AC220-240 V	0,5	80	E14	Ø35X98	NO
22487001-00	8016535154639	4,5	470 lm						YES
22487002-00	8016535154646	6,5	806 lm						NO

LED type	COB
Beam angle (°)	300
Life-time (hours)	15.000

### FILAMENT LED

Code	EAN 13 Code	Power (W)	Lumen 2700 K	Input voltage	Power factor	CRI	Base	Dimensions (mm)	DIMM
22486507-00	8016535089863	6,5	806 lm	AC220-240 V	0,5	80	E27	Ø60X108	NO
22486511-00	8016535089818	8	806 lm					Ø60X108	YES
22487014-00	8016535154776	8,5	1055 lm					Ø60X108	NO
22487015-00	8016535154783	12	1521 lm					Ø60X128	YES
22487016-00	8016535154790	12	1521 lm					Ø60X128	NO
22486568-00	8016535116088	6,5	806 lm					AC220-240 V	0,5
22487017-00	8016535154806	8	806 lm	Ø60X108	YES				
22487018-00	8016535154813	8,5	1055 lm	Ø60X108	NO				
22487019-00	8016535154820	12	1521 lm	Ø60X128	YES				
22487020-00	8016535154837	12	1521 lm	Ø60X128	NO				

Code	EAN 13 Code	Power (W)	Lumen 5000 K	Input voltage	Power factor	CRI	Base	Dimensions (mm)	DIMM
22486569-00	8016535116095	6,5	806 lm	AC220-240 V	0,5	80	E27	Ø60X108	NO
22487021-00	8016535154844	8	806 lm					Ø60X108	YES
22487022-00	8016535154851	8,5	1055 lm					Ø60X108	NO
22487023-00	8016535154868	12	1521 lm					Ø60X128	YES
22487024-00	8016535154875	12	1521 lm					Ø60X128	NO

LED type	COB
Beam angle (°)	300
Life-time (hours)	15.000

**FILAMENT LED**

Code	EAN 13 Code	Power (W)	Lumen 2700 K	Input voltage	Power factor	CRI	Base	Dimensions (mm)	DIMM
22486528-00	8016535099251	4	470 lm	AC220-240 V	0,5	80	E27	Ø80X115	NO
22486529-00	8016535099268	4	470 lm					Ø95X133	NO
22486530-00	8016535099275	4	470 lm					Ø125X176	NO
22486541-00	8016535099626	6,5	806 lm					Ø80X115	NO
22486542-00	8016535099633	6,5	806 lm					Ø95X133	NO
22486543-00	8016535099640	6,5	806 lm					Ø125X176	NO
22487007-00	8016535154691	8,5	1055 lm					Ø80X115	NO
22487008-00	8016535154707	8,5	1055 lm					Ø95X133	NO
22487009-00	8016535154714	8,5	1055 lm					Ø125X176	NO



Beam angle (°)	300
Life-time (hours)	15.000

**FILAMENT LED**

Code	EAN 13 Code	Power (W)	Lumen 2700 K	Input voltage	Power factor	CRI	Base	Dimensions (mm)	DIMM
22486531-00	8016535092214	4	470 lm	AC220-240 V	0,5	80	E27	Ø56X126	NO
22486532-00	8016535092207	4	470 lm					Ø64X138	NO
22486544-00	8016535099657	6,5	806 lm					Ø56X138	NO
22486545-00	8016535099664	6,5	806 lm					Ø62X140	NO
22487010-00	8016535154721	8	806 lm					Ø56X126	YES
22487011-00	8016535154738	8	806 lm					Ø64X138	YES
22487012-00	8016535154745	8,5	1055 lm					Ø56X126	NO
22487013-00	8016535154752	8,5	1055 lm					Ø64X138	NO



Beam angle (°)	300
Life-time (hours)	15.000

**FILAMENT LED - "VINTAGE STYLE"**

Code	EAN 13 Code	Power (W)	Lumen 2200 K	Input voltage	Power factor	CRI	Base	Dimensions (mm)	DIMM
22486521-00	8016535099282	4	360 lm	AC220-240 V	0,5	80	E27	Ø80X115	NO
22486519-00	8016535099299	4	360 lm					Ø95X133	NO
22486517-00	8016535099305	4	360 lm					Ø125X176	NO
22486546-00	8016535099671	6,5	650 lm					Ø80X115	NO
22486547-00	8016535099688	6,5	650 lm					Ø95X133	NO
22486548-00	8016535099695	6,5	650 lm					Ø125X176	NO
22486907-00	8016535154561	8	720 lm					Ø80X115	NO
22486908-00	8016535154578	8,5	806 lm					Ø80X115	YES



Beam angle (°)	300
Life-time (hours)	15.000

**FILAMENT LED - "VINTAGE STYLE"**

Code	EAN 13 Code	Power (W)	Lumen 2200 K	Input voltage	Power factor	CRI	Base	Dimensions (mm)	DIMM
22486522-00	8016535099312	4	470 lm	AC220-240 V	0,5	80	E27	Ø56X126	NO
22486523-00	8016535099329	4	360 lm					Ø62X138	NO
22486549-00	8016535099701	6,5	650 lm					Ø56X138	NO
22486550-00	8016535099718	6,5	650 lm					Ø62X140	NO
22486909-00	8016535154585	8	720 lm					Ø56X126	NO
22486910-00	8016535154592	8	720 lm					Ø56X126	YES
22486911-00	8016535154608	8,5	806 lm					Ø64X138	YES



Beam angle (°)	300
Life-time (hours)	15.000



### LED PAR 20

Code	Code EAN 13	Power (W)	Lumen 3000 K	Input voltage	Power factor	CRI	Dimensions (mm)	DIMM
22486551-00	8016535106201	6	525 lm	AC220-240 V	0,5	80	Ø 63X79	NO
22486525-00	8016535092146	7	525 lm		0,9		Ø 63X79	YES

Beam angle (°)	40	LED type	SMD
Life-time (hours)	25.000	Base	E27

### LED PAR 30

Code	Code EAN 13	Power (W)	Lumen 3000 K	Input voltage	Power factor	CRI	Dimensions (mm)	DIMM
22486552-00	8016535106218	12	1050 lm	AC220-240 V	0,5	80	Ø 95X119	NO
22486524-00	8016535092139	13	1050 lm		0,9		Ø 95X119	YES

Beam angle (°)	40	LED type	SMD
Life-time (hours)	25.000	Base	E27

### LED PAR 38

Code	Code EAN 13	Power (W)	Lumen 3000 K	Input voltage	Power factor	CRI	Dimensions (mm)	DIMM
22486559-00	8016535106225	17	1470 lm	AC220-240 V	0,5	80	Ø 122X134	NO
22486518-00	8016535089856	18	1470 lm		0,9		Ø 122X134	YES
Code	Code EAN 13	Power (W)	Lumen 4000 K	Input voltage	Power factor	CRI	Dimensions (mm)	DIMM
22486555-00	8016535099749	17	1470 lm	AC220-240 V	0,5	80	Ø 122X134	NO
22486558-00	8016535099947	18	1470 lm		0,9		Ø 122X134	YES

Beam angle (°)	38	LED type	SMD
Life-time (hours)	25.000	Base	E27

**LED GU10 - SMD - 38°**

Code	Code EAN 13	Power (W)	Lumen 3000 K	Input voltage	Power factor	CRI	Dimensions (mm)	DIMM
22486301-00	8016535092108	5	400 lm	AC220-240 V	0,5	80	Ø50X56	NO
22486311-00	8016535092122	6,5	500 lm	AC220-240 V				YES
22486314-00	8016535092115	6	500 lm	AC220-240 V				NO
Code	Code EAN 13	Power (W)	Lumen 4000 K	Input voltage	Power factor	CRI	Dimensions (mm)	DIMM
22486322-00	8016535116002	5	400 lm	AC220-240 V	0,5	80	Ø50X56	NO
22486324-00	8016535116026	6,5	500 lm	AC220-240 V				YES
22486321-00	8016535115715	6	500 lm	AC220-240 V				NO
Code	Code EAN 13	Power (W)	Lumen 5000 K	Input voltage	Power factor	CRI	Dimensions (mm)	DIMM
22486325-00	8016535116033	6,5	500 lm	AC220-240 V	0,5	80	Ø50X56	YES
22486323-00	8016535116019	6	500 lm	AC220-240 V				NO

Beam angle (°)	38
Life-time (hours)	15.000 (6W) 25.000 (6,5W)



**LED GU10 - SMD - 38°**

Code	Code EAN 13	Power (W)	Lumen 3000 K	Input voltage	Power factor	CRI	Dimensions (mm)	DIMM
22486309-00	8016535106607	9	700 lm	AC220-240 V	0,5	80	Ø50X74	NO
Code	Code EAN 13	Power (W)	Lumen 4000 K	Input voltage	Power factor	CRI	Dimensions (mm)	DIMM
22486326-00	8016535116040	9	700 lm	AC220-240 V	0,5	80	Ø50X74	NO
Code	Code EAN 13	Power (W)	Lumen 5000 K	Input voltage	Power factor	CRI	Dimensions (mm)	DIMM
22486327-00	8016535116057	9	700 lm	AC220-240 V	0,5	80	Ø50X74	NO

Beam angle (°)	38 (on request 100)
Life-time (hours)	15.000



**LED GU10 - SMD FROSTED - 100°**

Code	Code EAN 13	Power (W)	Lumen 3000 K	Input voltage	Power factor	CRI	Dimensions (mm)	DIMM
22486310-00	8016535092252	6	450 lm	AC220-240 V	0,5	80	Ø50X56	NO
Code	Code EAN 13	Power (W)	Lumen 4000 K	Input voltage	Power factor	CRI	Dimensions (mm)	DIMM
22486320-00	8016535115708	6	450 lm	AC220-240 V	0,5	80	Ø50X56	NO
Code	Code EAN 13	Power (W)	Lumen 5000 K	Input voltage	Power factor	CRI	Dimensions (mm)	DIMM
22486328-00	8016535116064	6	450 lm	AC220-240 V	0,5	80	Ø50X56	NO

Beam angle (°)	100
Life-time (hours)	15.000



**LED GU5,3 - MR16 SMD - 38°**

Code	Code EAN 13	Power (W)	Lumen 3000 K	Input voltage	Power factor	CRI	Dimensions (mm)	DIMM
22486317-00	8016535099206	6	500 lm	DC12V	0,9	80	Ø50X52	NO
Code	Code EAN 13	Power (W)	Lumen 4000 K	Input voltage	Power factor	CRI	Dimensions (mm)	DIMM
22486329-00	8016535116071	6	500 lm	DC12V	0,9	80	Ø50X52	NO

Beam angle (°)	38 (on request 100)
Life-time (hours)	25.000





**NEW PRODUCT**



**PERFORMANCE Techniques - Lighting - Photometric**



The LED lamp can work with a voltage input range that may vary by ± 10% from the indicated value

EXAMPLE: LED GU10 SMD 6W		
Input voltage		
AC100-240 V	±10% ↔	AC90-265 V



Maximum track lead 32A load



Maximum track lead 16A load



Lighting fixtures wired with dimming electronic power supply.



Lighting fixtures equipped with digital dimmable electronic power supply.



Fixtures wired with PUSH DALI digital dimmable electronic power supply.



Lighting fixtures equipped with electronic power supply and emergency kit (SA).



permanently mounted fixture, operating in AC/DC mode, with centralized emergency device, not incorporated into the fixture.



The unit is supplied with lampholder only



The unit is supplied without power supply + LED.



Electronic power supply with 230/240V - 50/60Hz + LED



Electronic dimmable power supply with 230/240V - 50/60Hz (IGBT) + LED



Electronic digital dimmable power supply with 230/240V - 50/60Hz (DALI) + LED



Electronic digital dimmable wireless power supply - HCL



Electronic power supply with 230/240V - 50/60Hz+ emergency kit + LED



Electronic dimmable power supply with 230/240V - 50/60Hz + emergency lighting + LED.



The unit is supplied with emergency wiring with centralized power supply.

In the FOSNOVA catalogue, there are some items, generally the more recent ones, that have two numbers (a subcode) at the end of the classical 6-digit code. These subcodes indicate the product type of wiring. Therefore, it is very important when making an order to write the complete FOSNOVA code, including the subcode, which carries the following meaning:



Aiming on horizontal axis at 0°



Aiming on vertical axis at 0°



UV-stabilised coating, anti-yellowing. Fixture built with stabilised materials.



With conveyor



Size of round hole for recessed installation



Size of hole for recessed installation



Mains voltage 230V operated with transformer.



Narrow beam



Medium beam



Wide beam



Extra wide beam



Asymmetric beam



Both direct and indirect light



Fixtures to be installed to the wall or ceiling only with a base.



Fixtures to be installed on track to the wall, ceiling or suspension.



Fixtures to be installed to the wall, ceiling or suspension.



Fixture surface area exposed to the wind.



Minimum and maximum operating temperature. Ask for specific product temperature to our technical offices.



**HEALTHCARE ENVIRONMENTS:** nursing rooms, operating rooms, clinics, first aids, wards, aseptic rooms UNI EN 12464



**SCHOOLS:** classrooms, lecture rooms, laboratories, meeting rooms UNI EN 12464



**OPEN SPACES:** Offices, large areas, public areas, waiting rooms UNI EN 12464



**ART AND CULTURE:** Cinemas, theatres, museums, galleries, churches, libraries, auditoriums, monuments UNI EN 12464



**COMMON AREAS:** corridors, stairs, lifts UNI EN 12464



**COMMERCIAL CENTRES:** Shops, show rooms, shop windows, supermarkets, airports. UNI EN 12464



**MALLS:** General shops, goods displays, shop windows, supermarkets, airports, shop facades UNI EN 12464



**GENERAL ROOMS:** Home, hotels, sleeping rooms, bars, restaurants, canteens UNI EN 12464



**LARGE-SCALE DISTRIBUTION:** Shopping centres, supermarkets, hypermarkets



**SPORT HALLS, GYMNASIUMS**



**RELIGIOUS PLACES**



**BOATS, YACHT and BOAT BUSINESS**



**HOTEL**



**SWIMMING POOLS**



**OFFICES WITH VDU TERMINALS** Drafting and designing rooms, meeting rooms, banks, offices with VDU terminals (time spent in front of the screen: 3 to 6 hours) - Optics + UNI EN 12464



**OFFICES WITH VDU TERMINALS** Time spent in front of the screen: more than 6 hours continually - Optics + UNI EN 12464



**FACADES**



**CLASSIC LIGHTING:** Ideal for application in city centers.



**STORES:** Goods sheds, warehouses, depots, production areas, hangars. UNI EN 12464.



- 00= basic article
- 07= article supplied with EMergency unit
- 08= article supplied with EElectronic gear
- 09= article supplied with EElectronic+EMergency gear
- 12= article supplied with DIMM 1-10V wiring
- 15= article supplied with separate ON/OFF switch
- 19= article supplied with presence and light sensor
- 31= article supplied with 3-hour EMergency unit
- 39= article with 3000K LED
- 68= article with 4000K LED
- 88= article complete with body for recessed mounting in plasterboard false ceilings
- 89= article supplied with HCL technology
- 0024= article supplied with Tunable White technology
- 0050= article with emergency wiring with centralized power supply
- 0072= special version for continuous line applications

- 0092= article supplied with built-in multi-sensor
  - 0928= article supplied with 3000K LED + 1-hour EMergency unit
  - 1213= article supplied with 4000K LED + DIMmable unit
  - 1228= article supplied with 3000K LED + DIMmable unit
  - 1241= article supplied with DIMMable DIGital DALI unit
  - 1245= article supplied with DIMMable DIGital PUSH DALI unit
  - 3113= article supplied with 4000K LED + 3-hour emergency unit
  - 3941= article supplied with 3000K LED + DIMMable DIGital DALI unit
  - 3957= article supplied with 3000K LED + 3-hour EMergency unit
  - 6809= article supplied with 4000K LED + 1-hour EMergency unit
  - 6841= article supplied with 4000K LED + DIMMable DIGital DALI unit
- Versioni complete di LED dedicati alla categoria **FOOD** (*Red Meat, Marbled Meat, Fish, Bread & Pastries e Produce*).
- 00000034 = BREAD    -00000035 = FRUIT/VEGETABLE    -00000036 = MEAT
  - 00000037 = FISH    -00000049 = CHEESE

## International Protection

The IP prefix followed by two figures indicates the level of resistance of the fixture to penetration by solids and liquids. Protection rating (published in EN60529)

- 1**figure: penetration by solid particles and contact with live parts
- 2**figure: penetration by liquids
- 3**figure: mechanical resist IK.

**IP20** Protection against solid bodies Ø >12 mm only

**IP23** Protection against solid bodies and rain

**IP40** Protection against solid bodies Ø > 1 mm only

**IP43** Protection against solid bodies Ø > 1 mm and rain

**IP44** Protection against solid bodies Ø > 1 mm and water sprays

**IP54** Protection against dust and water sprays

**IP55** Protection against dust and water jets

**IP65** Dust and water tight

**IP67** Dust and waterwave tight

**IK** Protected against impact energy



## WATERPROOF FIXTURES

Polycarbonate fixtures are IP65/66 water-resistant if installed at temperatures not exceeding 45°C. Direct exposure to sunlight can easily cause the temperature to exceed 45°C, which affects the degree of protection. However, it is recommended that these fixtures are used properly without altering their mechanical and protection properties (IP65/66); **they should not be installed on surfaces subject to strong vibrations, outdoors on ropes or stakes**; whenever this is necessary, waterproof steel fixtures should be used.

We often read about photobiological safety in lighting design. This very important factor is determined by the amount of radiations emitted by all the sources with a wave length ranging between 200 nm and 3000 nm. Excessive radiation exposure can be harmful for human health. The EN62471 standard classifies light sources into risk groups.



**RG0 Risk Group 0 (RG0):** luminaires are exempt from photobiological risks in compliance with standard EN 62471.



**RG0 Risk Group 0 (RG0 Ethr):** luminaires are exempt from photobiological risks in compliance with standard EN 62471 - IEC/TR 62778. If necessary, contact our customer service for the observation distance.



**RG1 Risk Group 1 (low risk group):** luminaires do not pose any risks due to normal behavioural limitations of a person when exposed to a light source.



**RG2 Risk Group 2 (intermediate risk group):** luminaires do not pose any risks due to people's aversion response to very bright light sources or due to thermal discomfort.



The UGR (unified glare rating) is an international unified measure developed by the CIE to assess the direct glare generated by a lighting system. The European standard regulating the lighting of indoor work places (**UNI-EN 12464-1**) recommends a specific UGR value for different applications ranging between **10 and 30; the lower the UGR value, the lower the glare.**



**Low Flicker:** product with a very low flicker; uniform light for greater eye protection.



The Colour Rendering Index (**CRI**) indicates how truthfully the artificial light source is able to reproduce the colours of objects. It varies from a range of **0 to 100**, where **0 represents the minimum** and **100 is the maximum.**



Possibility of centralized lighting point control or via external presence/lighting sensors (see chapter *technical components*).



Built-in **RADAR SENSOR** (sub-code -19 at an extra price): is an automatic sensor that immediately sense the presence of people's movements and anyone walking past.



Possibility of lighting point management with Casambi technology, an advanced automation lighting control system based on the bluetooth low energy (BLE).



Indicates that a product can freely circulate within the European Comééquipé ty. It certifies that the product complies with essential safety regulations. All Fosnova products comply with the "electromagnetic compatibility" (2014/30/UE) and with the "low-voltage electrical materials" (2014/35/UE) standards.



The product has been granted the ENEC European certificate of conformity which replaces all national **regulations in the EEC**, according to EN60598 European standards



ENEC European Certificate of Conformity: **PENDING APPROVAL**



I.M.Q. approval for wired fixture. All fixtures comply with **CEI Italian** safety standards corresponding to EN60598 European standards.



Class II fixture (double insulation). No grounding needed.



V0: the test piece extinguishes within 5 sec. without dropping V2: the test piece extinguishes within 25 sec. (dropping allowed)



**LED Life expectancy**  
The decrease of LED flux is defined by the working life and is represented by the "L" mark (for example L70 which means that the flux is kept up to 70%). The "B" followed by a number ranging between 10 and 50 indicates the quality of the fixture and defines the LED percentage that doesn't keep the declared characteristics.

PROTECTION RATING AGAINST MECHANICAL IMPACT		
classification according to standard: EN 50102 o NF C 20-015		
Impact force	NF C 20-010	Third figure in our catalogue
<b>IK</b>	<b>J</b>	<b>IP</b>
00	0	0
01	0,15	-
02	0,20	1
03	0,35	-
04	0,50	3
05	0,70	-
06	1	-
07	2	5
08	5	-
-	6	7
09	10	-
10	20	9

















- 1- This catalogue supersedes and cancels all previous editions.
- 2- All list prices are VAT excluded and already include WEEE contribution. However, prices are not binding and the company will inform you on any variation.
- 3- Goods travel at the customer's risk, including in the case of possible breakages, even if shipped carriage free. No complaints will be accepted after 8 days from receipt.
- 4- Orders will be dealt with according to availability; partial shipments may also be sent out.
- 5- The characteristics of the articles, the LEDs used and the lighting design calculations may be subject to change without notice and with no obligation of notification, in accordance with our manufacturing requirements and in order to finalise the lighting fixture.
- 6- Transportation costs, with the exception of delivery by our vehicles, are at the customer's expense.
- 7- Returned goods will not be accepted. In any case, returned goods must be authorised by our company and will be accepted carriage free if the material is in a good state of conservation and can therefore be used. (Ask for the current year's circular).
- 8- We recommend that plastic components, especially those designed for suspension luminaires, be checked at least every time the bulb is changed.
- 9- Only payments made directly to our address or to persons authorised by our company, will be accepted.
- 10- Reproduction, even in part, of the descriptions and illustrations in our catalogue is prohibited.
- 11- The place of jurisdiction for any legal disputes arising from or related to these General Sales Conditions shall be Milan.
- 12- Fosnova guarantees that the products it manufactures are free of defects, in accordance with art. 1490 and subsequent articles of the Italian Civil Code.

---

**QUANTITIES SHALL BE HANDLED ONLY IN PACKAGES OR RELEVANT MULTIPLES**

---

**SURCHARGE OF 10% FOR ACCESSORIES NOT HANDLED IN PACKAGES**

---

**DIMENSIONS ARE GIVEN IN MM, UNLESS OTHERWISE INDICATED**

---

**PHOTOMETRIC DATA, POWER EFFICIENCY AND LUMINAIRE DESIGN INFORMATION MAY BE SUBJECT TO VARIATIONS AND IMPROVEMENTS. BASED ON THE SPEED OF TECHNOLOGICAL EVOLUTION AFFECTING THESE PRODUCTS. THE COLOUR TEMPERATURES OF LEDS FALL WITHIN ACCEPTED INDUSTRY TOLERANCES DEFINED BY LED MANUFACTURERS, WE WILL GIVE NOTICE OF THESE CHANGES ON OUR WEBSITES FROM TIME TO TIME.**

---

**OUTPUT LUMINOUS FLUX AND POWER (tq): THE REPORTED LUMINOUS FLUX IS THE FLUX EMITTED BY THE LIGHT SOURCE WITH A TOLERANCE OF  $\pm 10\%$  COMPARED TO THE INDICATED VALUE. THE W TOT COLUMN (EXCEPT FOR THE EMERGENCY VERSIONS, OF WHICH VALUES ARE TO BE PROVIDED UPON REQUEST) INDICATES THE TOTAL WATTAGE ABSORBED BY THE SYSTEM WITHOUT EXCEEDING 10% OF THE INDICATED VALUE.**

---

**NOMINAL LUMINOUS FLUX AND POWER (tj-tp): LUMINOUS FLUX AND POWER VALUES ARE NOMINAL. THE FLUX MAY HAVE A TOLERANCE OF  $\pm 10\%$  WITH REFERENCE TO THE INDICATED VALUE. THE W COLUMN INDICATES THE LED'S POWER WATTAGE.**

---

**ALWAYS STAY WITHIN THE RECOMMENDED OPERATING TEMPERATURES OF THE DEVICE.**

---

**EXPOSURE TO CHEMICALS EITHER DIRECTLY OR IN THE ATMOSPHERE MAY DAMAGE THE LEDS AS WELL AS THE LIGHTING FIXTURES. FOR FURTHER INFORMATION, PLEASE CONTACT THE MANUFACTURER AND READ THE CHEMICAL COMPATIBILITY TABLE.**

---

**SOME IMAGES ARE SIMULATED APPLICATION AND / OR PHOTOMONTAGES**

---



**DISANO ILLUMINAZIONE s.p.a.**  
v.le Lombardia, 129 - 20089 Rozzano - MI (Italy)  
Tel. +39 02 824771 - Email: info@disano.it  
customer service: customerservice@disano.it  
web: www.disano.it



**FOSNOVA s.r.l.**  
via Como, 9 - 20089 Rozzano - MI (Italy)  
Tel. +39 02 824771 - Email: info@fosnova.it  
customer service: customerservice@disano.it  
web: www.fosnova.it



**ILUMINACIÓN DISANO S.A.**  
Poligono Industrial L'Avenar,  
C/ de la Llum, n°2  
43883 Roda de Barà, Tarragona  
Tel. +34 977 55 88 90  
www.disano.es



**DISANO ILLUMINAZIONE  
CZECH REPUBLIC AND SLOVAKIA**  
**Martin Bukovsky**  
Head of Representative Office  
Mob. +420 602 515 329  
Email: martin.bukovsky@disanogroup.cz



**DISANO ILLUMINAZIONE FRANCE S.A.**  
Parc d'activité de la Caille,  
1443 Route de l'Army  
74350 Allonzier la Caille  
Tel. +33 4 50 33 08 10  
Email: commercial@disano.fr  
www.disano.fr



**DISANO ILLUMINAZIONE ADRIA  
(SLOVENIA, CROAZIA, SERBIA,  
MONTENEGRO, BOSNIA, KOSOVO)**  
**Uros Kovac**  
Head of Representative Office  
Mob. + 386 4 152 44 18  
Email: uros.kovac@disano.si



**DISANO ILLUMINAZIONE PORTUGAL**  
**Julio Guedes**  
Head of Representative Office  
Mob. +351 919 318 510  
Email: julio.guedes@disano.pt



**DISANO ILLUMINAZIONE RUSSIA**  
**Marina Vasilyeva**  
Head of Representative Office  
Mob. +7 985 179 61 48  
Email: marina.vasilyeva@disanogroup.ru



**DISANO ILLUMINAZIONE BELUX**  
**Frank Melis**  
Head of Representative Office  
Mob. +32 499 877 305 (BE)  
Mob. +352 621 670 322 (LUX)  
Email: frank.melis@disano.lu



**DISANO ILLUMINAZIONE MIDDLE EAST**  
**Malek Abou Abdo**  
Head of Representative Office  
Office n.1001,10Th Floor  
Dusseldorf Business Point,  
Al Barsha 1 – DUBAI  
Tel. +971 4 4329504  
Email: info.dubai@disano.ae



**DISANO ILLUMINAZIONE IRELAND**  
**John Walsh**  
Head of Representative Office  
Mob. +353 87 2236251  
Email: john.walsh@disano.ie



**DISANO ILLUMINAZIONE AFRICA**  
**Mohamed Bencheikroun**  
Head of the Liaison Office Africa  
Mob. +212.661 31 35 32  
Email: mohamed.bencheikroun@disano.ma



**DISANO ILLUMINAZIONE POLSKA**  
**Paolo Nicoletti**  
Head of Representative Office  
Mob. +48 506 822 198  
Email: p.nicoletti@disano.pl



**DISANO ILLUMINAZIONE LATAM**  
**Raul Rivera**  
Representative office latin america  
Mob. +34 628 620 722  
Email: raul.rivera@disano.es