



Collection 23/24 ——— Made to last



Collection 23/24

The forthcoming 2023/24 collection from Design For The People continues our proud collaboration with skilled Danish designers, who have come up with new, beautiful designs in high-quality materials.

This year, we're bringing that "hotel feel" to the home interior, with exclusive materials such as marble, textiles and burnished brass. We're also exploring the indirect light trend, which is all about creating a pleasant and intimate ambience.

Vintage Italian designs with distinctive and iconic silhouettes serve as inspiration for new, interesting lighting designs. Yet the collection remains rooted in traditional Scandinavian minimalism with classic designs, mixed materials, and shiny chrome surfaces. The focus is on recognisable shapes and geometric structures that our designers have put together in new and exciting ways.

At the heart of our collection lies a commitment to ensuring that every item reflects our dedication to both craftsmanship and longevity. As always, we strive to create timeless designs that will be treasured for years to come and which embody innovative thinking that enhances our lives and the spaces that surround us.

We are extremely proud to present the 2023/24
Design For The People collection.

Lone Bødker

Lone Bødker
Product manager



Takai p. 62



Furiko p. 19



Spargo p. 14



Fabiola p. 40

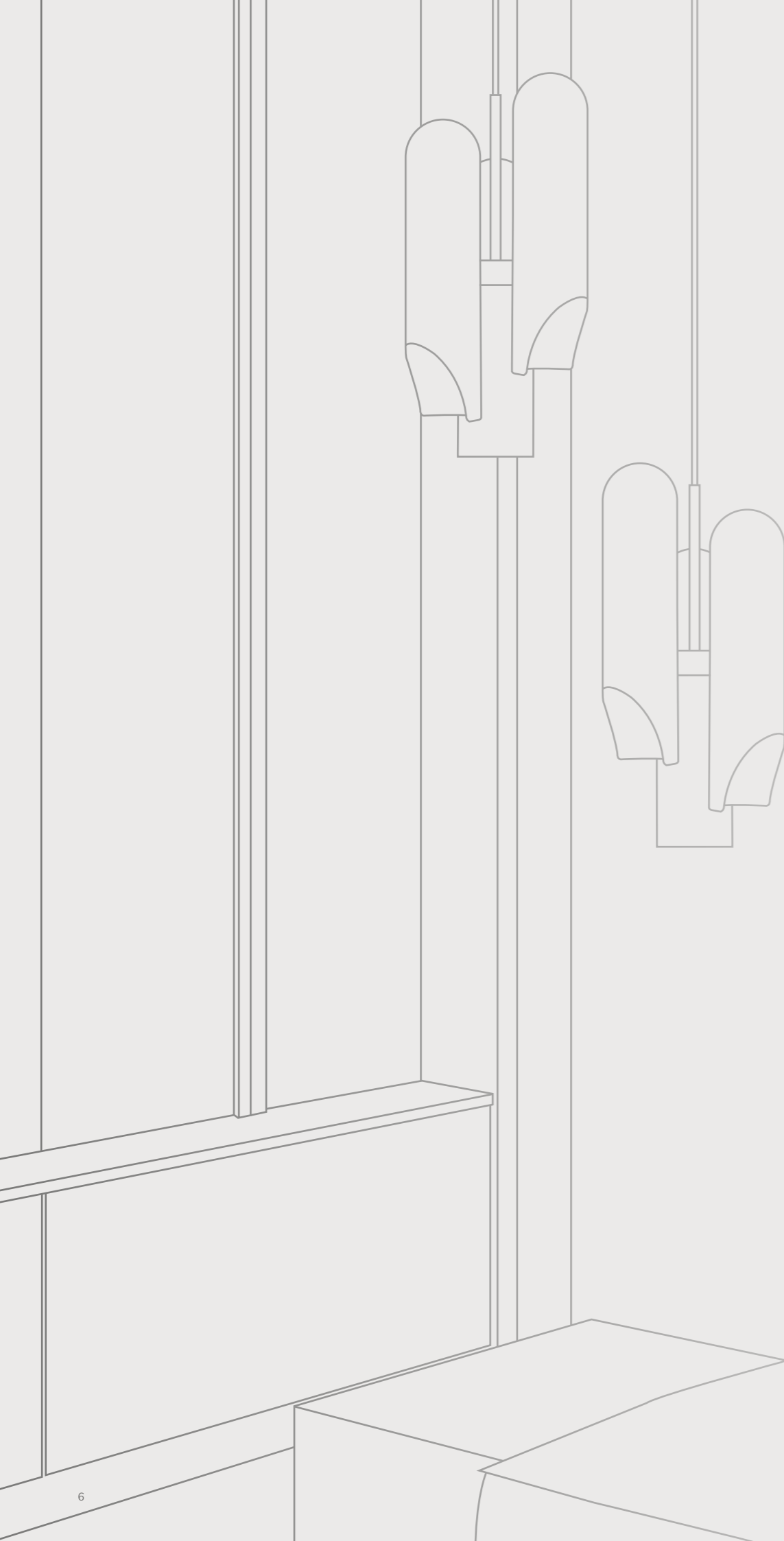
Rochelle p. 44



Table of contents

08	<i>Asger Risborg Jakobsen</i>	72	<i>Families</i>
12	<i>Anker Studio</i>	108	<i>Pendants</i>
26	<i>Bjørn+Balle</i>	124	<i>Table lamps</i>
32	<i>Bønnelycke MDD</i>	128	<i>Wall lamps</i>
38	<i>Charlotte Høncke</i>	134	<i>Ceiling lamps</i>
48	<i>Maria Berntsen</i>	138	<i>Icon index</i>
60	<i>Sofie Lefèvre</i>	140	<i>Product index</i>

*Designers
Journal*



*“I believe that instead
of making trendy
objects we should try
to make objects
that outlive trends”*



Asger Risborg Jakobsen
Studied architecture at The Royal
Danish Academy in Copenhagen

Based in Copenhagen, Denmark



Asger Risborg Jakobsen

Even as a child Asger Risborg Jakobsen found joy in creating all kinds of tools that he played with in the fields and trees around his home. Later Asger chose to make his passion his way of living by studying architecture at The Royal Danish Academy in Copenhagen. After three years he felt the joy of designing fading away and needed a change.

This time, he wanted to try something completely different. Asger started studying medicine and quickly became fascinated with the architecture of the human body. He gradually rediscovered his joy of designing and now combines working in both fields. In his creative work, Asger finds inspiration in the simultaneous complexity and simplicity of nature – and he is driven by creating designs that outlive trends and that can endure everyday use over many years.

“I find lighting fascinating. It is both a practical and essential tool that enables us to unfold our lives after the sun sets. At the same time, it is an aesthetic element that affects us and our surroundings. It transforms the appearance of materials and shapes. It changes the atmosphere. Everything changes with the light.”

With his strong focus on longevity in terms of durability, functionality and aesthetics, Asger Risborg Jakobsen is not subject to short-lived trends and tendencies.

“I believe that instead of making trendy objects we should try to make objects that outlive trends. The objects we make will of course always reflect our time and in this way, nothing is genuinely timeless, but I aim to create contemporary classics.”



Watch the full
ambiance video



“I wanted to create a lamp that combines the delicate qualities of rice paper lanterns with the durability to endure everyday use over many years”

Asger Risborg Jakobsen

Hill

Hill is a large, geometric lampshade that fills the room without blocking the view. Created by Danish designer Asger Risborg, Hill is light as a cloud, but sharp as a rock. A lamp that is both complex and simple while creating a very soft light that spreads into the room in a calm, uniform way.

Learn more about Hill on page 114

Anker Studio



Anker Studio
Consists of designers Christian Troels
and Jonas Birkebæk Poulsen both
educated from Design School Kolding.

Based in Svendborg, Denmark

Danish design duo Anker Studio consists of Jonas Poulsen and Christian Troels Hansen. Both have been interested in creating and designing since childhood, which has resulted in a curious approach and a strong creative power in everything they do.

Jonas and Christian each take on different roles while working closely together. Their collaboration often helps them overcome the challenges that come up during the design process.

“When you’re two people working together, you’re forced to say what you’re thinking about out loud. That way it becomes real, and it forces you to make up your mind about it to a greater extent than when it’s just thoughts in your head. When you articulate your problem out loud, you often find another perspective on the solution.”

For Anker Studio, good design is a design that people remember and fall in love with. Something that is part of a bigger story and that will be cherished for years. When working with lighting, Jonas and Christian find the balance between functionality and aesthetics fascinating.

“The best thing about working with lighting is that it has a large range between functionality and art. Some lamps are only functional, while some are more emotionally and aesthetically driven. The emotionally driven pieces become like an art object in the home. That’s what makes the work fun. There’s room for differences”.

Spargo Wall, White/Brass 2320361001



Spargo

Indirect light is the driving force behind the Spargo wall light by Danish Anker Studio. The large, slightly curved shade reflects the light onto the wall and diffuses it into the room. The shade is elegantly held by the brushed brass base.

Learn more about Spargo on page 130



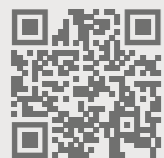
Watch the full
ambience video



The Taido table lamp by Anker Studio consists of two geometric shapes that together create a refined silhouette. The angled, round shade is elegantly pinned on the conical base.

The lampshade can be adjusted in many directions, allowing you to change the ambience.

Learn more about Taido on page 127



Watch the full
ambience video

Taido Table, Chrome 2320375033





Watch the full
ambience video

Furiko

The Furiko wall light by Anker Studio has a simple and elegant design language. The light reflects backwards onto the beautiful spherical shade, creating a soft and indirect light. Furiko is perfect for the hallway or bedroom where a soft light is essential.

Learn more about Furiko on page 130



Versale Table, White 2220075001



Versale

The Versale series by Anker Studio is the epitome of Scandinavian minimalism cut to the very core. A perfectly round shade with a uniform light surface only disturbed by the piercing frame. The whole series can easily create the perfect ambience anywhere you need a pleasant, glare-free light.

Learn more about Versale on page 105



Versale Pendant, Brown 2220053009

“Some lamps are only functional, while some are more emotionally and aesthetically driven.

The emotionally driven pieces become like an art object in the home. That’s what makes the work fun”

Anker Studio



Watch the full
ambience video



Rune Balle & Christian Bjørn
Consists of designers Christian Bjørn and Rune Balle.
The duo has carried out a large number of creative
design tasks for both national and international
clients

Based in Copenhagen, Denmark

Learn more about
the designers



*“Quiet is better than loud.
We like to create designs
that are very simple.
Designs that people
feel safe about”*



Bjørn + Balle

The designers combine minimalistic Scandinavian design with international trends. It's about image creation and recognizability. The overall identity of the product is its form, function, details, structure and materials, which all comes together. A product never stands alone but is part of an environment where the story being told supports the design.

Bjørn + Balle have both carried out a large number of design tasks for both national and international clients at many different areas, such as product design, furniture design, interior design, identity programs and exhibitions, and together they have great success with lighting design.

Bjørn + Balle has delivered a wide range of innovative technical solutions for the industry, as well as beautifully designed products for the consumer market.

Arcello Portable, Antrazite 2220155050



Arcello

With Arcello Danish design duo Bjørn + Balle has created an elegant portable light with a pleasant, downward facing light. The design is simple, yet distinct with a beautiful, uniform anodized surface from top to bottom. The lamp is easily charged with the included USB cable.

Learn more about Arcello on page 124



Arcello Portable, Brown brass 2220155061

Norbi

Danish design duo Bjørn + Balle has created Norbi. A minimalist pendant with an industrial touch. The matt shade is contrasted by a brushed steel detail that enables the shade to move up and down. Moving the shade up creates a diffused light that spreads into the room, and moving it further down centres the light downwards - creating the perfect lighting for different situations.

Learn more about Norbi on page 117





Bønnelycke MDD
A Multi-Disciplinary Design company
with a desire to work constructively and innovatively

Based in Aarhus, Denmark

Learn more about
the designer



*“Great design is giving
people what they want,
and a little bit more”*



Bønnelycke MDD

Bønnelycke MDD was established in 1988. Driven by a nosurpressable urge and desire to work constructively and innovatively, Bønnelycke mdd started his career with the design of lamps, furniture and interior decorating.

Quickly, he became known as an unconventional architect with no whims and fancies. His ability to challenge and optimize the manufacturing process itself is to be found in Henrik’s original professional background as a toolmaker. “It could be fun” and “of course it can be done” – are phrases often used in his company.

From day one, the core of his work has been to create products simply because they are needed. Designs by Bønnelycke MDD grow out of a specific need or requirement expressed by the customer – and by the general public as such. This has resulted in a comprehensive portfolio of projects and designs allowing the company to slowly but steadily expand over the years.

Nomi Wall, Black 2220171003



Nomi Floor, Black 2220194003

Nomi

In the Nomi series, there is an obvious ease between the simple frame and adjustable lamp head. In this series, designer Henrik Bønnelycke has combined the minimalistic shape with innovative LED technology in a very convincing way. A beautiful aesthetic design language with the slim frame and robust base makes Nomi admirable, and will surely create joy year after year.

Learn more about Nomi on page 88

Nomi 5-pendant, Black 2220163003



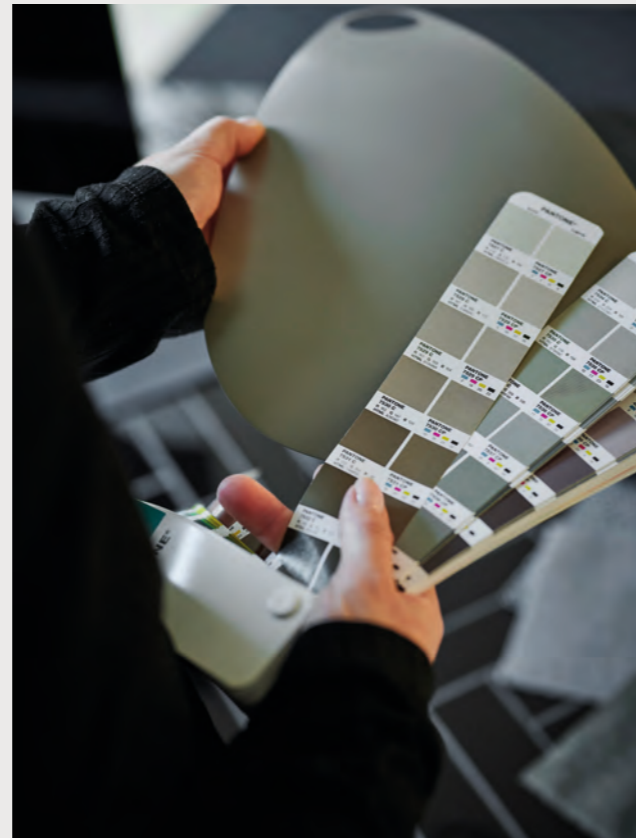


Kaito Pro

With Kaito Pro, Bønnelycke MDD has created a ceiling fixture that breaks with tradition. A ceiling fixture where design and innovation merge into something greater. The shape stands out as sharp, modern and as a uniform, luminous surface. The functional kip joint, made from brass, adds an elegant superiority to the design.

Learn more about Kaito Pro on page 135

Charlotte Høncke



“I like exploring new materials, shapes and techniques and I never choose the easy way out”

Charlotte Høncke has always had a great passion for design and knew from a very early age that she wanted to pursue a career in design or architecture. In 2002 she graduated from Aarhus School of Architecture in Industrial Design, and a few years later she chose to become self-employed working with design full time.

Charlotte finds inspiration everywhere she goes – from nature, architecture or travelling the world. New ideas often require new methods for designing and creating which sometimes forces her to explore new ways.

“I like exploring new materials, shapes and techniques and I never choose the easy way out. That sometimes causes challenges, both for me as a designer but also for the manufacturer. But exploring new methods is also what makes the job diverse and exciting.”

Lighting design is something that Charlotte Høncke finds particularly interesting because of its versatility and the need for balancing functionality with aesthetics.

“Besides having to provide the right, functional light, I also think lamps need to be beautiful when turned off. Lamps are one of the elements that bring most atmosphere into the interior, and I personally like to have many different types of lamps in my home to create just the light and atmosphere I want.”



Learn more about the designer

Charlotte Høncke
Holds a degree from Aarhus School of Architecture in Industrial Design

Based in Aarhus, Denmark



Watch the full
ambience video



Fabiola Table, Black/Brass 2220245003

Fabiola

The Fabiola table lamp by Danish designer Charlotte Høncke draws inspiration from vintage Italian design and effortlessly unites past classics with present modernity. The design is elegant and sculptural, underlined by the placement of the shade, which ensures a soft, indirect light. Brass details add a luxurious look and feel.

Learn more about Fabiola on page 80

Fabiola Pendant, Black/Brass 2220223003



Rochelle, Black 2320301003



Rochelle

The Rochelle series by Danish designer Charlotte Hønlcke has a modern Italian design language with a slender, sculptural lamp head. The adjustable lamp head can be directed in any way you want, making the lamp perfect next to your bed or above your kitchen counter.

Learn more about Rochelle on page 91



Rochelle Floor, Black 2320314003

“With Rochelle, I wanted to create a functional lamp series with a sculptural and organic design expression.

The characteristic shade has a simple cylindrical shape with a distinctive cutout that provides a pleasant, diffused light.”

Charlotte Høncke



Watch the full
ambience video

Rochelle Pendant, Black 2320283003



Caché Table, Black 2220275003



Caché

With Caché, Danish designer Charlotte Hønlcke has created a table lamp with an intriguing and eye-catching design. The lamp is made from two perfectly round shades, united elegantly by a solid marble base. Caché creates an interesting and playful ambience where the light is reflected back and forth between the two shades.

Learn more about Caché on page 125



“To me, success is when my design brings joy in the everyday lives of people”



Learn more about the designer

Maria Berntsen
Holds degrees from both
The Royal Danish Academy Art
and L'Ecole d'Architecture

Based in Copenhagen, Denmark



Maria Berntsen

With her own design studio in Copenhagen, Maria Berntsen has since 1992 focused on architecture and design. Maria Berntsen is a well-established name in the design industry and has over the years collaborated with a wide range of Danish and international companies, where her extensive experience has resulted in many successful designs.

“At the start of a new project, I look for an idea with nerve, functionality and identity. By modelling and visualizing, I test the idea, how it might be used, and its presence.

Good design communicates and establishes a dialogue with the receiver. Design is not just about functionality – it is as much about the emotional connection and impact. To me, success is when my design brings joy in the everyday lives of people”



Glossy

Glossy is the epitome of tasteful and sophisticated design. Danish designer Maria Berntsen has created a lamp series that oozes of Nordic minimalism, where the combination of brushed steel and opal white glass contributes to an incredibly elegant design. Glossy is named after the shiny surface of the opal white glass, which lets a soft and comfortable light shine through.

[Learn more about Glossy on page 81](#)

"Glossy is my favourite lamp. I feel that it successfully balances form and a mix of materials. The entire construction and expression of the lamp is simple and timeless."

Maria Berntsen



Watch the full
ambience video



Align

Align is a series of elegant contemporary lights by Danish designer Maria Berntsen that encourage interaction and spark curiosity. The inner shade of the light is static, while the outer shade can easily be moved for a changeable light that suits any need.

Learn more about Align on page 74



Align Pendant, Black 2320053003

Align Pendant, White 2320053001



Watch the full
ambiance video



Shapes

The Shapes series by Danish designer Maria Berntsen draws inspiration from elegant, organically shaped jewellery. The opal glass shade has a unique, asymmetrical form that plays beautifully together with the shiny brass base and creates a refined and intriguing look. The lamp emits a soft, diffused light through the mouth-blown glass shade.

[Learn more about Shapes on page 92](#)

Studio Mauro//Lefèvre by Sofie Lefèvre



“I generally like challenges. Challenges create a sense of suspension, even though I know that it’s almost always possible to find a solution – it’s really just a matter of time”



Learn more about
the designer

Sofie Lefèvre
Holds a degree in Innovation
Design from Royal College of Art
Based in Copenhagen, Denmark

The road to becoming a designer has not been straight ahead for Sofie Lefèvre. She started studying medicine, but after a year changed her course and continued her education within the design field. Several years in London and a degree in Innovation Design from Royal College of Art gave her hands-on experience and the drive to pursue a career within design.

Working with lighting design comes naturally to Sofie. She understands and emphasizes the impact light has on our lives and is fascinated by the way light can change the interior: *“I find it very interesting working with atmospheres created by light. There are so many aspects where my inner child can be released, playing with angles, materials and openings to create the wanted reflection or diffusion of light.”*

Takai Table, Brown Marble 2320445018



Takai

The Takai series by Studio Mavro//Lefèvre by Sofie Lefèvre has a large fabric shade with a beautiful shape that invites you to look at it from many different angles. The combination of the flax linen shade and the burnished brass creates a very soft and warm design language.

Learn more about Takai on page 104



Watch the full
ambience video



Takai Pendant, Brown brass 2320403018



Mademoiselles Table, White 2220405001



Mademoiselles

Mademoiselles by Danish design Studio Mavro//Lefèvre by Sofie Lefèvre has a fun and light-hearted design expression where the round, oversized shade is balanced by the solid, marble base. Light is reflected upwards onto the bottom of the shade, creating a soft, indirect ambience.

Learn more about Mademoiselles on page 126



Watch the full
ambience video



Navone

Navone is designed by Danish design Studio Mavro//Lefèvre by Sofie Lefèvre. The overall shape of the shade is soft and round, yet the very subtle curved bottom adds a new interesting dimension that transforms the lamp into more than just a sphere. The brass details add a contemporary touch, underlining the suspended lightness of the lamp.

Learn more about Navone on page 115



“The design of Navone is quite timeless, and I love how the suspension becomes an extension of the shape of the glass – two shapes in one harmonic interplay”

Sofie Lefèvre



Watch the full
ambience video

Families

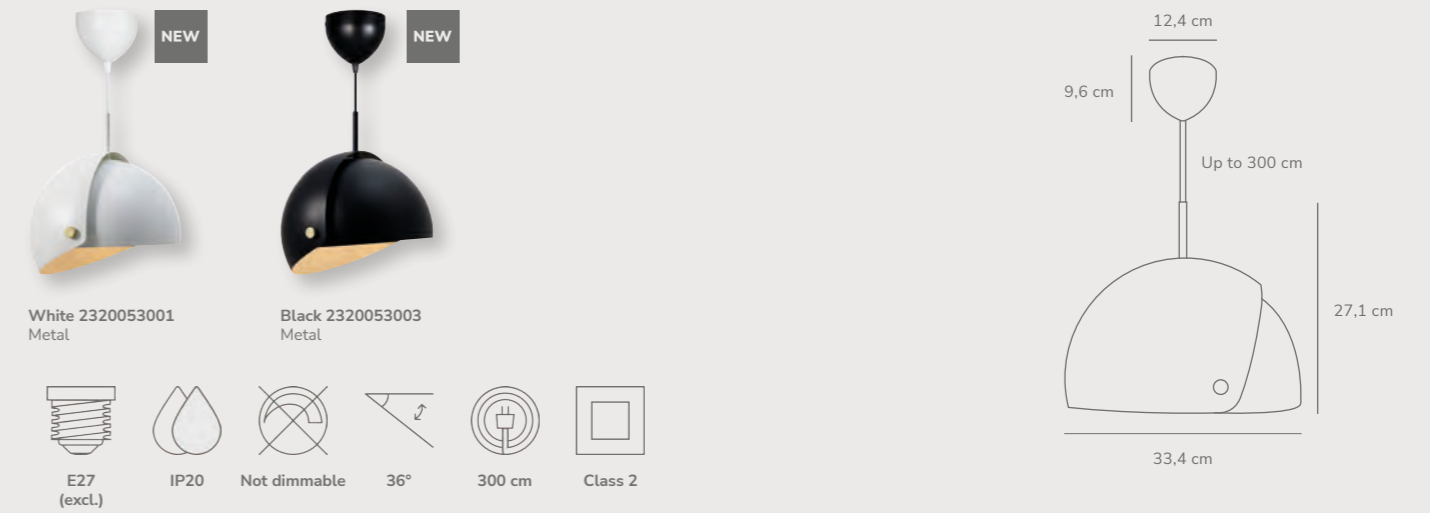


Align Table designed by Maria Berntsen



Measurements	Dimmable	Cable info	Switch	Max. W	Masterbox
H: 33,5 cm, W: 23 cm, L: 23 cm, shade Ø: 22 cm, shade H: 12 cm	No, cannot be dimmed	White/Black/Grey Textile Not replaceable	On the cable	25W	Qty. 3

Align Pendant designed by Maria Berntsen



Measurements	Dimmable	Cable info	Canopy info	Max. W	Masterbox
H: 27,1 cm, W: 33,4 cm, L: 33,4 cm, shade Ø: 32 cm	No, cannot be dimmed	White/Black Textile Not replaceable	White/Black Metal 12,4 x 9,6 cm	15W	Qty. 2

Angle E27 Pendant designed by Maria Berntsen



Measurements	Dimmable	Cable info	Canopy info	Max. W	Masterbox
H: 31,5 cm, shade Ø: 20,6 cm	Yes, can be dimmed by choosing a dimmable bulb	White/Black/Grey Textile Not replaceable	White/Black/Grey Plastic 11,85 x 7,35 cm	60W	Qty. 3

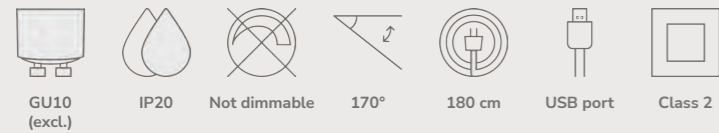
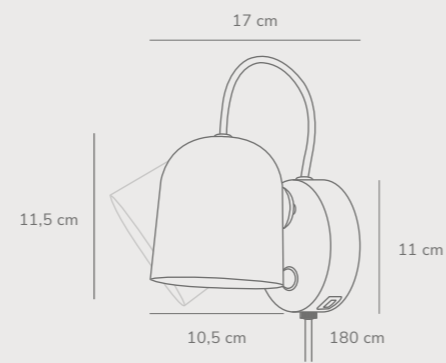
Angle GU10 Wall designed by Maria Berntsen



White/Telegrey 2120601001
Metal

Black 2120601003
Metal

Grey 2120601010
Metal



Measurements	Dimmable	Cable info	Switch	Max. W	Masterbox
H: 11,5 cm, W: 10,5 cm, L: 17 cm, shade Ø: 10,5 cm	No, cannot be dimmed	White/Black/Grey Textile Replaceable	On the fixture	25W	Qty. 3

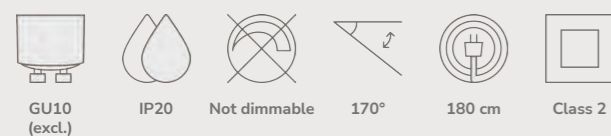
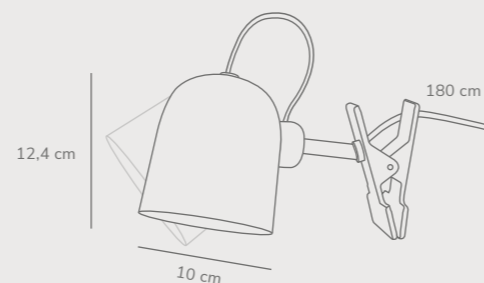
Angle Clamp lamp designed by Maria Berntsen



White/Telegrey 2220362001
Metal

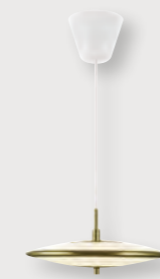
Black 2220362003
Metal

Grey 2220362010
Metal

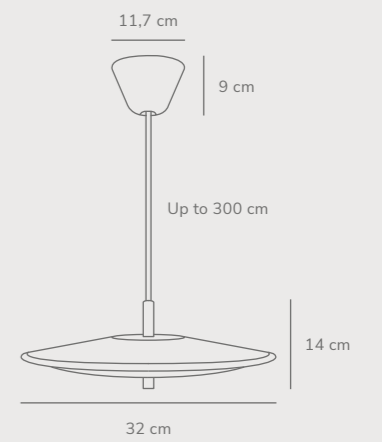


Measurements	Dimmable	Cable info	Switch	Max. W	Masterbox
H: 12,4 cm, W: 10 cm, L: 10 cm, shade Ø: 10 cm	No, cannot be dimmed	White/Black/Grey Textile Not replaceable	On the cable	15W	Qty. 3

Blanche 32 Pendant designed by Bjørn+Balle



Brass 2120753035
Metal

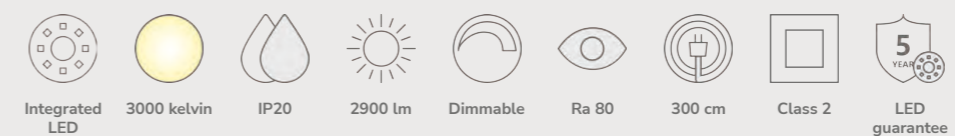


Measurements	Dimmable	Cable info	Canopy info	LED W	Lifespan	Masterbox
H: 14 cm, W: 32 cm, L: 32 cm, shade Ø: 32 cm, shade H: 14 cm, Ø: 32 cm	Yes, has built-in dimmable light source for wall dimmer	White Textile Not replaceable	White Plastic 11,7 x 9 cm	14W	30000 hours	Qty. 2

Blanche 42 Pendant designed by Bjørn+Balle



Brass 2120773035
Metal

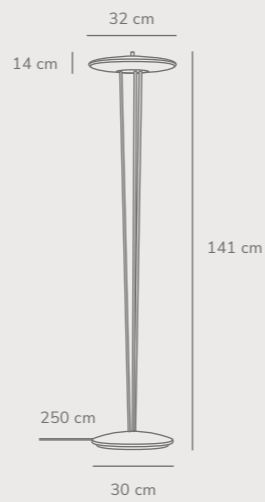


Measurements	Dimmable	Cable info	Canopy info	LED W	Lifespan	Masterbox
H: 14,5 cm, W: 42 cm, L: 42 cm, shade Ø: 42 cm, shade H: 14,5 cm, Ø: 42 cm	Yes, has built-in dimmable light source for wall dimmer	White Textile Not replaceable	White Plastic 11,7 x 9 cm	23W	30000 hours	Qty. 2

Blanche Floor designed by Bjørn+Balle



Brass 2120794035
Metal

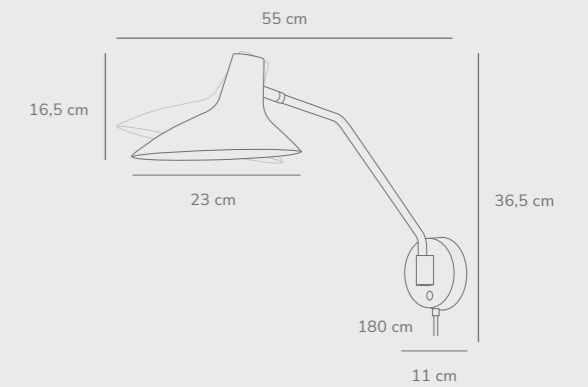


Measurements	Dimmable	Cable info	Switch	LED W	Lifespan	Masterbox
H: 141 cm, W: 32 cm, L: 32 cm, shade Ø: 32 cm, shade H: 14 cm, tube Ø: 1,25 cm, Ø: 32 cm	Yes, has built-in dimmable light source with button or touch	White Textile Not replaceable	On the fixture	18W	30000 hours	Qty. 1

Darci Wall designed by Bjørn+Balle



Black 2120551003
Metal

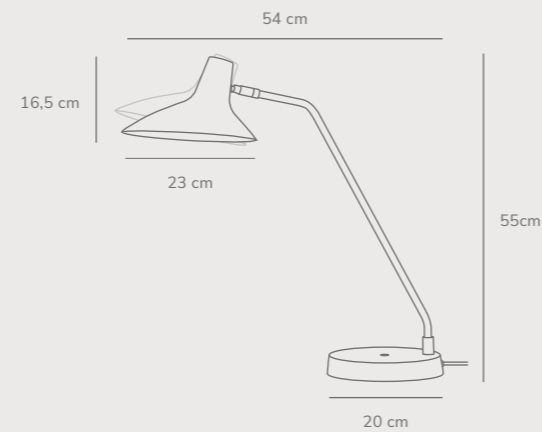
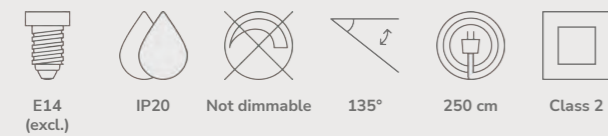


Measurements	Dimmable	Cable info	Switch	Max. W	Masterbox
H: 36,5 cm, W: 23 cm, L: 55 cm, shade Ø: 23 cm, shade H: 16,5 cm, tube Ø: 1,25 cm	No, cannot be dimmed	Black Textile Replaceable	On the fixture	25W	Qty. 3

Darci Table designed by Bjørn+Balle



Black 2120565003
Metal

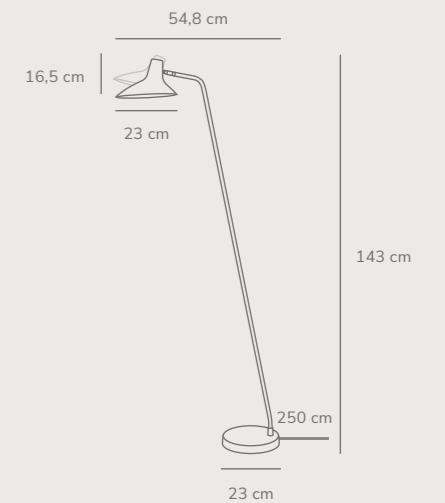


Measurements	Dimmable	Cable info	Switch	Max. W	Masterbox
H: 55 cm, W: 23 cm, L: 54 cm, shade Ø: 23 cm, shade H: 16,5 cm, tube Ø: 1,25 cm	No, cannot be dimmed	Black Textile Not replaceable	On the base	25W	Qty. 2

Darci Floor designed by Bjørn+Balle



Black 2120584003
Metal

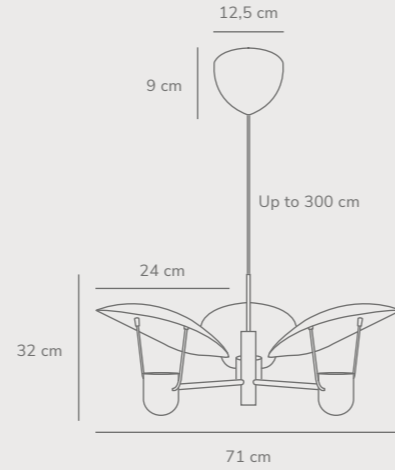
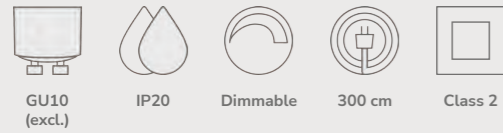


Measurements	Dimmable	Cable info	Switch	Max. W	Masterbox
H: 143 cm, W: 23 cm, L: 54,8 cm, shade Ø: 23 cm, shade H: 16,5 cm, tube Ø: 1,56 cm	No, cannot be dimmed	Black Textile Not replaceable	On the cable	25W	Qty. 2

Fabiola Pendant designed by Charlotte Høncke Design



Black 2220223003
Metal

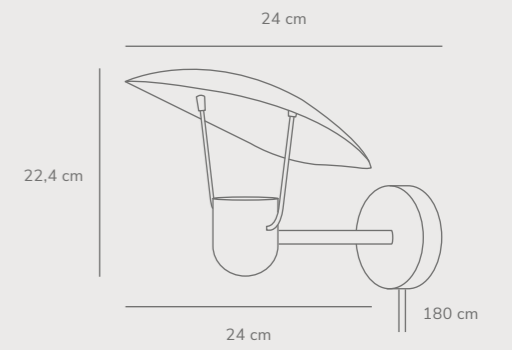
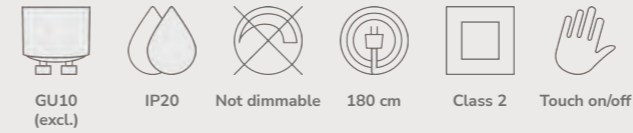


Measurements	Dimmable	Cable info	Canopy info	Max. W	Masterbox
H: 32 cm, W: 71 cm, shade Ø: 24 cm, tube Ø: 1,1 cm, Ø: 71 cm	Yes, can be dimmed by choosing a dimmable bulb	Black Textile Not replaceable	Black Textile 12,5 cm x 9 cm	40W	Qty. 1

Fabiola Wall designed by Charlotte Høncke Design



Black 2220231003
Metal

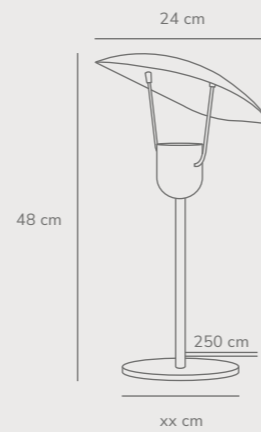


Measurements	Dimmable	Cable info	Switch	Max. W	Masterbox
H: 22,4 cm, W: 24 cm, L: 24 cm, tube Ø: 1,3 cm	No, cannot be dimmed	Black Textile Replaceable	Touch on/off on the base	40W	Qty. 3

Fabiola Table designed by Charlotte Høncke Design

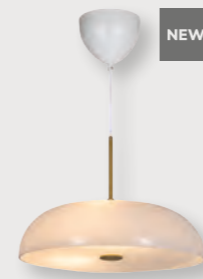


Black 2220245003
Metal

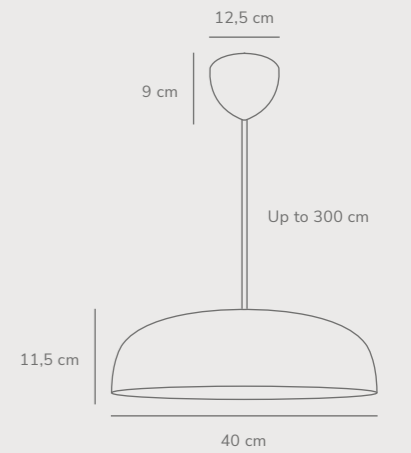


Measurements	Dimmable	Cable info	Switch	Max. W	Masterbox
H: 48 cm, W: 24 cm, L: 24 cm, shade Ø: 27 cm, tube Ø: 1,6 cm, Ø: 27 cm	No, cannot be dimmed	Black Textile Not replaceable	On the cable	40W	Qty. 3

Glossy Pendant designed by Maria Berntsen



White 2220313001
Glass



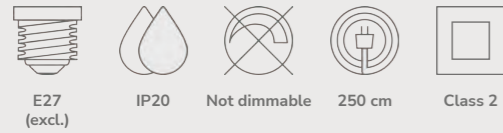
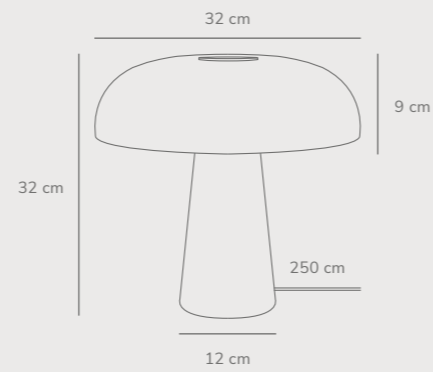
Measurements	Dimmable	Cable info	Canopy info	Max. W	Masterbox
H: 11,5 cm, W: 40 cm, L: 40 cm, shade Ø: 40 cm	Yes, can be dimmed by choosing a dimmable bulb	White Textile Not replaceable	White Metal 12,5 cm x 9 cm	25W	Qty. 2

Glossy Table designed by Maria Berntsen



Opal white 2020505001
Marble

Grey 2020505010
Marble



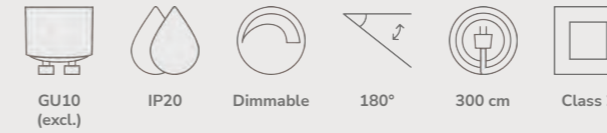
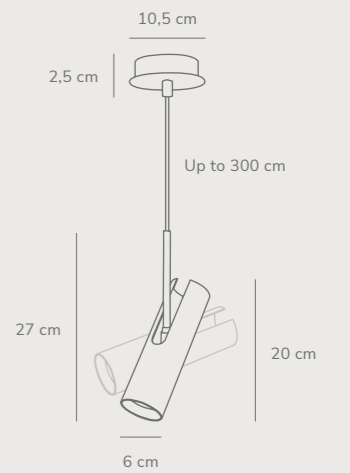
Measurements	Dimmable	Cable info	Switch	Max. W	Masterbox
H: 32 cm, W: 32 cm, L: 32 cm, shade Ø: 32 cm, shade H: 9 cm, Ø: 32 cm	No, cannot be dimmed	White Textile Not replaceable	On the cable	15W	Qty. 2

MIB 6 Pendant designed by Bønnelycke MDD



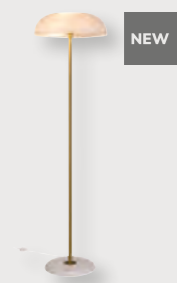
White 71679901
Metal

Black 71679903
Metal

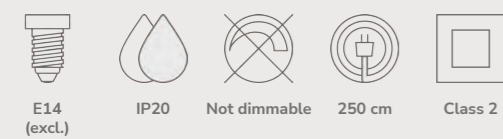
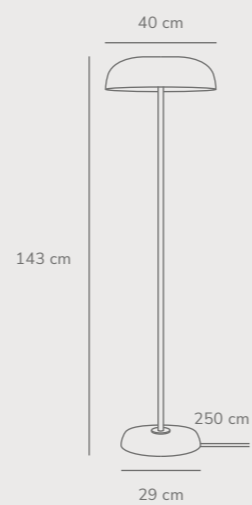


Measurements	Dimmable	Cable info	Canopy info	Max. W	Masterbox
H: 27 cm, shade Ø: 6 cm, shade H: 20 cm, tube Ø: 1 cm	Yes, can be dimmed by choosing a dimmable bulb	White/Black Textile Not replaceable	White/Black Metal 10,5 x 2,5 cm	8W	Qty. 3

Glossy Floor designed by Maria Berntsen



White 2220344001
Glass



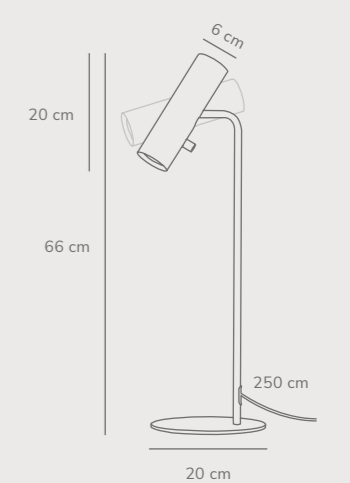
Measurements	Dimmable	Cable info	Switch	Max. W	Masterbox
H: 143 cm, W: 40 cm, L: 40 cm, shade Ø: 40 cm, tube Ø: 1,9 cm	No, cannot be dimmed	White Textile Not replaceable	On the cable	25W	Qty. 1

MIB 6 Table designed by Bønnelycke MDD



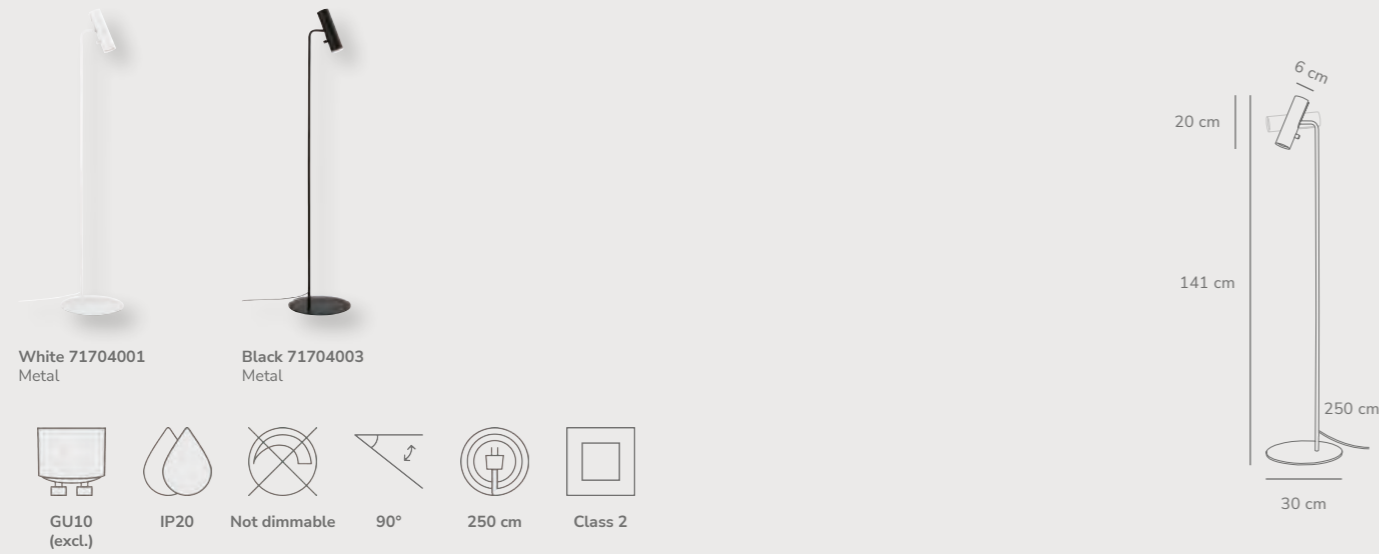
White 71655001
Metal

Black 71655003
Metal



Measurements	Dimmable	Cable info	Switch	Max. W	Masterbox
H: 66 cm, shade Ø: 6 cm, shade H: 20 cm, tube Ø: 1,27 cm	No, cannot be dimmed	White/Black Plastic Not replaceable	On the fixture	8W	Qty. 3

MIB 6 Floor designed by Bønnelycke MDD



Measurements	Dimmable	Cable info	Switch	Max. W	Masterbox
H: 141 cm, shade Ø: 6 cm, shade H: 20 cm, tube Ø: 1,27 cm	No, cannot be dimmed	White/Black Plastic Not replaceable	On the fixture	8W	Qty. 2

MIB 6 Wall designed by Bønnelycke MDD



Measurements	Dimmable	Cable info	Switch	Max. W	Masterbox
H: 20 cm, W: 10 cm, shade Ø: 6 cm, shade H: 20 cm, projection: 17,1 cm, wall base: Ø10 cm	No, cannot be dimmed	White/Black Plastic Replaceable	Touch on/off on the base	8W	Qty. 3

MIB Ceiling designed by Bønnelycke MDD



Measurements	Dimmable	Max. W	Masterbox
H: 20 cm, W: 10 cm, shade Ø: 6 cm, shade H: 20 cm, wall base: Ø10 cm	Yes, can be dimmed by choosing a dimmable bulb	8W	Qty. 3

Nexus 2.0 Small Pendant designed by Bønnelycke MDD



Measurements	Dimmable	Cable info	Canopy info	Max. W	Masterbox
H: 15 cm, W: 10 cm, shade Ø: 10 cm, shade H: 15,3 cm	Yes, can be dimmed by choosing a dimmable bulb	White/Black Textile Not replaceable	White/Black Plastic 11,7 x 9 cm	6W	Qty. 3

Nexus 2.0 Pendant designed by Bønnelycke MDD



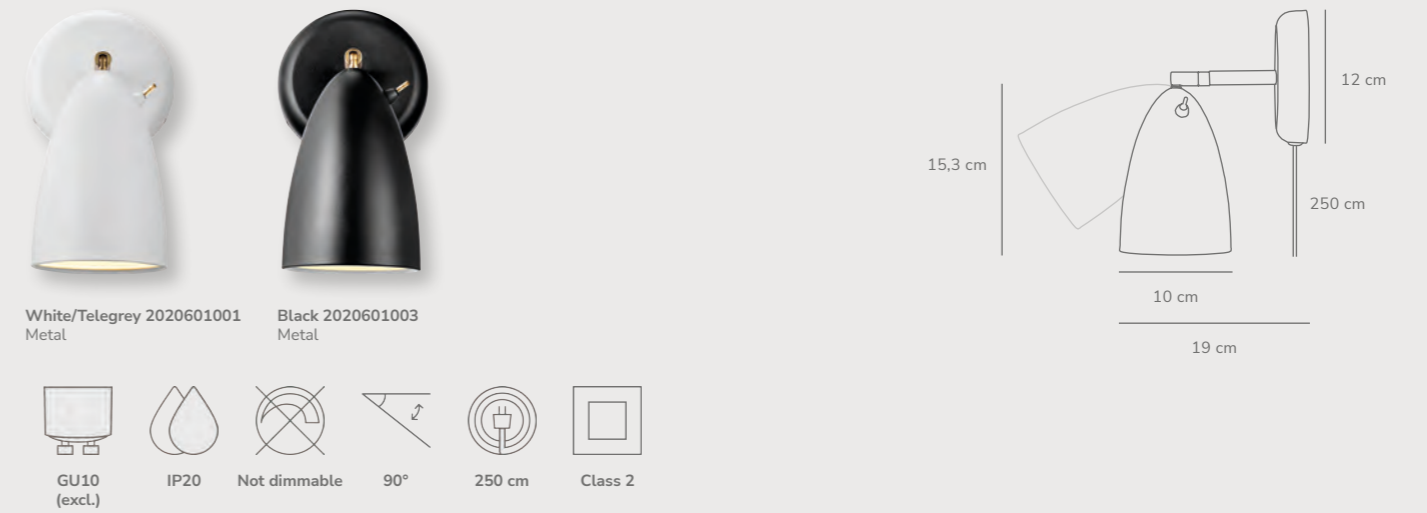
White/Telegrey 2020583001
Metal

Black 2020583003
Metal



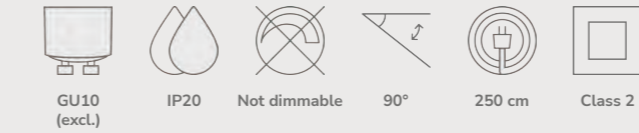
Measurements	Dimmable	Cable info	Canopy info	Max. W	Masterbox
H: 25,4 cm, W: 20 cm, shade Ø: 20 cm, shade H: 25,2 cm	Yes, can be dimmed by choosing a dimmable bulb	White/Black Textile Not replaceable	White/Black Plastic 11,7 x 9 cm	40W	Qty. 2

Nexus 2.0 Wall designed by Bønnelycke MDD



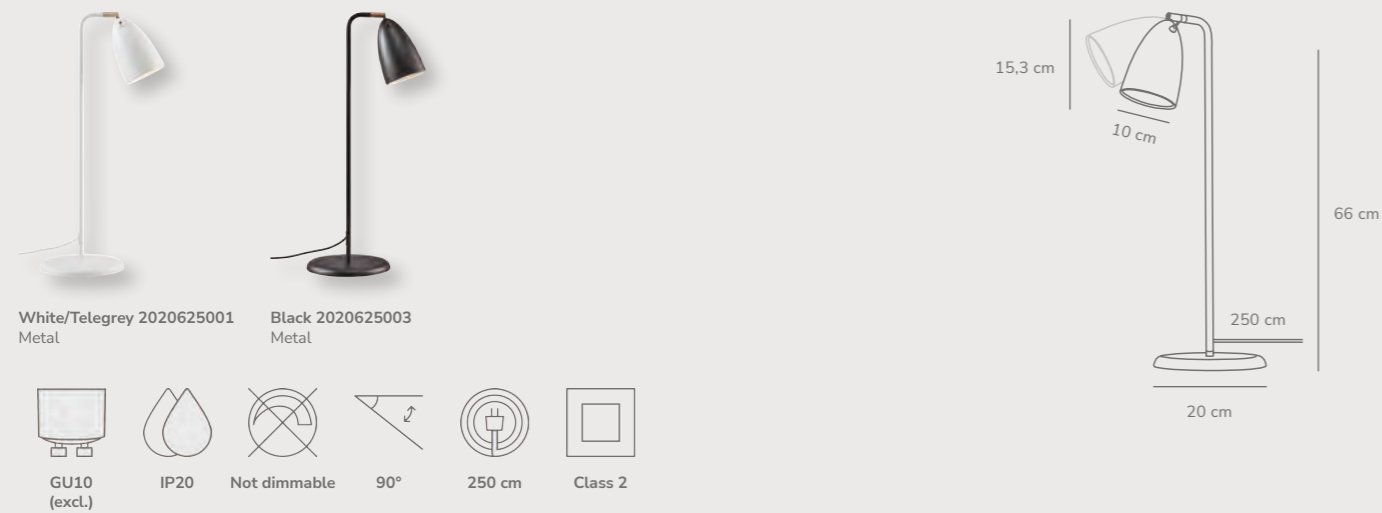
White/Telegrey 2020601001
Metal

Black 2020601003
Metal



Measurements	Dimmable	Cable info	Switch	Max. W	Masterbox
H: 22 cm, shade Ø: 10 cm, shade H: 15,3 cm, projection: 19 cm	No, cannot be dimmed	White/Black Textile Replaceable	On the fixture	6W	Qty. 3

Nexus 2.0 Table designed by Bønnelycke MDD



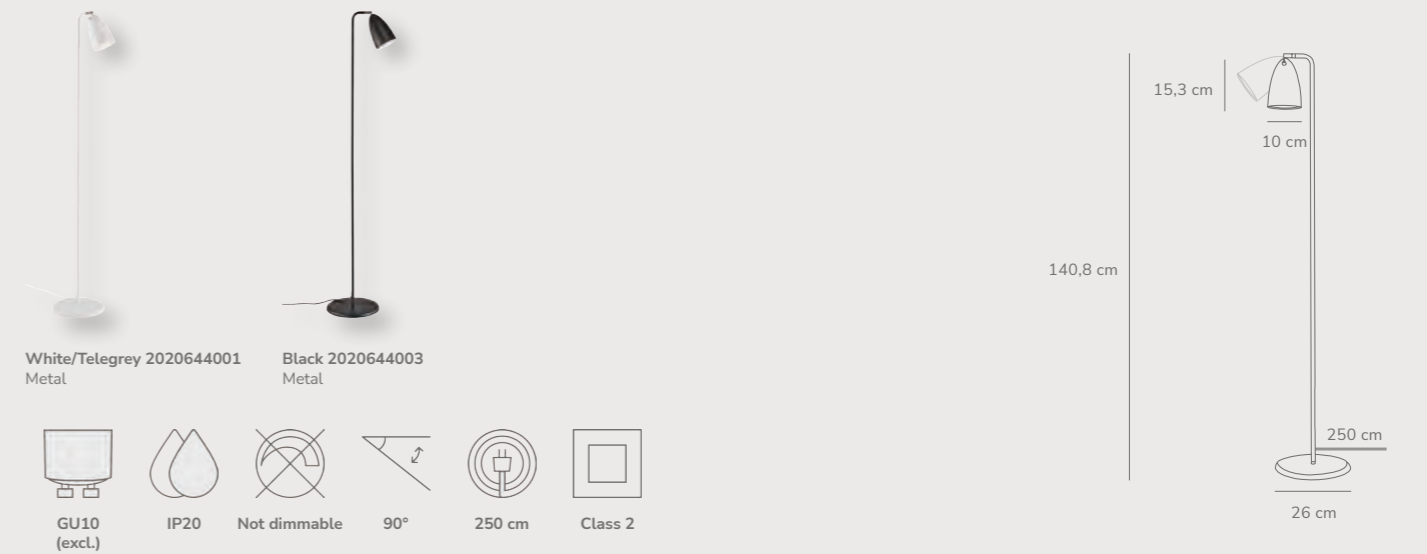
White/Telegrey 2020625001
Metal

Black 2020625003
Metal



Measurements	Dimmable	Cable info	Switch	Max. W	Masterbox
H: 66 cm, shade Ø: 10 cm, shade H: 15,3 cm	No, cannot be dimmed	White/Black Textile Not replaceable	On the fixture	6W	Qty. 2

Nexus 2.0 Floor designed by Bønnelycke MDD



White/Telegrey 2020644001
Metal

Black 2020644003
Metal

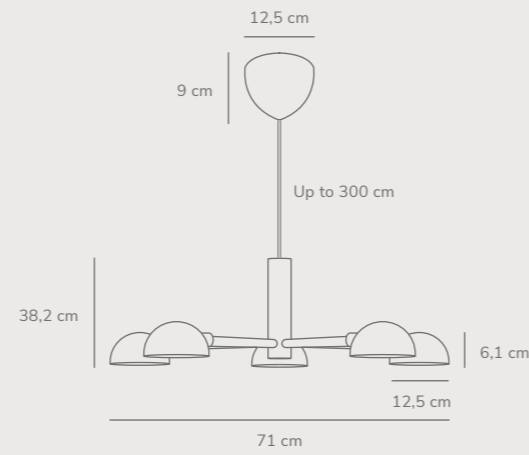


Measurements	Dimmable	Cable info	Switch	Max. W	Masterbox
H: 140,8 cm, shade Ø: 10 cm, shade H: 15,3 cm	No, cannot be dimmed	White/Black Textile Not replaceable	On the fixture	6W	Qty. 2

Nomi Pendant designed by Bønnelycke MDD



Black 2220163003
Metal

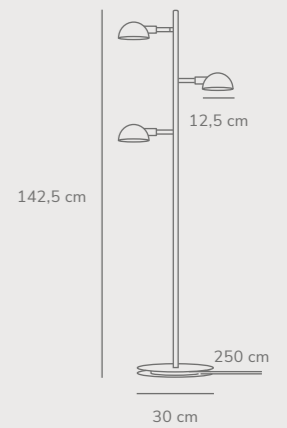


Measurements	Dimmable	Cable info	Canopy info	Max. W	Masterbox
H: 38 cm, W: 71 cm, shade Ø: 12,5 cm, shade H: 6,1 cm, Ø: 71 cm	Yes, can be dimmed by choosing a dimmable bulb	Black Textile Not replaceable	Black Textile 12,5 cm x 9 cm	5x8W	Qty. 2

Nomi Floor designed by Bønnelycke MDD



Black 2220194003
Metal

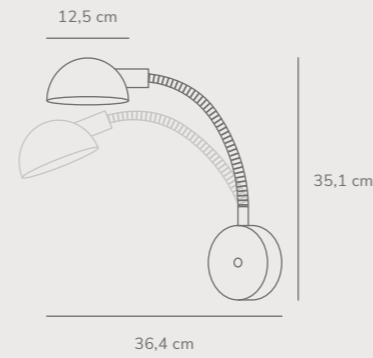
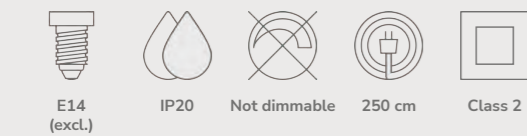


Measurements	Dimmable	Cable info	Switch	Max. W	Masterbox
H: 142,5 cm, W: 30 cm, L: 30 cm, shade Ø: 12,5 cm, Ø: 12,5 cm	No, cannot be dimmed	Black Textile Not replaceable	On the fixture	3x8W	Qty. 2

Nomi Wall designed by Bønnelycke MDD



Black 2220171003
Metal



Measurements	Dimmable	Cable info	Switch	Max. W	Masterbox
H: 35,1 cm, W: 60,5 cm, L: 60,5 cm, shade Ø: 12,5 cm, Ø: 12,5 cm, D: 36,4 cm	No, cannot be dimmed	Black Textile Replaceable	On the base	8W	Qty. 3

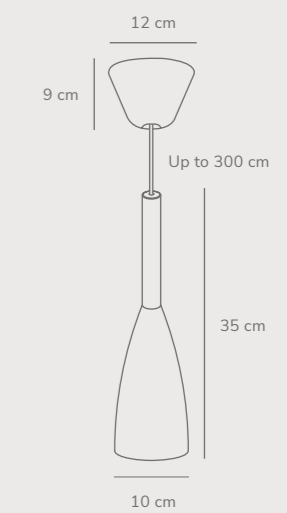
Pure Pendant designed by Bønnelycke MDD



White 78283001
Metal

Black 78283003
Metal

Grey 78283011
Metal

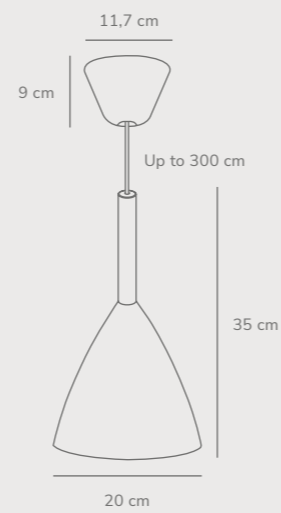


Measurements	Dimmable	Cable info	Canopy info	Max. W	Masterbox
H: 35 cm, shade Ø: 10 cm, shade H: 26 cm	Yes, can be dimmed by choosing a dimmable bulb	White/Black/Grey Textile Not replaceable	White/Black/grey Plastic 12 cm x 9 cm	40W	Qty. 3

Pure 20 Pendant designed by Bønnelycke MDD



White 43293001 Metal
Black 43293003 Metal
Grey 43293010 Metal

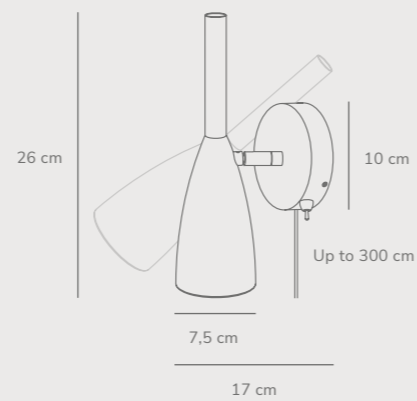
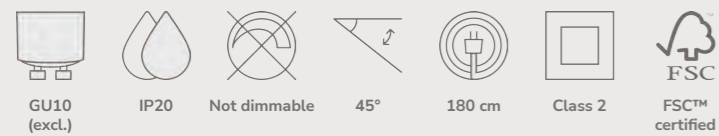


Measurements	Dimmable	Cable info	Canopy info	Max. W	Masterbox
H: 35 cm, shade Ø: 20 cm, shade H: 35 cm	Yes, can be dimmed by choosing a dimmable bulb	White/Black/Grey Textile Not replaceable	White/Black/Grey Plastic 11,7 cm x 7 cm	40W	Qty. 3

Pure Wall designed by Bønnelycke MDD



White 78271001 Metal
Black 78271003 Metal
Grey 78271011 Metal

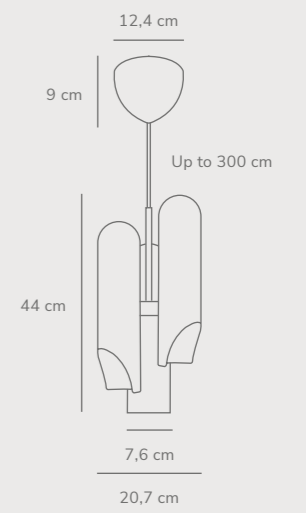


Measurements	Dimmable	Cable info	Switch	Max. W	Masterbox
H: 26 cm, shade Ø: 7,5 cm, shade H: 26 cm, projection: 17 cm, wall base: Ø10 cm	No, cannot be dimmed	White/Black/Grey Textile Replaceable	On the base	8W	Qty. 3

Rochelle Pendant designed by Charlotte Høncke Design



Black 2320283003 Metal

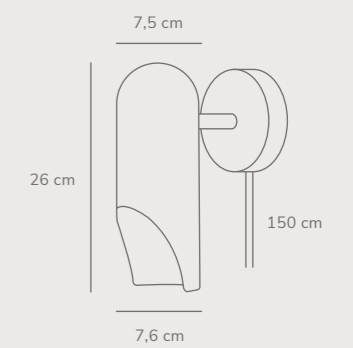


Measurements	Dimmable	Cable info	Canopy info	Max. W	Masterbox
H: 44 cm, W: 20,7 cm, L: 20,7 cm, shade Ø: 7,6 cm, Ø: 20,7 cm	Yes, can be dimmed by choosing a dimmable bulb	Black Textile Not replaceable	Black Metal 12,4 cm x 9 cm	8W	Qty. 3

Rochelle Wall designed by Charlotte Høncke Design

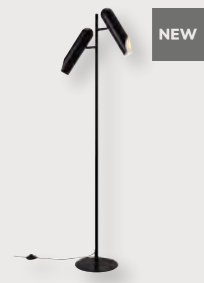


Black 2320301003 Metal



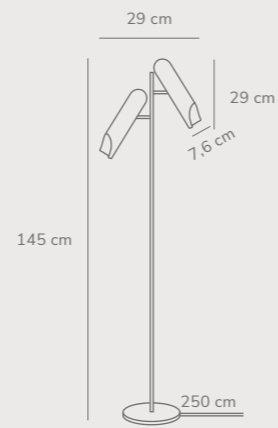
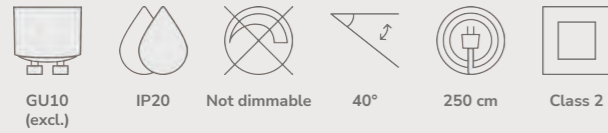
Measurements	Dimmable	Cable info	Switch	Max. W	Masterbox
H: 20,5 cm, shade Ø: 7,6 cm, Ø: 7,6 cm	No, cannot be dimmed	Black Textile Replaceable	On the base	8W	Qty. 3

Rochelle Floor designed by Charlotte Høncke Design



NEW

Black 2320314003
Metal

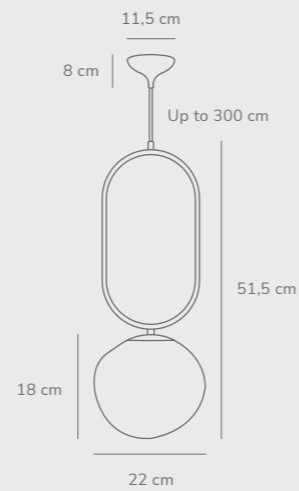
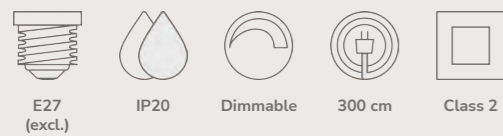


Measurements	Dimmable	Cable info	Switch	Max. W	Masterbox
H: 145 cm, W: 29 cm, L: 29 cm, shade Ø: 7,6 cm, tube Ø: 1,9 cm, Ø: 7,6 cm	No, cannot be dimmed	Black Textile Not replaceable	On the cable	2x8W	Qty. 2

Shapes 22 Pendant designed by Maria Berntsen



Brass 2120013035
Glass

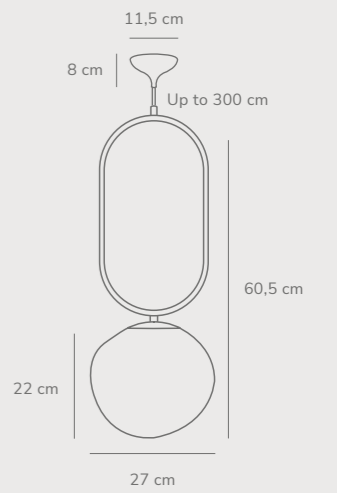


Measurements	Dimmable	Cable info	Canopy info	Max. W	Masterbox
H: 51,5 cm, L: 22 cm, shade Ø: 22 cm, shade H: 18 cm, tube Ø: 1,53 cm	Yes, can be dimmed by choosing a dimmable bulb	Black Textile Not replaceable	Black Plastic 11,5 x 8 cm	15W	Qty. 3

Shapes 27 Pendant designed by Maria Berntsen



Brass 2120023035
Glass

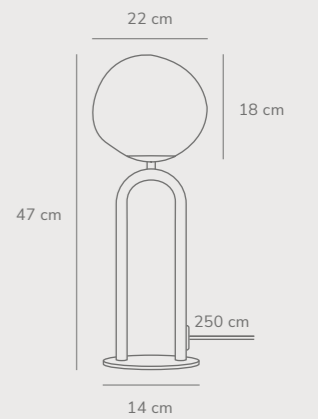
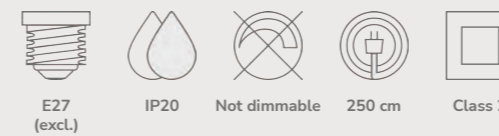


Measurements	Dimmable	Cable info	Canopy info	Max. W	Masterbox
H: 60,5 cm, W: 22 cm, L: 27 cm, shade Ø: 27 cm, shade H: 22 cm, tube Ø: 1,53 cm	Yes, can be dimmed by choosing a dimmable bulb	Black Textile Not replaceable	Black Plastic 11,5 x 8 cm	15W	Qty. 2

Shapes Table designed by Maria Berntsen



Brass 2120055035
Glass



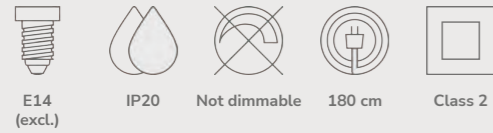
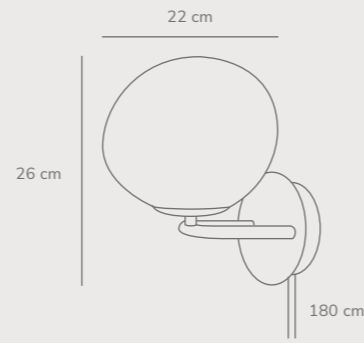
Measurements	Dimmable	Cable info	Switch	Max. W	Masterbox
H: 47 cm, W: 18 cm, L: 22 cm, shade Ø: 22 cm, shade H: 18 cm, tube Ø: 1,53 cm	No, cannot be dimmed	Black Textile Not replaceable	On the cable	15W	Qty. 3

Shapes Wall designed by Maria Berntsen



NEW

Brass 2320321035
Glass



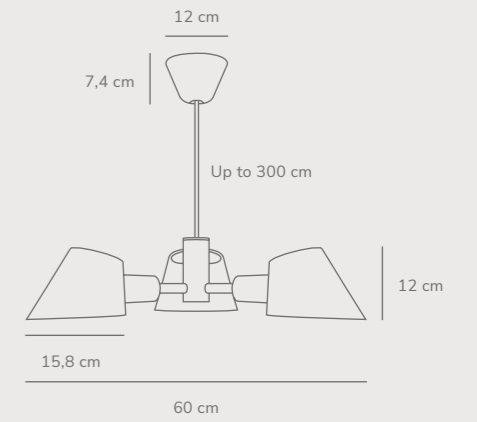
Measurements	Dimmable	Cable info	Switch	Max. W	Masterbox
H: 26 cm, W: 22,5 cm, shade Ø: 22 cm	No, cannot be dimmed	Black Textile Replaceable	On the cable	25W	Qty. 3

Stay 3-Spot Pendant designed by Maria Berntsen



Black 2120703003
Aluminium

Grey 2120703010
Aluminium

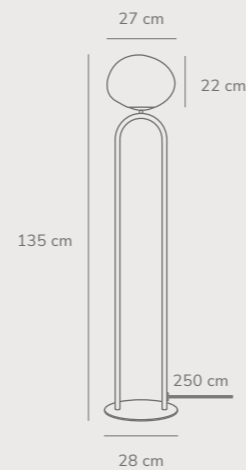


Measurements	Dimmable	Cable info	Canopy info	Max. W	Masterbox
H: 12 cm, shade Ø: 15,8 cm, shade H: 13 cm, Ø: 60 cm	Yes, can be dimmed by choosing a dimmable bulb	Black/Grey Textile Not replaceable	Black/Grey Plastic 12 x 7,4 cm	3x60W	Qty. 2

Shapes Floor designed by Maria Berntsen



Brass 2120074035
Glass



Measurements	Dimmable	Cable info	Switch	Max. W	Masterbox
H: 135 cm, W: 28 cm, L: 28 cm, shade Ø: 27 cm, shade H: 22 cm, tube Ø: 1,9 cm	No, cannot be dimmed	Black Textile Not replaceable	On the cable	15W	Qty. 2

Stay Table designed by Maria Berntsen



Grey 48185010
Aluminium

Black 48185003
Aluminium



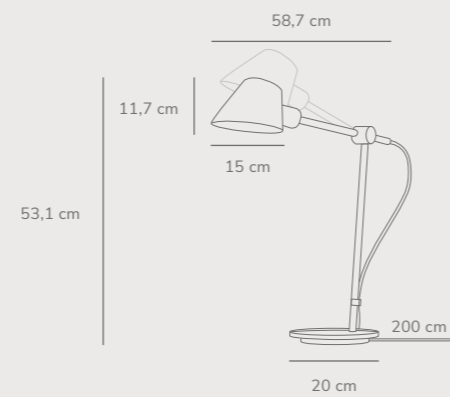
Measurements	Dimmable	Cable info	Switch	LED W	Lifespan	Masterbox
H: 47 cm, shade Ø: 14,5 cm, shade H: 9 cm, tube Ø: 1,2 cm	Yes, has built-in dimmable light source with button or touch	Black/Grey Textile Not replaceable	Touch on/off on the base	14,5W	20000 hours	Qty. 2

Stay Long Table designed by Maria Berntsen



Black 2020445003
Aluminium

Grey 2020445010
Aluminium



Measurements	Dimmable	Cable info	Switch	Max. W	Masterbox
H: 53,1 cm, shade Ø: 15 cm, shade H: 11,7 cm, projection: 58,7 cm, tube Ø: 1,57 cm	No, cannot be dimmed	Black/Grey Textile Not replaceable	On the fixture	60W	Qty. 2

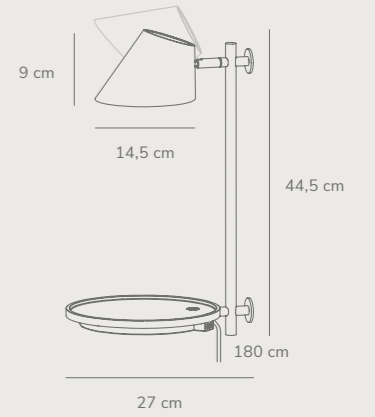


Stay Wall designed by Maria Berntsen



Black 48171003
Aluminium

Grey 48171010
Aluminium



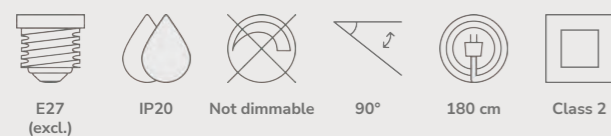
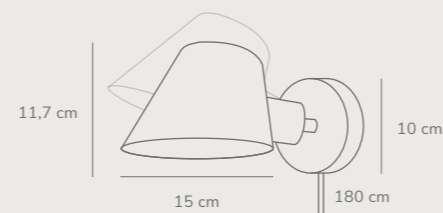
Measurements	Dimmable	Cable info	Switch	LED W	Lifespan	Masterbox
H: 44,5 cm, W: 22 cm, shade Ø: 14,5 cm, shade H: 9 cm, projection: 27 cm, tube Ø: 1,2 cm	Yes, has built-in dimmable light source with button or touch	Black/Grey Textile Replaceable	Touch on/off on the base	14,5W	20000 hours	Qty. 2

Stay Wall designed by Maria Berntsen



Black 2220381003
Aluminium

Grey 2220381010
Aluminium



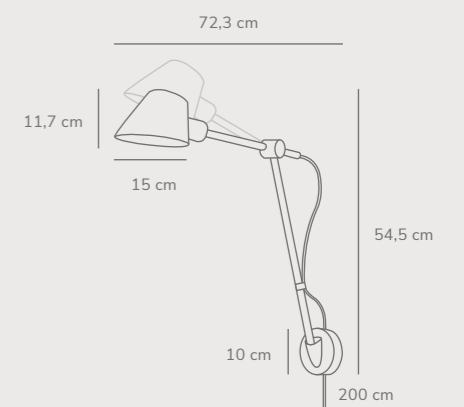
Measurements	Dimmable	Cable info	Switch	Max. W	Masterbox
H: 11,7 cm, W: 15 cm, L: 15 cm, shade Ø: 15 cm, shade H: 11,7 cm	No, cannot be dimmed	Black/Grey Textile Replaceable	On the fixture	60W	Qty. 3

Stay Wall designed by Maria Berntsen



Black 2020455003
Aluminium

Grey 2020455010
Aluminium



Measurements	Dimmable	Cable info	Switch	Max. W	Masterbox
H: 54,5 cm, shade Ø: 15 cm, shade H: 11,7 cm, projection: 72,3 cm, tube Ø: 1,57 cm, wall base: Ø10 cm	No, cannot be dimmed	Black/Grey Textile Replaceable	On the fixture	60W	Qty. 2

Stay Floor designed by Maria Berntsen

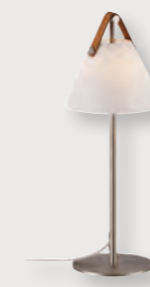


Black 2020464003 Aluminium
Grey 2020464010 Aluminium

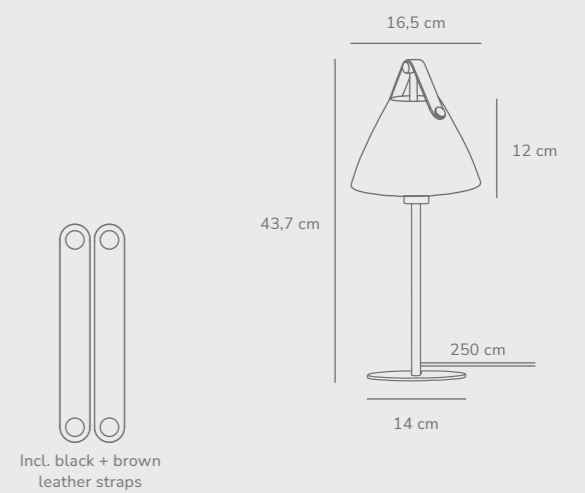


Measurements	Dimmable	Cable info	Switch	Max. W	Masterbox
H: 129,2 cm, shade Ø: 15 cm, shade H: 11,7 cm, projection: 58,7 cm, tube Ø: 1,57 cm	No, cannot be dimmed	Black/Grey Textile Not replaceable	On the fixture	60W	Qty. 1

Strap 16 Table G9 designed by Bjørn+Balle



Brushed steel 2020025001 Glass

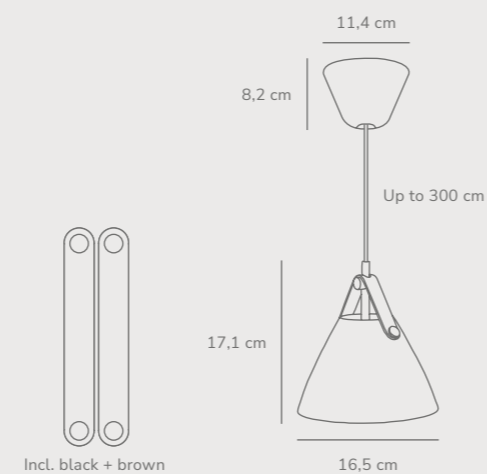


Measurements	Dimmable	Cable info	Switch	Max. W	Masterbox
H: 43,7 cm, W: 16,5 cm, L: 16,5 cm, shade Ø: 16,5 cm, shade H: 15,5 cm, tube Ø: 1,2 cm	No, cannot be dimmed	White Textile Not replaceable	On the cable	25W	Qty. 3

Strap 16 Pendant G9 designed by Bjørn+Balle



Opal white 2020013001 Glass

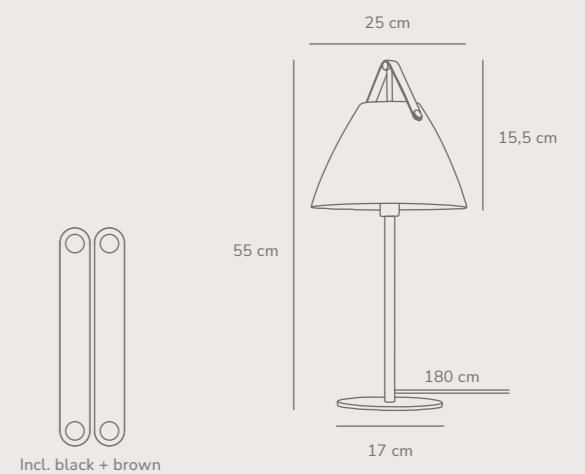


Measurements	Dimmable	Cable info	Canopy info	Max. W	Masterbox
H: 17,1 cm, W: 16,5 cm, L: 16,5 cm, shade Ø: 16,5 cm, shade H: 17,1 cm	Yes, can be dimmed by choosing a dimmable bulb	White Textile Not replaceable	White/Black Plastic 11,4 x 8,2 cm	40W	Qty. 3

Strap Table designed by Bjørn+Balle



White 46205001 Metal
Black 46205003 Metal

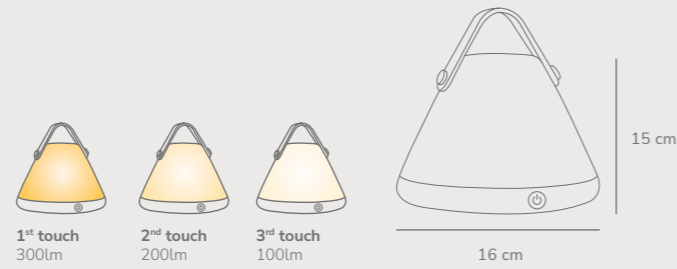


Measurements	Dimmable	Cable info	Switch	Max. W	Masterbox
H: 55 cm, shade Ø: 25 cm, shade H: 15,5 cm, tube Ø: 1,57 cm	No, cannot be dimmed	White/Black Textile Not replaceable	On the bulb base	40W	Qty. 3

Strap To Go Battery light designed by Bjørn+Balle



White/Black 46195001
Plastic



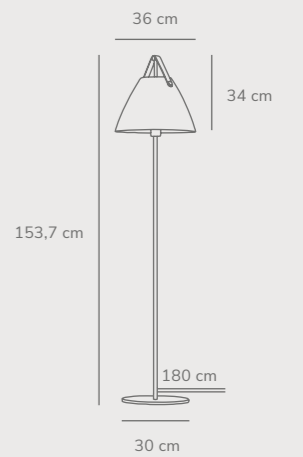
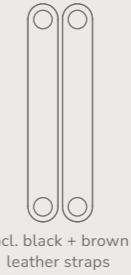
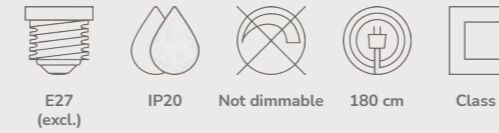
Measurements	Dimmable	Cable info	Switch	LED W	Lifespan	Masterbox
H: 15 cm, Ø: 16 cm	Yes, has built-in dimmable light source with Moodmaker™ functionality	Black Plastic Replaceable	On the base	2,5W	30000 hours	Qty. 3

Strap Floor designed by Bjørn+Balle



White 46234001
Metal

Black 46234003
Metal



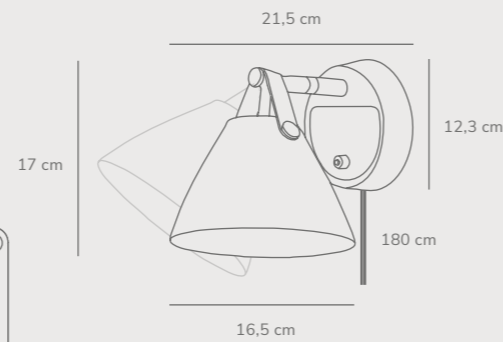
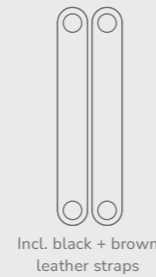
Measurements	Dimmable	Cable info	Switch	Max. W	Masterbox
H: 153,7 cm, shade Ø: 36 cm, shade H: 34 cm, tube Ø: 1,57 cm	No, cannot be dimmed	White/Black Textile Not replaceable	On the fixture	40W	Qty. 2

Strap 15 Wall designed by Bjørn+Balle



White 84291001
Metal

Black 84291003
Metal



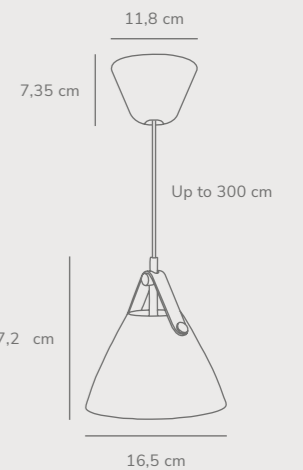
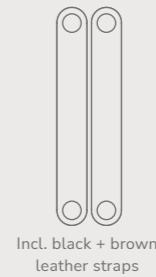
Measurements	Dimmable	Cable info	Switch	Max. W	Masterbox
H: 17 cm, shade Ø: 16,5 cm, shade H: 12,3 cm, projection: 21,5 cm, tube Ø: 1,6 cm, wall base: Ø 12,3 cm	No, cannot be dimmed	White/Black Plastic Replaceable	On the base	8W	Qty. 3

Strap 16 Pendant designed by Bjørn+Balle



White 84303001
Metal

Black 84303003
Metal



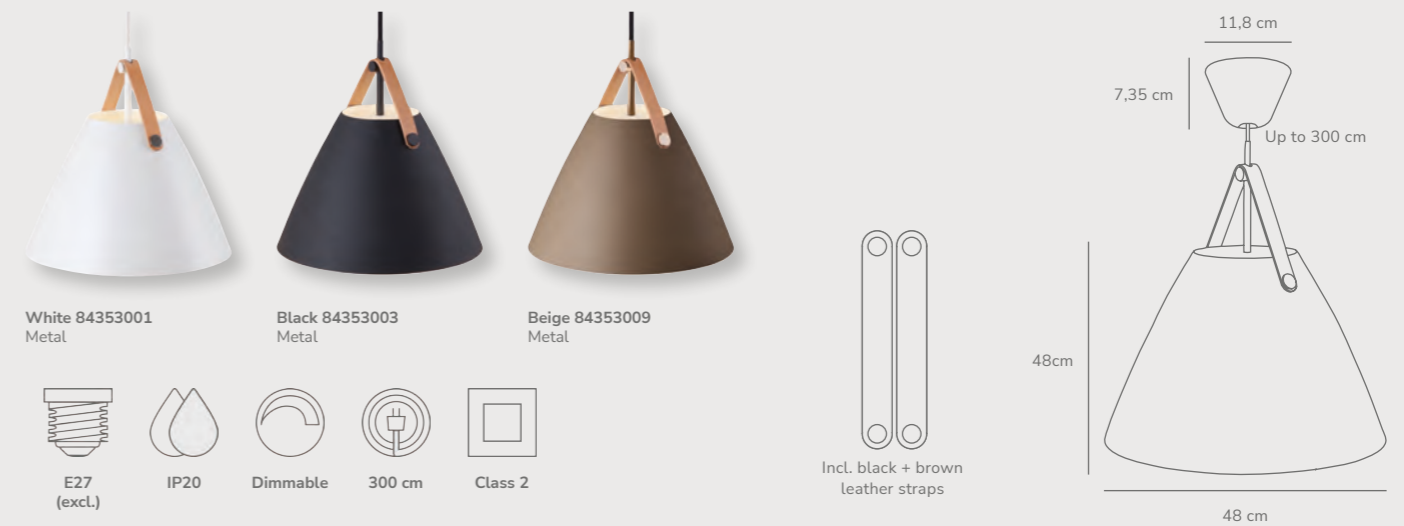
Measurements	Dimmable	Cable info	Canopy info	Max. W	Masterbox
H: 17 cm, shade Ø: 16,5 cm, shade H: 17,2 cm	Yes, can be dimmed by choosing a dimmable bulb	White/Black Textile Not replaceable	White/Black Plastic 11,8 cm x 7,35 cm	40W	Qty. 3

Strap 27 Pendant *designed by Bjørn+Balle*



Measurements	Dimmable	Cable info	Canopy info	Max. W	Masterbox
H: 27 cm, shade Ø: 27 cm	Yes, can be dimmed by choosing a dimmable bulb	White/Black Textile Not replaceable	White/Black Plastic 11,8 cm x 7,35 cm	40W	Qty. 3

Strap 48 Pendant *designed by Bjørn+Balle*



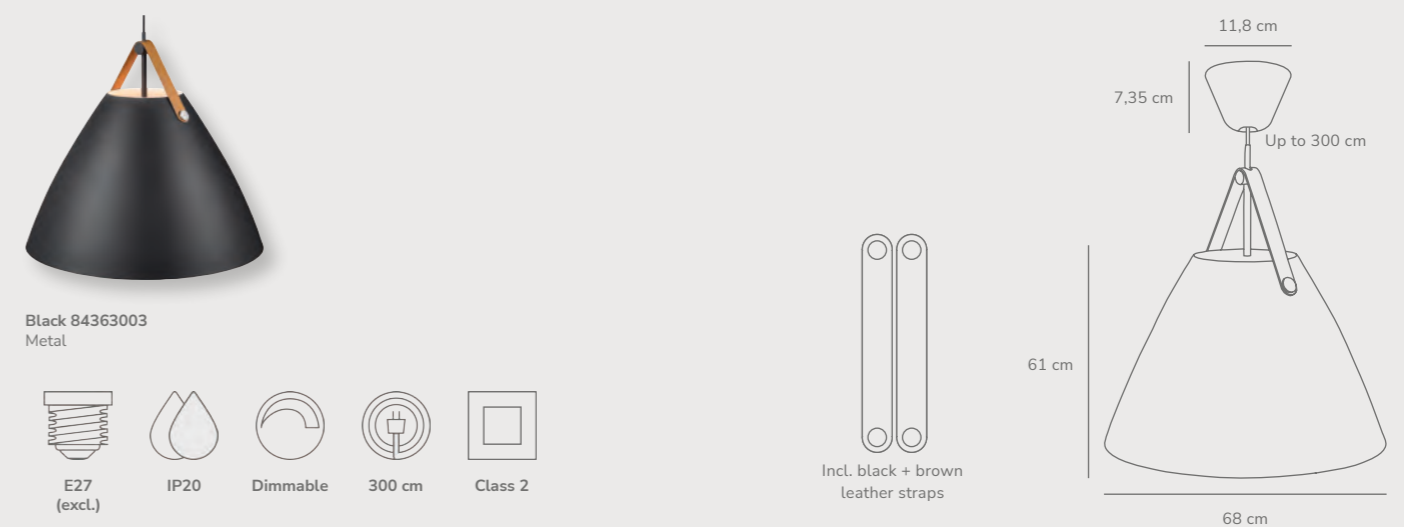
Measurements	Dimmable	Cable info	Canopy info	Max. W	Masterbox
H: 48 cm, shade Ø: 48 cm	Yes, can be dimmed by choosing a dimmable bulb	White/Black Textile Not replaceable	White/Black Plastic 11,8 cm x 7,35 cm	40W	Qty. 1

Strap 36 Pendant *designed by Bjørn+Balle*



Measurements	Dimmable	Cable info	Canopy info	Max. W	Masterbox
H: 37 cm, shade Ø: 36 cm	Yes, can be dimmed by choosing a dimmable bulb	White/Black Textile Not replaceable	White/Black Plastic 11,8 cm x 7,35 cm	40W	Qty. 2

Strap 68 Pendant *designed by Bjørn+Balle*



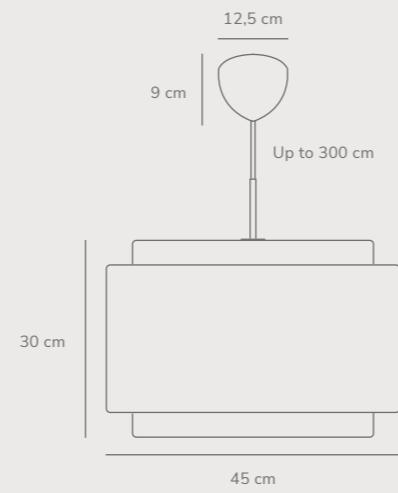
Measurements	Dimmable	Cable info	Canopy info	Max. W	Masterbox
H: 61 cm, Ø: 68 cm	Yes, can be dimmed by choosing a dimmable bulb	Black Textile Not replaceable	Black Plastic 11,8 cm x 7,35 cm	60W	Qty. 1

Takai Pendant designed by Sofie Lefèvre



NEW

Beige 2320403018
Textile



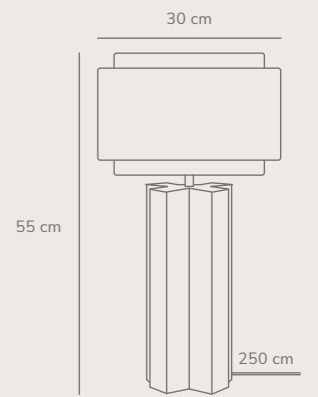
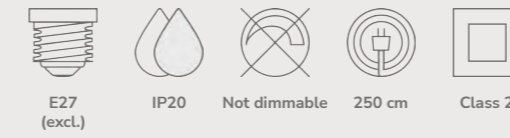
Measurements	Dimmable	Cable info	Canopy info	Max. W	Masterbox
H: 30 cm, W: 45 cm, L: 45 cm, shade Ø: 45 cm	Yes, can be dimmed by choosing a dimmable bulb	White Textile Not replaceable	White Metal 12,5 cm x 9 cm	25W	Qty. 2

Takai Table designed by Sofie Lefèvre



NEW

Beige 2320445018
Marble/Textile



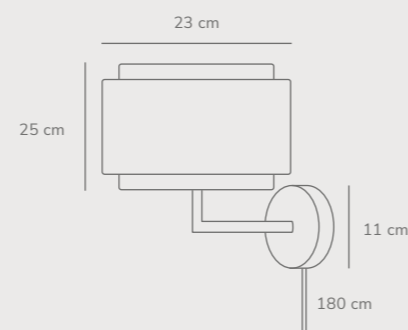
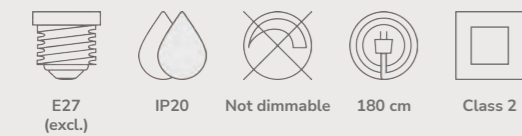
Measurements	Dimmable	Cable info	Switch	Max. W	Masterbox
H: 55 cm, W: 30 cm, L: 30 cm, shade Ø: 30 cm	No, cannot be dimmed	White Textile Not replaceable	On the fixture	25W	Qty. 2

Takai Wall designed by Sofie Lefèvre



NEW

Beige 2320421018
Textile



Measurements	Dimmable	Cable info	Switch	Max. W	Masterbox
H: 25 cm, W: 23 cm, L: 23 cm, shade Ø: 23 cm, tube Ø: 1,15 cm, wall base: 11 cm	No, cannot be dimmed	White Textile Replaceable	On the fixture	25W	Qty. 3

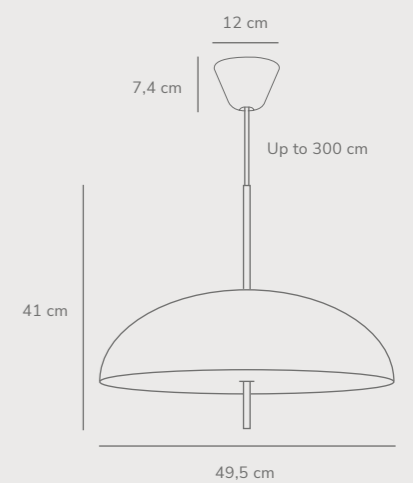
Versale Pendant designed by Anker Studio



White 2220053001
Metal

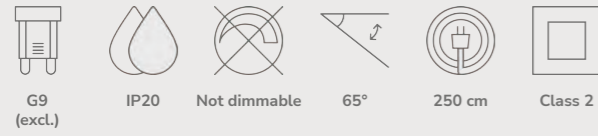
Black 2220053003
Metal

Brown 2220053009
Metal



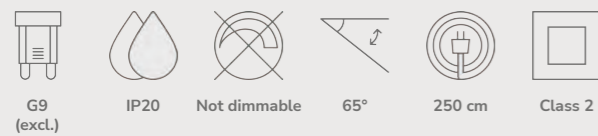
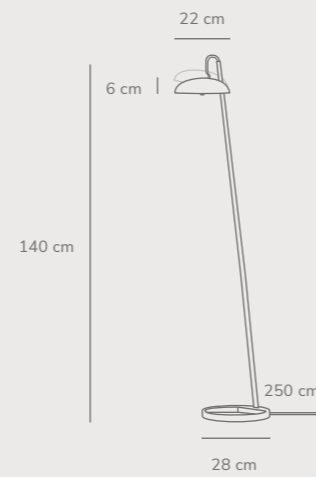
Measurements	Dimmable	Cable info	Canopy info	Max. W	Masterbox
H: 41 cm, W: 49,5 cm, L: 49,5 cm, shade Ø: 49,5 cm, shade H: 41 cm	Yes, can be dimmed by choosing a dimmable bulb	White/Black/Brown Textile Not replaceable	White/Black Plastic 12 cm x 7,4 cm	2x15W	Qty. 3

Versale Table designed by Anker Studio



Measurements	Dimmable	Cable info	Switch	Max. W	Masterbox
H: 45 cm, W: 22 cm, L: 22 cm, shade Ø: 22 cm, shade H: 6 cm, tube Ø: 1.25 cm	No, cannot be dimmed	White/Black Textile Not replaceable	On the cable	3x3W	Qty. 3

Versale Floor designed by Anker Studio



Measurements	Dimmable	Cable info	Switch	Max. W	Masterbox
H: 140 cm, W: 28 cm, L: 28 cm, shade Ø: 22 cm, shade H: 6 cm, tube Ø: 1.45 cm	No, cannot be dimmed	White/Black Textile Not replaceable	On the cable	3x3W	Qty. 2

Pendants



Artist 25 Pendant designed by Bønnelycke MDD



Black 83083003 Metal Grey 83083010 Metal Beige 83083009 Metal Copper 83083030 Metal

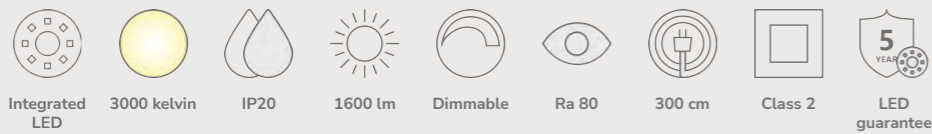


Measurements	Dimmable	Cable info	Canopy info	LED W	Lifespan	Masterbox
H: 6 cm, shade Ø: 25 cm, shade H: 6 cm	Yes, has built-in dimmable light source for wall dimmer	Black/Grey/Beige Textile Not replaceable	Black/Grey/White Plastic 11,4 cm x 8,2 cm	14W	30000 hours	Qty. 2

Artist 40 Pendant designed by Bønnelycke MDD



Black 83093003 Metal Grey 83093010 Metal Beige 83093009 Metal Copper 83093030 Metal

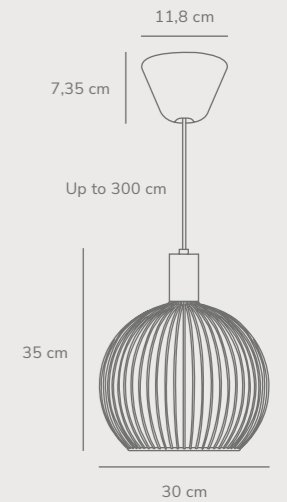


Measurements	Dimmable	Cable info	Canopy info	LED W	Lifespan	Masterbox
H: 6 cm, shade Ø: 40 cm, shade H: 6 cm	Yes, has built-in dimmable light source for wall dimmer	Black/Grey/Beige Textile Not replaceable	Black/Grey/White Plastic 11,4 cm x 8,2 cm	24W	30000 hours	Qty. 1

Aver 30 Pendant designed by Carlo Volf



Black 84243003 Metal

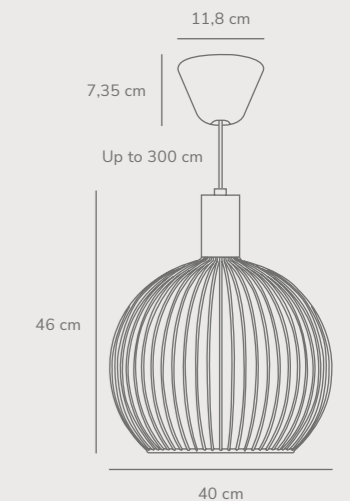


Measurements	Dimmable	Cable info	Canopy info	Max. W	Masterbox
H: 35 cm, shade Ø: 30 cm, shade H: 35 cm	Yes, can be dimmed by choosing a dimmable bulb	Black Textile Not replaceable	Black Plastic 11,8 cm x 7,35 cm	60W	Qty. 2

Aver 40 Pendant designed by Carlo Volf



Black 84253003 Metal

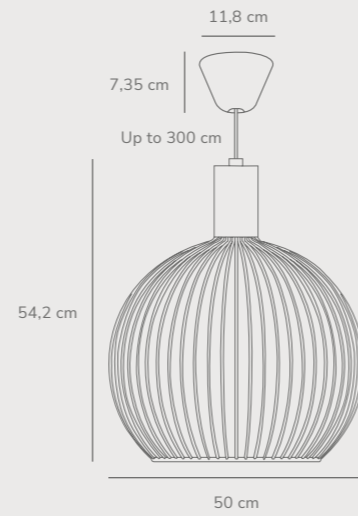
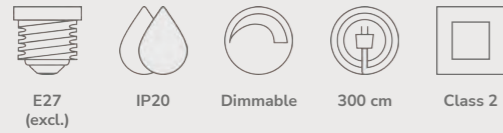


Measurements	Dimmable	Cable info	Canopy info	Max. W	Masterbox
H: 46 cm, shade Ø: 40 cm	Yes, can be dimmed by choosing a dimmable bulb	Black Textile Not replaceable	Black Plastic 11,8 cm x 7,35 cm	60W	Qty. 1

Aver 50 Pendant designed by Carlo Volf



Black 84263003
Metal

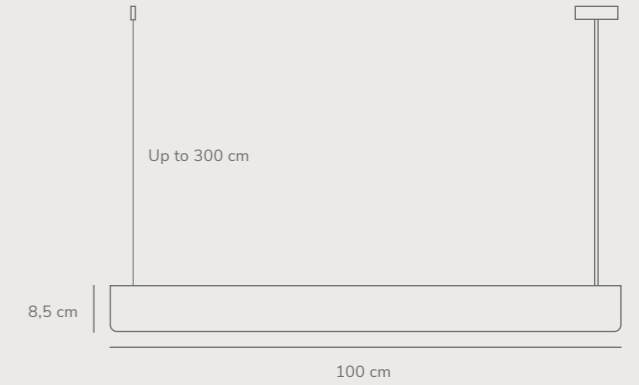
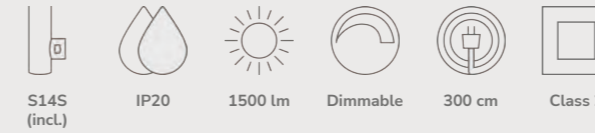


Measurements	Dimmable	Cable info	Canopy info	Max. W	Masterbox
H: 54,2 cm, shade Ø: 50 cm	Yes, can be dimmed by choosing a dimmable bulb	Black Textile Not replaceable	Black Plastic 11,8 cm x 7,35 cm	60W	Qty. 1

Beau 100 Pendant designed by Sofie Lefèvre



Black 2220483003
Metal

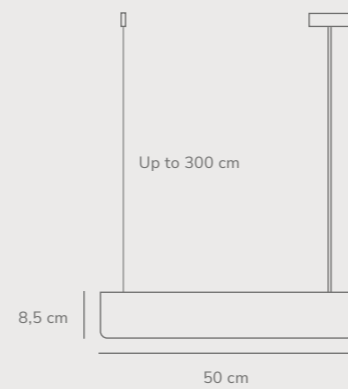


Measurements	Dimmable	Cable info	Max. W	Masterbox
H: 8,5 cm, W: 100 cm, L: 100 cm	Yes, can be dimmed by choosing a dimmable bulb	Black Textile Not replaceable	15W	Qty. 3

Beau 50 Pendant designed by Sofie Lefèvre



Black 2220473003
Metal

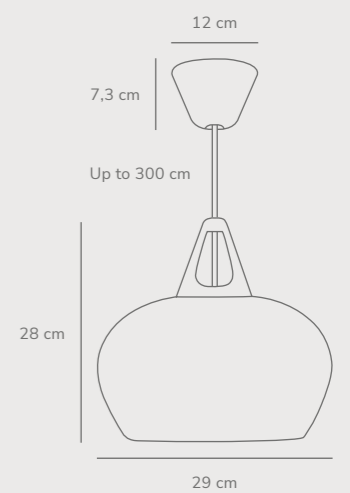


Measurements	Dimmable	Cable info	Max. W	Masterbox
H: 8,5 cm, W: 50 cm, L: 50 cm	Yes, can be dimmed by choosing a dimmable bulb	Black Textile Not replaceable	8W	Qty. 3

Belly 29 Pendant designed by Bønnelycke MDD



Black 45053003
Metal



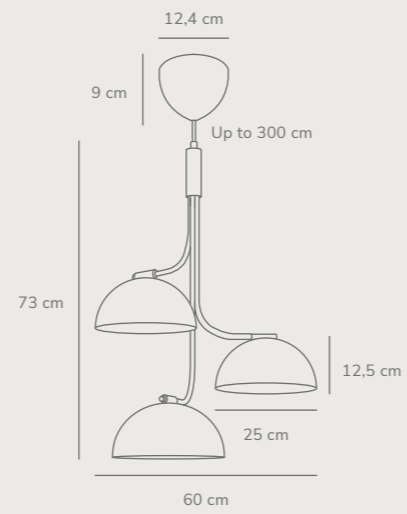
Measurements	Dimmable	Cable info	Canopy info	Max. W	Masterbox
H: 28 cm, shade Ø: 29 cm	Yes, can be dimmed by choosing a dimmable bulb	Black Textile Not replaceable	Black Plastic 12 cm x 7,3 cm	60W	Qty. 2

Tullio Pendant designed by Anker Studio



White 2220033001
Metal

Black 2220033003
Metal



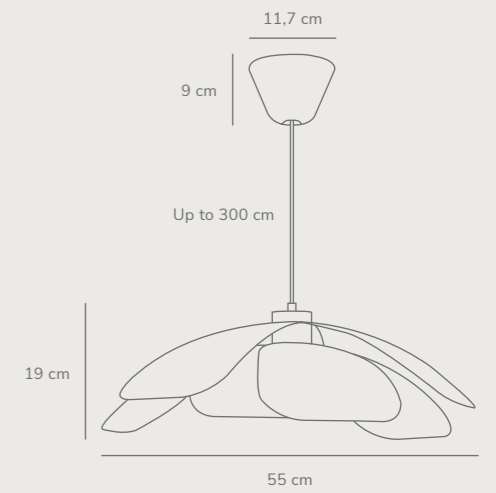
Measurements	Dimmable	Cable info	Canopy info	Max. W	Masterbox
H: 73 cm, W: 60 cm, L: 60 cm, shade Ø: 25 cm, shade H: 12,5 cm, tube Ø: 1,3 cm	Yes, can be dimmed by choosing a dimmable bulb	White/Black Textile Not replaceable	White/Black Metal 12,4 x 9 cm	3x25W	Qty. 1

Maple 55 Pendant designed by Charlotte Høncke Design



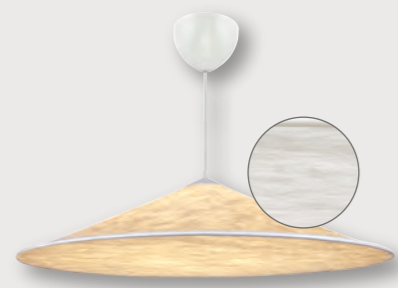
Black 2220293003
Metal

Brown 2220293009
Metal

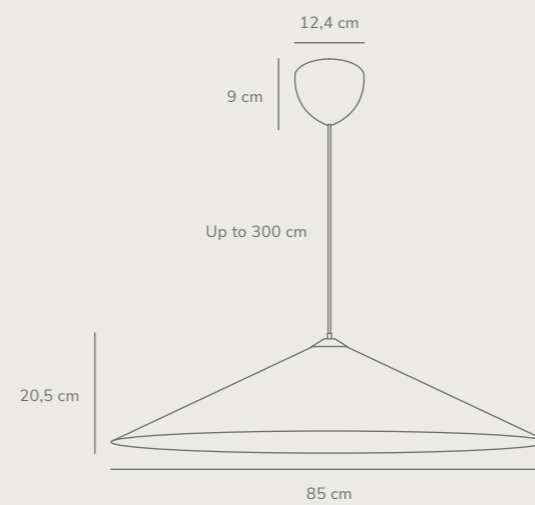
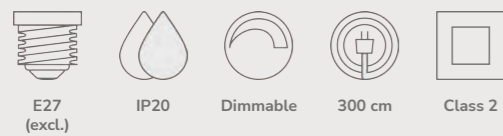


Measurements	Dimmable	Cable info	Canopy info	Max. W	Masterbox
H: 19 cm, W: 55 cm, L: 55 cm, shade Ø: 55 cm	Yes, can be dimmed by choosing a dimmable bulb	White/Black Textile Not replaceable	White Plastic 11,7 x 9 cm	40W	Qty. 3

Hill Pendant designed by Asger Risborg



White 2220103060
Tyvek

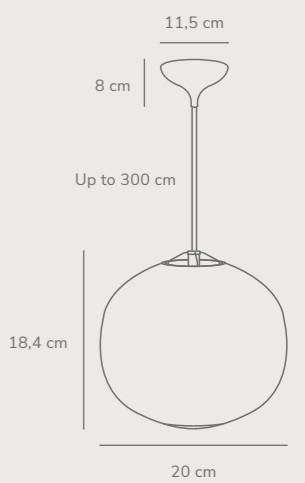


Measurements	Dimmable	Cable info	Canopy info	Max. W	Masterbox
H: 20,5 cm, W: 85 cm, L: 85 cm, shade Ø: 85 cm	Yes, can be dimmed by choosing a dimmable bulb	White Textile Not replaceable	White Plastic 12,4 cm x 9 cm	3x25W	Qty. 3

Navone 20 Pendant designed by Sofie Lefèvre



White 2220433001
Glass



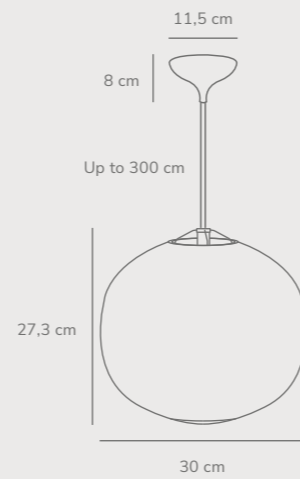
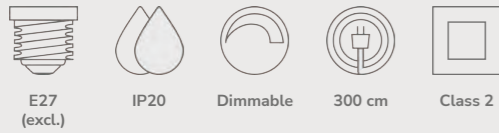
Measurements	Dimmable	Cable info	Canopy info	Max. W	Masterbox
H: 17 cm, W: 20 cm, L: 20 cm, shade Ø: 20 cm, shade H: 18,4 cm	Yes, can be dimmed by choosing a dimmable bulb	White Textile Not replaceable	White Plastic 11,5 cm x 8 cm	40W	Qty. 3

Navone 30 Pendant designed by Sofie Lefèvre



NEW

White 2220443001
Glass



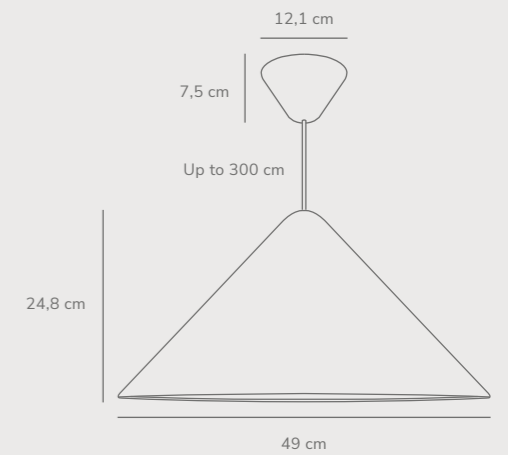
Measurements	Dimmable	Cable info	Canopy info	Max. W	Masterbox
H: 27,3 cm, W: 30 cm, L: 30 cm, shade Ø: 30 cm	Yes, can be dimmed by choosing a dimmable bulb	White Textile Not replaceable	White Plastic 11,5 cm x 8 cm	40W	Qty. 2

Nono 49 Pendant designed by Bønnelycke MDD



White 2120523001
Metal

Black 2120523003
Metal



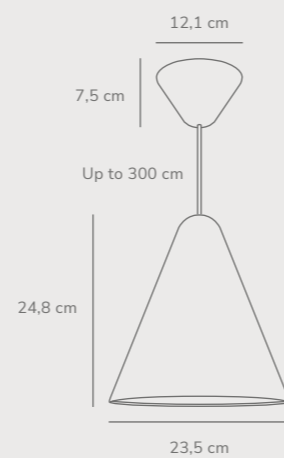
Measurements	Dimmable	Cable info	Canopy info	Max. W	Masterbox
H: 24,8 cm, W: 49 cm, L: 49 cm, shade Ø: 49 cm	Yes, can be dimmed by choosing a dimmable bulb	White/Black Textile Not replaceable	White/Black Plastic 12,1 cm x 7,5 cm	50W	Qty. 3

Nono 23,5 Pendant designed by Bønnelycke MDD



White 2120503001
Metal

Black 2120503003
Metal

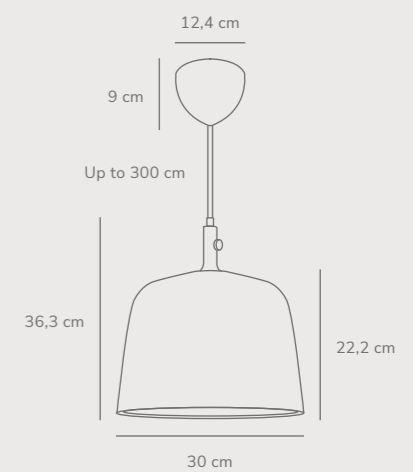


Measurements	Dimmable	Cable info	Canopy info	Max. W	Masterbox
H: 24,8 cm, W: 23,5 cm, L: 23,5 cm, shade Ø: 23,5 cm	Yes, can be dimmed by choosing a dimmable bulb	White/Black Textile Not replaceable	White/Black Plastic 12,1 cm x 7,5 cm	40W	Qty. 3

Norbi 30 Pendant designed by Bjørn+Balle



Black 2220123003
Metal

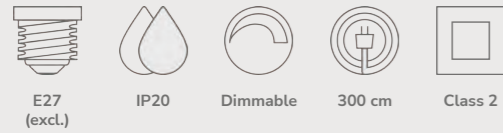
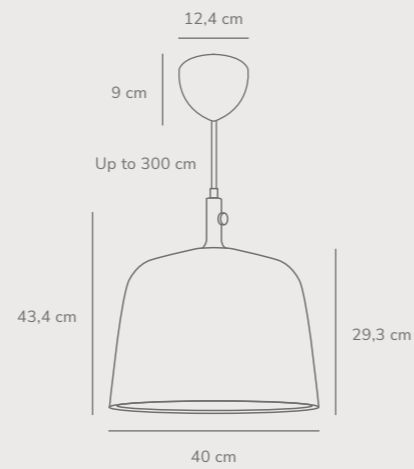


Measurements	Dimmable	Cable info	Canopy info	Max. W	Masterbox
H: 36,3 cm, W: 30 cm, L: 30 cm, shade Ø: 30 cm, shade H: 22,2 cm	Yes, can be dimmed by choosing a dimmable bulb	Black Textile Not replaceable	Black Plastic 12,4 x 9 cm	60W	Qty. 2

Norbi 40 Pendant designed by Bjørn+Balle



Black 2220133003
Metal



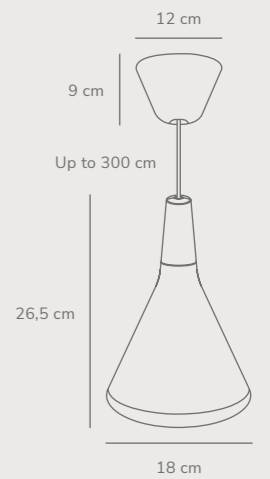
Measurements	Dimmable	Cable info	Canopy info	Max. W	Masterbox
H: 43,4 cm, W: 40 cm, L: 40 cm, shade Ø: 40 cm, shade H: 29,3 cm	Yes, can be dimmed by choosing a dimmable bulb	Black Textile Not replaceable	Black Plastic 12,4 x 9 cm	60W	Qty. 2

Nori 18 Pendant designed by Bjørn+Balle



White 2120843001
Glass/Wood

Smoked 2120843047
Glass/Wood



Measurements	Dimmable	Cable info	Canopy info	Max. W	Masterbox
H: 26,5 cm, W: 18 cm, L: 18 cm, shade Ø: 18 cm, shade H: 26,5 cm	Yes, can be dimmed by choosing a dimmable bulb	White/Black Textile Not replaceable	White/Black Plastic 12 cm x 9 cm	60W	Qty. 3

Nori 18 Pendant designed by Bjørn+Balle

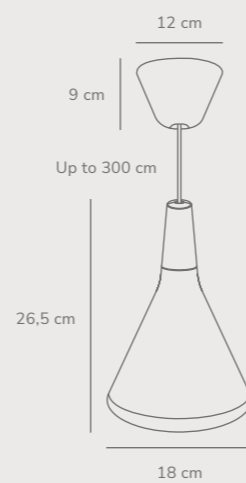


White 2120803001
Metal/Wood

Black 2120803003
Metal/Wood

Copper 2120803030
Metal/Wood

Brushed steel 2120803032
Metal/Wood



Measurements	Dimmable	Cable info	Canopy info	Max. W	Masterbox
H: 26,5 cm, W: 18 cm, L: 18 cm, shade Ø: 18 cm, shade H: 26,5 cm, Ø: 18 cm	Yes, can be dimmed by choosing a dimmable bulb	White/Black Textile Not replaceable	White/Black Plastic 12 cm x 9 cm	60W	Qty. 3

Nori 27 Pendant designed by Bjørn+Balle

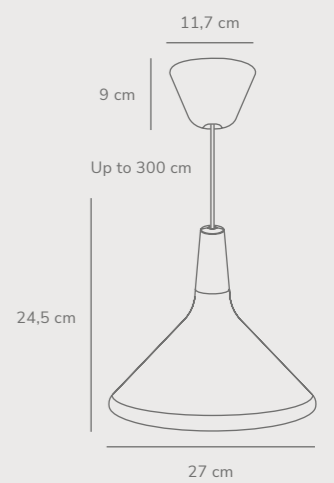


White 2120813001
Metal/Wood

Black 2120813003
Metal/Wood

Copper 2120813030
Metal/Wood

Brushed steel 2120813032
Metal/Wood



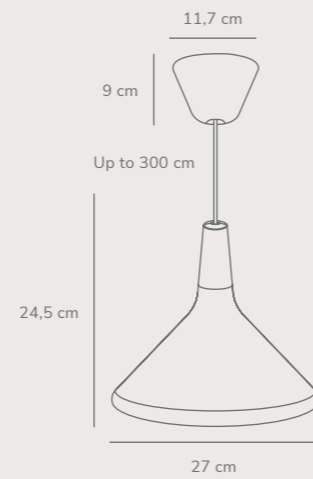
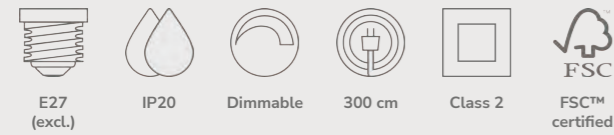
Measurements	Dimmable	Cable info	Canopy info	Max. W	Masterbox
H: 24,5 cm, W: 27 cm, L: 27 cm, shade Ø: 27 cm, shade H: 24,5 cm	Yes, can be dimmed by choosing a dimmable bulb	White/Black Textile Not replaceable	White/Black Plastic 11,7 cm x 9 cm	40W	Qty. 3

Nori 27 Pendant designed by Bjørn+Balle



White 2120853001
Glass/Wood

Smoked 2120853047
Glass/Wood



Measurements	Dimmable	Cable info	Canopy info	Max. W	Masterbox
H: 24,5 cm, W: 27 cm, L: 27 cm, shade H: 24,5 cm, Ø: 27 cm	Yes, can be dimmed by choosing a dimmable bulb	White/Black Textile Not replaceable	White/Black Plastic 11,7 cm x 9 cm	40W	Qty. 3

Nori 39 Pendant designed by Bjørn+Balle

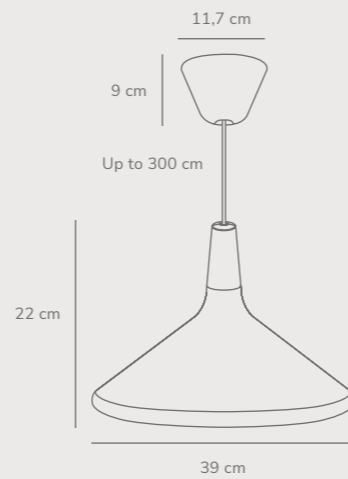


White 2120823001
Metal/Wood

Black 2120823003
Metal/Wood

Copper 2120823030
Metal/Wood

Brushed steel 2120823032
Metal/Wood



Measurements	Dimmable	Cable info	Canopy info	Max. W	Masterbox
H: 22 cm, W: 39 cm, L: 39 cm, shade Ø: 39 cm, shade H: 22 cm, Ø: 39 cm	Yes, can be dimmed by choosing a dimmable bulb	White/Black Textile Not replaceable	White/Black Plastic 11,7 cm x 9 cm	40W	Qty. 2

Table lamps



Arcello Table designed by Bjørn+Balle



Burnished brass 2220155061
Metal/Plastic

Anthracite 2220155050
Metal/Plastic

1st click on
300lm

2nd click on
200lm

3rd click on
100lm



Integrated LED

2700 kelvin

IP54

300 lm

Moodmaker

Ra 80

100 cm

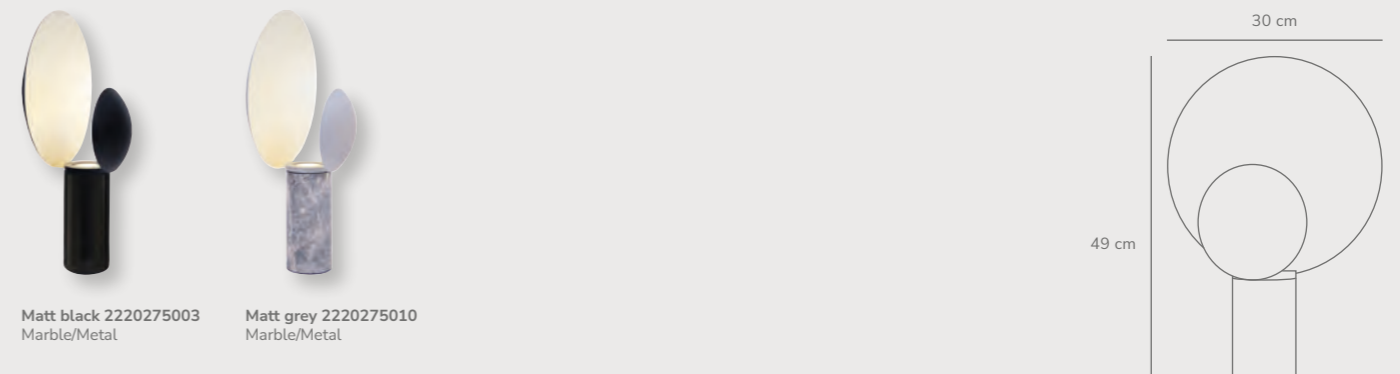
Class 3

USB charging

LED guarantee

Measurements	Dimmable	Cable info	Switch	LED W	Lifespan	Masterbox
H: 25 cm, W: 14 cm, L: 14 cm, shade Ø: 14 cm	3-step Moodmaker™ 300 lm - 200 lm - 100 lm	Black Plastic Replaceable	Under the base	2,8W	15000 hours	Qty. 3

Caché Table designed by Charlotte Høncke Design



Matt black 2220275003
Marble/Metal

Matt grey 2220275010
Marble/Metal



GU10 (excl.)

IP20

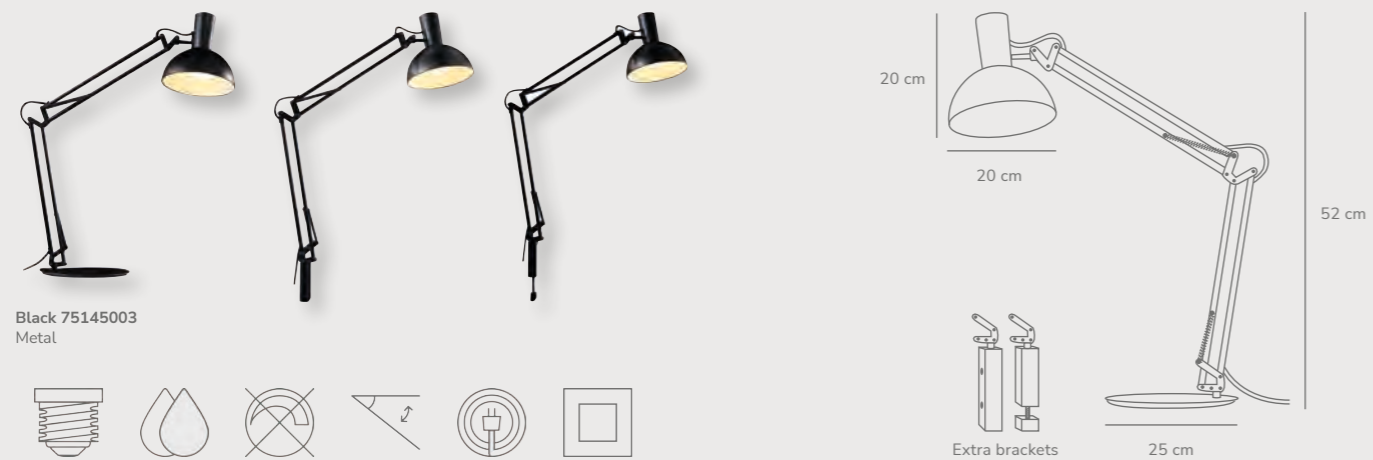
Not dimmable

250 cm

Class 2

Measurements	Dimmable	Cable info	Switch	Max. W	Masterbox
H: 49 cm, W: 30 cm, L: 30 cm, shade Ø: 30 cm, shade H: 30 cm	No, cannot be dimmed	White/Black Textile Not replaceable	On the cable	40W	Qty. 2

Arki Table designed by Bønnelycke MDD



Black 75145003
Metal



Extra brackets

E27 (excl.)

IP20

Not dimmable

120°

180 cm

Class 2

Measurements	Dimmable	Cable info	Switch	Max. W	Masterbox
H: 52 cm, shade Ø: 20 cm, shade H: 20 cm	No, cannot be dimmed	Black Plastic Not replaceable	On the fixture	60W	Qty. 2

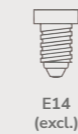
Hello Table designed by Charlotte Høncke Design



Black 2220215003
Metal

Brown 2220215009
Metal

Grey 2220215010
Metal



E14 (excl.)

IP20

Not dimmable

250 cm

Class 2

Turnable 360°

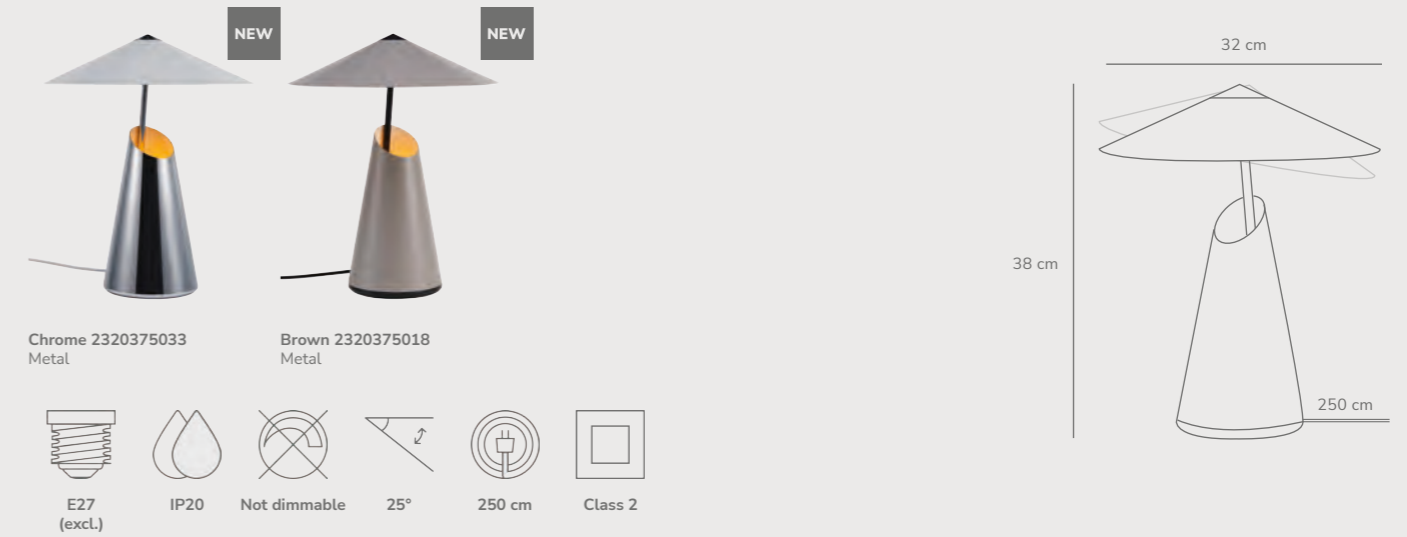
Measurements	Dimmable	Cable info	Switch	Max. W	Masterbox
H: 42 cm, W: 24,3 cm, shade Ø: 30 cm	No, cannot be dimmed	White/Black/Grey Textile Not replaceable	On the cable	25W	Qty. 2

Mademoiselles Table designed by Sofie Lefèvre



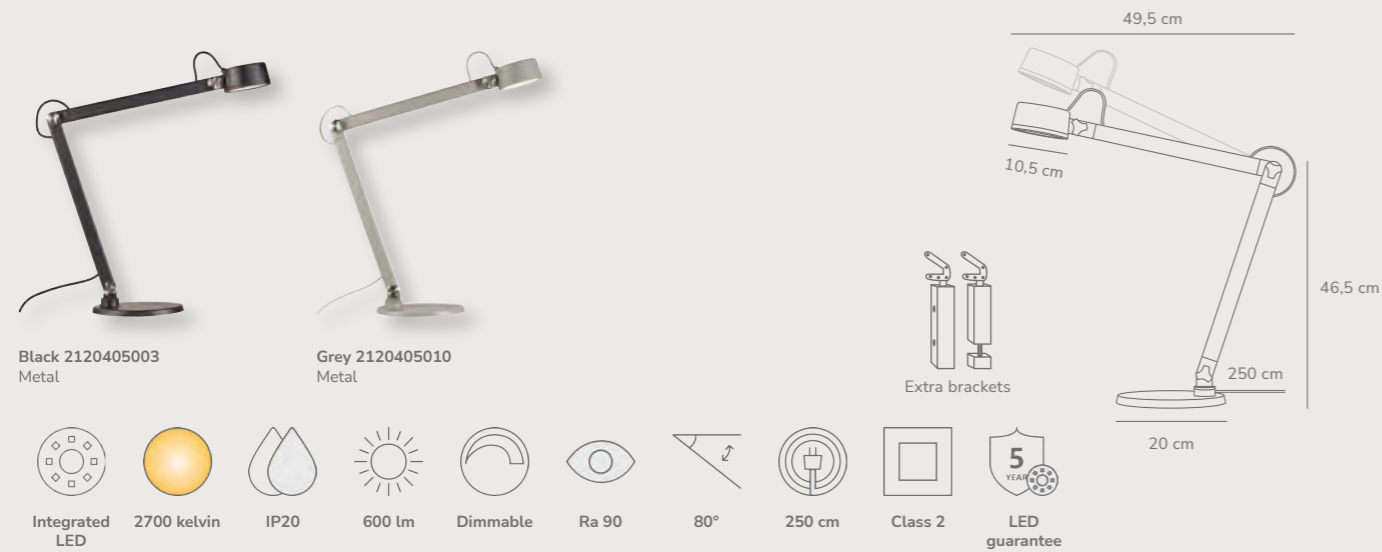
Measurements	Dimmable	Cable info	Switch	Canopy info	Max. W	Masterbox
H: 41,7 cm, W: 32 cm, L: 32 cm, shade Ø: 32 cm, shade H: 7 cm, tube Ø: 1,15 cm, D: 32 cm	No, cannot be dimmed	White/Black Textile Not replaceable	On the base	-	15W	Qty. 2

Taido Table designed by Anker Studio

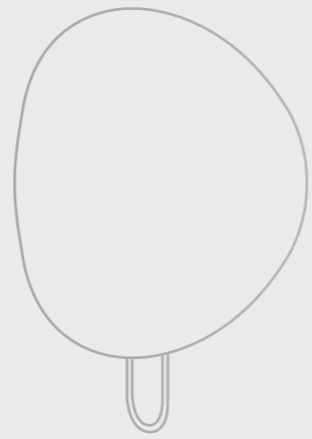


Measurements	Dimmable	Cable info	Switch	Max. W	Masterbox
H: 38 cm, W: 32 cm, L: 32 cm, shade Ø: 32 cm, tube Ø: 1 cm, Ø: 32 cm	No, cannot be dimmed	Black Textile Not replaceable	On the cable	25W	Qty. 3

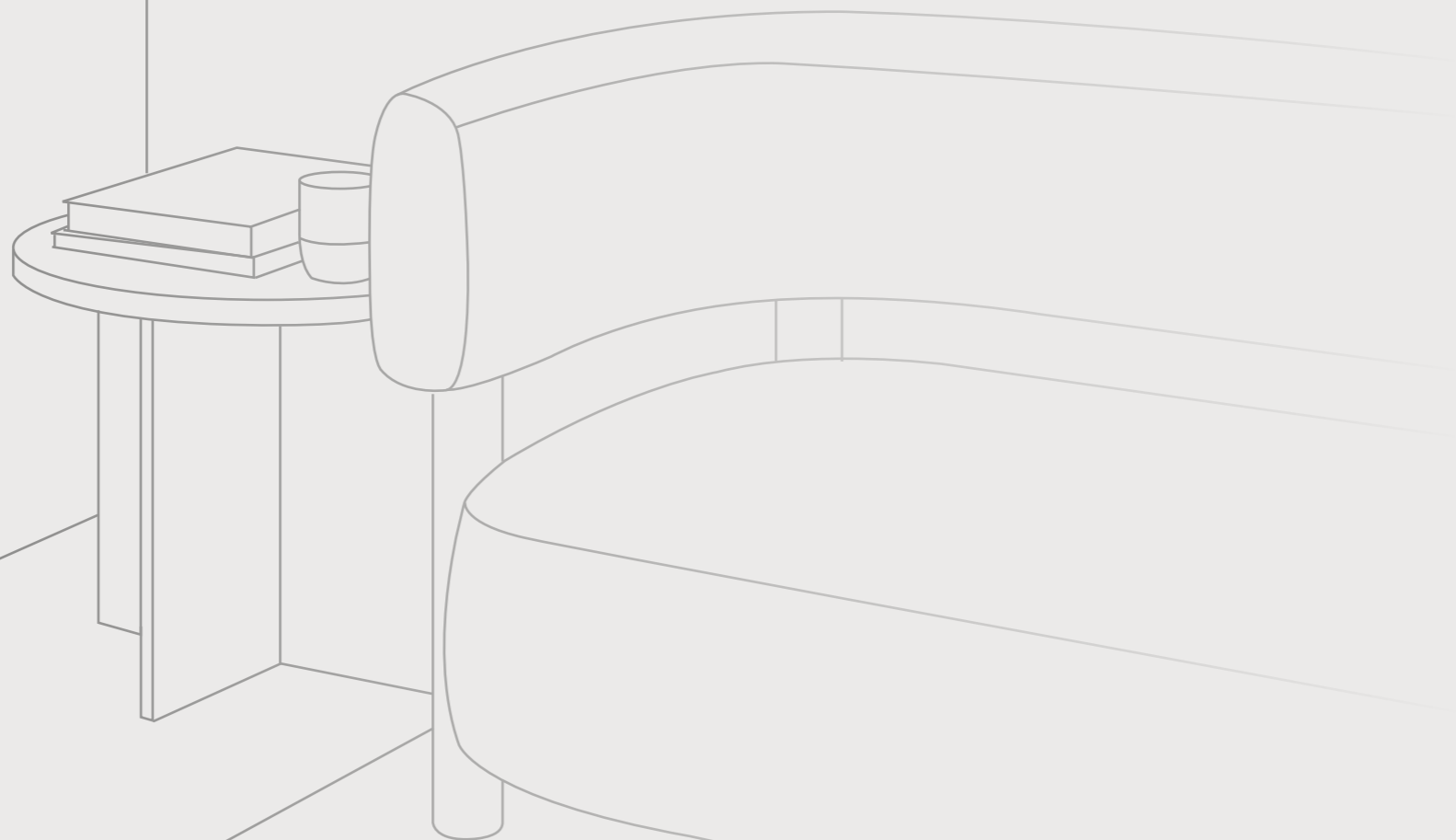
Nobu Table designed by Bønnelycke MDD



Measurements	Dimmable	Cable info	Switch	LED W	Lifespan	Masterbox
H: 46,5 cm, W: 10,5 cm, L: 49,5 cm, shade Ø: 10,5 cm, shade H: 5 cm, tube Ø: 3 cm	Yes, has built-in dimmable light source with button or touch	Black/Grey Textile Not replaceable	On the fixture	6W	30000 hours	Qty. 2



Wall lamps

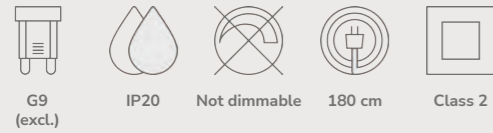
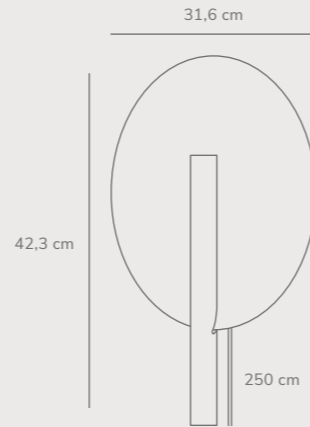


Furiko Wall designed by Anker Studio



Black 2320241003
Metal

Brushed Brass 2320241035
Metal



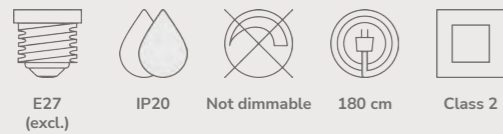
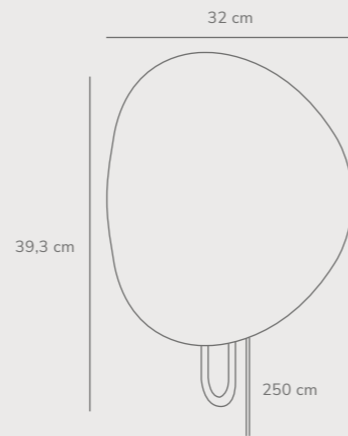
Measurements	Dimmable	Cable info	Switch	Max. W	Masterbox
H: 42,3 cm, W: 31,6 cm, L: 31,6 cm, shade Ø: 31,6 cm	No, cannot be dimmed	White Textile Not replaceable	On the cable	6W	Qty. 3

Spargo Wall designed by Anker Studio



White/Brass 2320361001
Metal

Black/Brass 2320361003
Metal

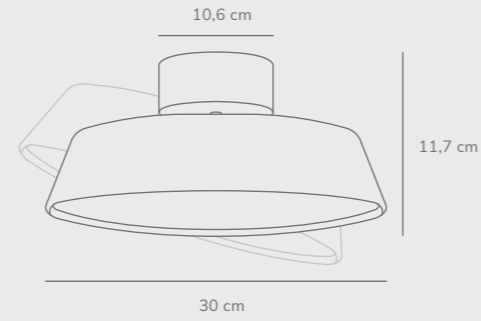
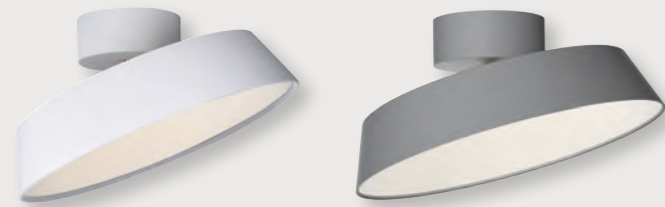


Measurements	Dimmable	Cable info	Switch	Max. W	Masterbox
H: 39,3 cm, W: 32 cm, L: 32 cm, shade Ø: 32 cm	No, cannot be dimmed	White/Black Textile Replaceable	On the cable	25W	Qty. 3



Ceiling lamps

Kaito Dim Ceiling designed by Bønnelycke MDD



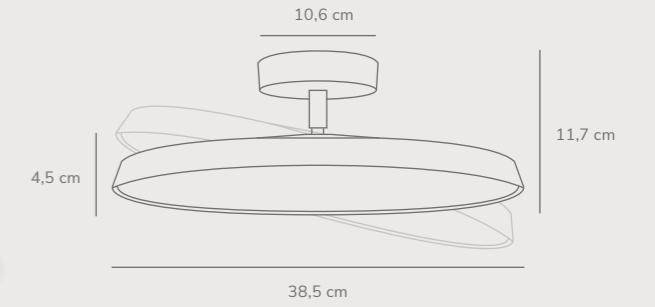
White 2220506001
Metal

Grey 2220506010
Metal



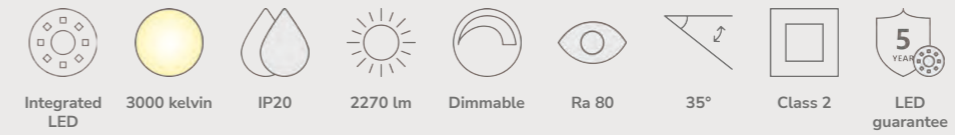
Measurements	Dimmable	Canopy info	LED W	Lifespan	Masterbox
H: 11,7 cm, W: 30 cm, L: 30 cm, shade Ø: 30 cm	Yes, has built-in dimmable light source for wall dimmer	White/Grey Metal 10,6 x 2,5 cm	13W	30000 hours	Qty. 3

Kaito Pro 40 Ceiling designed by Bønnelycke MDD



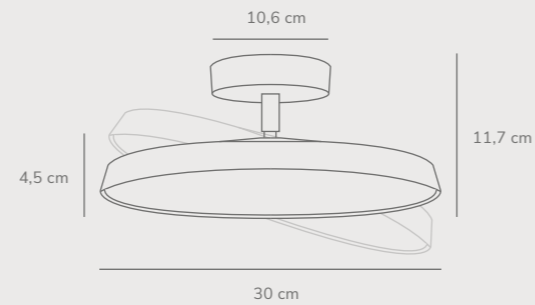
White 2220526001
Metal

Black 2220526003
Metal



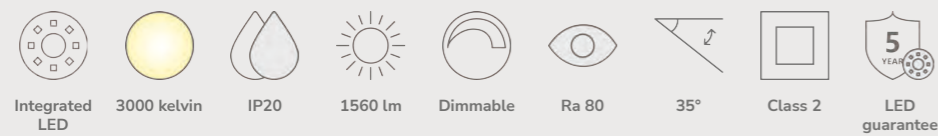
Measurements	Dimmable	Canopy info	LED W	Lifespan	Masterbox
H: 11,7 cm, W: 38,5 cm, L: 38,5 cm, shade Ø: 38,5 cm, shade H: 4,5 cm	Yes, has built-in dimmable light source for wall dimmer	White/Black Metal 10,6 x 2,5 cm	26W	30000 hours	Qty. 3

Kaito Pro 30 Ceiling designed by Bønnelycke MDD



White 2220516001
Metal

Black 2220516003
Metal



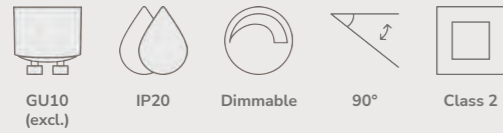
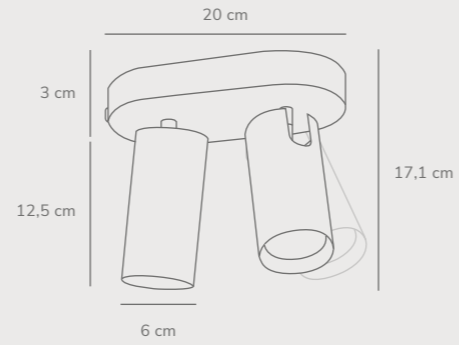
Measurements	Dimmable	Canopy info	LED W	Lifespan	Masterbox
H: 11,7 cm, W: 30 cm, L: 30 cm, shade Ø: 30 cm, shade H: 4,5 cm	Yes, has built-in dimmable light source for wall dimmer	White/Black Metal 10,6 x 2,5 cm	18W	30000 hours	Qty. 3

Mimi 2-Spot Ceiling designed by Bønnelycke MDD



White 2120456001
Metal

Black 2120456003
Metal



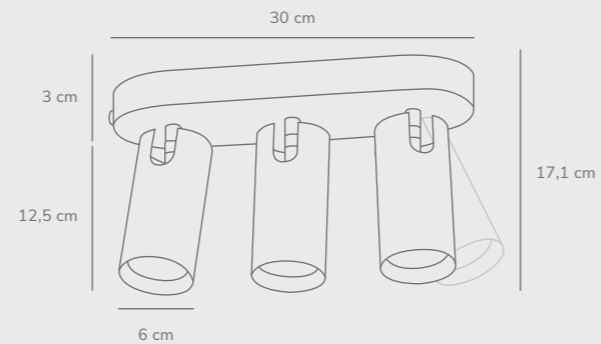
Measurements	Dimmable	Canopy info	Max. W	Masterbox
H: 17,1 cm, W: 20 cm, shade Ø: 6 cm, shade H: 12,5 cm, projection: 10 cm	Yes, can be dimmed by choosing a dimmable bulb	White/Black Aluminium 20 x 3 cm	25W	Qty. 3

Mimi 3-Spot Ceiling designed by Bønnelycke MDD



White 2120476001
Metal

Black 2120476003
Metal



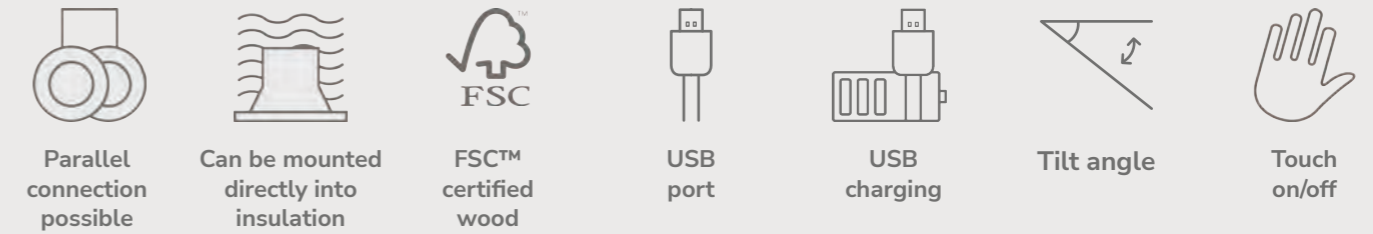
Measurements	Dimmable	Canopy info	Max. W	Masterbox
H: 17,1 cm, W: 30 cm, shade Ø: 6 cm, shade H: 12,5 cm, projection: 10 cm	Yes, can be dimmed by choosing a dimmable bulb	White/Black Aluminium 30 x 3 cm	25W	Qty. 3

Icon index

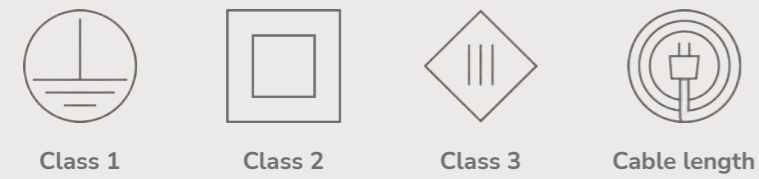
Bulb info



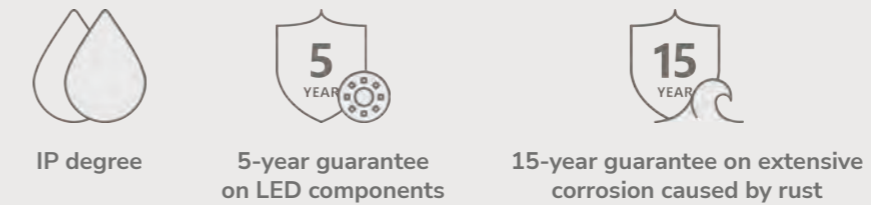
Extra features



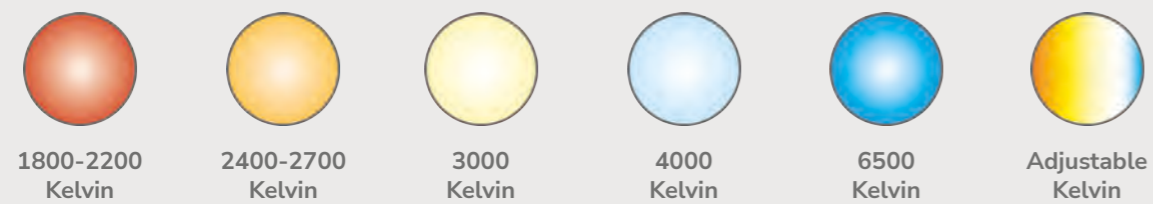
Cable info



Degree & guarantee



Light source info



Product index



<i>Model</i>	<i>Item number</i>	<i>Material</i>	<i>Color</i>	<i>EAN</i>	<i>Switch</i>	<i>Page</i>
Align Table	2120095001	Metal	White	5704924004117	On the cable	74
Align Table	2120095003	Metal	Black	5704924004124	On the cable	74
Align Table	2120095009	Metal	Beige	5704924013683	On the cable	74
Align Table	2120095010	Metal	Grey	5704924004131	On the cable	74
Align Table	2120095018	Metal	Brown	5704924013676	On the cable	74
Align Table	2120095023	Metal	Green	5704924013690	On the cable	74
Align Table	2120095033	Metal	Chrome	5704924013669	On the cable	74
Align Table	2120095057	Metal	Rose	5704924013706	On the cable	74
Align Pendant	2320053001	Metal	White	5704924014284	-	75
Align Pendant	2320053003	Metal	Black	5704924014291	-	75
Angle E27 Pendant	2020673001	Metal	White/Telegrey	5704924003028	-	75
Angle E27 Pendant	2020673003	Metal	Black	5704924003035	-	75
Angle E27 Pendant	2020673011	Metal	Grey	5704924003042	-	75
Angle GU10 Wall	2120601001	Metal	White/Telegrey	5704924004162	On the fixture	76
Angle GU10 Wall	2120601003	Metal	Black	5704924004155	On the fixture	76
Angle GU10 Wall	2120601010	Metal	Grey	5704924004148	On the fixture	76
Angle Clamp lamp	2220362001	Metal	White/Telegrey	5704924010200	On the cable	76
Angle Clamp lamp	2220362003	Metal	Black	5704924010217	On the cable	76
Angle Clamp lamp	2220362010	Metal	Grey	5704924010002	On the cable	76
Arcello Table	2220155050	Metal	Anthracite	5704924010187	Under the base	124
Arcello Table	2220155061	Metal	Burnished brass	5704924010040	Under the base	124
Arki Table	75145003	Metal	Black	5701581279872	On the fixture	124
Artist 25 Pendant	83083003	Metal	Black	5701581345485	-	110
Artist 25 Pendant	83083009	Metal	Beige	5704924002458	-	110
Artist 25 Pendant	83083010	Metal	Grey	5701581301085	-	110
Artist 25 Pendant	83083030	Metal	Copper	5701581301184	-	110
Artist 40 Pendant	83093003	Metal	Black	5701581345584	-	110
Artist 40 Pendant	83093009	Metal	Beige	5704924002465	-	110
Artist 40 Pendant	83093010	Metal	Grey	5701581301283	-	110
Artist 40 Pendant	83093030	Metal	Copper	5701581301382	-	110
Aver 30 Pendant	84243003	Metal	Black	5701581337183	-	111
Aver 40 Pendant	84253003	Metal	Black	5701581337282	-	111
Aver 50 Pendant	84263003	Metal	Black	5701581337381	-	112
Beau 50 Pendant	2220473003	Metal	Black	5704924010194	-	112
Beau 100 Pendant	2220483003	Metal	Black	5704924010248	-	113
Belly 29 Pendant	45053003	Metal	Black	5701581359581	-	113
Blanche 32 Pendant	2120753035	Metal	Brass	5704924004216	-	77
Blanche 42 Pendant	2120773035	Metal	Brass	5704924004223	-	77
Blanche Floor	2120794035	Metal	Brass	5704924004230	On the fixture	78
Caché Table	2220275003	Marble	Matt black	5704924009990	On the cable	125

<i>Model</i>	<i>Item number</i>	<i>Material</i>	<i>Color</i>	<i>EAN</i>	<i>Switch</i>	<i>Page</i>
Caché Table	2220275010	Marble	Matt grey	5704924010088	On the cable	125
Darci Wall	2120551003	Metal	Black	5704924004247	On the fixture	79
Darci Table	2120565003	Metal	Black	5704924004254	On the fixture	78
Darci Floor	2120584003	Metal	Black	5704924004261	On the cable	79
Fabiola Pendant	2220223003	Metal	Black	5704924009969	-	80
Fabiola Wall	2220231003	Metal	Black	5704924010255	On the base	81
Fabiola Table	2220245003	Metal	Black	5704924010149	On the cable	80
Furiko Wall	2320241003	Metal	Black	5704924014444	On the cable	130
Furiko Wall	2320241035	Metal	Brushed Brass	5704924014437	On the cable	130
Glossy Table	2020505001	Marble	Opal white	5704924001024	On the cable	82
Glossy Table	2020505010	Marble	Grey	5704924009358	On the cable	82
Glossy Pendant	2220313001	Glass	White	5704924009914	-	81
Glossy Floor	2220344001	Glass	White	5704924010118	On the cable	82
Hello Table	2220215003	Metal	Black	5704924010057	On the cable	125
Hello Table	2220215009	Metal	Brown	5704924010125	On the cable	125
Hello Table	2220215010	Metal	Grey	5704924009921	On the cable	125
Hill Pendant	2220103060	Tyvek	White	5704924009945	-	114
Kaito Dim Ceiling	2220506001	Metal	White	5704924011382	-	134
Kaito Dim Ceiling	2220506010	Metal	Grey	5704924011399	-	134
Kaito Pro 30 Ceiling	2220516001	Metal	White	5704924011405	-	134
Kaito Pro 30 Ceiling	2220516003	Metal	Black	5704924011412	-	134
Kaito Pro 40 Ceiling	2220526001	Metal	White	5704924011429	-	135
Kaito Pro 40 Ceiling	2220526003	Metal	Black	5704924011436	-	135
Mademoiselles Table	2220405001	Marble	White	5704924010170	On the base	126
Mademoiselles Table	2220405003	Marble	Black	5704924010163	On the base	126
Maple 55 Pendant	2220293003	Metal	Black	5704924010019	-	115
Maple 55 Pendant	2220293009	Metal	Brown	5704924010262	-	115
MIB Ceiling	2020666001	Metal	White	5704924002427	-	84
MIB Ceiling	2020666003	Metal	Black	5704924002434	-	84
MIB 6 Wall	61681001	Metal	White	5704924000393	On the wall base	85
MIB 6 Wall	61681003	Metal	Black	5704924000409	On the wall base	85
MIB 6 Table	71655001	Metal	White	5701581364080	On the fixture	83
MIB 6 Table	71655003	Metal	Black	5701581364189	On the fixture	83
MIB 6 Pendant	71679901	Metal	White	5701581332485	-	83
MIB 6 Pendant	71679903	Metal	Black	5701581324084	-	83
MIB 6 Floor	71704001	Metal	White	5701581364288	On the fixture	84
MIB 6 Floor	71704003	Metal	Black	5701581364387	On the fixture	84
Mimi 2-Spot Ceiling	2120456001	Metal	White	5704924004315	-	136
Mimi 2-Spot Ceiling	2120456003	Metal	Black	5704924004339	-	136
Mimi 3-Spot Ceiling	2120476001	Metal	White	5704924004322	-	136

<i>Model</i>	<i>Item number</i>	<i>Material</i>	<i>Color</i>	<i>EAN</i>	<i>Switch</i>	<i>Page</i>
Mimi 3-Spot Ceiling	2120476003	Metal	Black	5704924004346	-	136
Navone Pendant	2220433001	Glass	White	5704924010071	-	115
Navone Pendant	2220443001	Glass	White	5704924010132	-	116
Nexus 2.0 Small Pendant	2020563001	Metal	White/Telegrey	5704924002328	-	85
Nexus 2.0 Small Pendant	2020563003	Metal	Black	5704924002335	-	85
Nexus 2 Pendant	2020583001	Metal	White/Telegrey	5704924002342	-	86
Nexus 2 Pendant	2020583003	Metal	Black	5704924002359	-	86
Nexus 2 Wall	2020601001	Metal	White/Telegrey	5704924002366	On the fixture	87
Nexus 2 Wall	2020601003	Metal	Black	5704924002373	On the fixture	87
Nexus 2 Table	2020625001	Metal	White/Telegrey	5704924002380	On the fixture	86
Nexus 2 Table	2020625003	Metal	Black	5704924002397	On the fixture	86
Nexus 2 Floor	2020644001	Metal	White/Telegrey	5704924002403	On the fixture	87
Nexus 2 Floor	2020644003	Metal	Black	5704924002410	On the fixture	87
Nobu Table	2120405003	Metal	Black	5704924000942	On the fixture	126
Nobu Table	2120405010	Metal	Grey	5704924000959	On the fixture	126
Nomi Pendant	2220163003	Metal	Black	5704924013652	-	88
Nomi Wall	2220171003	Metal	Black	5704924009952	On the fixture	88
Nomi Floor	2220194003	Metal	Black	5704924010231	On the fixture	89
Nono 23,5 Pendant	2120503001	Metal	White	5704924004285	-	116
Nono 23,5 Pendant	2120503003	Metal	Black	5704924004308	-	116
Nono 49 Pendant	2120523001	Metal	White	5704924004278	-	117
Nono 49 Pendant	2120523003	Metal	Black	5704924004292	-	117
Norbi 30 Pendant	2220123003	Metal	Black	5704924010279	-	117
Norbi 40 Pendant	2220133003	Metal	Black	5704924009938	-	118
Nori 18 Pendant	2120803001	Metal	White	5704924005770	-	118
Nori 18 Pendant	2120803003	Metal	Black	5704924006470	-	118
Nori 18 Pendant	2120803030	Metal	Copper	5704924005787	-	118
Nori 18 Pendant	2120803032	Metal	Brushed steel	5704924005794	-	118
Nori 27 Pendant	2120813001	Metal	White	5704924005800	-	119
Nori 27 Pendant	2120813003	Metal	Black	5704924006487	-	119
Nori 27 Pendant	2120813030	Metal	Copper	5704924005817	-	119
Nori 27 Pendant	2120813032	Metal	Brushed steel	5704924005824	-	119
Nori 39 Pendant	2120823001	Metal	White	5704924006494	-	120
Nori 39 Pendant	2120823003	Metal	Black	5704924006500	-	120
Nori 39 Pendant	2120823030	Metal	Copper	5704924005831	-	120
Nori 39 Pendant	2120823032	Metal	Brushed steel	5704924005848	-	120
Nori 18 Pendant	2120843001	Glass	White	5704924006517	-	119
Nori 18 Pendant	2120843047	Glass	Smoked	5704924006524	-	119
Nori 27 Pendant	2120853001	Glass	White	5704924006531	-	120
Nori 27 Pendant	2120853047	Glass	Smoked	5704924006548	-	120

<i>Model</i>	<i>Item number</i>	<i>Material</i>	<i>Color</i>	<i>EAN</i>	<i>Switch</i>	<i>Page</i>
Pure 20 Pendant	43293001	Metal	White	5701581394780	-	90
Pure 20 Pendant	43293003	Metal	Black	5701581394889	-	90
Pure 20 Pendant	43293010	Metal	Grey	5701581394988	-	90
Pure Wall	78271001	Metal	White	5701581308282	On the fixture	90
Pure Wall	78271003	Metal	Black	5701581308381	On the fixture	90
Pure Wall	78271011	Metal	Grey	5701581308480	On the fixture	90
Pure Pendant	78283001	Metal	White	5701581264489	-	89
Pure Pendant	78283003	Metal	Black	5701581264588	-	89
Pure Pendant	78283011	Metal	Grey	5701581264687	-	89
Rochelle Pendant	2320283003	Metal	Black	5704924014505	-	91
Rochelle Wall	2320301003	Metal	Black	5704924015410	On the base	91
Rochelle Floor	2320314003	Metal	Black	5704924015427	On the cable	92
Shapes 22 Pendant	2120013035	Glass	Brass	5704924004070	-	92
Shapes 27 Pendant	2120023035	Glass	Brass	5704924004087	-	93
Shapes Table	2120055035	Glass	Brass	5704924004094	On the cable	93
Shapes Floor	2120074035	Glass	Brass	5704924004100	On the cable	94
Shapes Wall	2320321035	Glass	Brass	5704924014512	On the cable	94
Spargo Wall	2320361001	Metal	White/Brass	5704924014543	On the cable	130
Spargo Wall	2320361003	Metal	Black/Brass	5704924014550	On the cable	130
Stay Long Table	2020445003	Aluminium	Black	5704924000966	On the fixture	96
Stay Long Table	2020445010	Aluminium	Grey	5704924000973	On the fixture	96
Stay Wall	2020455003	Aluminium	Black	5704924000980	On the fixture	97
Stay Wall	2020455010	Aluminium	Grey	5704924000997	On the fixture	97
Stay Floor	2020464003	Aluminium	Black	5704924001000	On the fixture	98
Stay Floor	2020464010	Aluminium	Grey	5704924001017	On the fixture	98
Stay 3-Spot Pendant	2120703003	Aluminium	Black	5704924004193	-	95
Stay 3-Spot Pendant	2120703010	Aluminium	Grey	5704924004209	-	95
Stay Wall	2220381003	Aluminium	Black	5704924010156	On the fixture	96
Stay Wall	2220381010	Aluminium	Grey	5704924010064	On the fixture	96
Stay Wall	48171003	Aluminium	Black	5701581455184	On the fixture	97
Stay Wall	48171010	Aluminium	Grey	5701581455085	On the fixture	97
Stay Table	48185003	Aluminium	Black	5701581455382	On the fixture	95
Stay Table	48185010	Aluminium	Grey	5701581455283	On the fixture	95
Strap 16 9G Pendant	2020013001	Glass	Opal white	5704924000379	-	98
Strap 16 9G Table	2020025001	Glass	Brushed steel	5704924000386	On the cable	99
Strap To Go Battery light	46195001	Plastic	White/Black	5701581452480	On the base	100
Strap Table	46205001	Metal	White	5701581397088	On the bulb base	99
Strap Table	46205003	Metal	Black	5701581397187	On the bulb base	99
Strap Floor	46234001	Metal	White	5701581397286	On the fixture	101
Strap Floor	46234003	Metal	Black	5701581397385	On the fixture	101

<i>Model</i>	<i>Item number</i>	<i>Material</i>	<i>Color</i>	<i>EAN</i>	<i>Switch</i>	<i>Page</i>
Strap 15 Wall	84291001	Metal	White	5701581364684	On the fixture	100
Strap 15 Wall	84291003	Metal	Black	5701581364783	On the fixture	100
Strap 16 Pendant	84303001	Metal	White	5701581364882	-	101
Strap 16 Pendant	84303003	Metal	Black	5701581364981	-	101
Strap 27 Pendant	84313001	Glass	Opal white	5701581337688	-	102
Strap 27 Pendant	84333001	Metal	White	5701581337787	-	102
Strap 27 Pendant	84333003	Metal	Black	5701581337886	-	102
Strap 27 Pendant	84333009	Metal	Beige	5701581485389	-	102
Strap 36 Pendant	84343001	Metal	White	5701581338180	-	102
Strap 36 Pendant	84343003	Metal	Black	5701581338289	-	102
Strap 36 Pendant	84343009	Metal	Beige	5701581485488	-	102
Strap 48 Pendant	84353001	Metal	White	5701581338586	-	103
Strap 48 Pendant	84353003	Metal	Black	5701581338685	-	103
Strap 48 Pendant	84353009	Metal	Beige	5701581485587	-	103
Strap 68 Pendant	84363003	Metal	Black	5701581400689	-	103
Taido Table	2320375018	Metal	Brown	5704924014567	On the cable	127
Taido Table	2320375033	Metal	Chrome	5704924014574	On the cable	127
Takai Pendant	2320403018	Textile	Beige	5704924015441	-	104
Takai Wall	2320421018	Textile	Beige	5704924015458	On the fixture	104
Takai Table	2320445018	Textile	Beige	5704924014581	On the fixture	105
Tullio Pendant	2220033001	Metal	White	5704924010316	-	114
Tullio Pendant	2220033003	Metal	Black	5704924009976	-	114
Versale Pendant	2220053001	Metal	White	5704924009907	-	105
Versale Pendant	2220053003	Metal	Black	5704924010026	-	105
Versale Pendant	2220053009	Metal	Brown	5704924010309	-	105
Versale Floor	2220064001	Metal	White	5704924010286	On the cable	106
Versale Floor	2220064003	Metal	Black	5704924010224	On the cable	106
Versale Table	2220075001	Metal	White	5704924010293	On the cable	106
Versale Table	2220075003	Metal	Black	5704924010101	On the cable	106

nordlux®



Carlos Teixeira
Sales Manager Portugal
ct@nordlux.com
T +351 917563792

Nordlux A/S
Østre Havnegade 34
9000 Aalborg, Denmark
+45 96 34 54 28
export@nordlux.com
www.nordlux.com

Energetic Lighting Europe NV
Mouterij 14
2550 Kontich, Belgium

Showroom & Headquarters

Østre Havnegade 34
DK 9000 Aalborg
T + 45 98 18 16 11
nordlux@nordlux.com
nordlux.com

Benelux Office & Showroom

Mouterij 14
BE-2550 Kontich
T +32 (0)15 25 76 40
info@nordlux.com

Portugal

T +32 (0)15 25 76 40
info@nordlux.com

France

T +33 320 479 346
france@nordlux.com

Germany

T +49 (0) 21 52 89 87 37
F +49 (0) 21 52 14 85 54
germany@nordlux.com

Norway

T +47 51 88 63 18
norway@nordlux.com

Sweden

+46 (0)52-64 56 110
sweden@nordlux.com

UK & Eire

T +44 (0) 12 00 42 27 77
salesuk@nordlux.com

Der tages forbehold for ændringer m.h.t. tekniske specifikationer, design og collistørrelser.

Vi förbehåller oss för ändring med hänsyn till tekniske specifikationer, design och collistorlek.

We reserve the right to changes as to technical specifications, design and number of packages.

Wir nehmen Vorbehalt für Änderungen bezgl. technischer Spezifikationen, Design und Verpackungseinheiten.

Nous nous réservons le droit de modifier toute documentation technique, design et colisage.

We behouden ons het recht om technische specificaties, ontwerp en verpakkingsaantal te wijzigen zonder voorafgaande kennisgeving.

nordlux.com
instagram @nordlux
pinterest @nordlux

